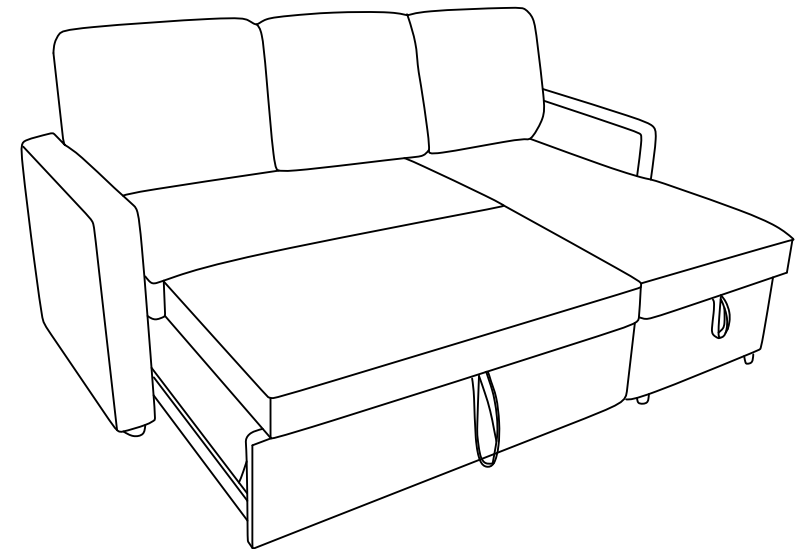
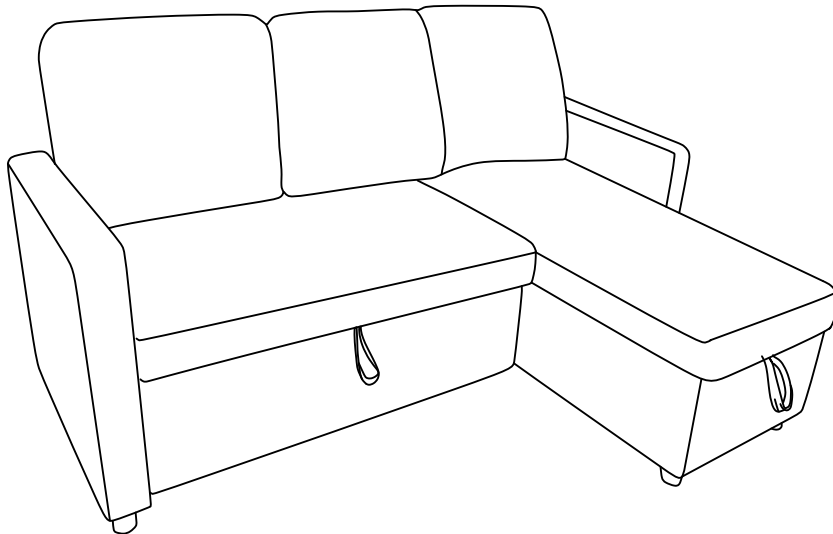


ASSEMBLY INSTRUCTION FOR ACME FURNITURE

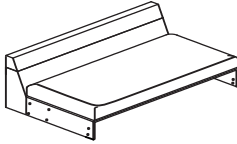
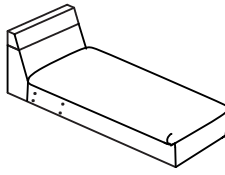
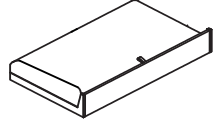
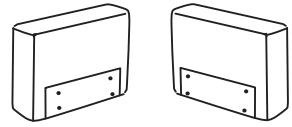
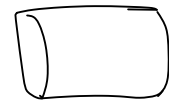
MODEL# 52300SOF, 52301CHA 2 Seat sofa + Chaise W/storage

Thank you for purchasing this quality product. Be sure to check all packing material carefully for small parts which may have come loose inside the carton during shipment. Separate, identify and count all parts and metal hardware. Compare with parts list to be sure all parts are present. If any part(s) are missing or damaged, please contact your local furniture dealer. For efficient and speedy service, please indicate the model number and code letter of part(s) needed.

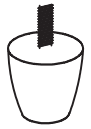
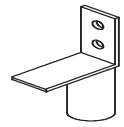

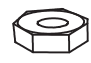






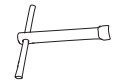


***** Do not fully tighten screws until fully assembled *****



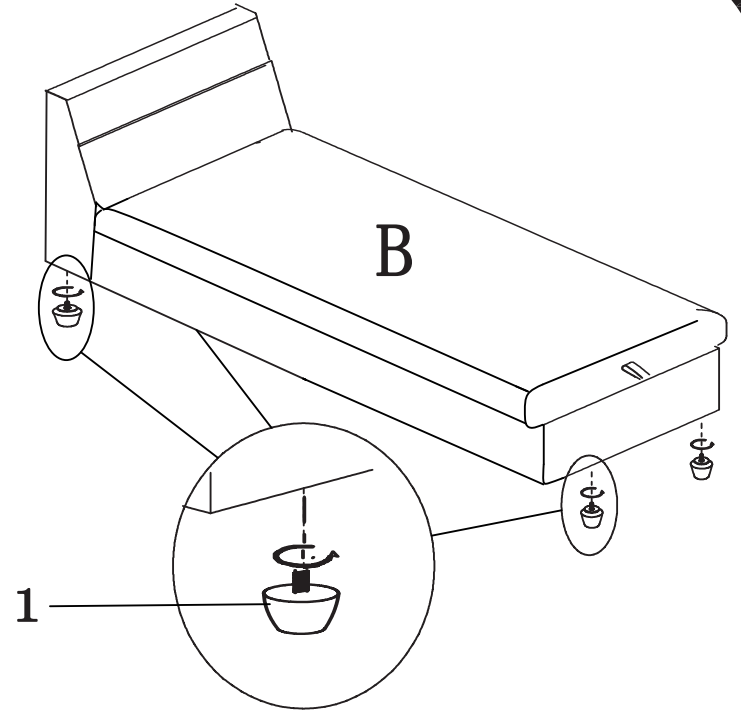
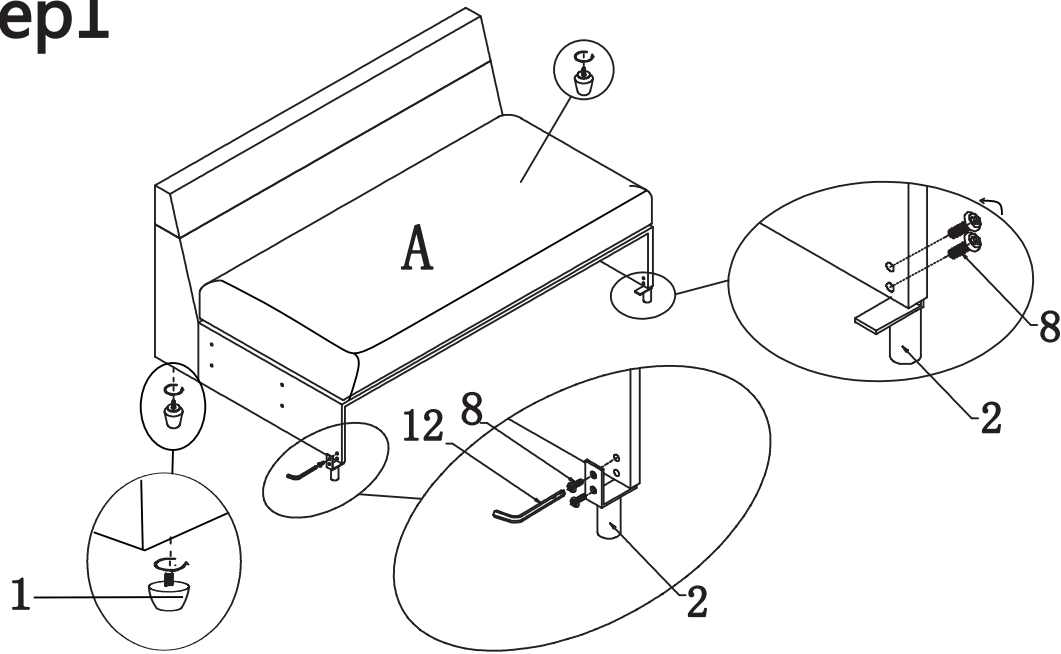
Parts List

<p>A</p>  <p>Sofa Body x1</p>	<p>B</p>  <p>Storage Body x1</p>	<p>C</p>  <p>Drawer Seat x1</p>	<p>DL DR</p>  <p>Armrest x2</p>	<p>E</p>  <p>Backrest Cushion x3</p>
---	--	---	---	--

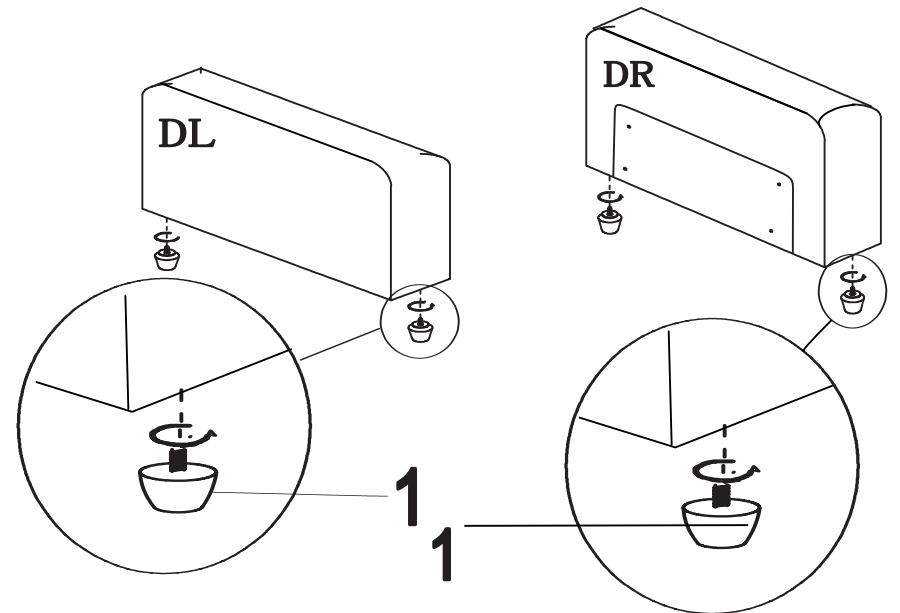
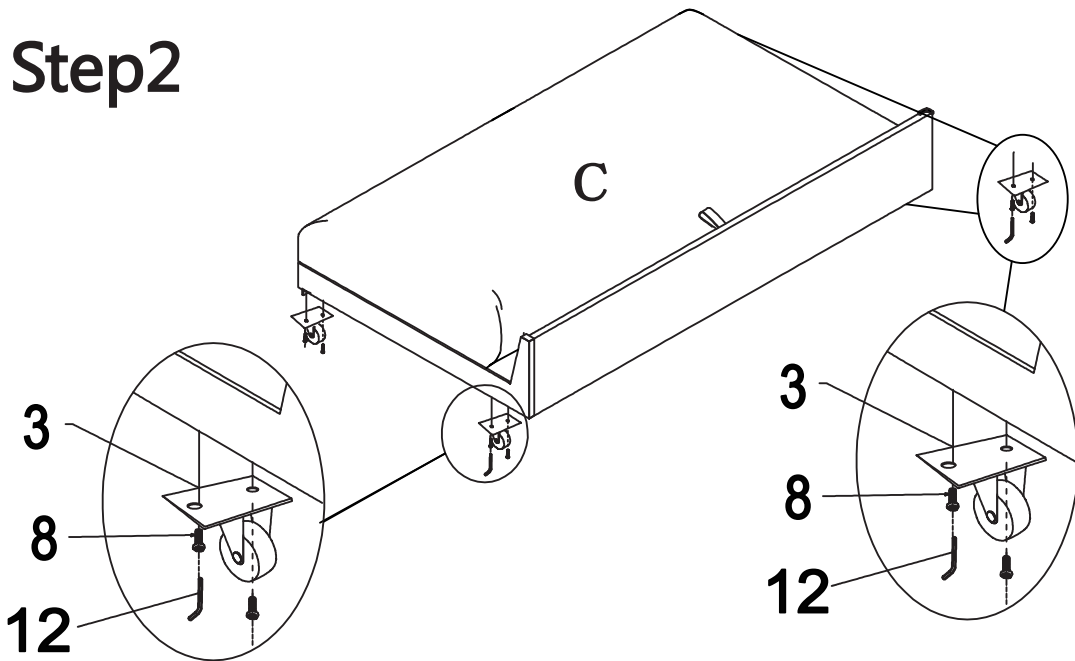
Hardware List

<p>1</p>  <p>Plastic Feet x10</p>	<p>2</p>  <p>Type Feet x2</p>	<p>3</p>  <p>Wheel x4</p>	<p>4</p>  <p>Nut x4</p> <p>5</p>  <p>Bolt x4</p>	<p>6</p>  <p>Washer x16</p> <p>7</p>  <p>Spring Washer x16</p>
	<p>8</p>  <p>Bolt x12</p> <p>9</p>  <p>Bolt cap x4</p>	<p>10</p>  <p>Bolt x8</p> <p>11</p>  <p>Nut sleeve M5 x1</p>	<p>12</p>  <p>Wrench M4 x1</p> <p>13</p>  <p>Wrench M5 x1</p>	

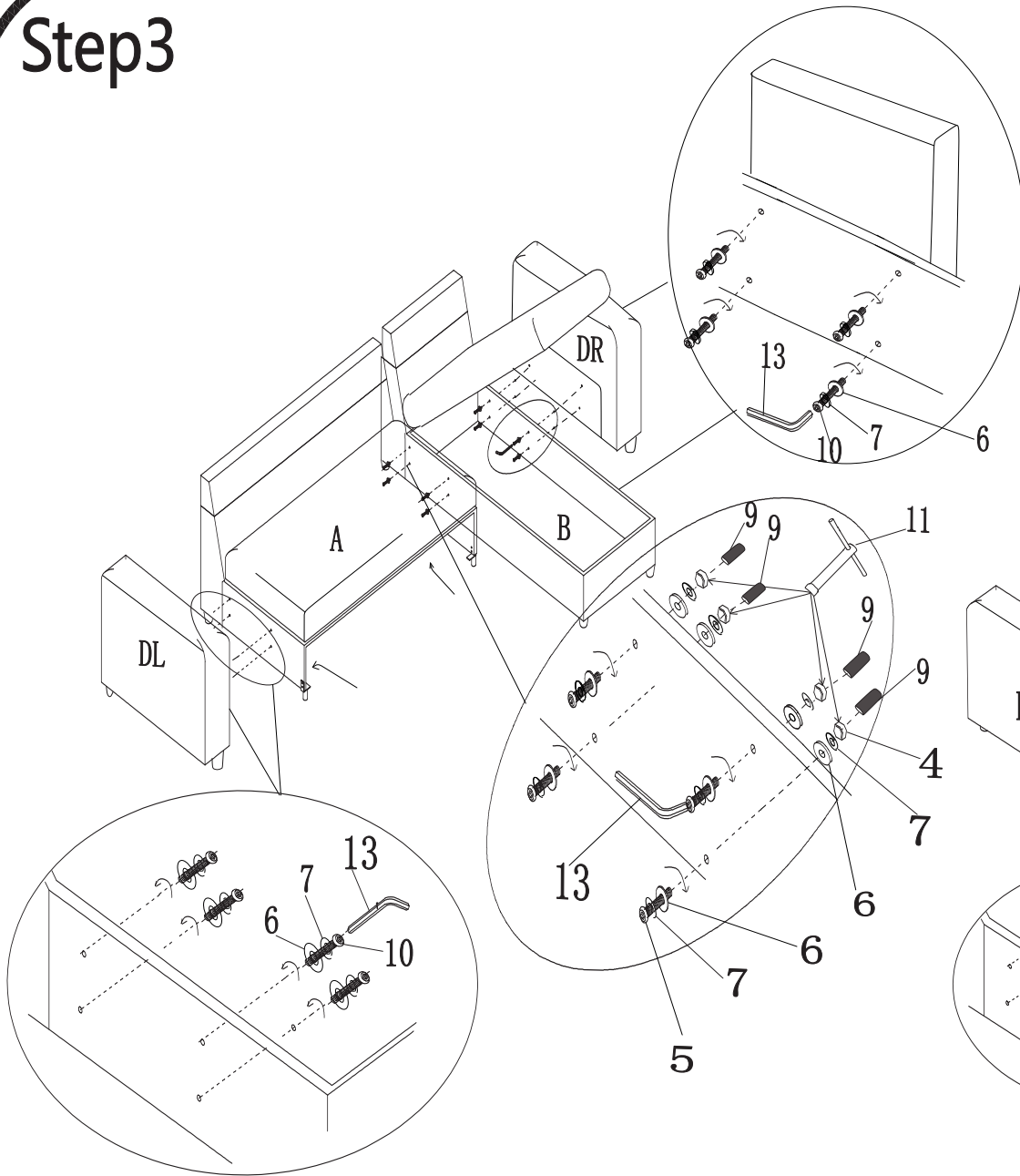
Step1



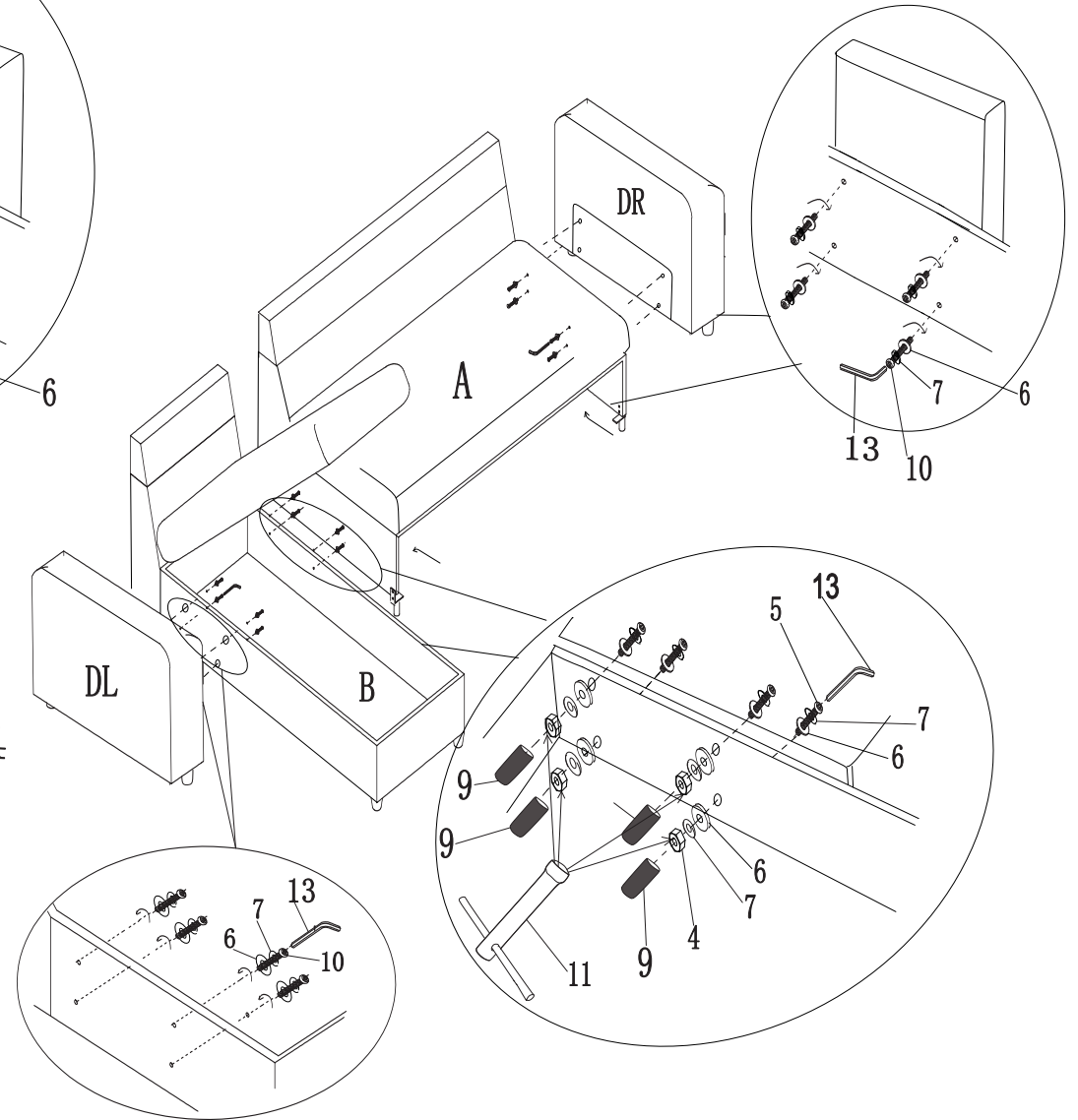
Step2



Step3

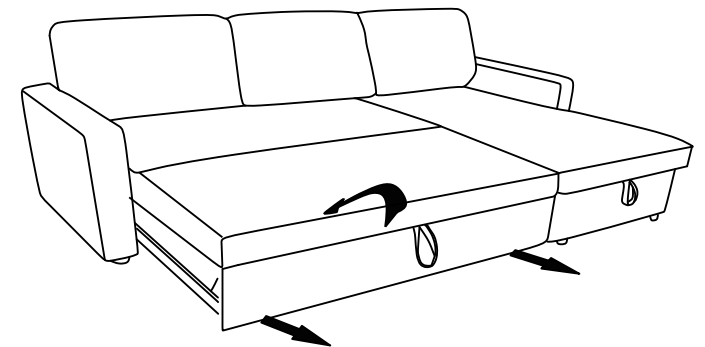
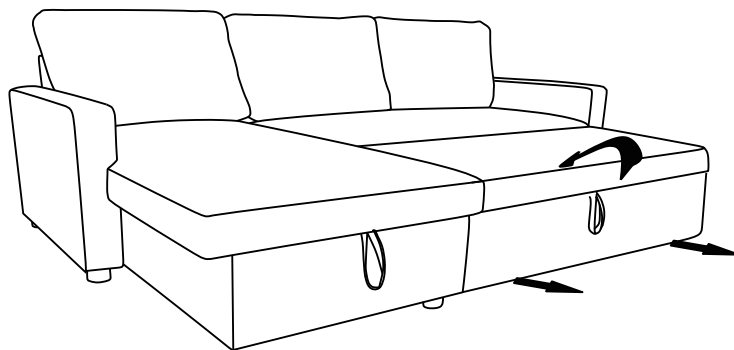
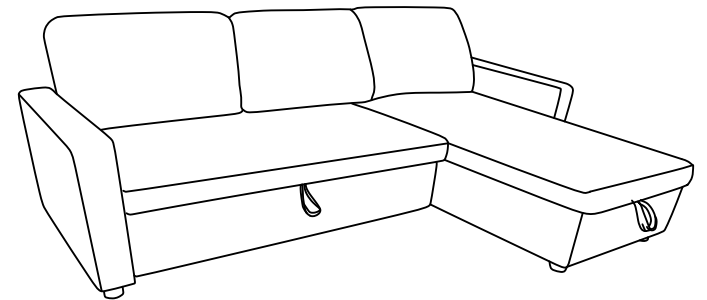
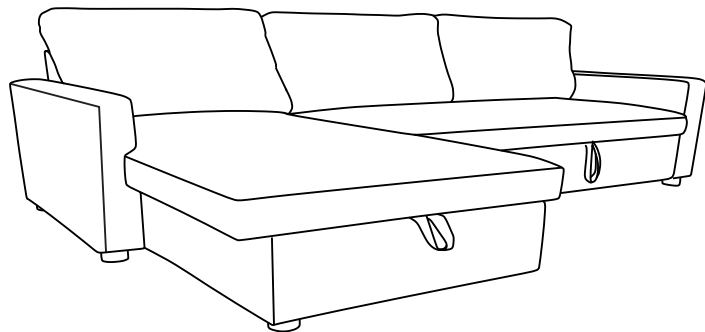
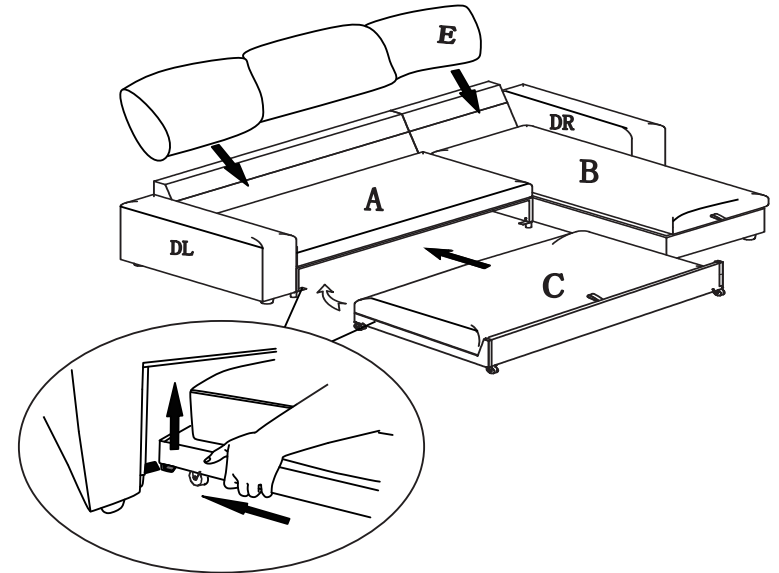
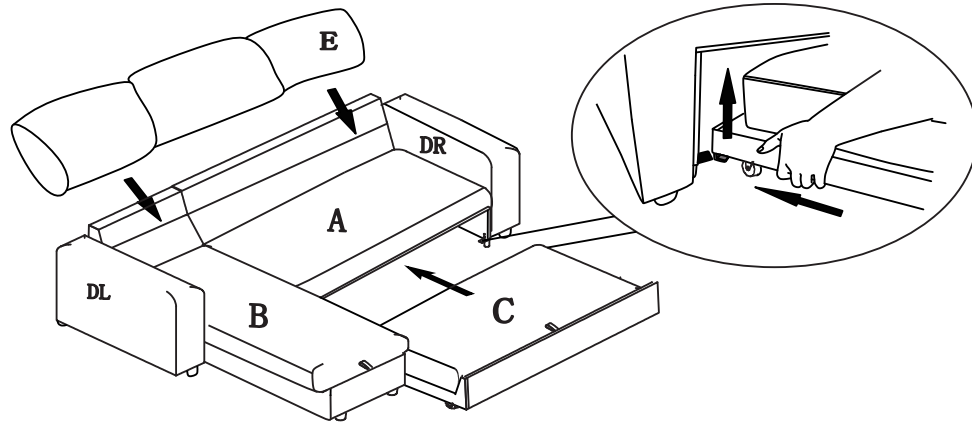


Composite mode 1



Composite mode 2

Step4



Composite mode 1

Composite mode 2