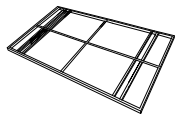
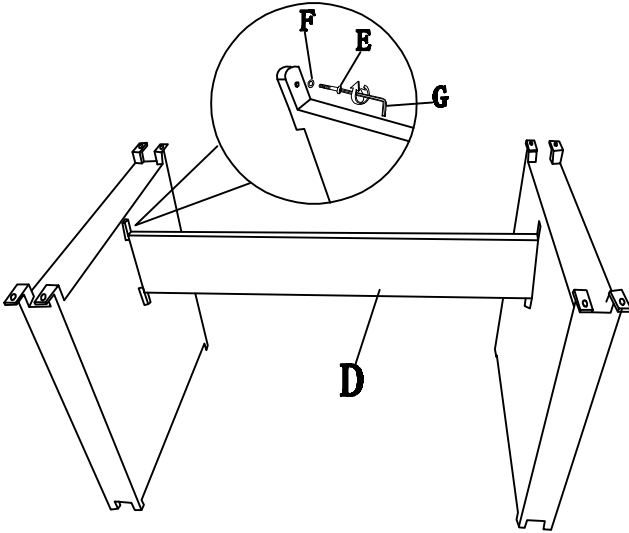


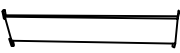




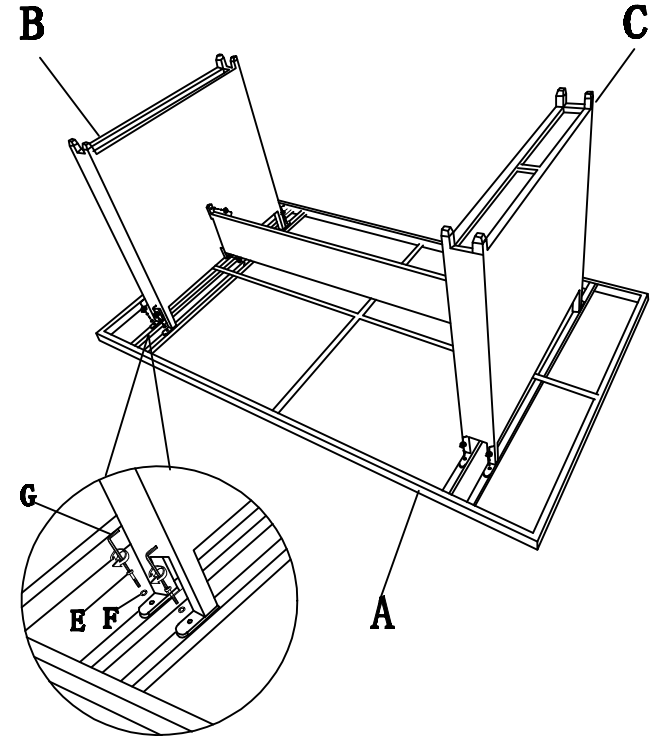


ACME

ITEM NO.45070

| | PARTNAME | QTY | | |
|---|--|-------|---|--|
| A |  | 1pc |  | |
| B |  | 1pc | | |
| C |  | 1pc | | |
| D |  | 1pc | | |
| E |  M6*20 | 12pcs | | |
| F |  | 12pcs | | |
| G |  | 1pc | | |
| H |  | 1pc | | |



1/2

