

\*\*\*\*\*

# ASSEMBLY INSTRUCTIONS

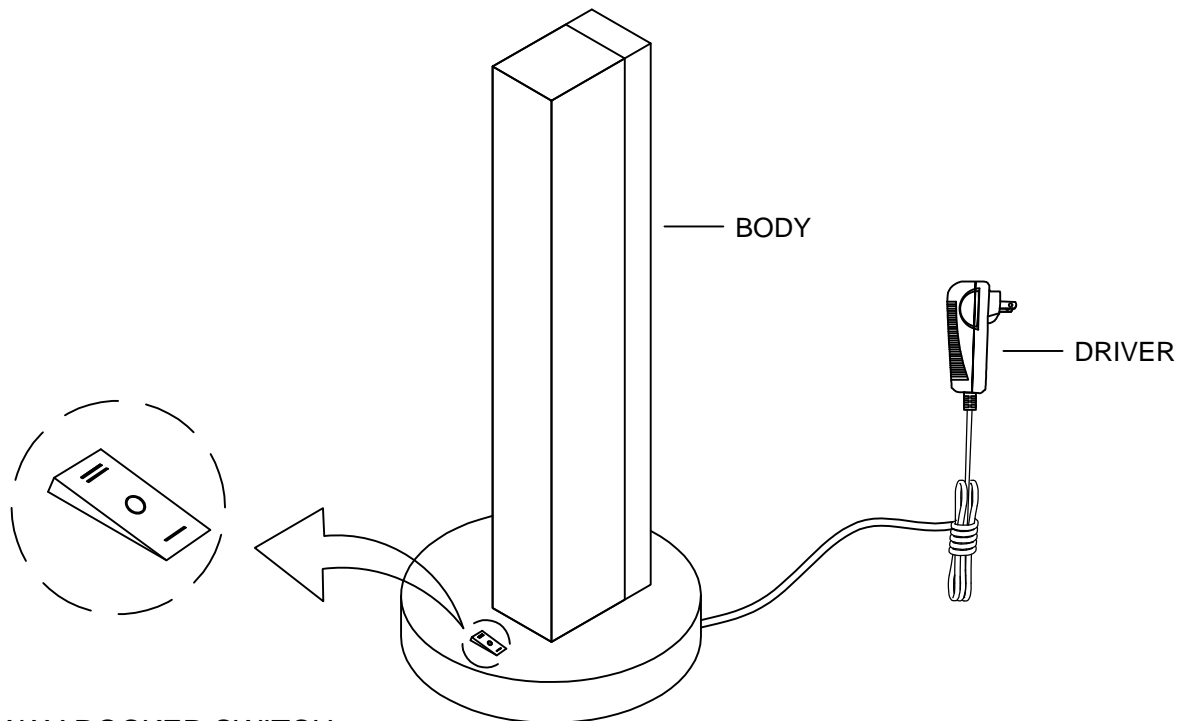
\*\*\*\*\*

## MODEL ITEM #40363

STEP1.TAKE OUT LAMP PARTS FROM THE PACKAGE SLOWLY,PLACE THEM ON SMOOTH AND LEVEL SURFACE.

STEP2.REMOVE THE VINYL DUST PROTECTED FILM FROM THE BODY.

STEP3.INSERT THE PLUG OF THE DRIVER TO POWER SUPPLY.



### 3-WAY ROCKER SWITCH

(Turn to the "I" or "II" to choose bright white color light or warm white color light ,  
Turn to "O" to turn power off.)