

\*\*\*\*\*

# ASSEMBLY INSTRUCTIONS

\*\*\*\*\*

## MODEL ITEM #40344

STEP 1. TAKE OUT LAMP PARTS FROM THE PACKAGE SLOWLY, PLACE THEM ON SMOOTH AND LEVEL SURFACE.

STEP 2. PLACE HARP INTO THE SADDLE .

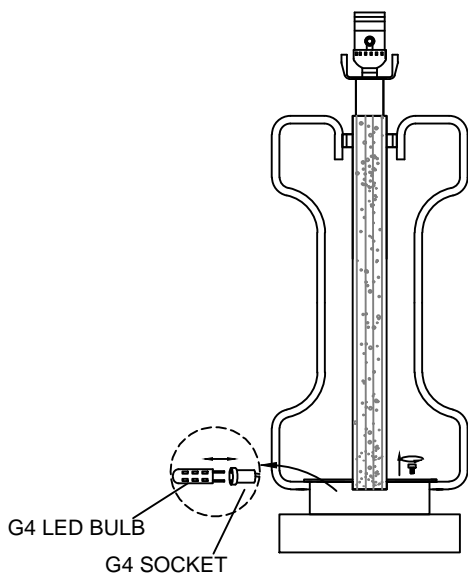
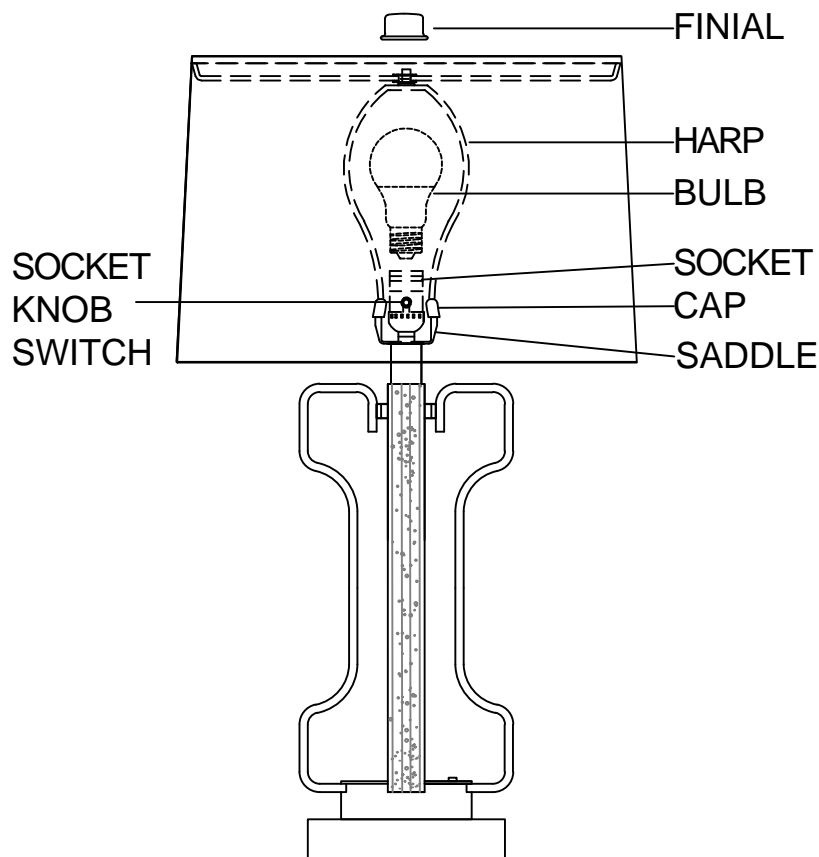
STEP 3. SLIDE DOWN CAPS (BOTH SIDES) TO JOINT HARP AND SADDLE BY TIGHT PRESS FIT.

STEP 4. REMOVE THE PLASTIC DUST PROTECTOR FROM THE SHADE.

STEP 5. PLACE THE SHADE ON THE HARP AND FASTEN THE FINIAL ON THE TOP OF THE SHADE.

STEP 6. ALIGN AND INSTALL THE BULB TO THE SOCKET.

STEP 7. INSERT THE POLARIZED PLUG INTO AN OUTLET, TURN ON AND ENJOY THE NEW LAMP.



### How to replace the LED night light bulb

1. Turn the power off .
2. Unscrew the handscrews, then lift the cover.
3. Remove the G4 LED bulb from the G4 socket and insert a new G4 LED bulb.
4. Install the cover and screws.