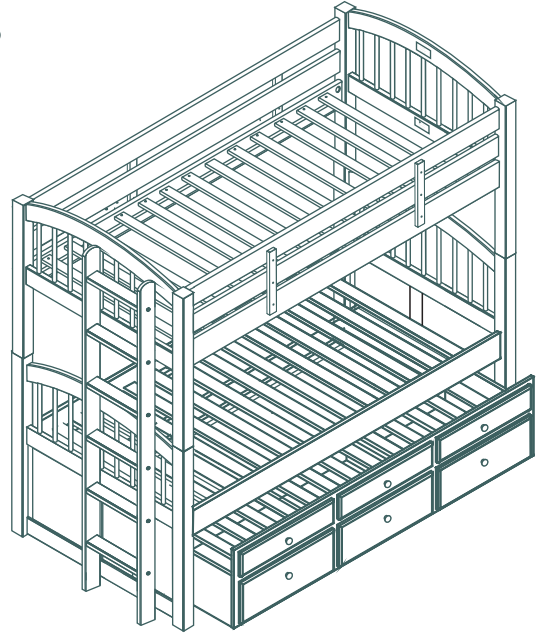


# ASSEMBLY INSTRUCTIONS

## 40000 TRIPLEX BUNK BED

Color: ESPRESSO

Thank you for purchasing this quality product. Be sure to check all packing materials carefully for small parts which may have come loose inside the carton during shipment. Separate, identify and count all parts and hardware. Compare with the parts list to be sure all parts are present.



**“DO NOT TIGHTEN SCREWS  
UNTIL COMPLETELY ASSEMBLED”**

### **SIZE OF MATTRESS AND FOUNDATION (SUPPORT)**

This bed is designed to use a twin mattress (  $37\frac{1}{2}$ " -  $38\frac{1}{2}$ " x 74" - 75") and bunkie board (  $37\frac{1}{2}$ " x 74"). The total thickness must not exceed 9" inches. Do not use mattress without the proper bunkie board or safe foundation.

*Note:* There must be at least 5" inches from top surface of mattress to top edge or guardrails.

### **REPLACEMENT PARTS.**

Replacement parts, including additional guardrails, may be obtained from place of purchase of original distributor.

TO OBTAIN PARTS, PLEASE CONTACT: **ACME FURNITURE INC., CITY OF INDUSTRY, CA**

## **SAFETY WARNINGS!**

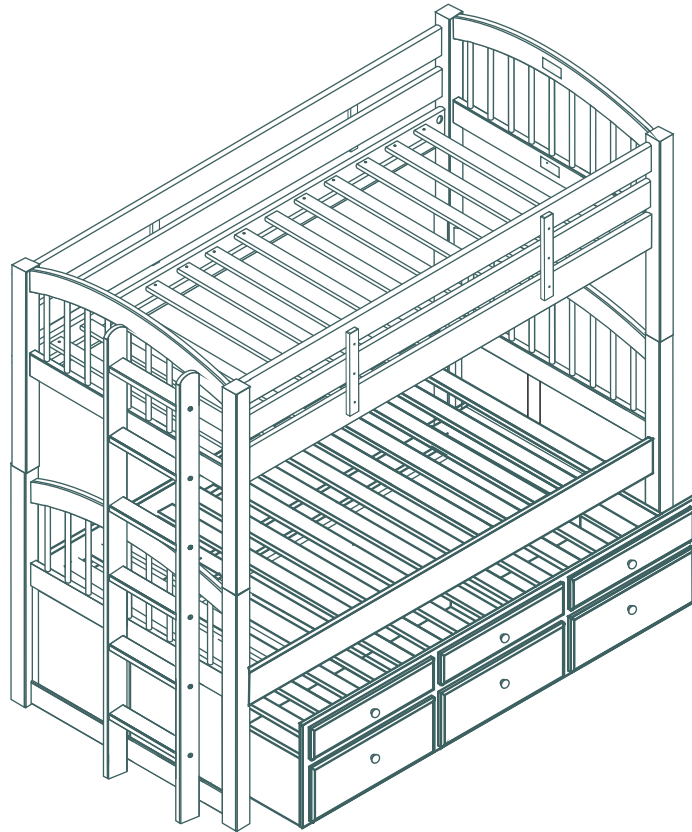
- 1- Follow the information on the warning label appearing on the upper bunk end structure and on the carton. Do not remove warning label from bed.
- 2- Always use the recommended size mattress or mattress support, or both, to help prevent the likelihood of entrapment or falls.
- 3- Surface of mattress must be at least 5" inches below the upper edge of guardrails.
- 4- Do not allow children under 6 years of age to use the upper bunk.
- 5- Prohibit more than one person on upper bunk.
- 6- Periodically check and ensure that the guardrail, ladder and other components are in their proper position, free from damage, and that all connectors are tight.
- 7- Do not allow horseplay on or under the bed and prohibit jumping on the bed.
- 8- Always use the ladder for entering and leaving the upper bunk.
- 9- Do not use substitute parts. Contact distributor or dealer for replacement parts.
- 10- Use of a night light may provide added safety precaution for a child using the upper bunk.
- 11- If the bunk bed will be placed next to a wall, the guardrail that runs the full length of the bed should be placed against the wall to prevent entrapment between the bed and the wall.
- 12- Always use guardrails on both long sides of the upper bunk.
- 13- The use of water or sleep flotation mattresses is prohibited.
- 14- Keep these instructions for future reference.
- 15- Strangulation Hazard - Never attach or hang items to any part of the bunk bed that are not designed for use with the bed: for example, but not limited to, hooks, belts, and jump ropes, etc.



**IMPORTANT: PLEASE READ INSTRUCTIONS BEFORE STARTING THE ASSEMBLY**

# ASSEMBLY INSTRUCTIONS

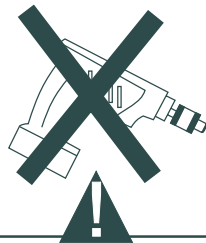
## 40000 TRIPLEX BUNK BED



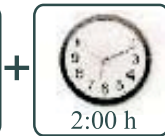
Thank you for purchasing this quality product. Be sure to check all packing material carefully for small parts which may have come loose inside the carton during shipment. Separate, identify and count all parts and hardware.

Compare with the parts list to be sure all parts are present.

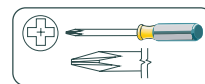
**“DO NOT TIGHTEN SCREWS UNTIL COMPLETELY ASSEMBLED”**



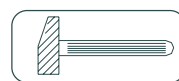
\* Use of power tool to assemble this product will invalidate any claim and damage this product making unsafe !!!  
\* Please assemble on a clean soft surface to avoid damage.



### Tools Required



(Not included)



(Not included)

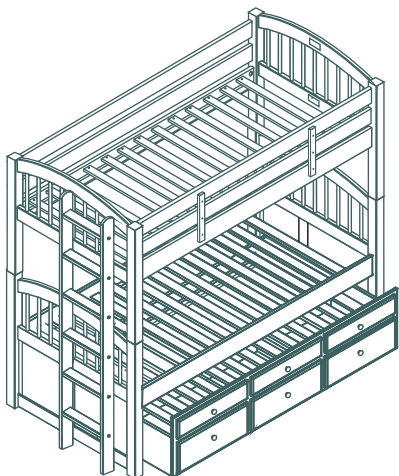
### IMPORTANT:

**PLEASE READ INSTRUCTION BEFORE STARTING THE ASSEMBLY**

# ACME FURNITURE

## ASSEMBLY INSTRUCTIONS

**40000 TRIPLEX BUNK BED**  
**COLOR : ESPRESSO**



### Tools Required

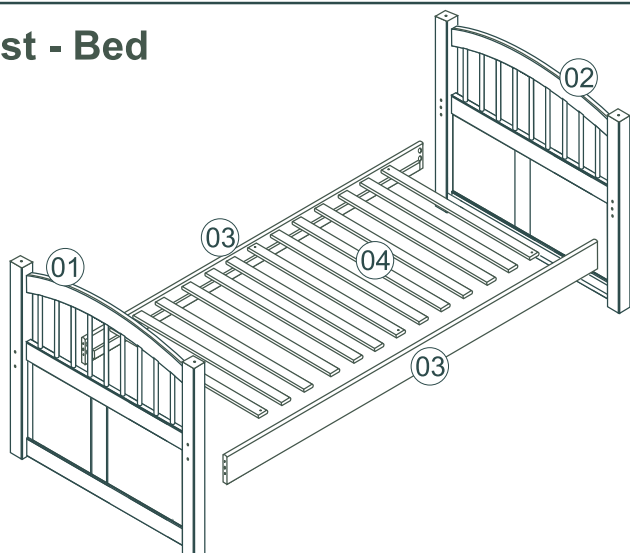


(Not included)

**Identifying the Hardware/part list-** Identify the hardware using the illustrations below.

<b>A</b>	<b>B</b>	<b>C</b>
<b>D</b>	<b>E</b>	<b>F</b>
<b>G</b>	<b>H</b>	<b>I</b>
<b>J</b>	<b>K</b>	<b>L</b>
<b>M</b>	<b>N</b>	<b>O</b>
<b>P</b>	<b>Q</b>	<b>R</b>
		<b>S</b>
		<b>T</b>

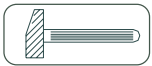
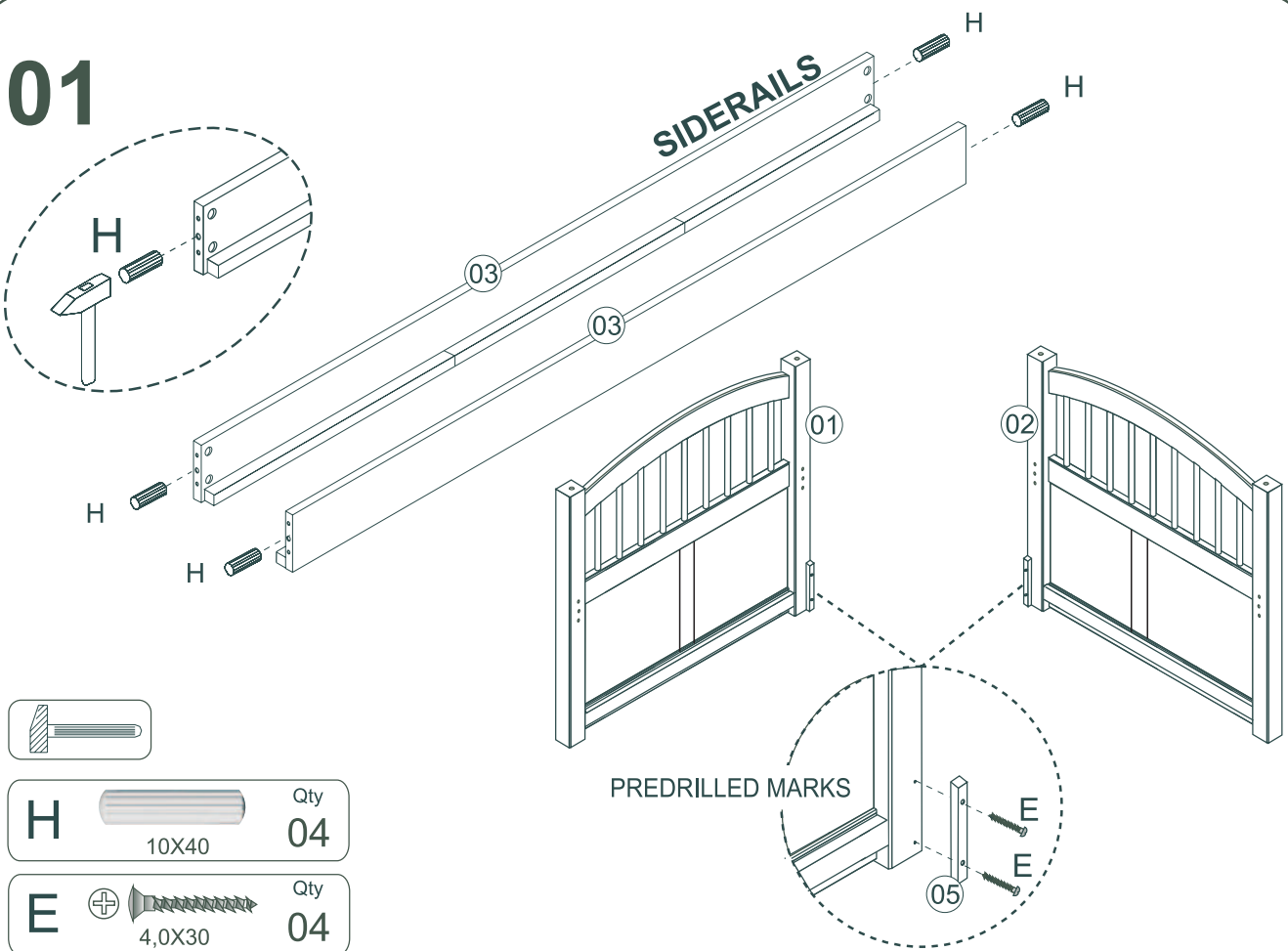
### Part List - Bed



**S**

**T**

# 01



**H** Qty 04  
10X40

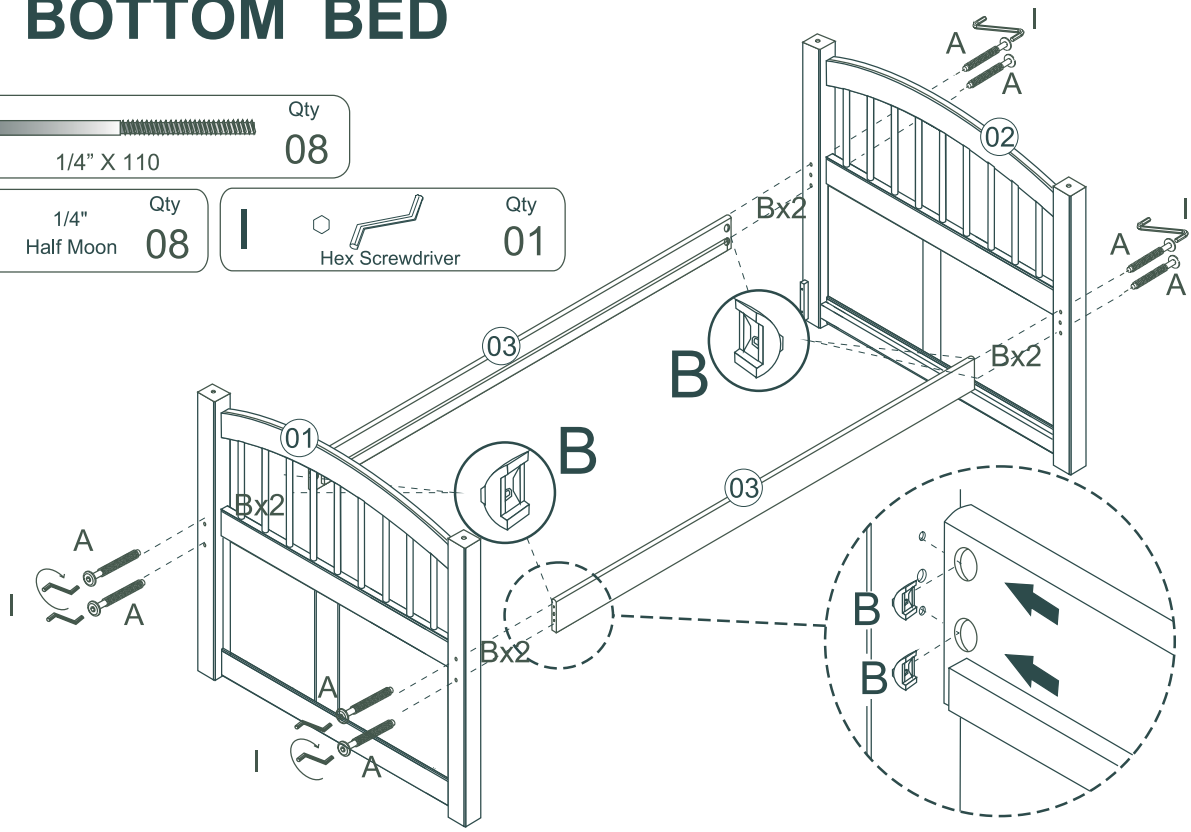
**E** Qty 04  
4,0X30

# 02 BOTTOM BED

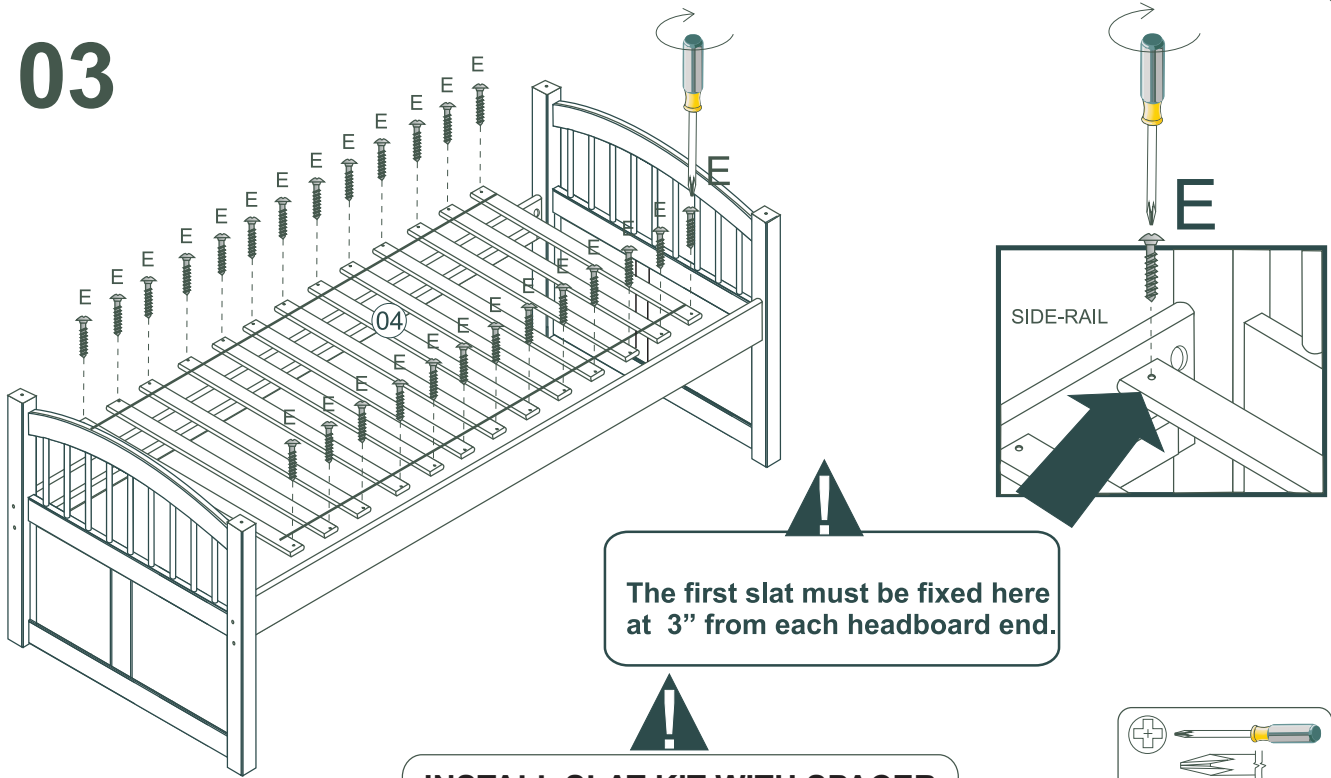
**A** Qty 08  
1/4" X 110

**B** Qty 08  
1/4" Half Moon

**I** Qty 01  
Hex Screwdriver

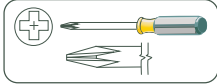


# 03



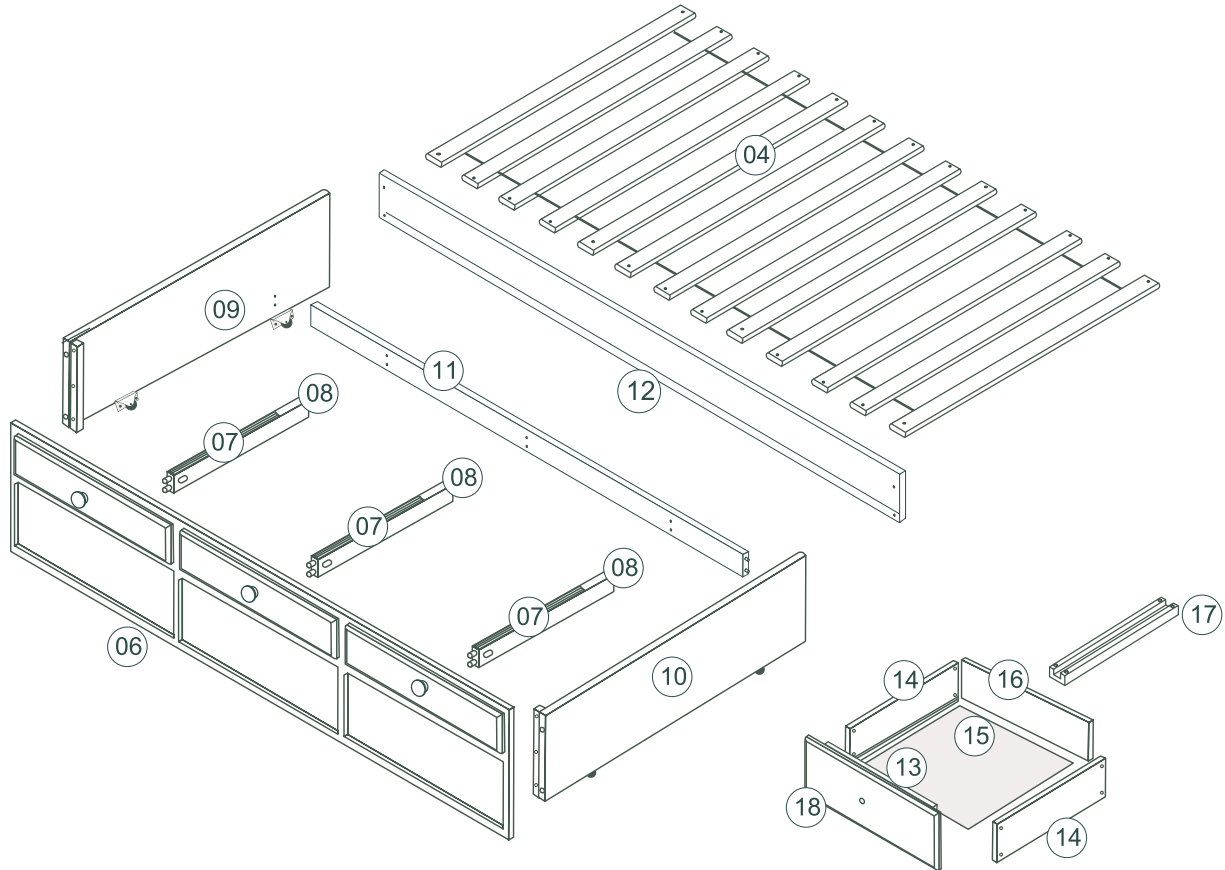
**The first slat must be fixed here at 3" from each headboard end.**

**INSTALL SLAT KIT WITH SPACER TAPE ON TOP (FACING UP).**



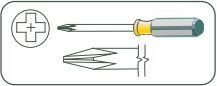
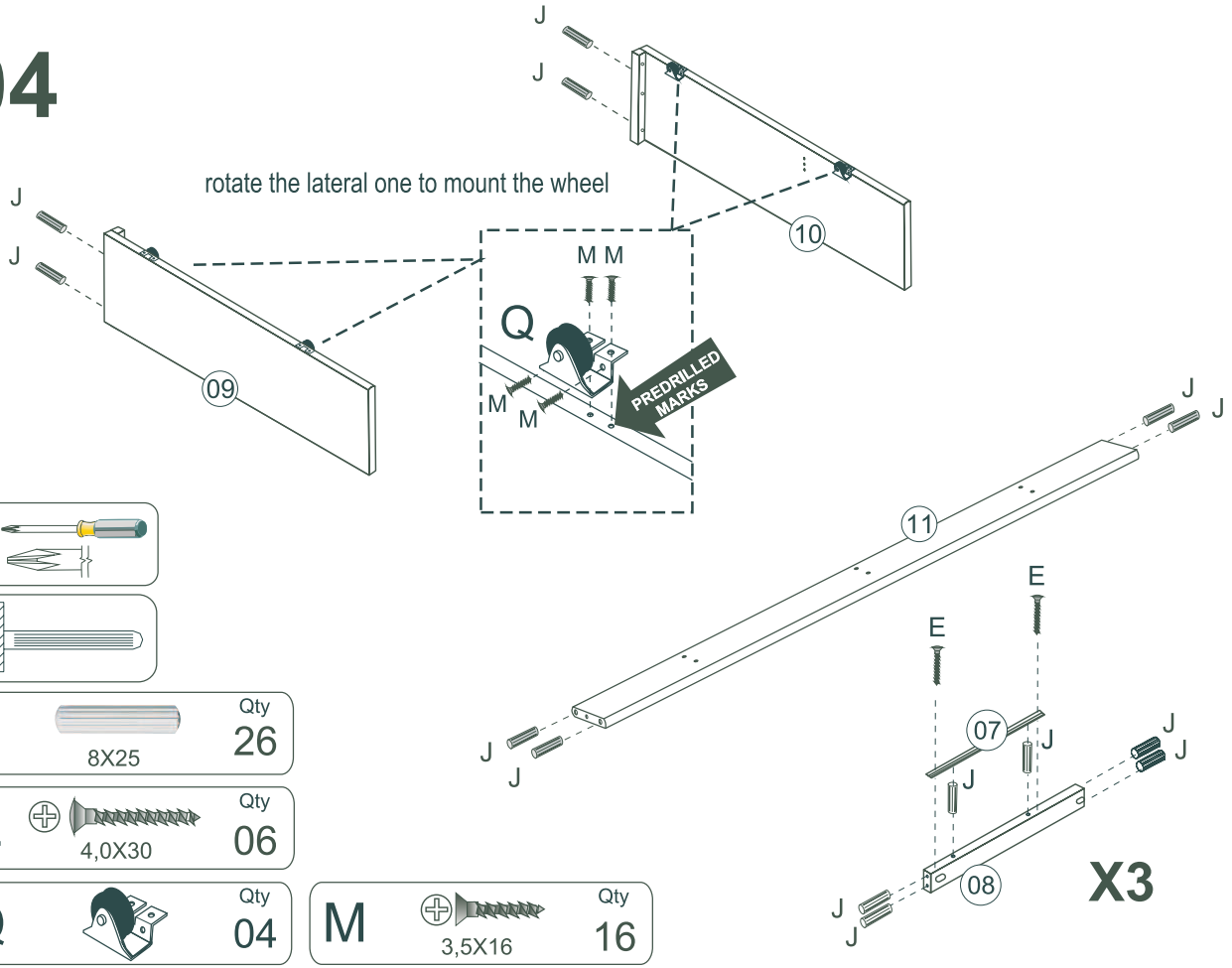
<b>E</b>		Qty
	4,0X30	<b>26</b>

## Part List - Trundle



**X3**

# 04



J		Qty
	8X25	26

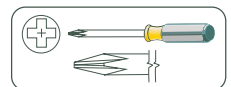
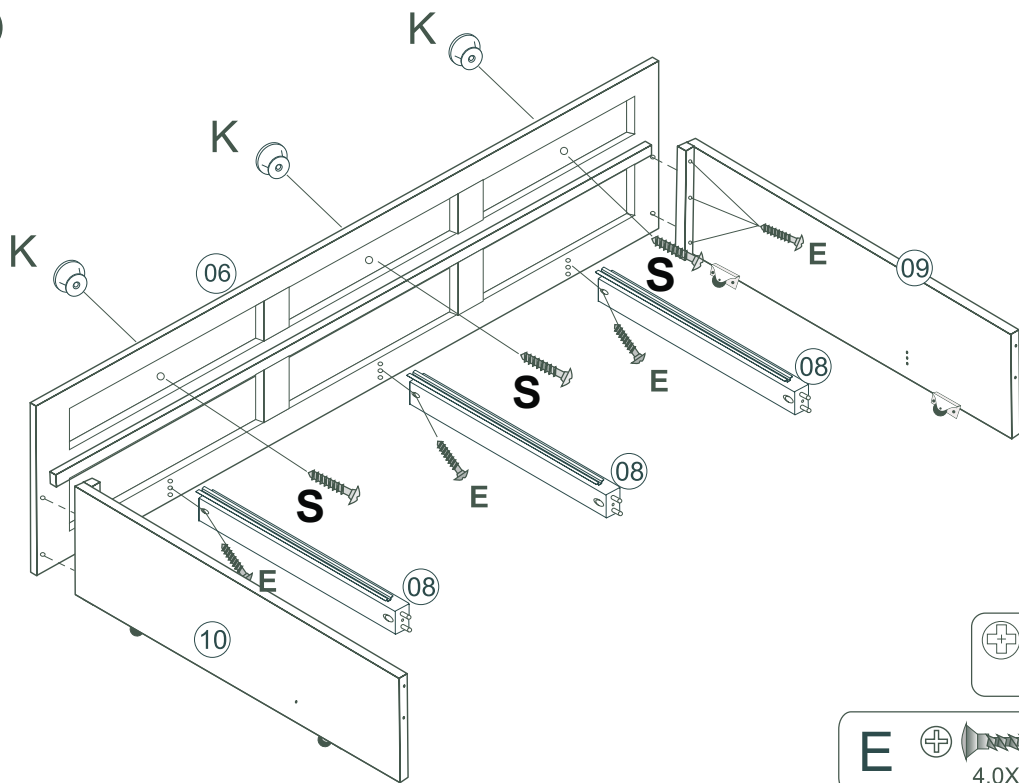
E		Qty
	4,0X30	06

Q		Qty
		04

M		Qty
	3,5X16	16

**X3**

# 05



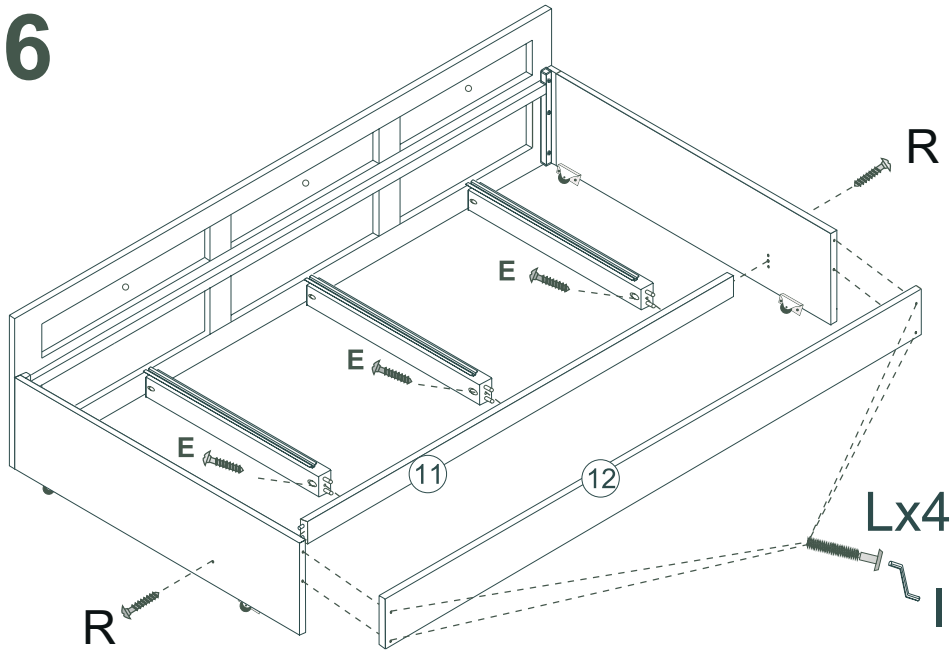
E		Qty
	4,0X30	09

S		Qty
	M4,0X25	03

K		Qty
		03



# 06

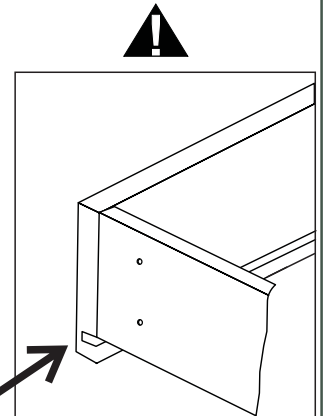
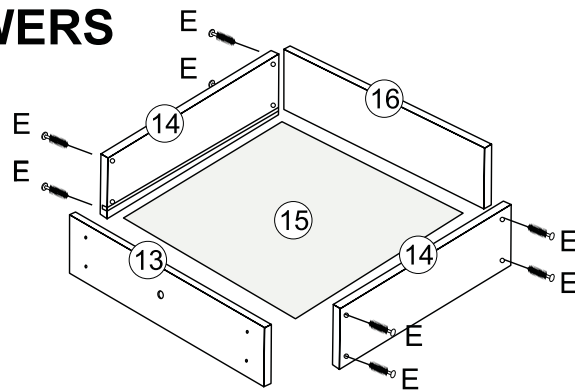


L		7,0X50	Qty	04
R		4,0X50	Qty	02

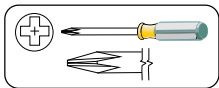
E		4,0X30	Qty	03
I		Hex Screwdriver	Qty	01

# 07 DRAWERS

**X3**

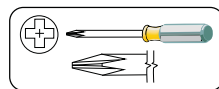
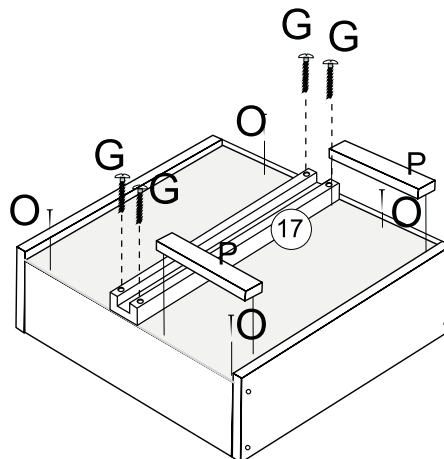


**ATTENTION:**  
ALIGN SIDE CHANNEL WITH FRONT AND BACK DRAWER  
FOR BACKGROUND APPLICATION !



E		4,0X30	Qty	24
---	--	--------	-----	----

# 07.01

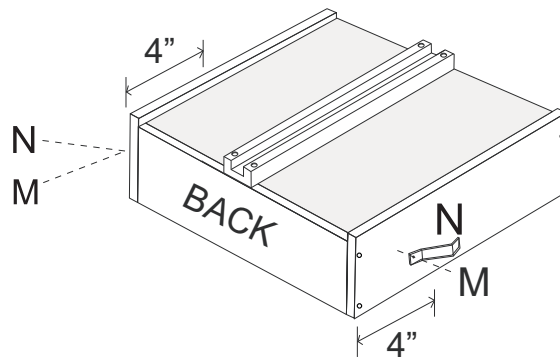
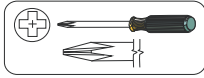


G		3,5X20	Qty	12
---	--	--------	-----	----

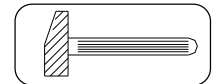
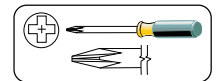
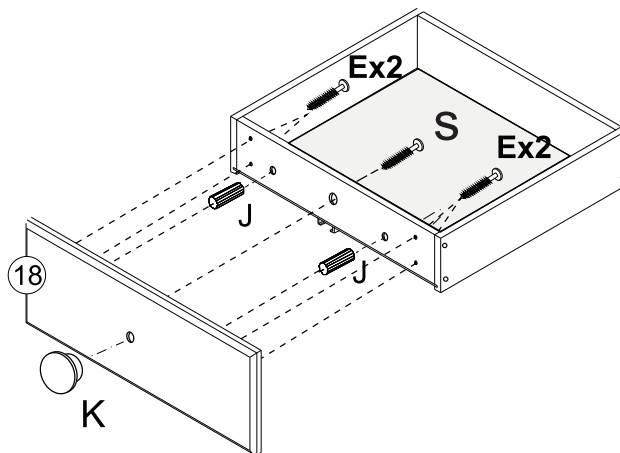
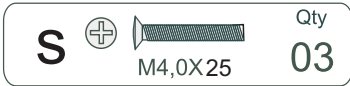
O		10X10	Qty	12
---	--	-------	-----	----

P		Wood Spacer	Qty	02
---	--	-------------	-----	----

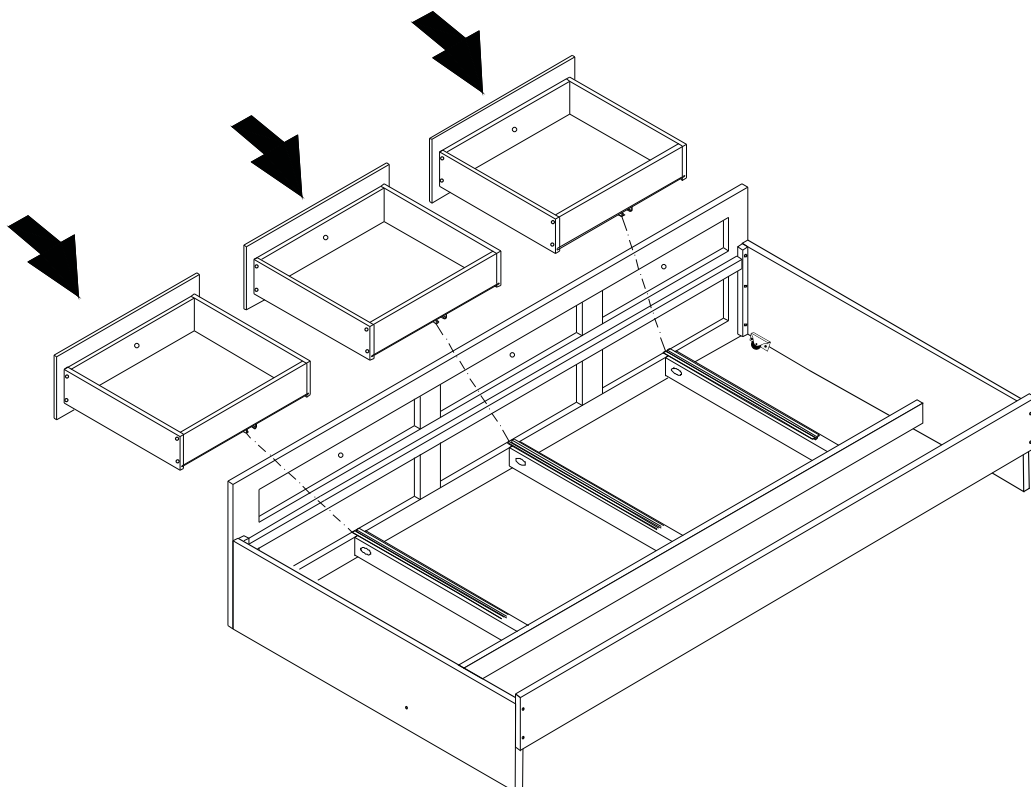
# 07.02



# 07.03

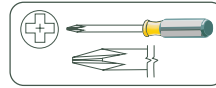
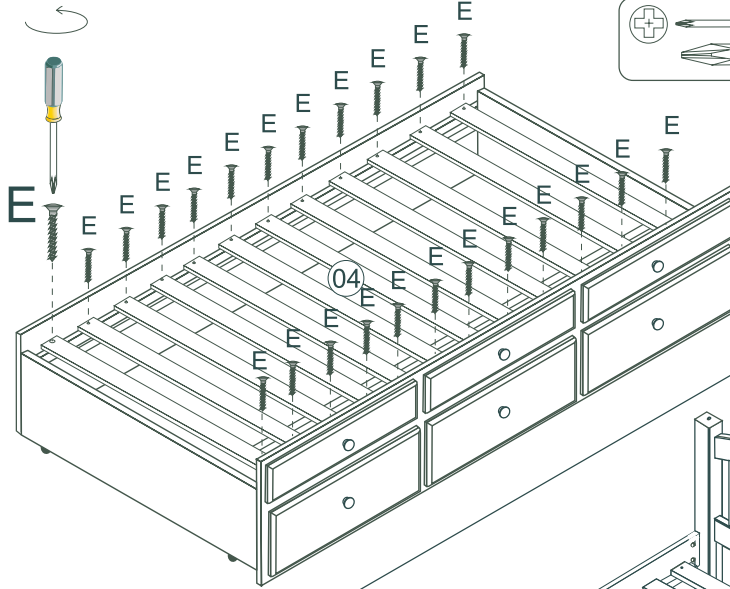


# 08

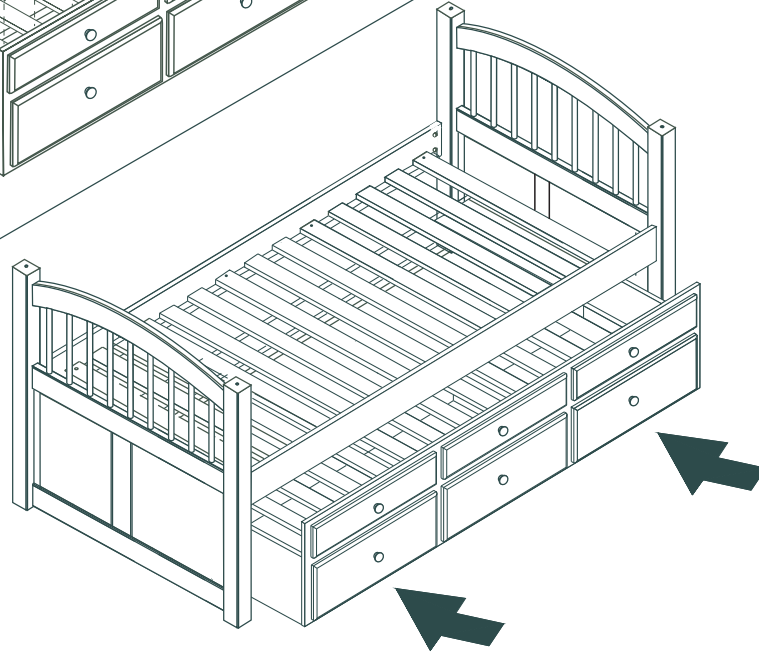




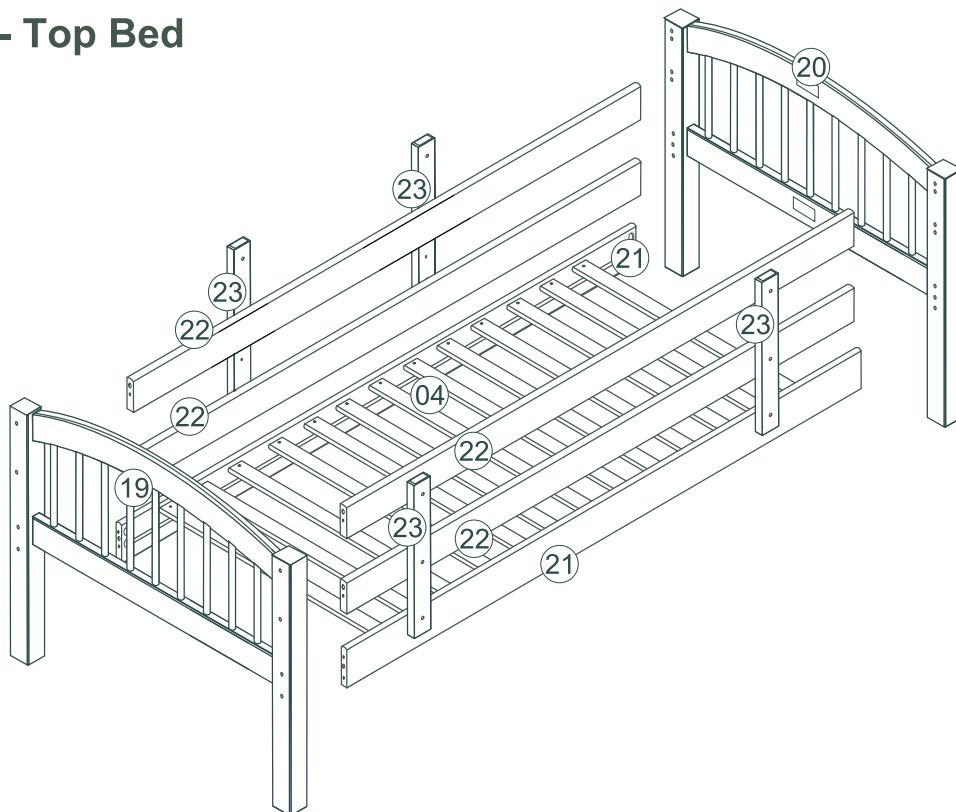
09



10

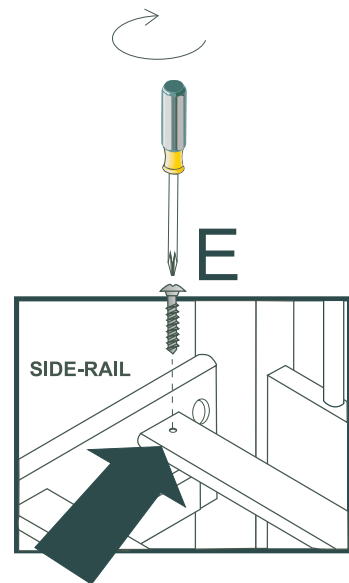
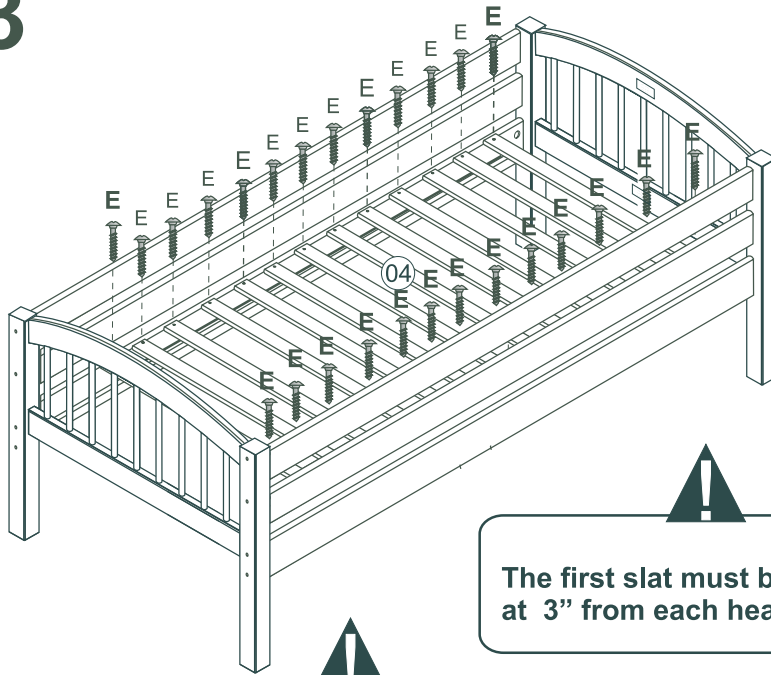


Part List - Top Bed



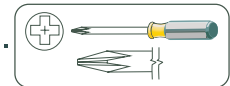


# 13



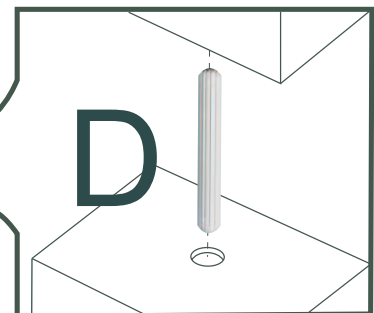
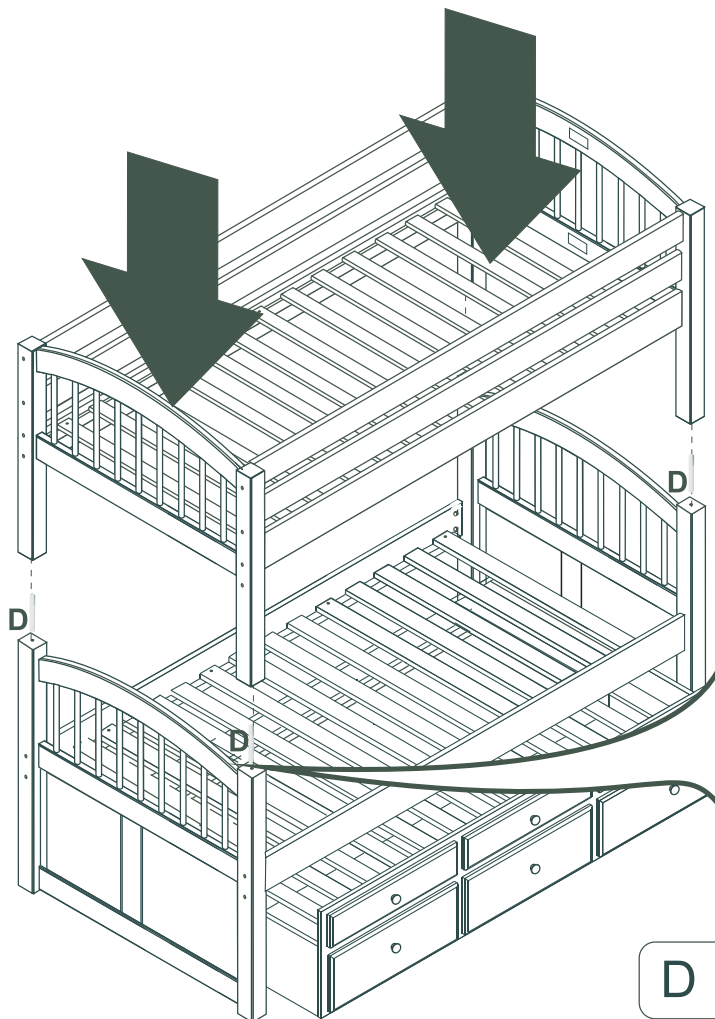
**The first slat must be fixed here at 3" from each headboard end**

**INSTALL SLAT KIT WITH SPACER TAPE ON TOP (FACING UP).**



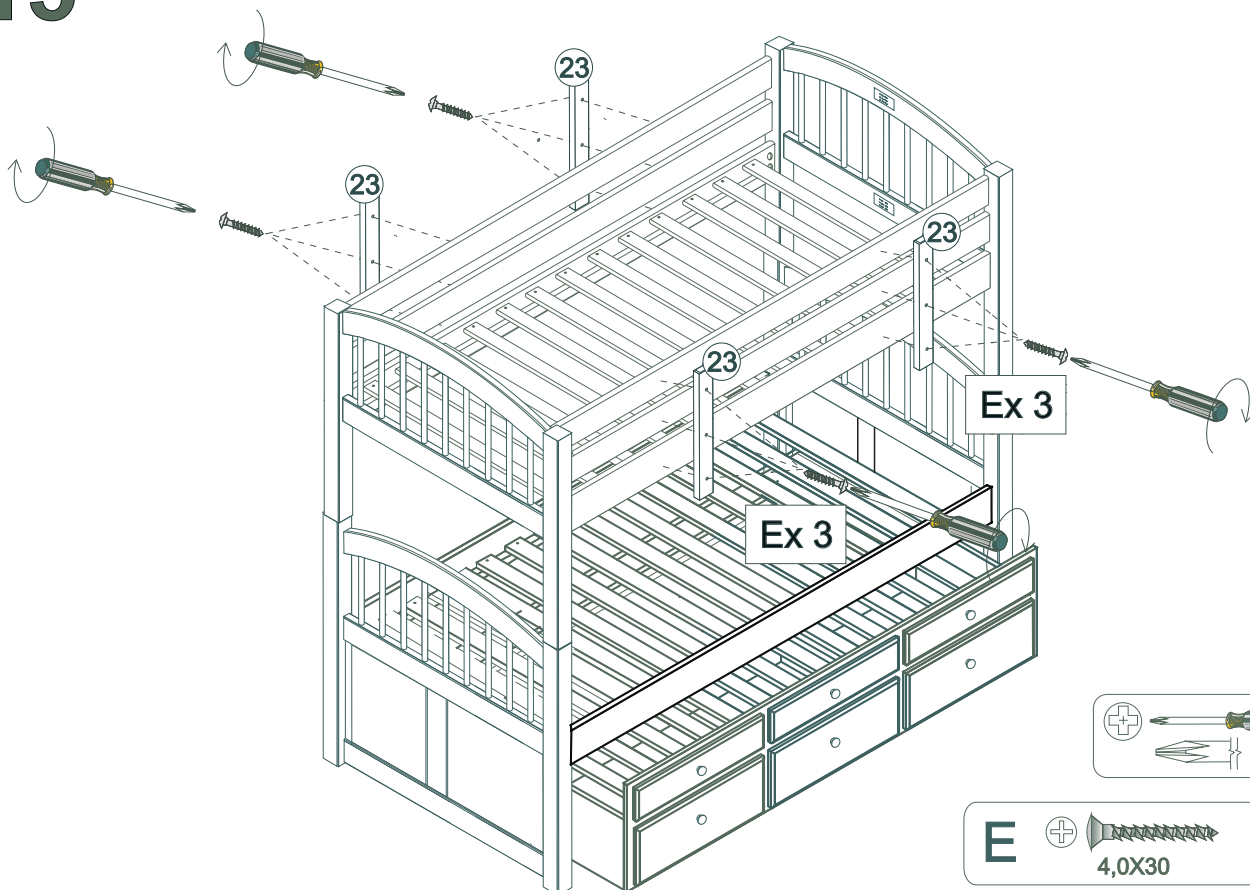
**E**  Qty **26**  
4,0X30

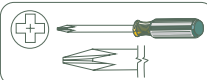

# 14



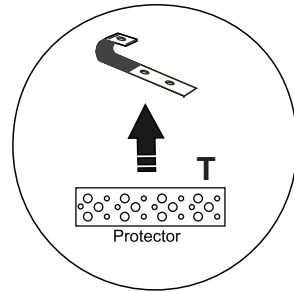
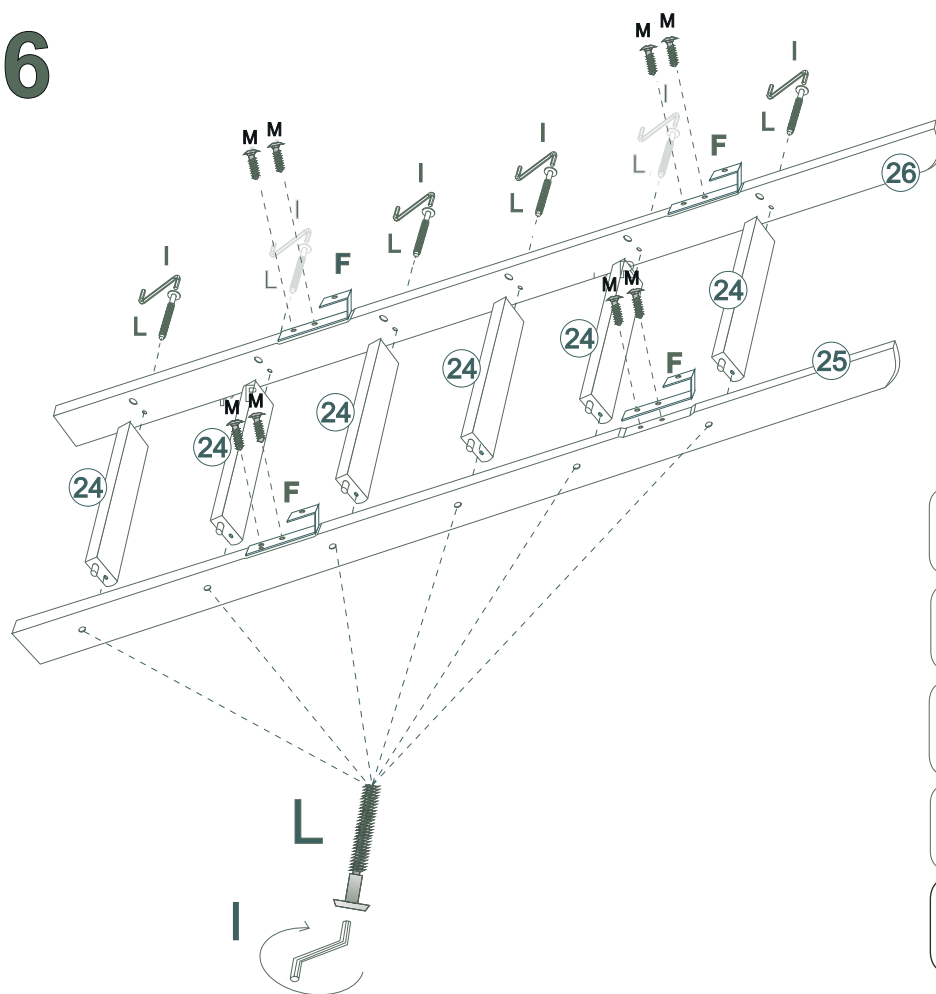
**D**  Qty **04**  
15X100

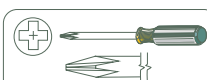


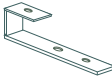

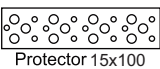
# 15



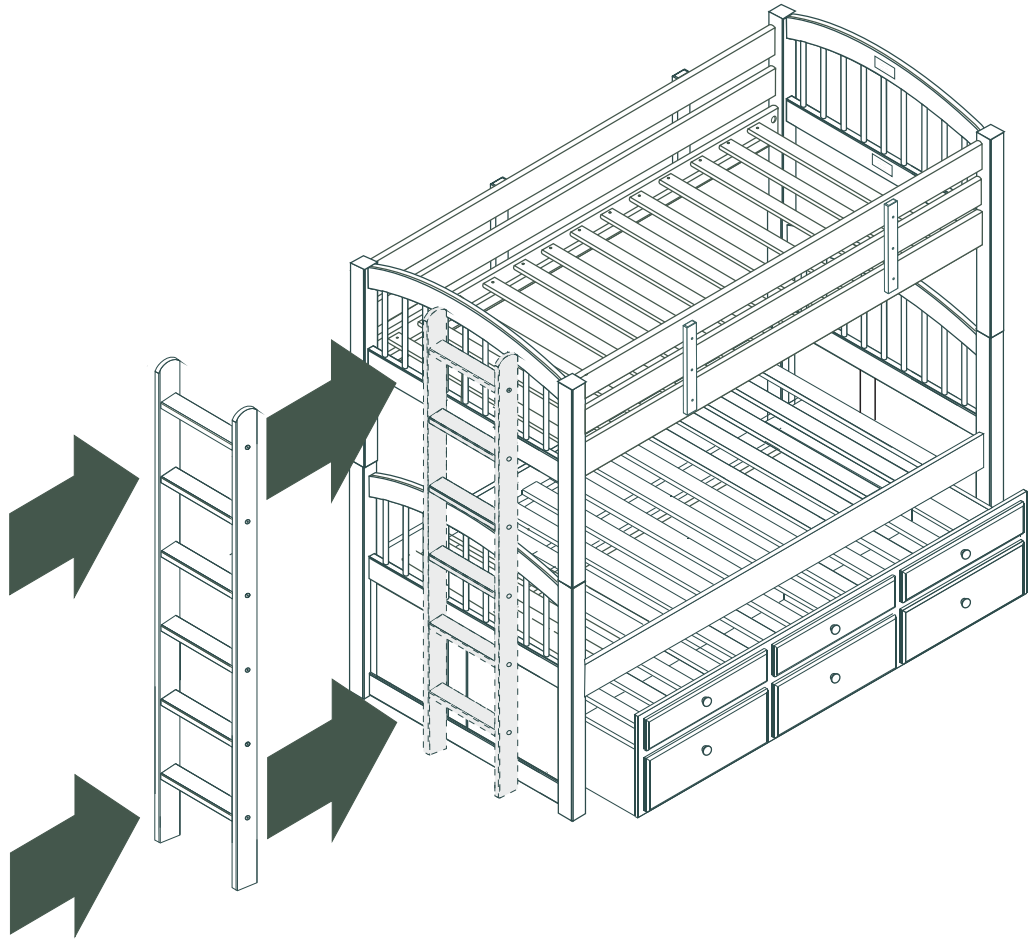
- 
- E**  Qty 12  
4,0X30

# 16

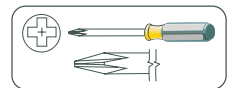
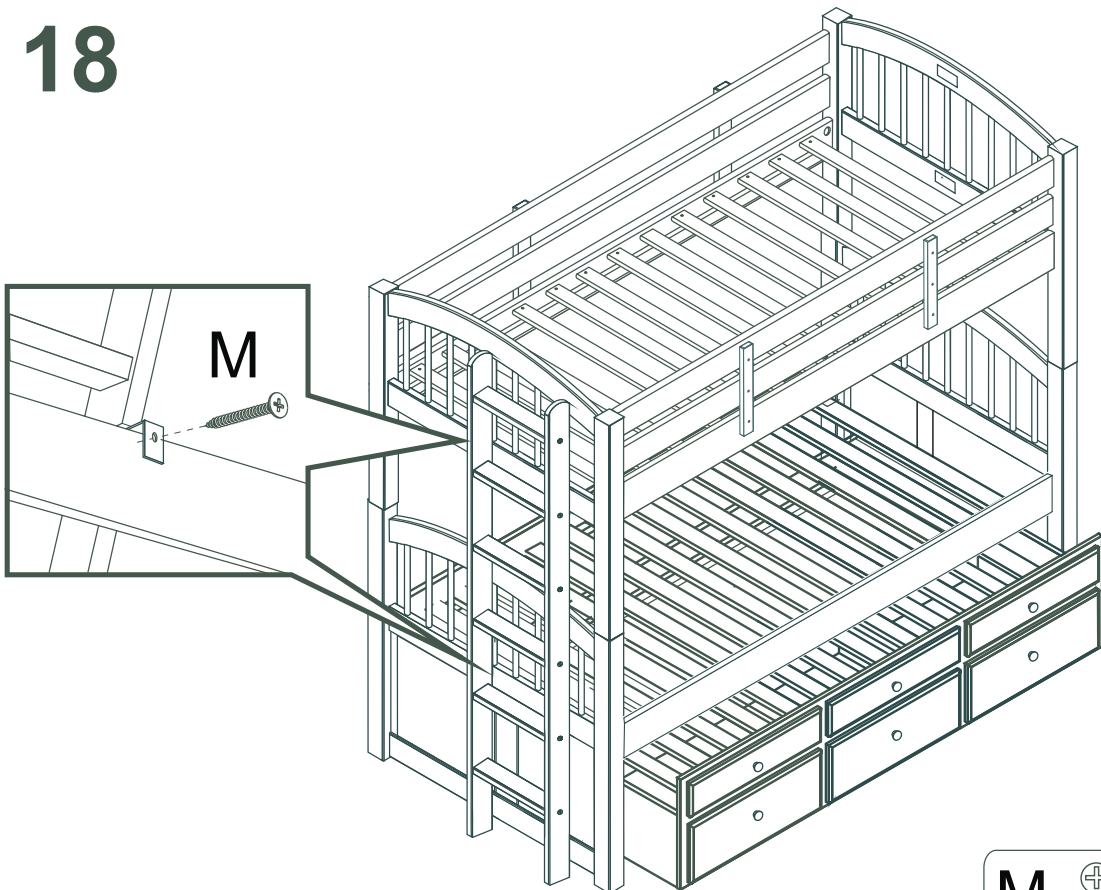


- 
- I**  Qty 01  
Hex Screwdriver
- L**  Qty 12  
7,0X50
- F**  Qty 04
- M**  Qty 08  
3,5X16
- T**  Qty 04  
Protector 15x100

17



18



M



3,5X16

Qty

04