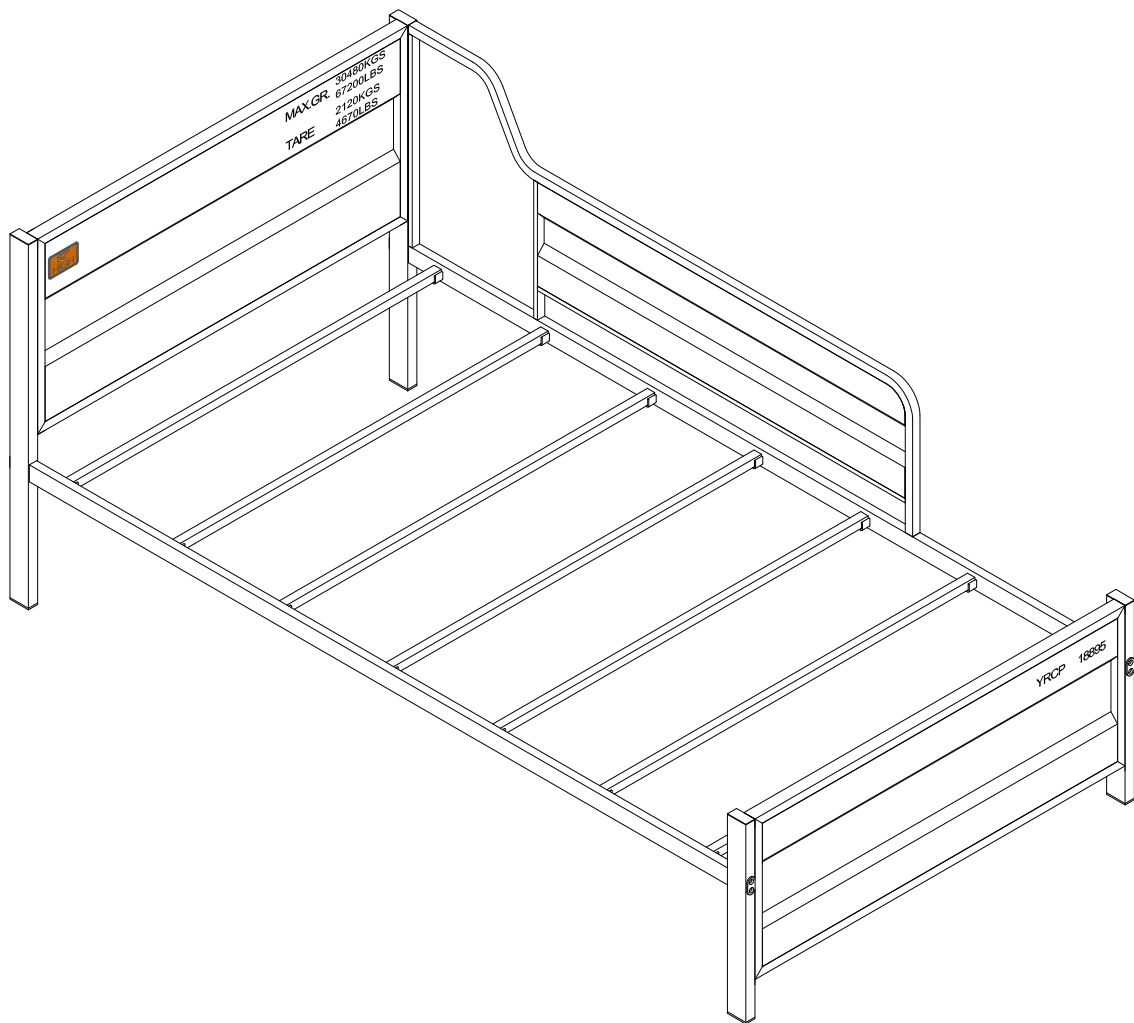


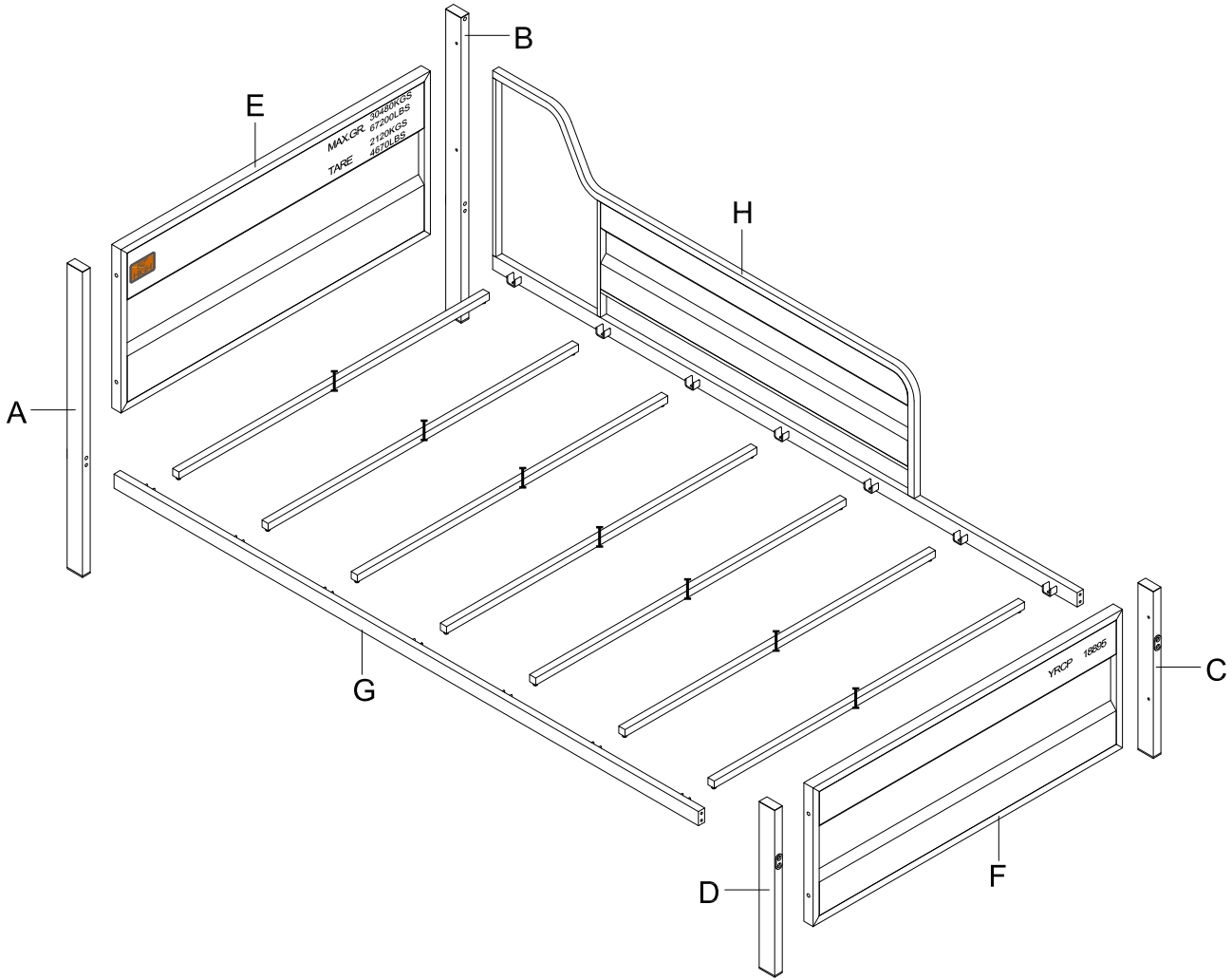
ASSEMBLY INSTRUCTIONS

ITEM NO.:39885/39880


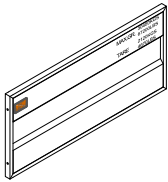

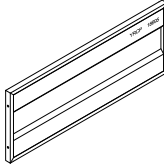

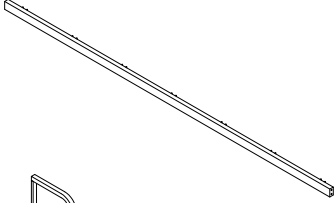

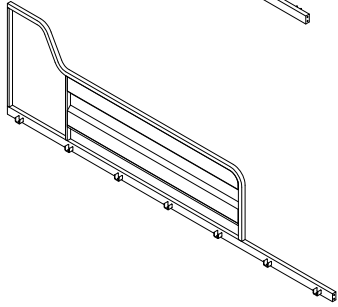
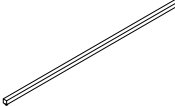


Do not tighten screws until completely assembled.



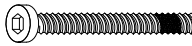

PARTS IDENTIFICATION

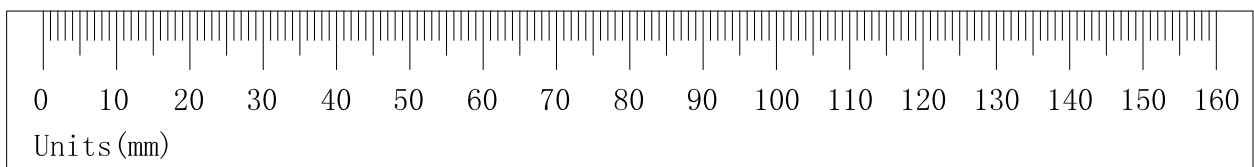


PARTS IDENTIFICATION

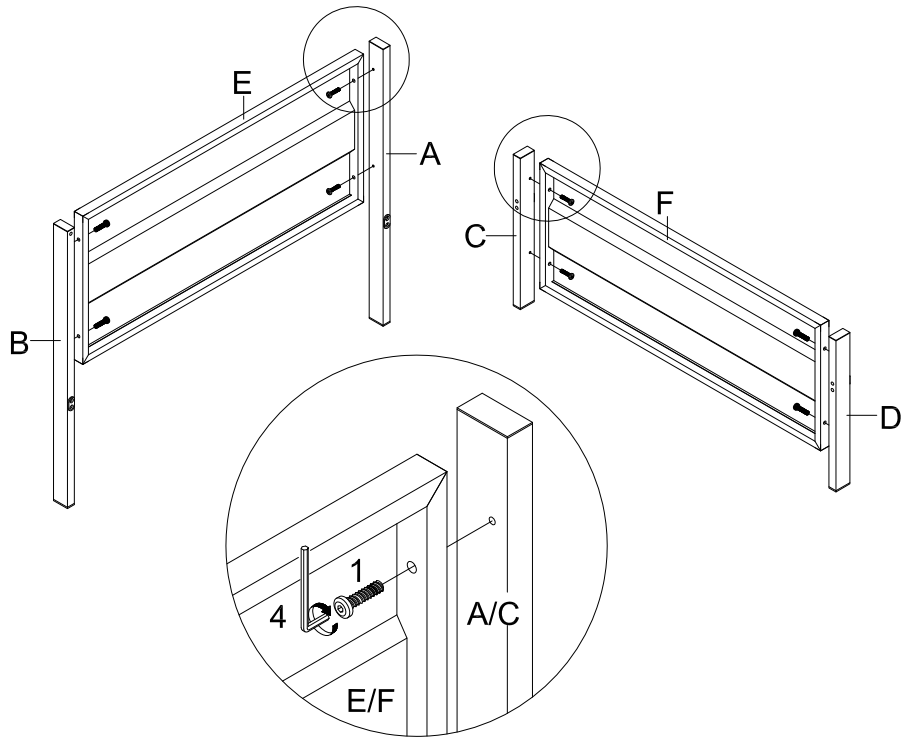
A		1pc	E		1pc
B		1pc	F		1pc
C		1pc	G		1pc
D		1pc	H		1pc
			I		7pcs


HARDWARE LIST

1  M6x35 8pcs	2  M6x75 1pc	3  M6x75 8pcs
4  1pc		

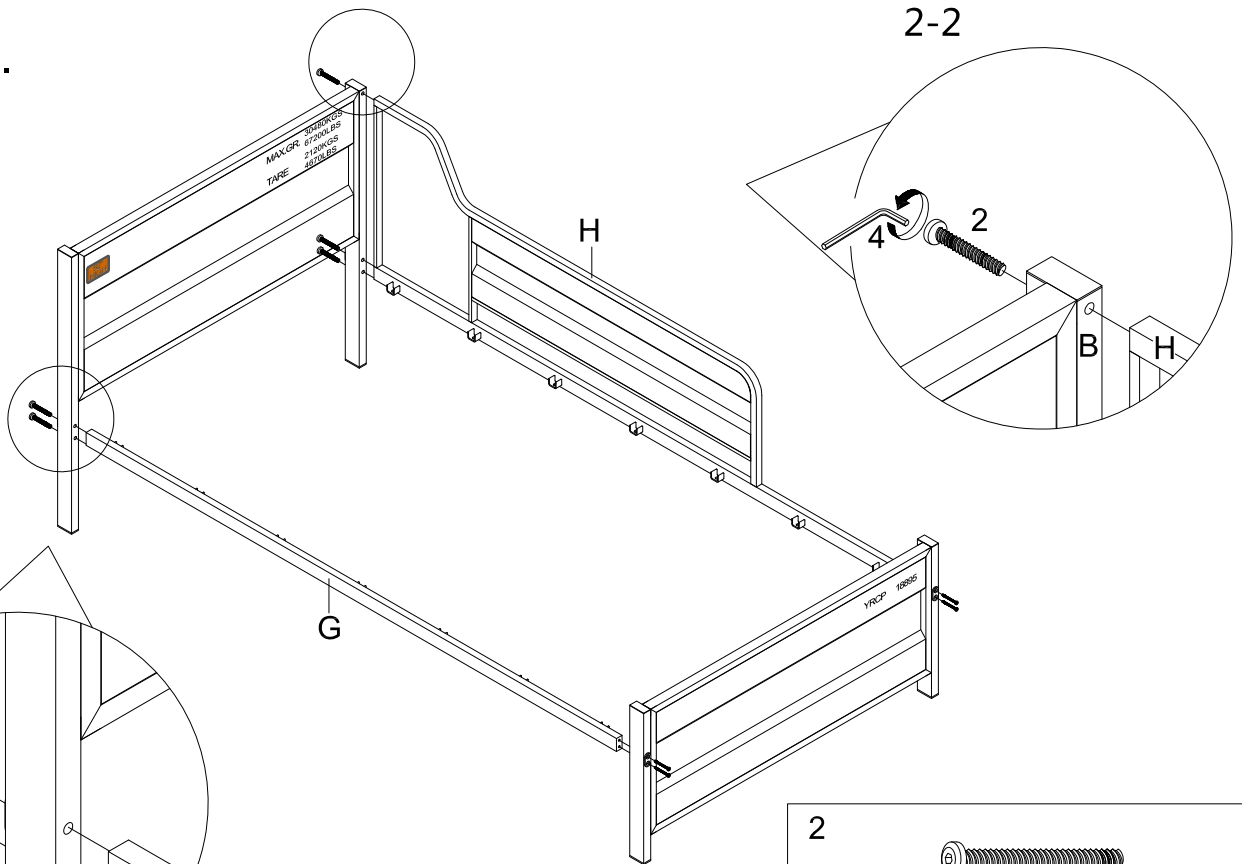


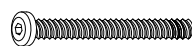

STEP 1.



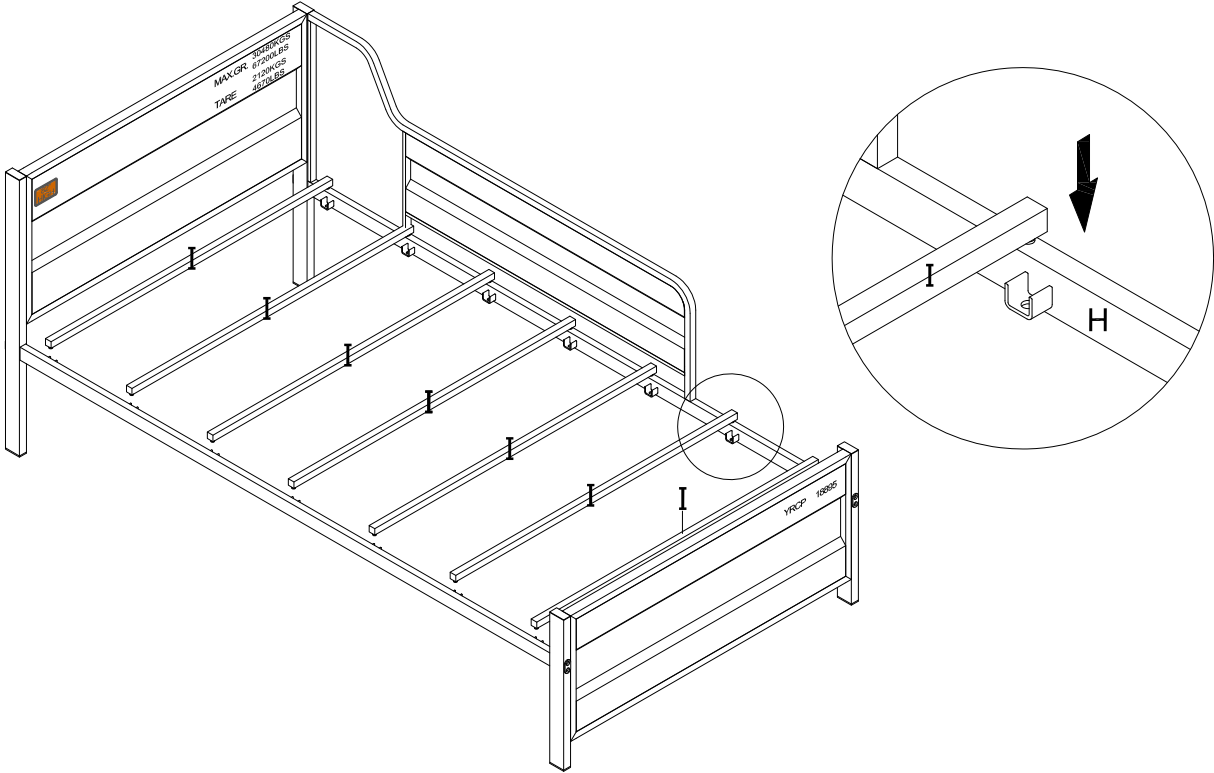
1		8pcs
M6x35		

STEP 2.

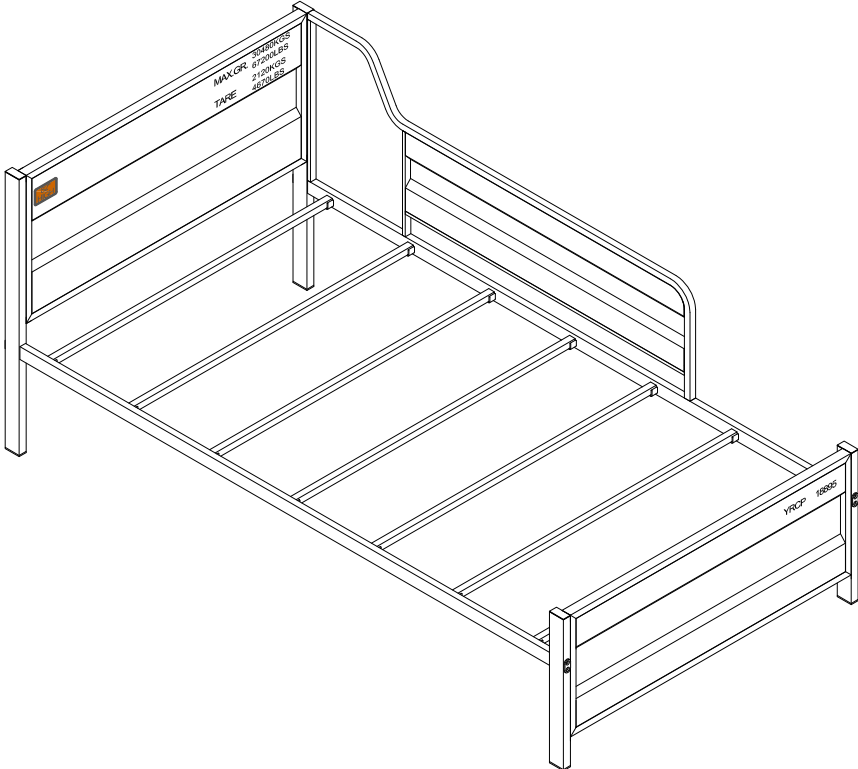


2		1pc
M6x75		
3		8pcs
M6x75		

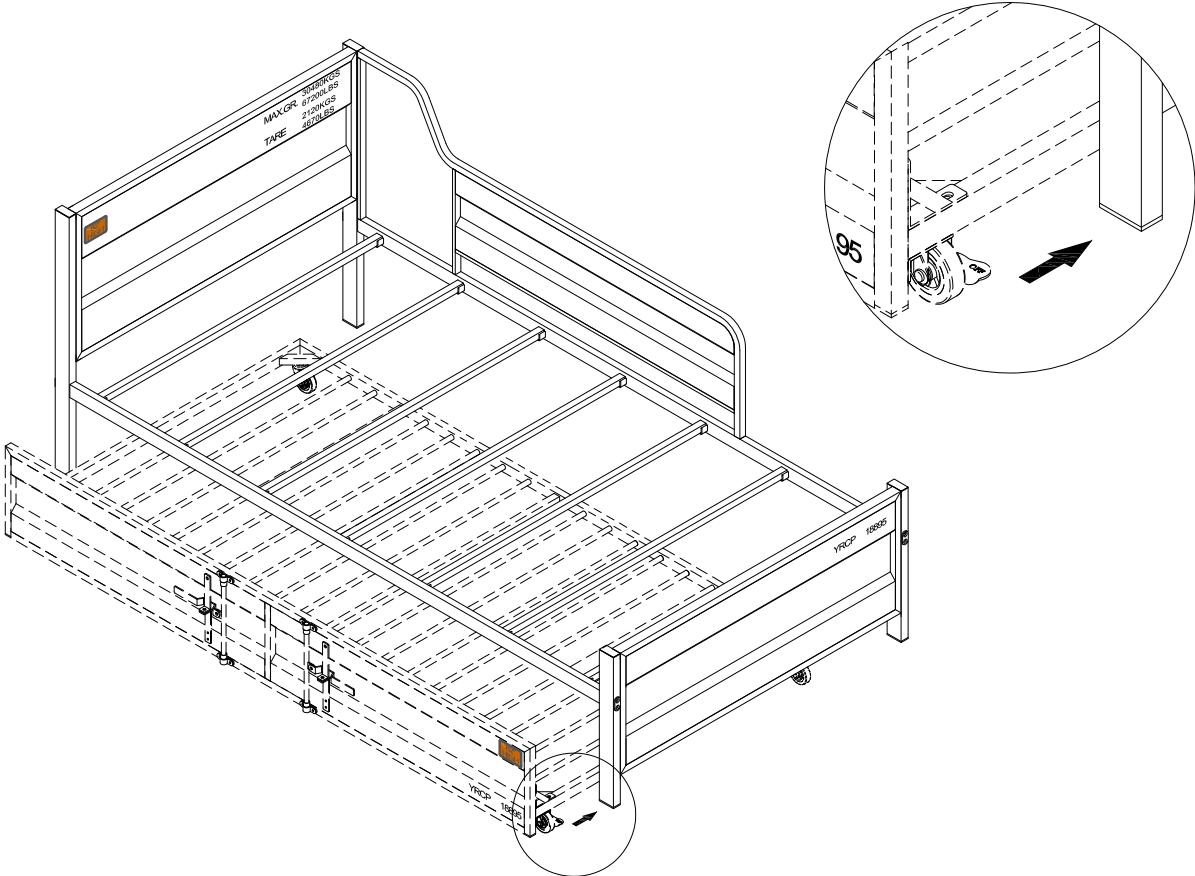
STEP 3.



STEP 4.



STEP 5.



STEP 6.

