

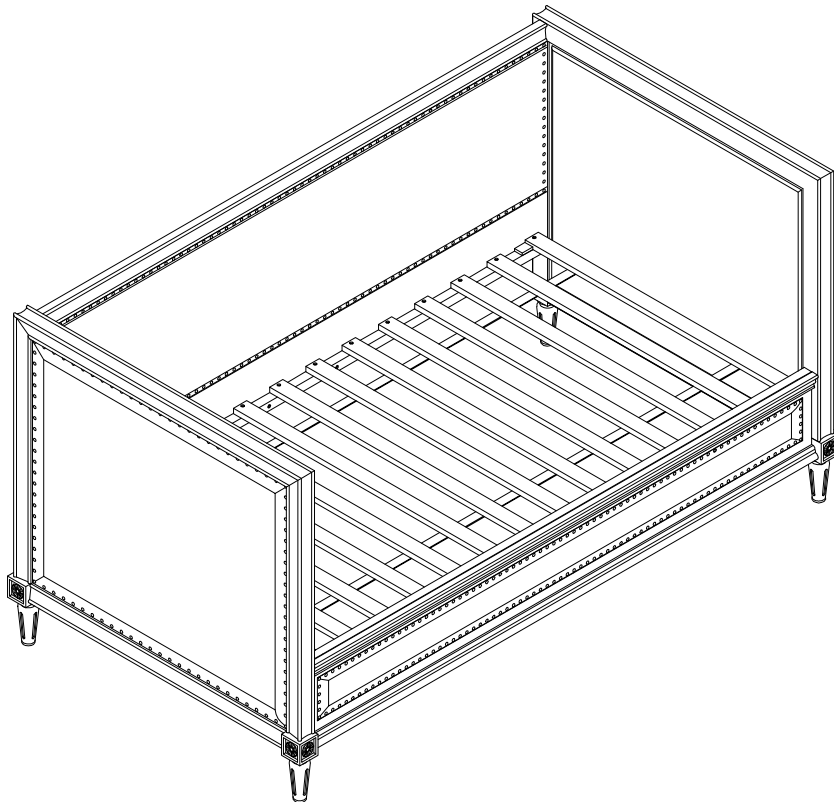


ASSEMBLY INSTRUCTIONS

Item No: #39175





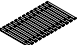
*** Thank you for purchasing this quality product. Be sure to check all packing materials carefully for small parts which may have come loose inside the carton during shipment. Identify and count all parts and compare with parts list below.

*** Assemble product on a flat, soft surface such as a carpet or cloth to prevent scratching the finish. Read all instruction and study the drawings carefully before starting the assembly process.





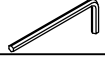


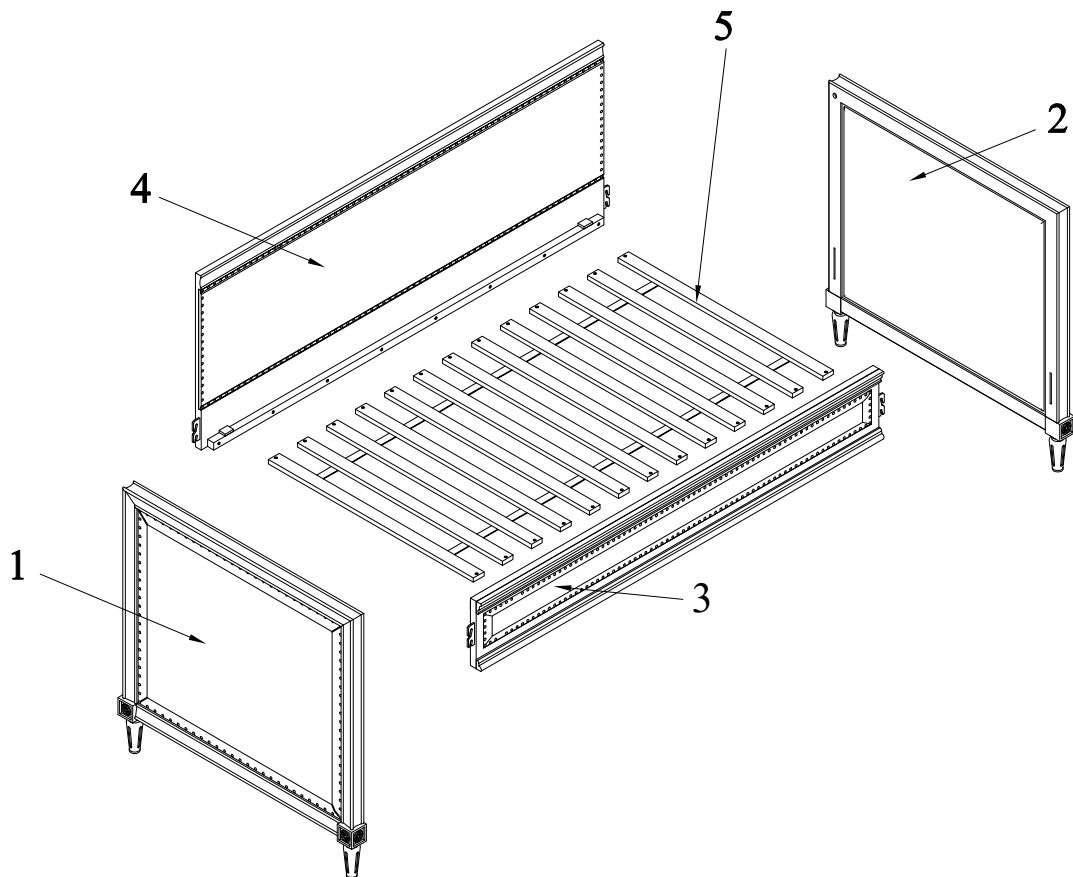
IMPORTANT: Do not tighten bolts completely until all bolts are completely lined up and inserted into holes

PARTS LIST

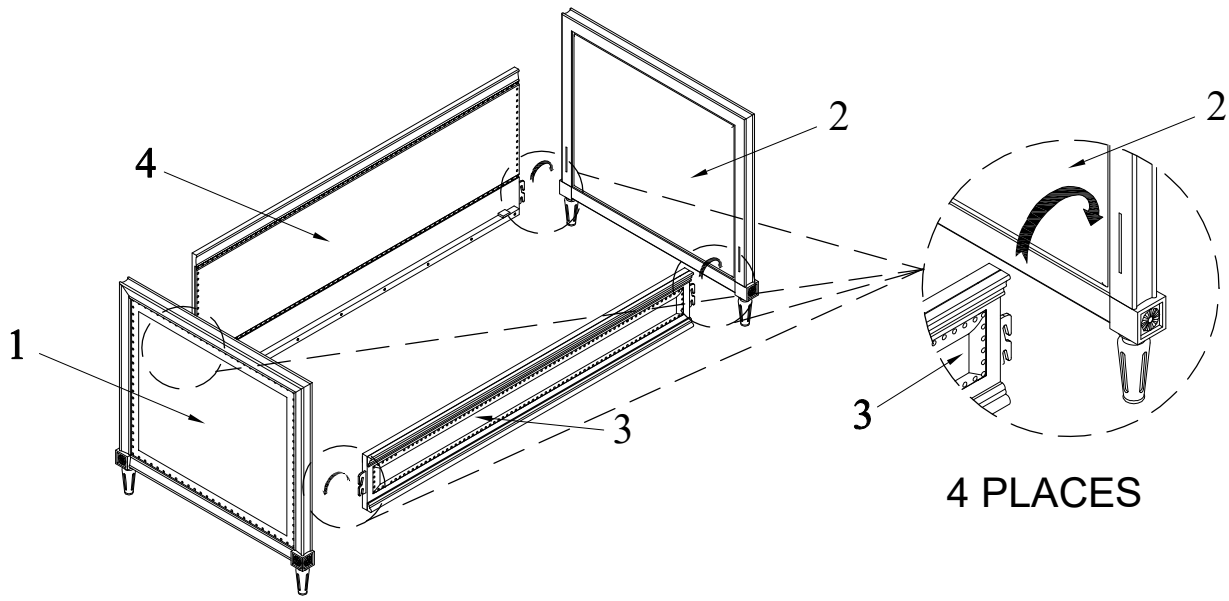
NO.	DIAGRAM	PART NAME	Q'Ty
1		Headboard (Left)	1 pc
2		Headboard (Right)	1 pc
3		Front Rail	1 pc
4		Back Rail	1 pc
5		Completed Twin Slat (13pcs/1set)	1 set

HARDWARE LIST


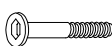
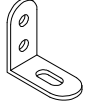
NO.	DIAGRAM	PART NAME	Q'Ty
A		Screw: 4 * 30 (mm)	26 pcs
B		Screw: 4 * 20 (mm)	4 pcs
C		Bolt 6.3 x 25 (mm)	2pcs
D		Metal connect	2pcs
E		Allen Key (M4)	1 pc

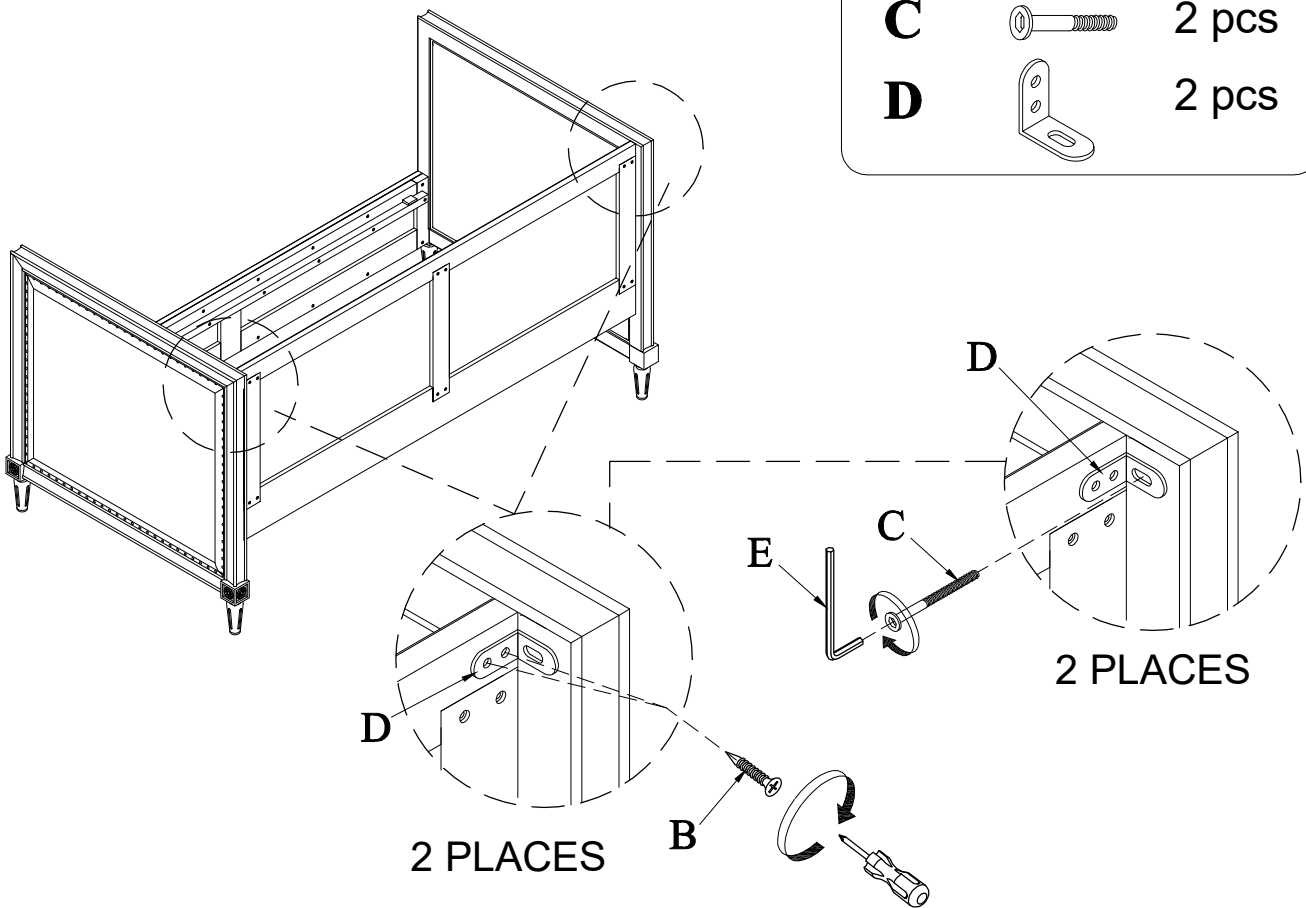


STEP 1: HEADBOARD (Left + Right) ASSEMBLY




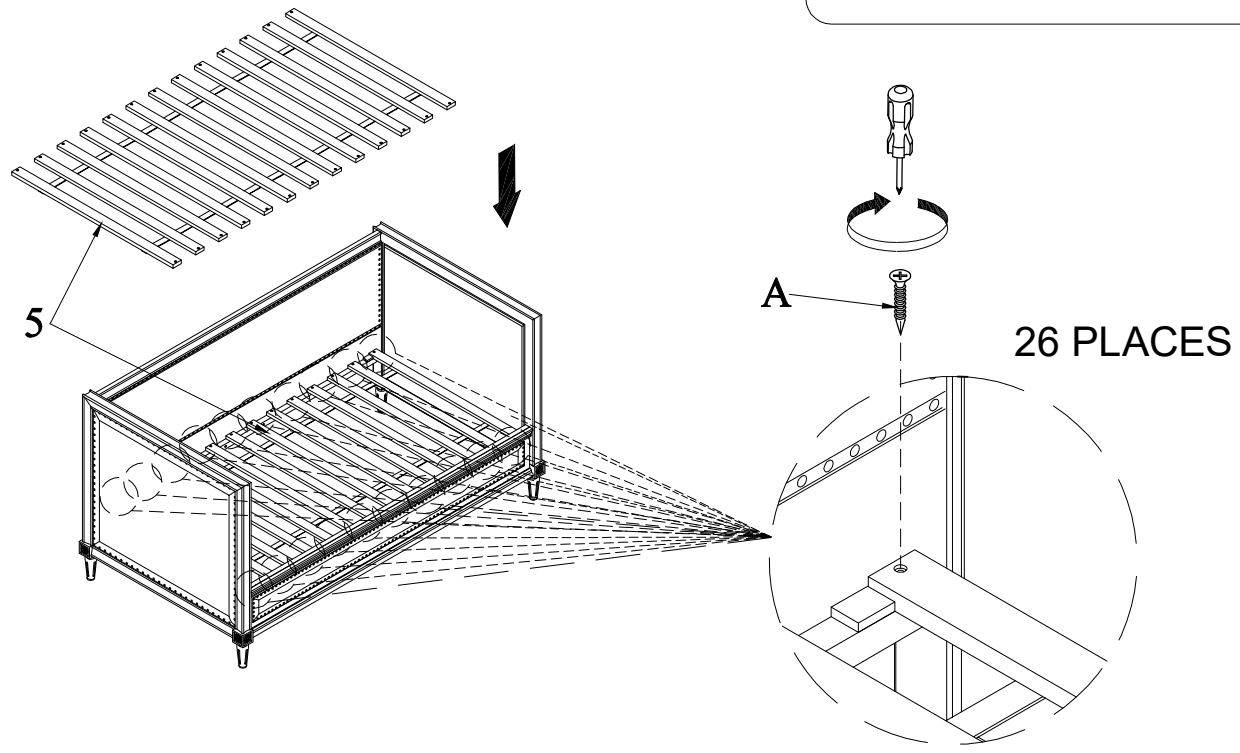
STEP 2: METAL CONNECT ASSEMBLY

- | | | |
|----------|---|-------|
| B |  | 4 pcs |
| C |  | 2 pcs |
| D |  | 2 pcs |

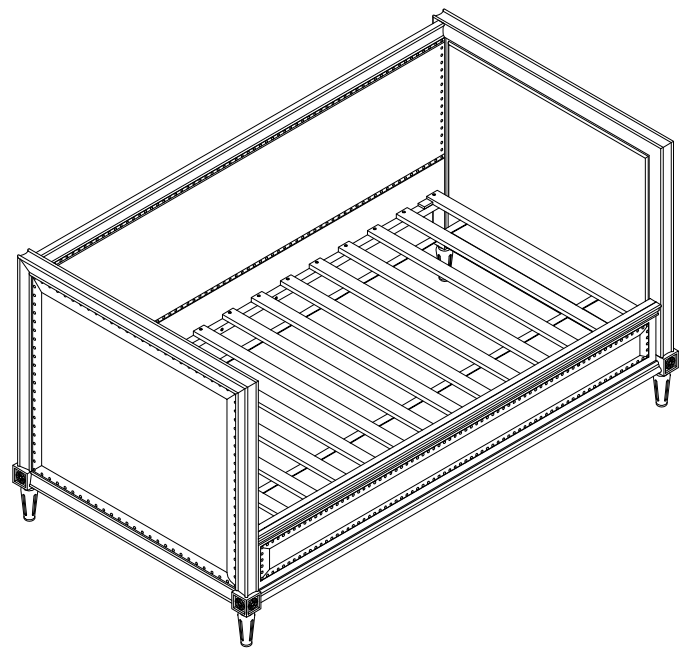


STEP 3: COMPLETED TWIN SLAT ASSEMBLY

A  26 pcs



STEP 4:



ASSEMBLY IS COMPLETED