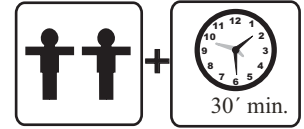
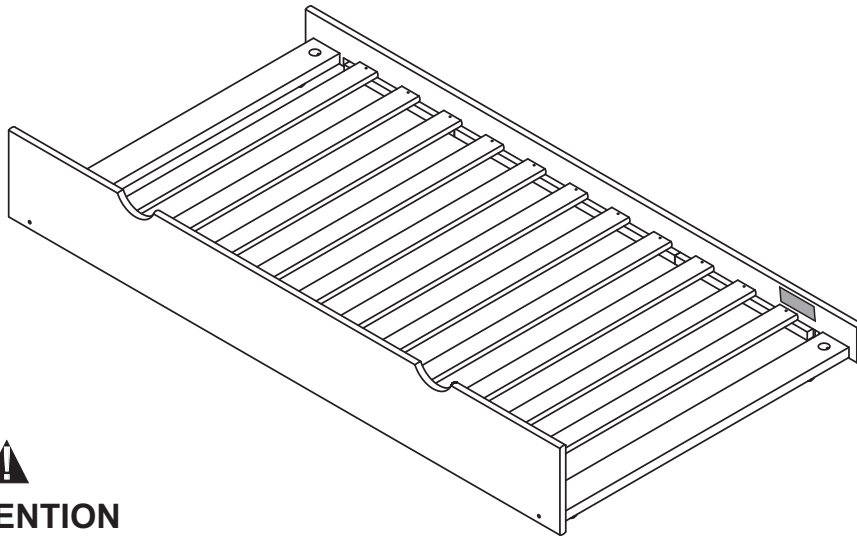


ACME FURNITURE

ASSEMBLY INSTRUCTIONS

39083 TRUNDLE



Tools Required



(Not Included)



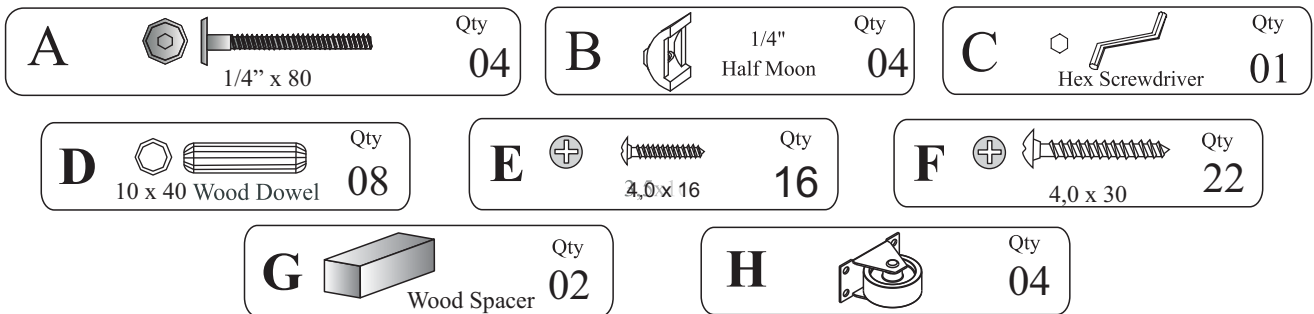
* Use of power tool to assemble this product will invalidate any claim and damage this product making unsafe !!!
* Please assemble on a clean soft surface to avoid damage.



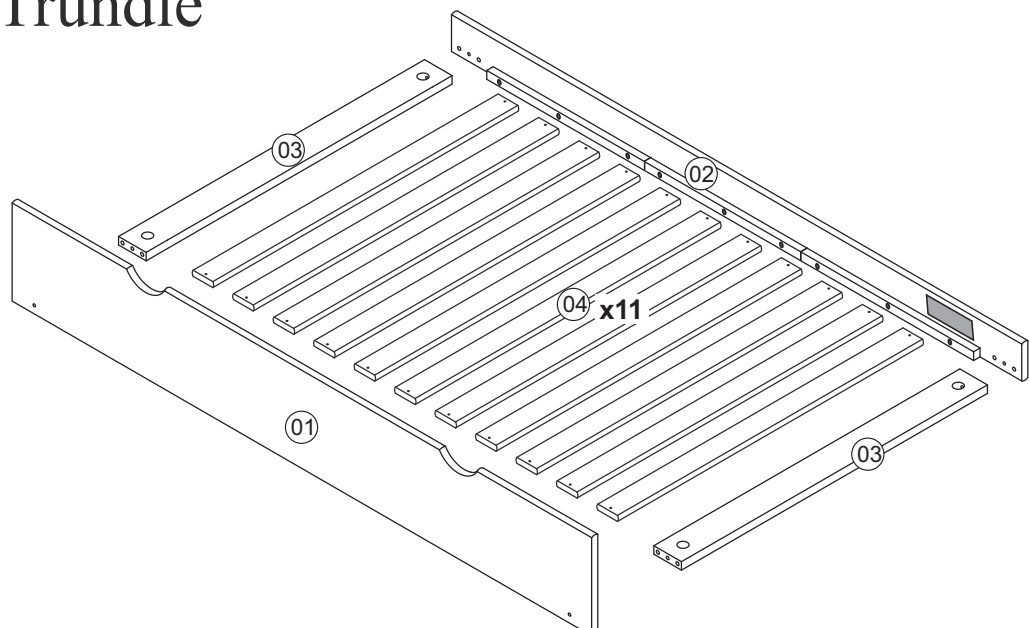
ATTENTION

MATTRESS SIZE MAXIMUM 7" HIGH

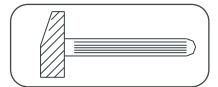
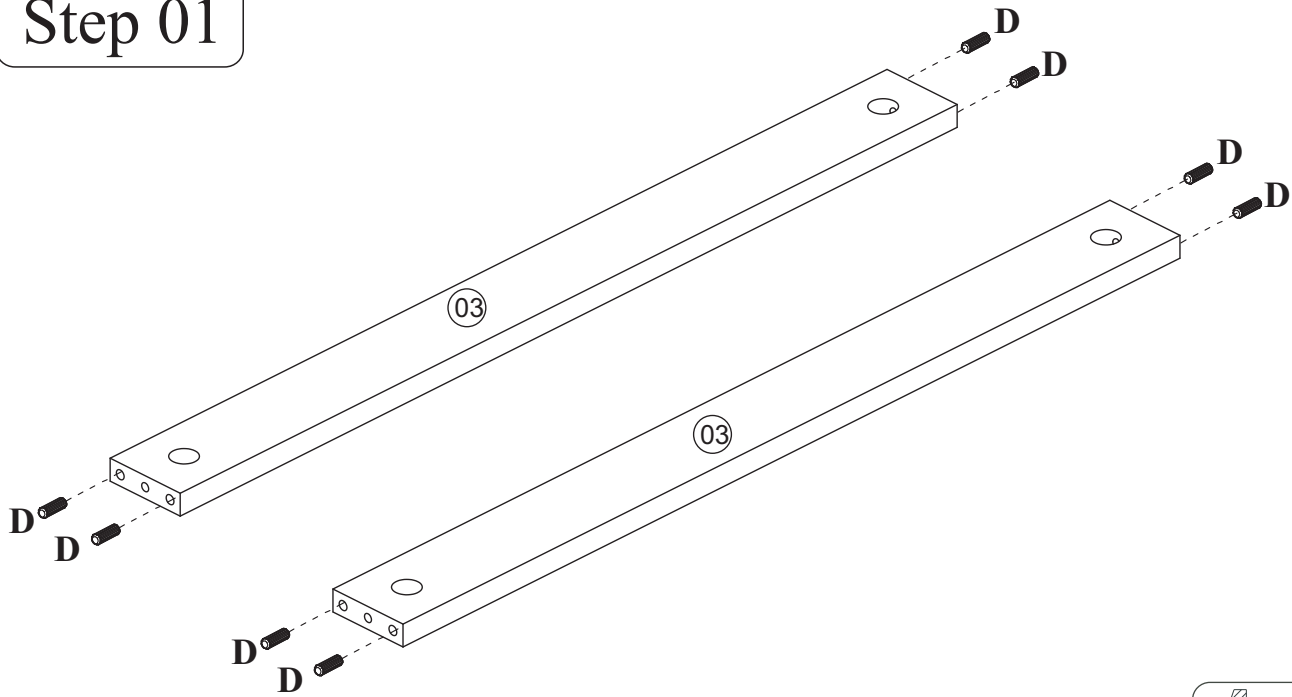
Identifying the Hardware/part list- Identify the hardware using the illustrations below.



Part List - Trundle

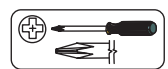
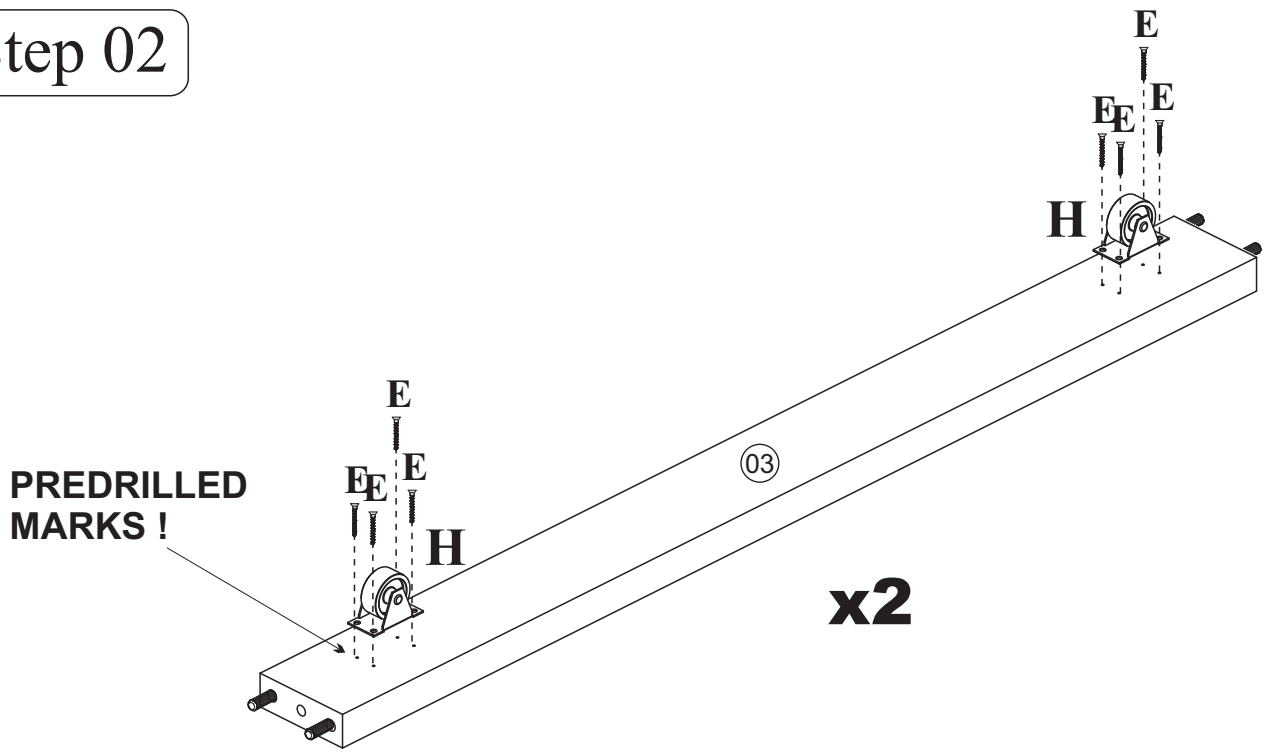


Step 01



D		Qty
	10 x 40 Wood Dowel	08

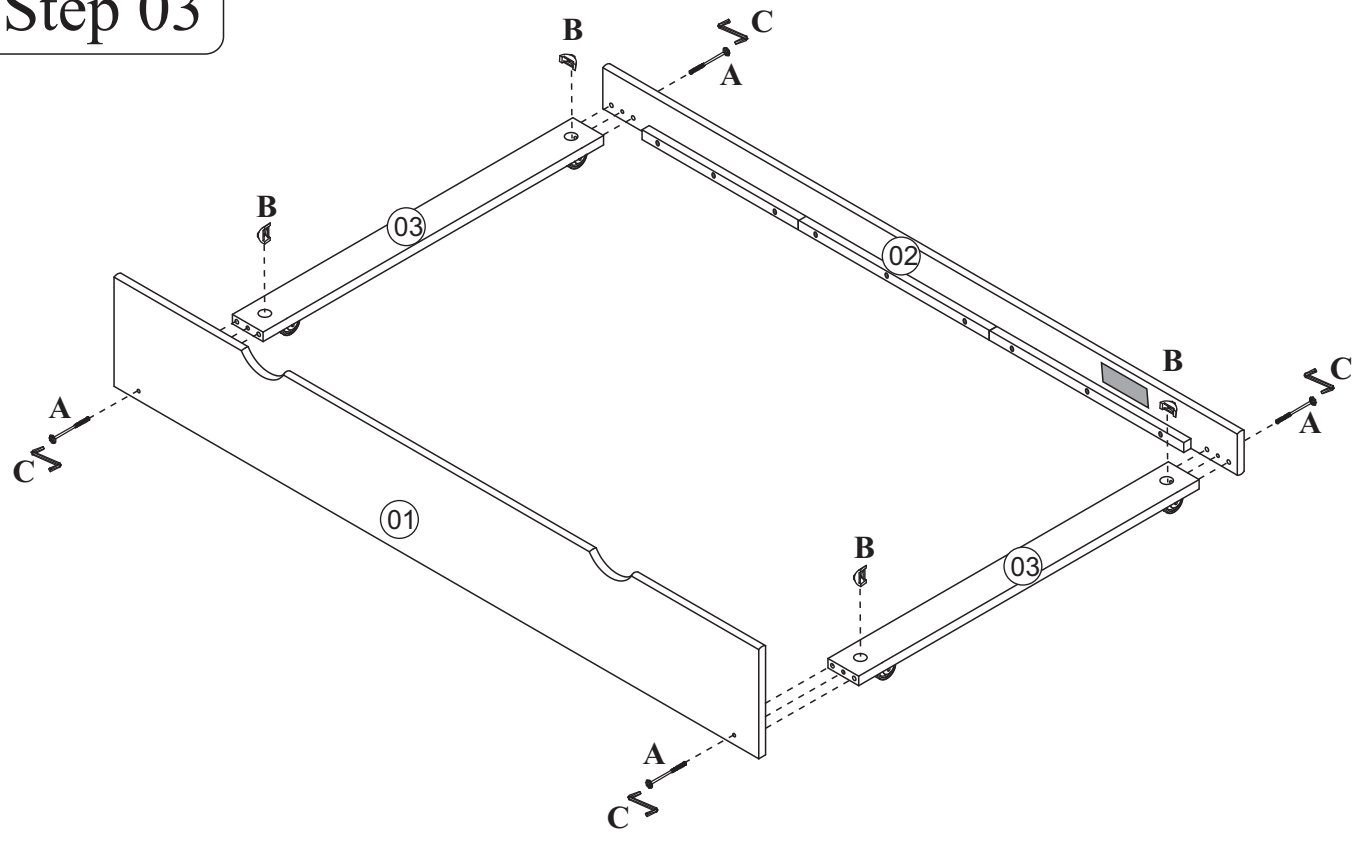
Step 02




E		Qty
	4,0 x 16	16

H		Qty
		04

Step 03

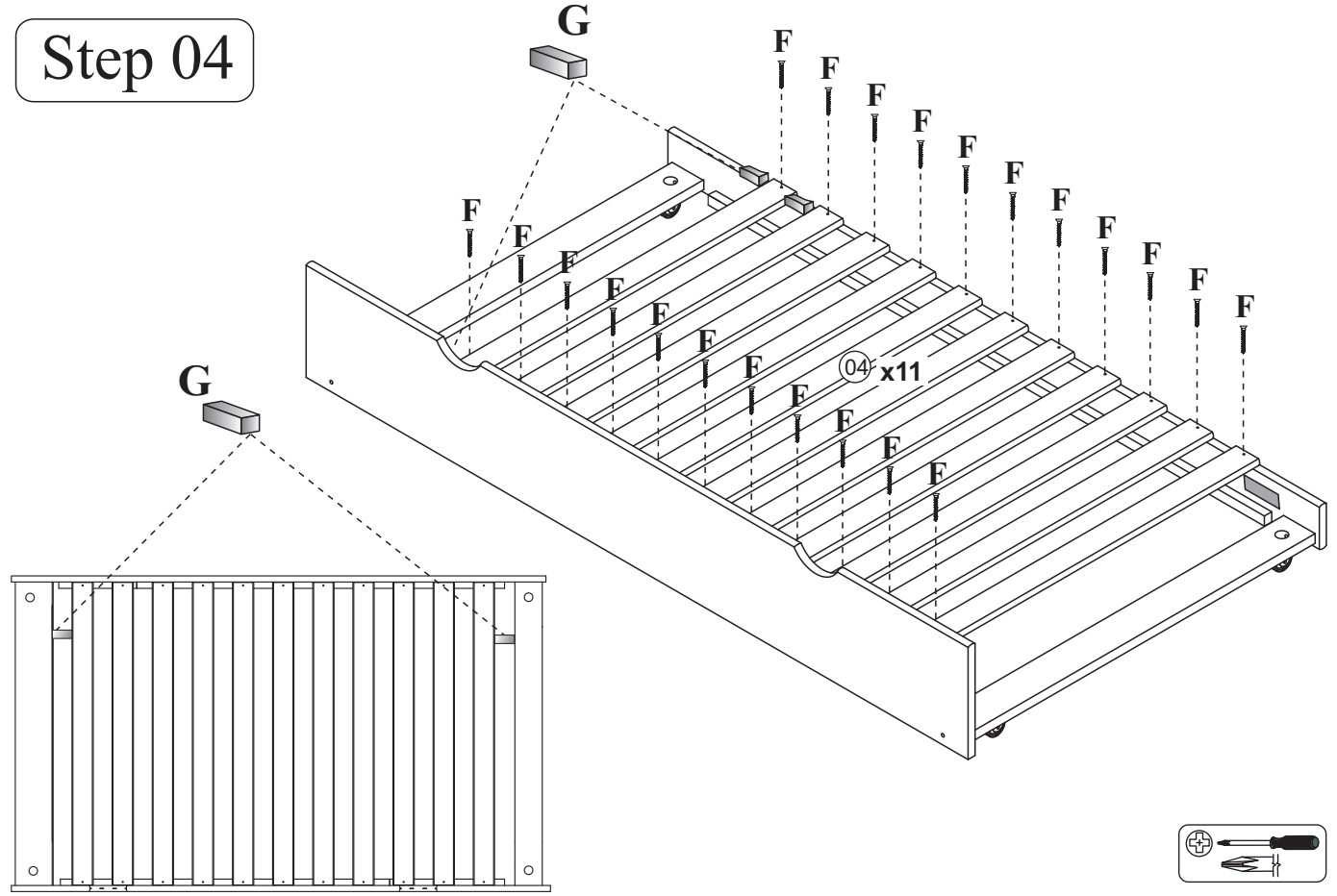



A  1/4" x 80 Qty 04

B  1/4" Half Moon Qty 04

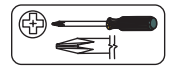
C  Hex Screwdriver Qty 01

Step 04



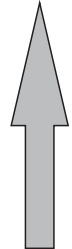
F  4,0 x 30 Qty 22

G  Wood Spacer Qty 02

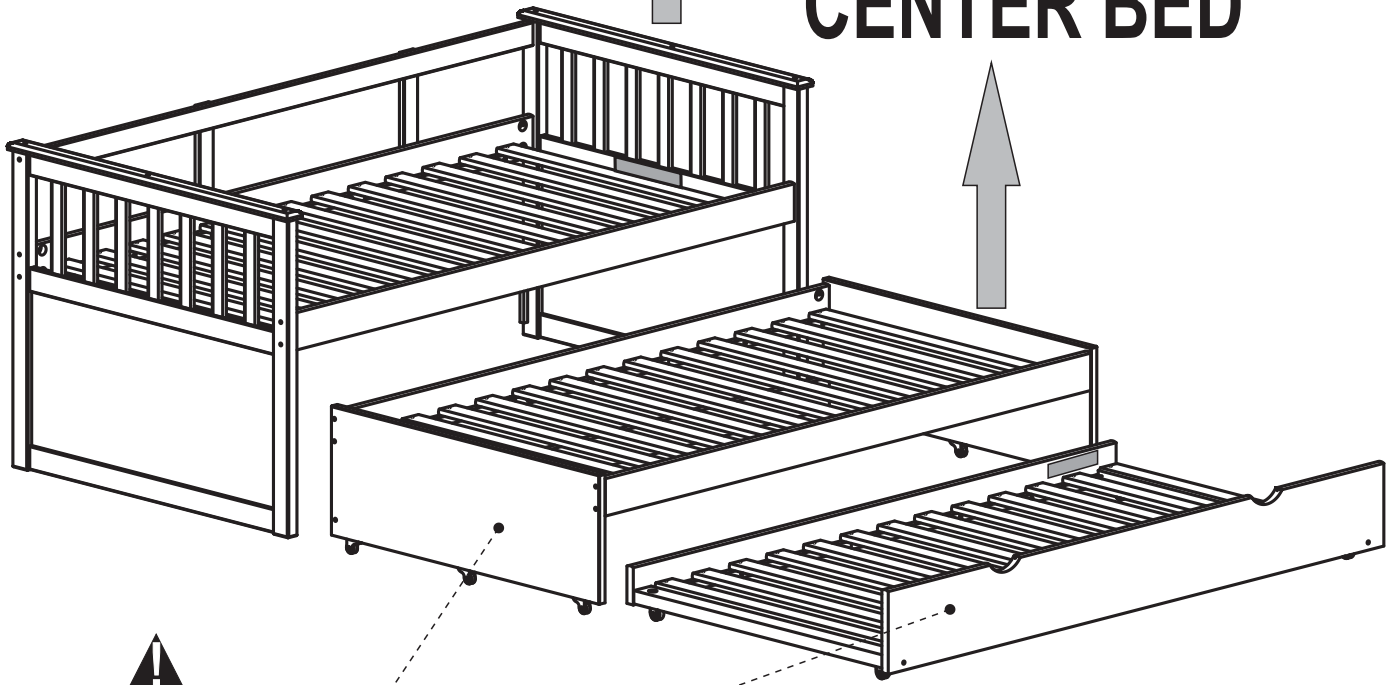
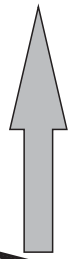


Step 05

**OPTIONAL
BED**



**OPTIONAL
CENTER BED**



ATTENTION

MATTRESS SIZE MAXIMUM 7" HIGH