

# About the Wood and Finish

This product has been carefully crafted of: MDF, solid pine wood and/or pine veneers. These materials derive from plantations, a renewable and well managed forest, therefore, not endangering the environment. The highest quality standards have been implemented to assure a sturdy and reliable product. Due to the natural variances in the

graining of wood, you may notice subtle differences in the shading and tone of the color stain, warp, holes, wood knots and also small cracks. This is not a defect.

But rather a result of the natural beauty of the wood itself.

**AONNE**  
**FURNITURE**

## Care and

### **maintenance:**

Dust when needed using a smooth, dry cloth.

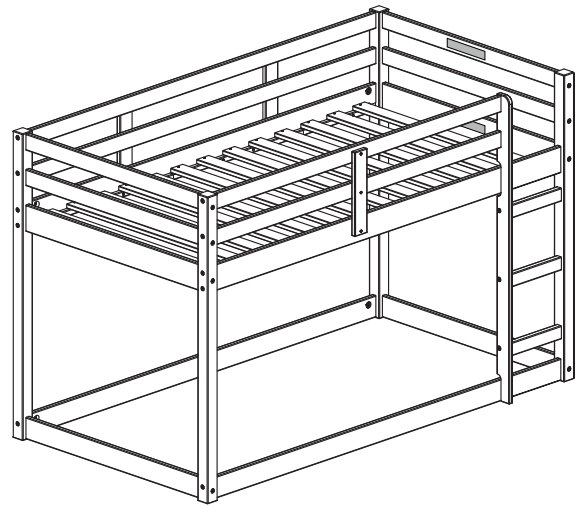
Household furniture polish can be used

occasionally to restore luster.

# ASSEMBLY INSTRUCTIONS

## 38180 - 38185 - LOFT BED

Thank you for purchasing this quality product. Be sure to check all packing materials carefully for small parts which may have come loose inside the carton during shipment. Separate, identify and count all parts and hardware. Compare with the parts list to be sure all parts are present.



**“DO NOT TIGHTEN SCREWS  
UNTIL COMPLETELY ASSEMBLED”**

### **SIZE OF MATTRESS AND FOUNDATION (SUPPORT)**

This bed is designed to use a twin mattress (37½”-38½”x74-75”) and bunkie board (37½”x74”). The total thickness must not exceed **9”** inches. Do not use mattress without the proper bunkie board of safe foundation.

**Note:** There must be at least **5”** inches from top surface of mattress to top edge of guardrails.

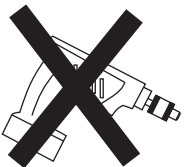
### **REPLACEMENT PARTS.**

Replacement parts, including additional guardrails, may be obtained from place of purchase or original distributor.

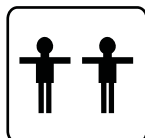
TO OBTAIN PARTS, PLEASE CONTACT: ACME FURNITURE INC - CITY OF INDUSTRY, CA

## **SAFETY WARNINGS!**

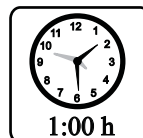
- 1- Follow the information on the warning label appearing on the upper bunk end structure and on the carton. Do not remove warning label from bed.
- 2- Always use the recommended size mattress or mattress support, or both, to help prevent the likelihood of entrapment or falls.
- 3- Surface of mattress must be at least 5 inches below the upper edge of guardrails.
- 4- Do not allow children under 6 years of age to use the upper bunk.
- 5- Prohibit more than one person on upper bunk.
- 6- Periodically check and ensure that the guardrail, ladder and other components are in their proper position free from damage, and that all connectors are tight.
- 7- Do not allow horseplay on or under the bed and prohibit jumping on the bed.
- 8- Always use the ladder for entering and leaving the upper bunk.
- 9- Do not use substitute parts. Contact distributor or dealer for replacement parts.
- 10- Use of a night light may provide added safety precaution for a child using the upper bunk.
- 11- If the bunk bed will be placed next to a wall, the guardrail that runs the full length of the bed should be placed against the wall to prevent entrapment between the bed and the wall.
- 12- Always use guardrails on both long sides of the upper bunk.
- 13- The use of water or sleep flotation mattresses is prohibited.
- 14- Keep these instructions for future reference.
- 15- Strangulation Hazard - Never attach or hang items to any part of the bunk bed that are not designed for use with the bed: for example, but not limited to, hooks, belts, and jump ropes, etc.



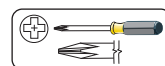
**!**  
\* Use of power tool to assemble this product will invalidate any claim and damage this product making unsafe !!!  
\* Please assemble on a clean soft surface to avoid damage.



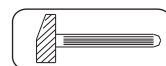
+



### Tools Required



(Not included)



(Not included)

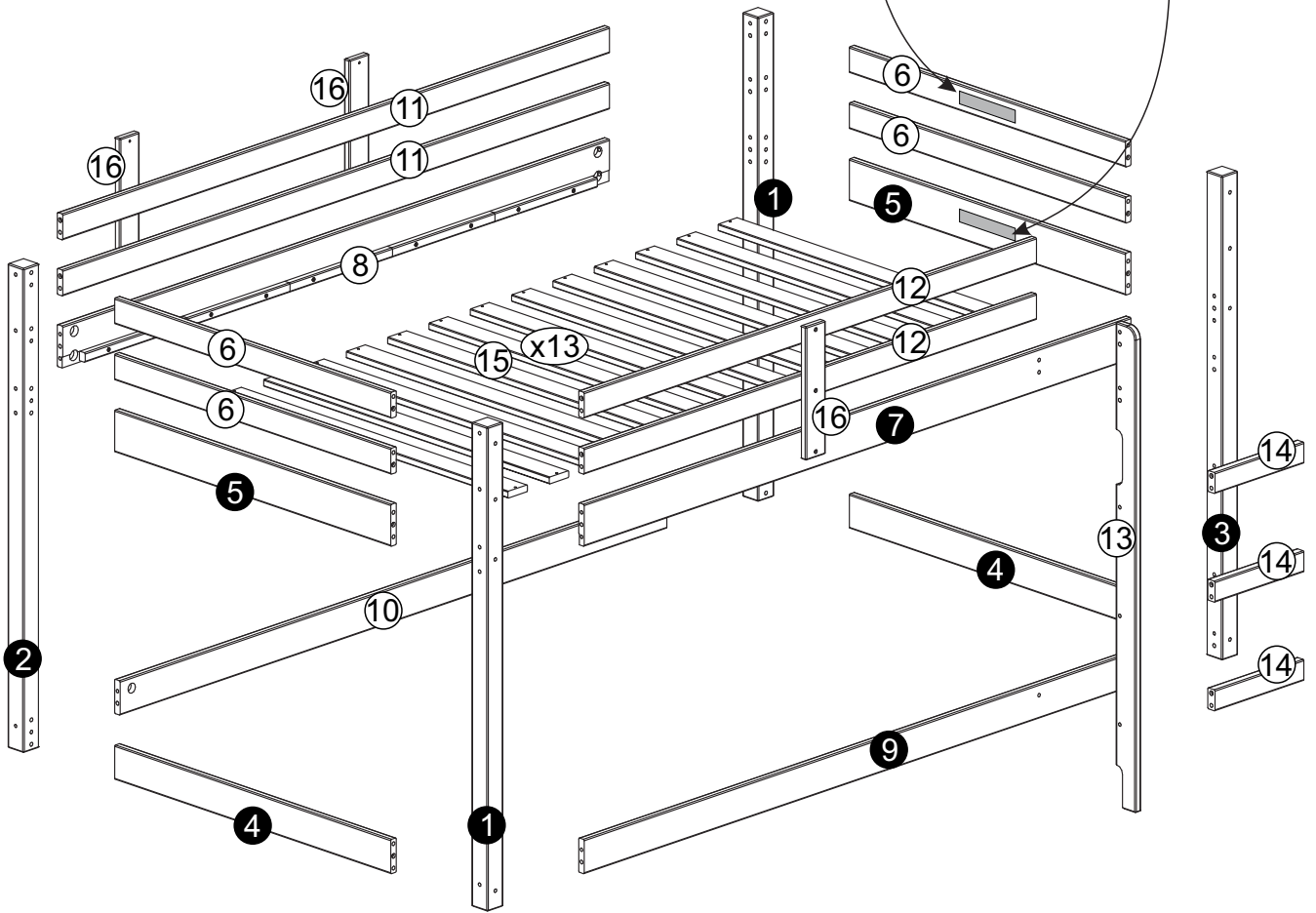


**IMPORTANT: PLEASE READ INSTRUCTIONS BEFORE STARTING THE ASSEMBLY**

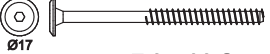




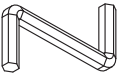
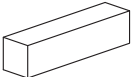
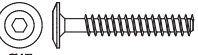
Part list: 38180 - 38185 - Loft Bed

**WARNING LABEL**

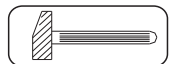
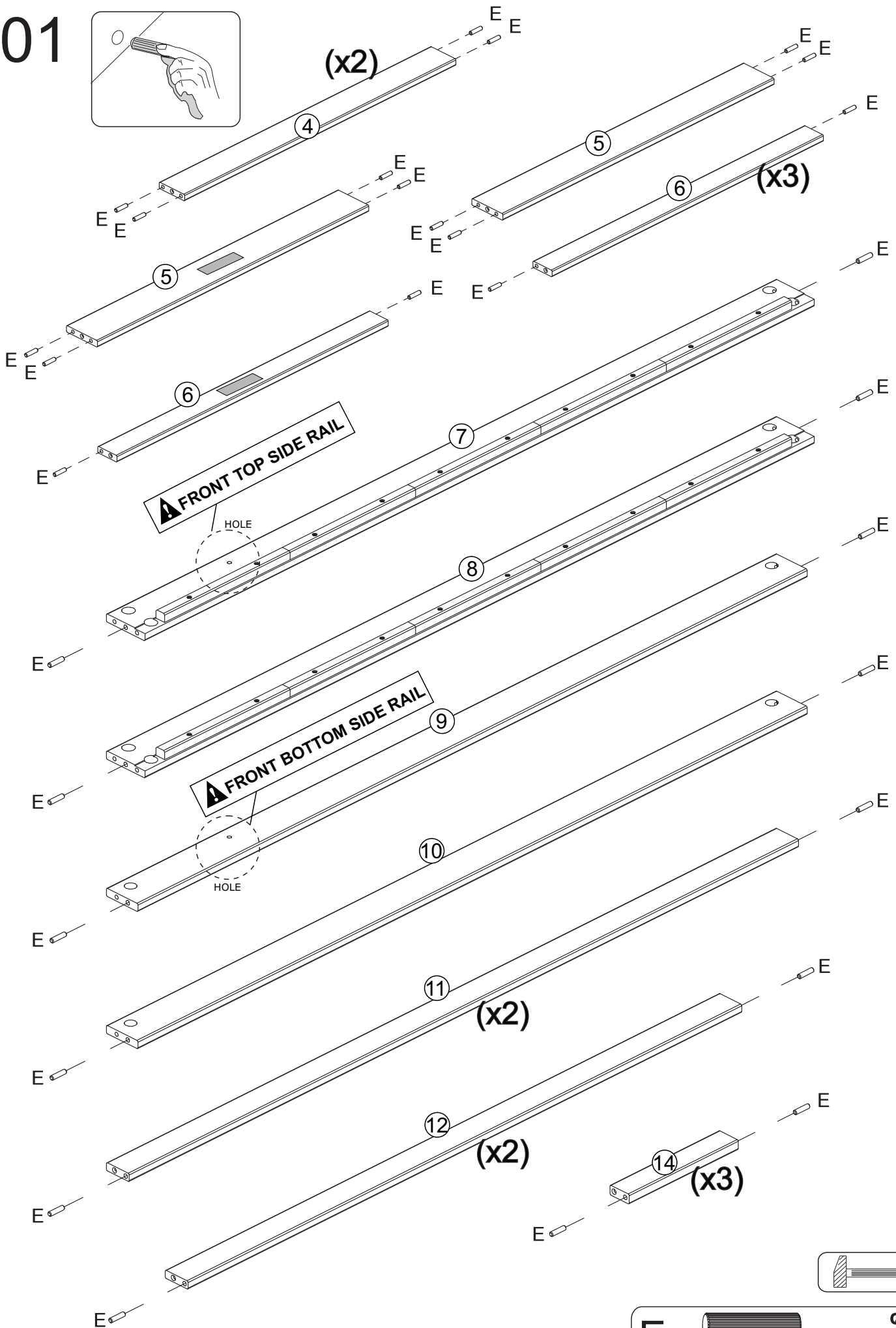
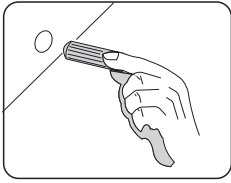
**CERTIFICATION LABEL**



Identifying the Hardware/part list - Identify the hardware using the illustrations below.

<b>A</b>  Qty <b>25</b> 7,0 x 90 Screw	<b>B</b>  Qty <b>12</b> 1/4" x 100 Screw	<b>C</b>  Qty <b>12</b> 1/4" Half Moon
<b>D</b>  Qty <b>35</b> 4,0 x 30 Screw	<b>E</b>  Qty <b>46</b> 10 x 40 Wood Dowel	<b>F</b>  Qty <b>01</b> Hex Screwdriver
<b>G</b>  Qty <b>02</b> Wooden spacer	<b>H</b>  Qty <b>08</b> 7,0 x 50 Screw	

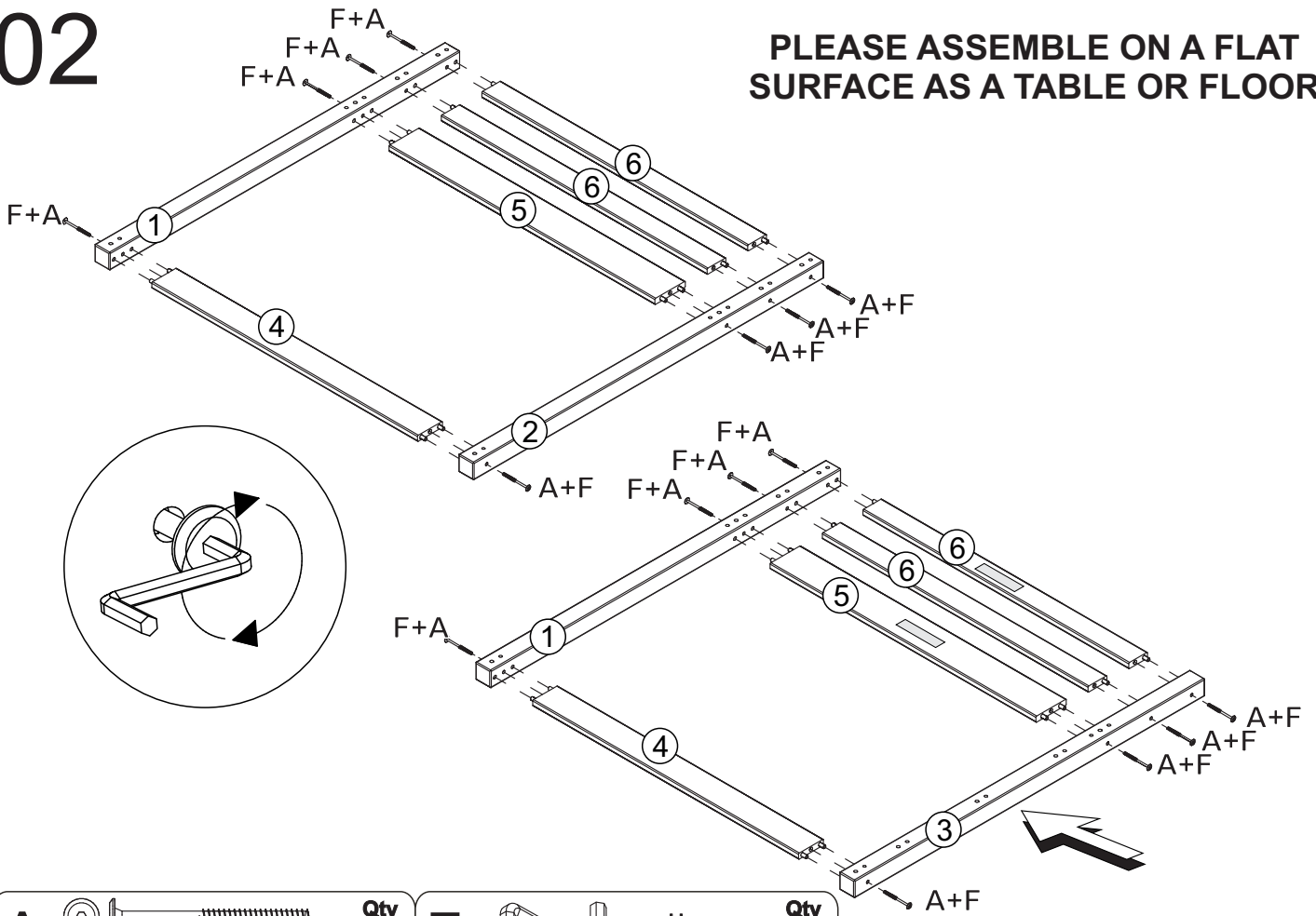
01



**E**  Qty **46**  
10 x 40 Wood Dowel

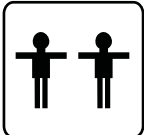
# 02

PLEASE ASSEMBLE ON A FLAT SURFACE AS A TABLE OR FLOOR

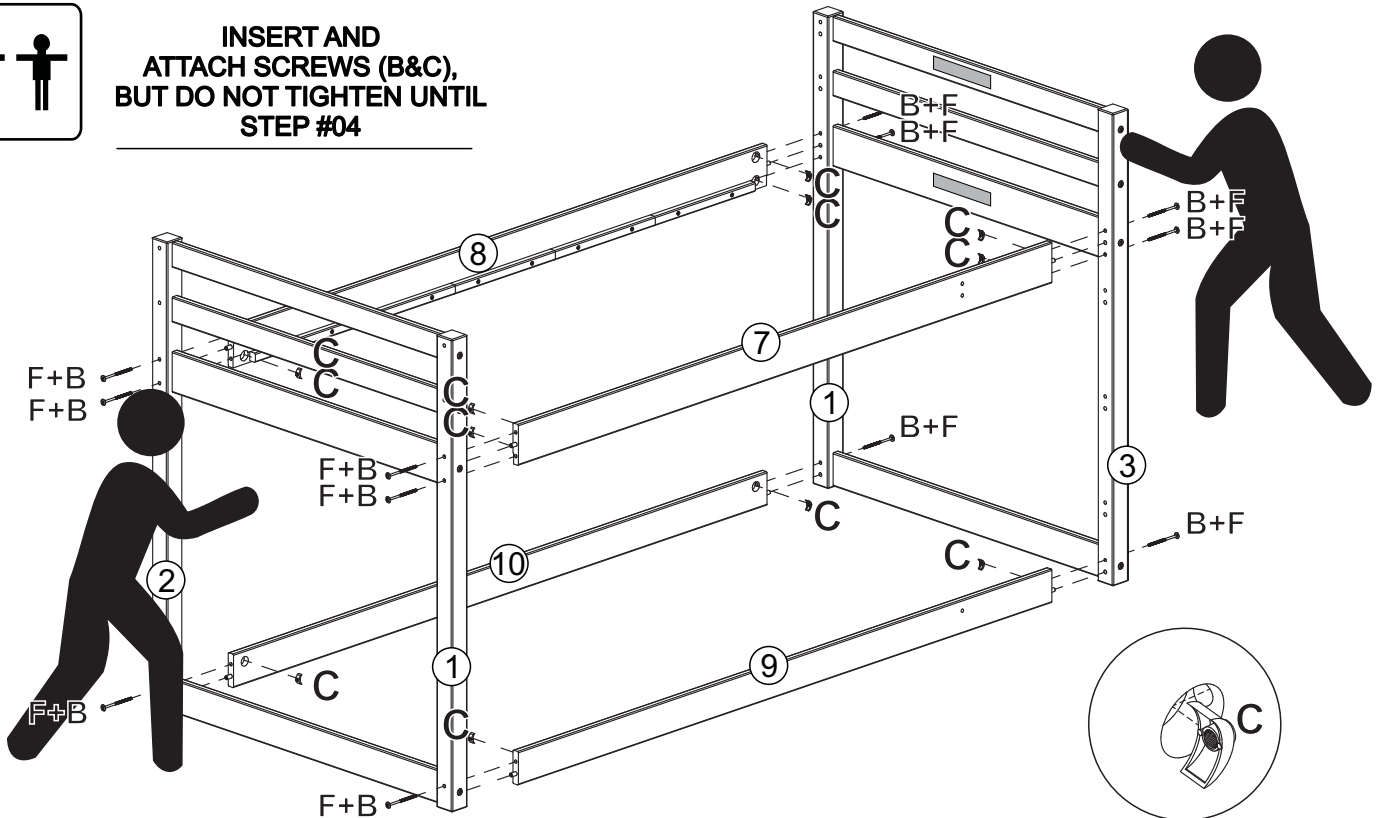




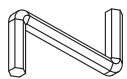
<b>A</b>		<b>Qty</b>	<b>F</b>		<b>Qty</b>
	7,0 x 90 Screw	<b>16</b>		Hex Screwdriver	<b>01</b>

# 03

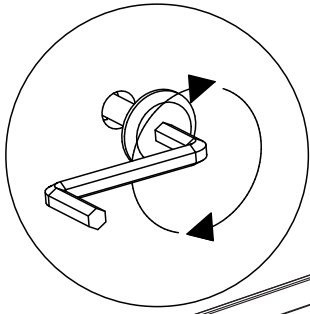


INSERT AND ATTACH SCREWS (B&C), BUT DO NOT TIGHTEN UNTIL STEP #04

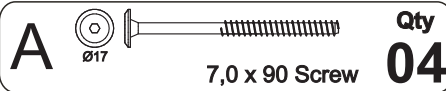
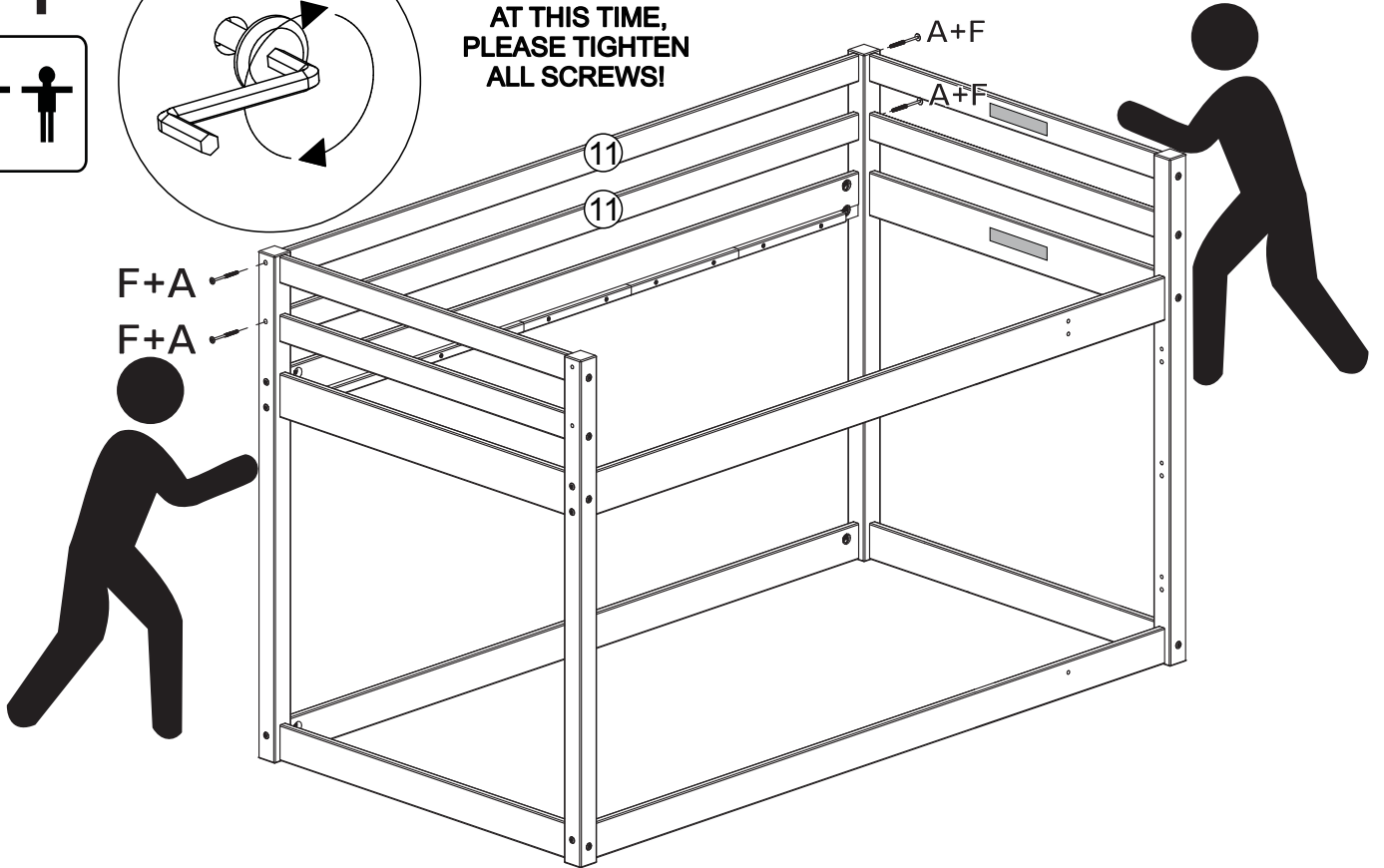


<b>B</b>		<b>Qty</b>	<b>C</b>		<b>Qty</b>	<b>F</b>		<b>Qty</b>
	1/4" x 100 Screw	<b>12</b>		1/4" Half Moon	<b>12</b>		Hex Screwdriver	<b>01</b>

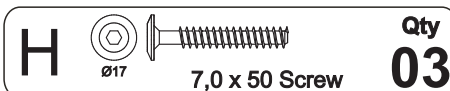
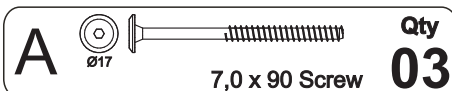
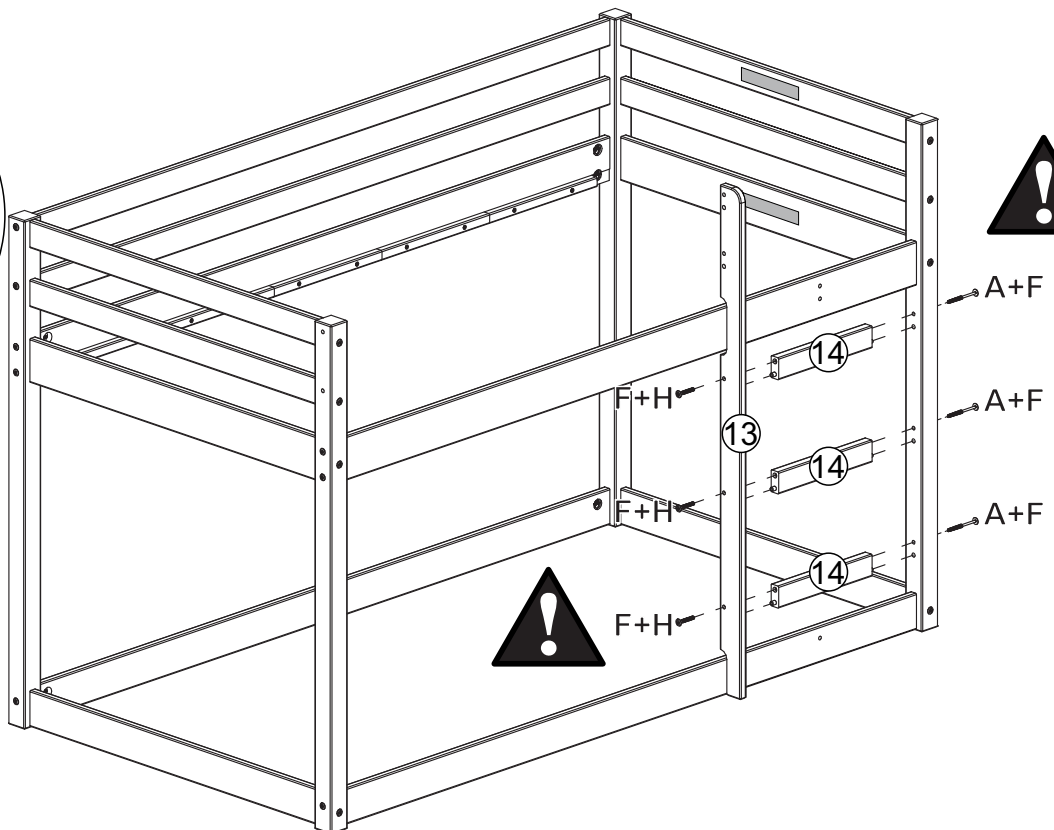
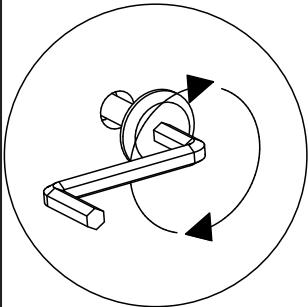
# 04



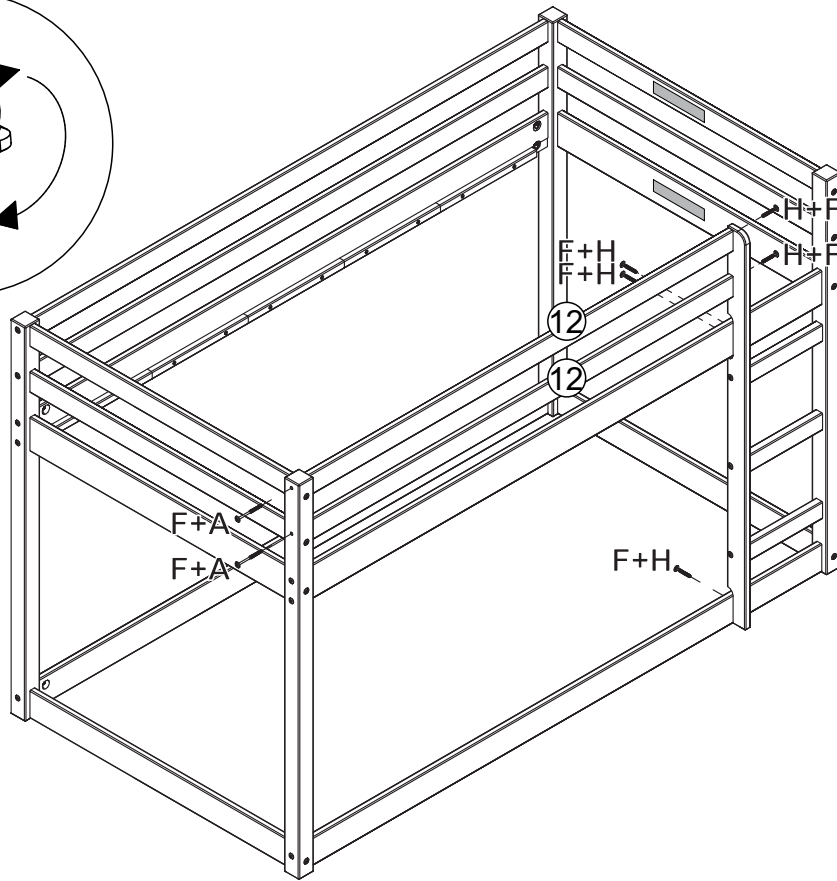
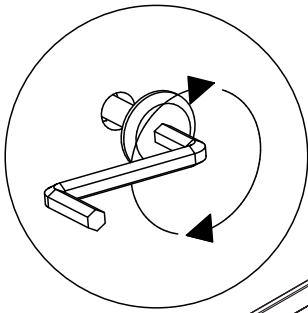
**AFTER ATTACHED  
SCREWS "A"  
AT THIS TIME,  
PLEASE TIGHTEN  
ALL SCREWS!**





# 05



# 06

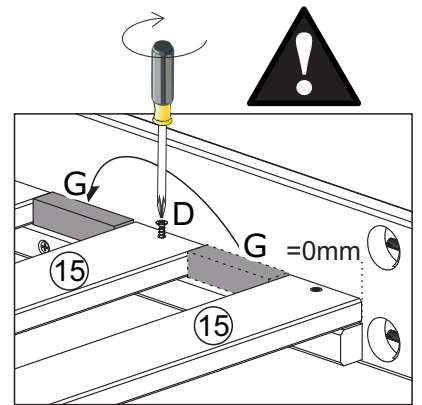
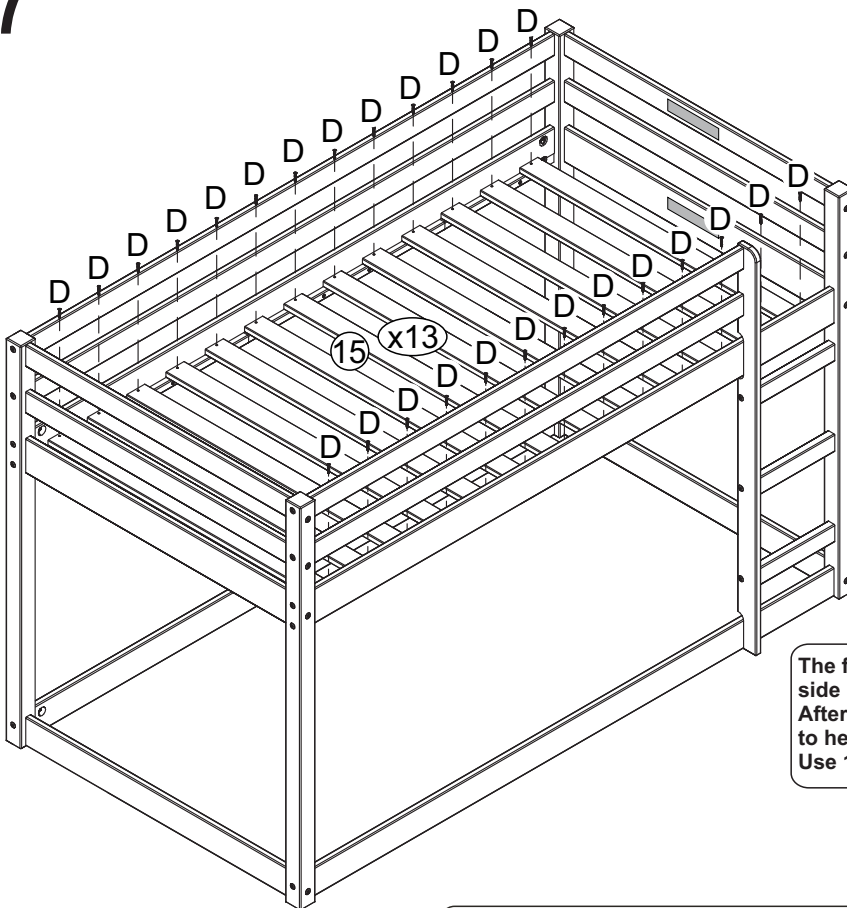


**A**  **Qty 02**  
7,0 x 90 Screw

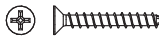
**H**  **Qty 05**  
7,0 x 50 Screw

**F**  **Qty 01**  
Hex Screwdriver

# 07

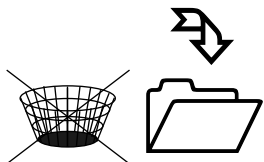
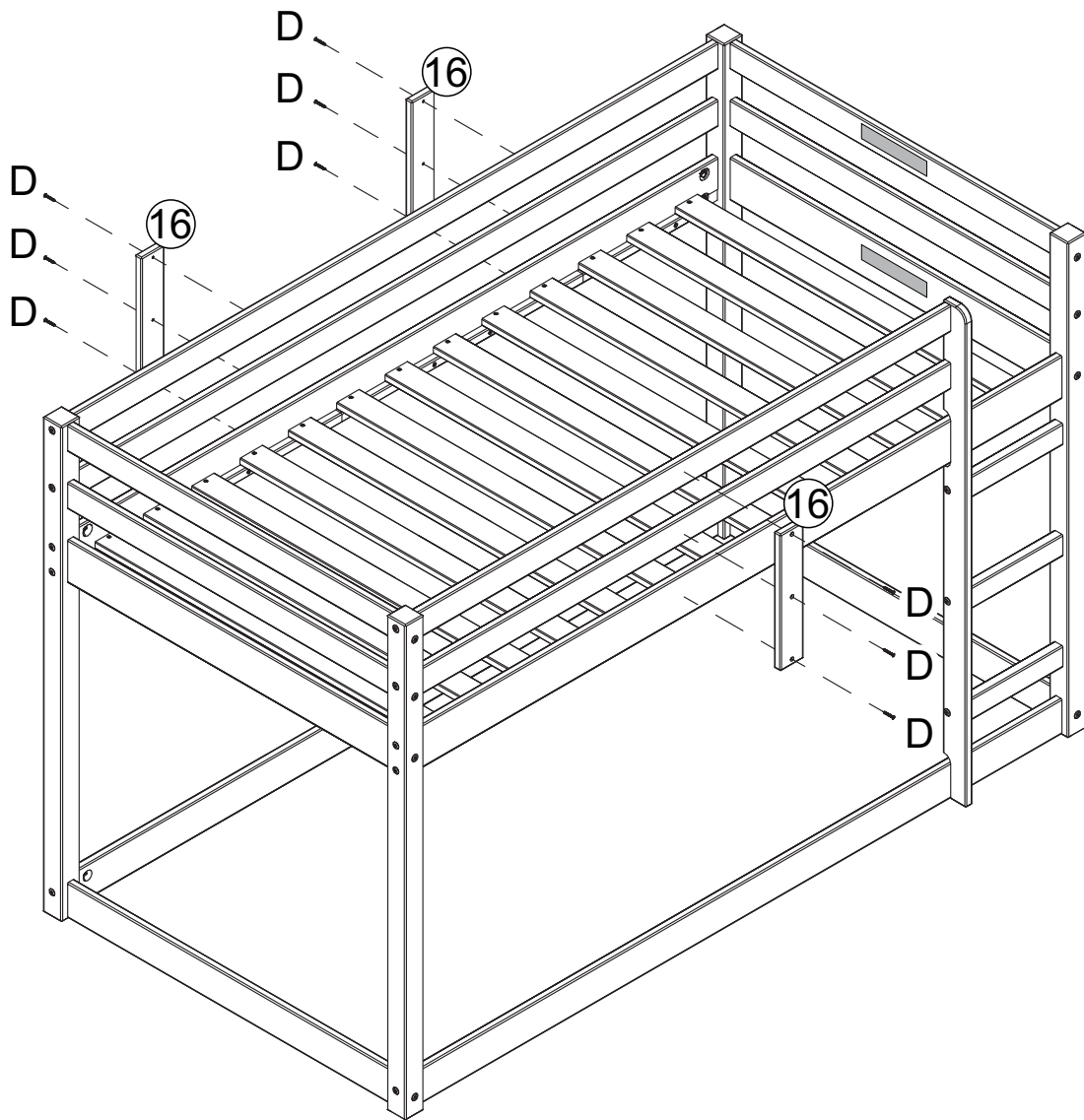


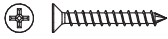
The first slats must be fixed to the end of the side rail bracket.  
After fixed the first slat use the hardware letter G to help define the space between each next slats.  
Use 1-G on the left side rail and 1-G on the right side rail

**D**  **Qty 26**  
4,0 x 30 Screw

**G**  **Qty 02**  
Wooden spacer

# 08



<b>D</b>		<b>Qty</b>
	4,0 x 30 Screw	<b>09</b>