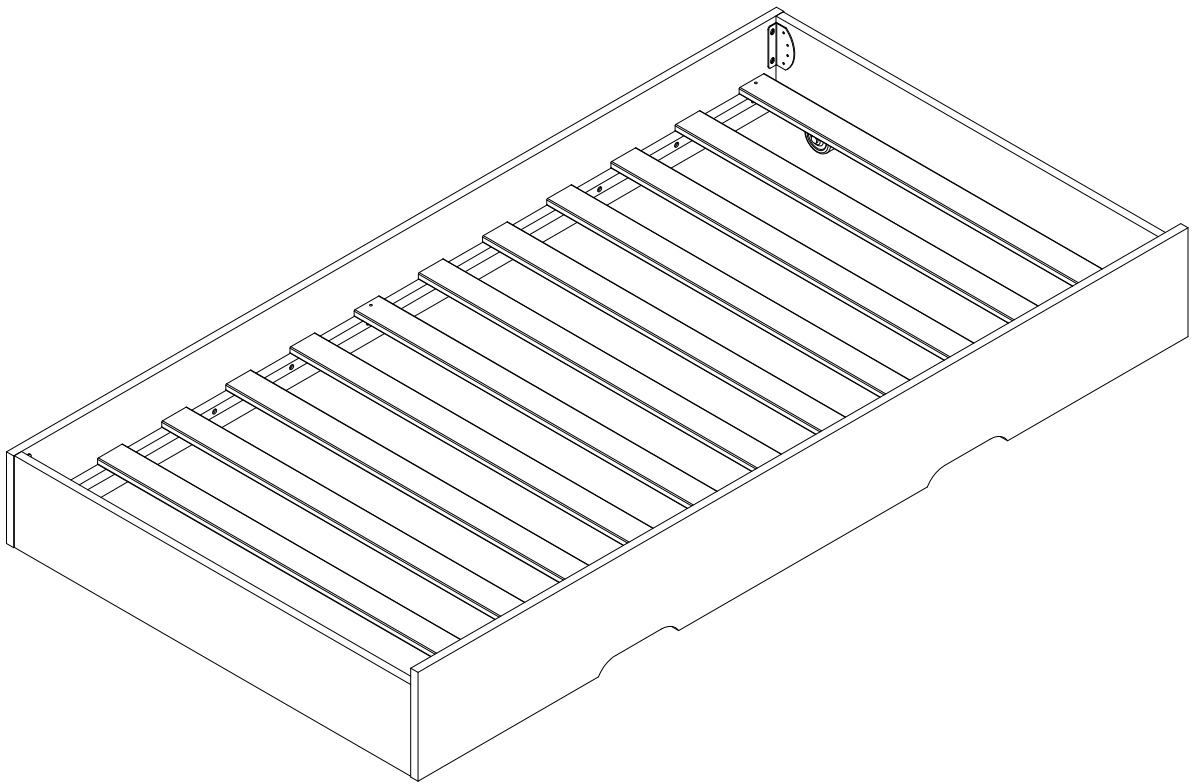


ASSEMBLY INSTRUCTION

MODEL : 38165 TRUNDLE BED (990 x 1880)MM

ACME FURNITURE



HARDWARE LIST

A 8 PCS



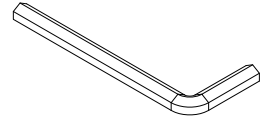
JCBB BOLT (M8 x 16MM)

B 6 PCS



CSK C/B SCREW (M4 x 32MM)

C 1 PC



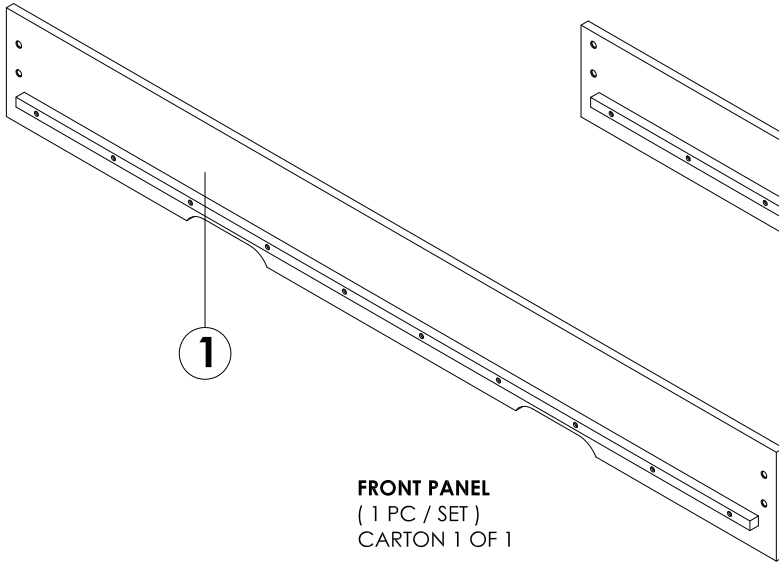
ALLEN KEY (M5 x 60MM)



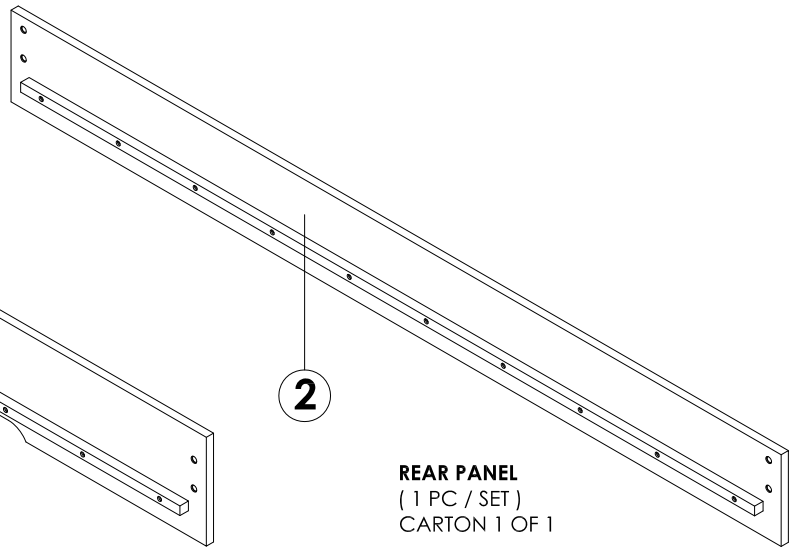
Do not recommend the use of power drills/drivers for inserting bolts/screws as this could damage the unit.

Tools Required :
Crosshead Screw Driver

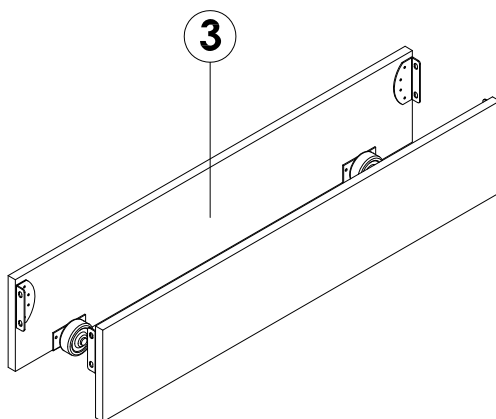
PART LIST



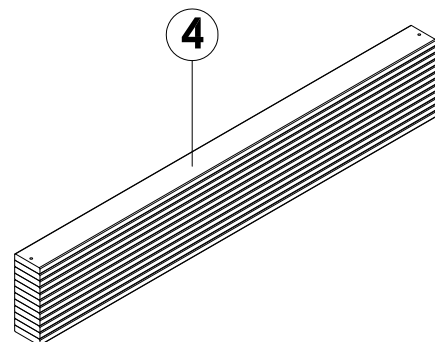
FRONT PANEL
(1 PC / SET)
CARTON 1 OF 1



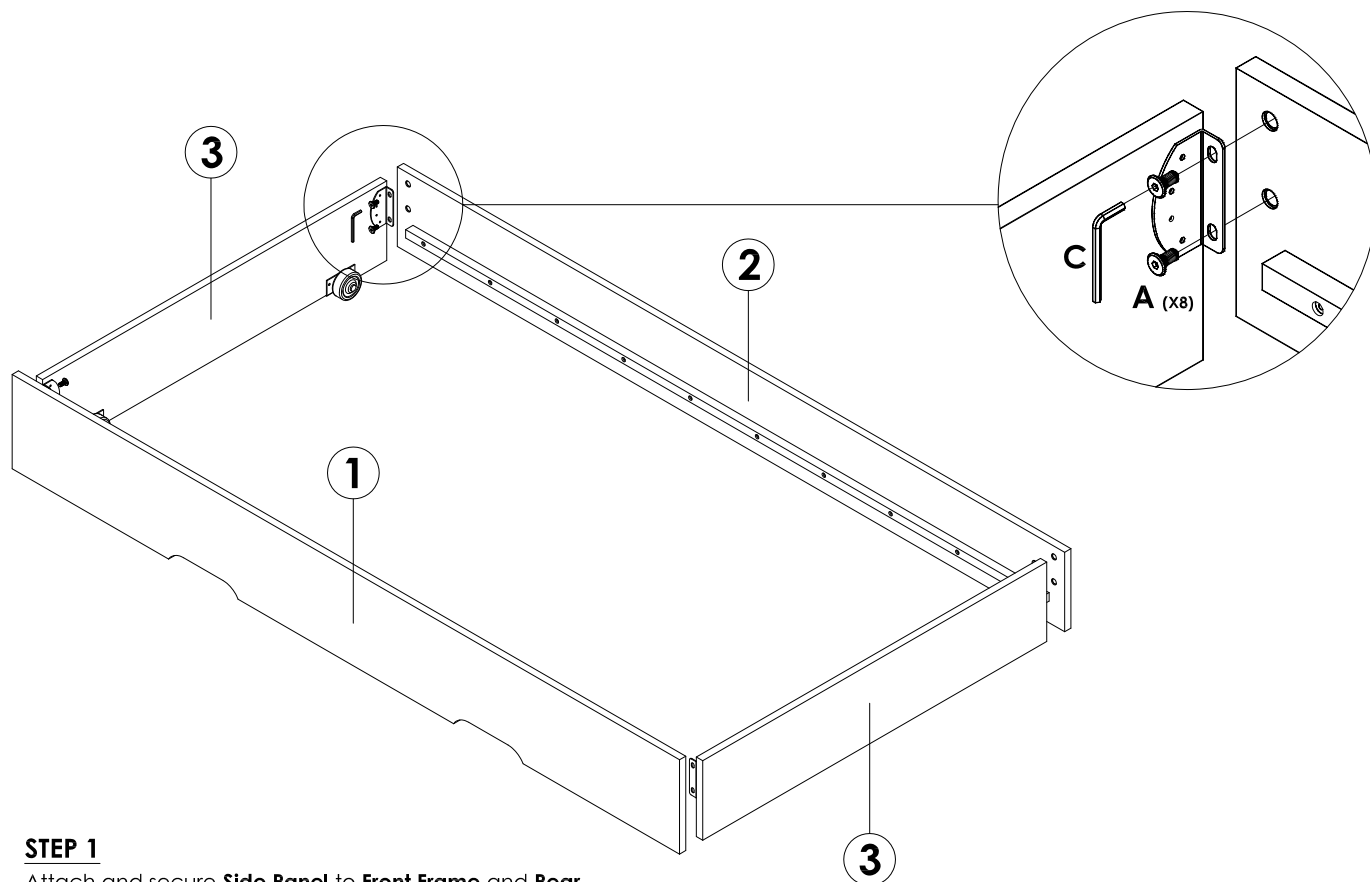
REAR PANEL
(1 PC / SET)
CARTON 1 OF 1



SIDE PANEL
(2 PCS / SET)
CARTON 1 OF 1

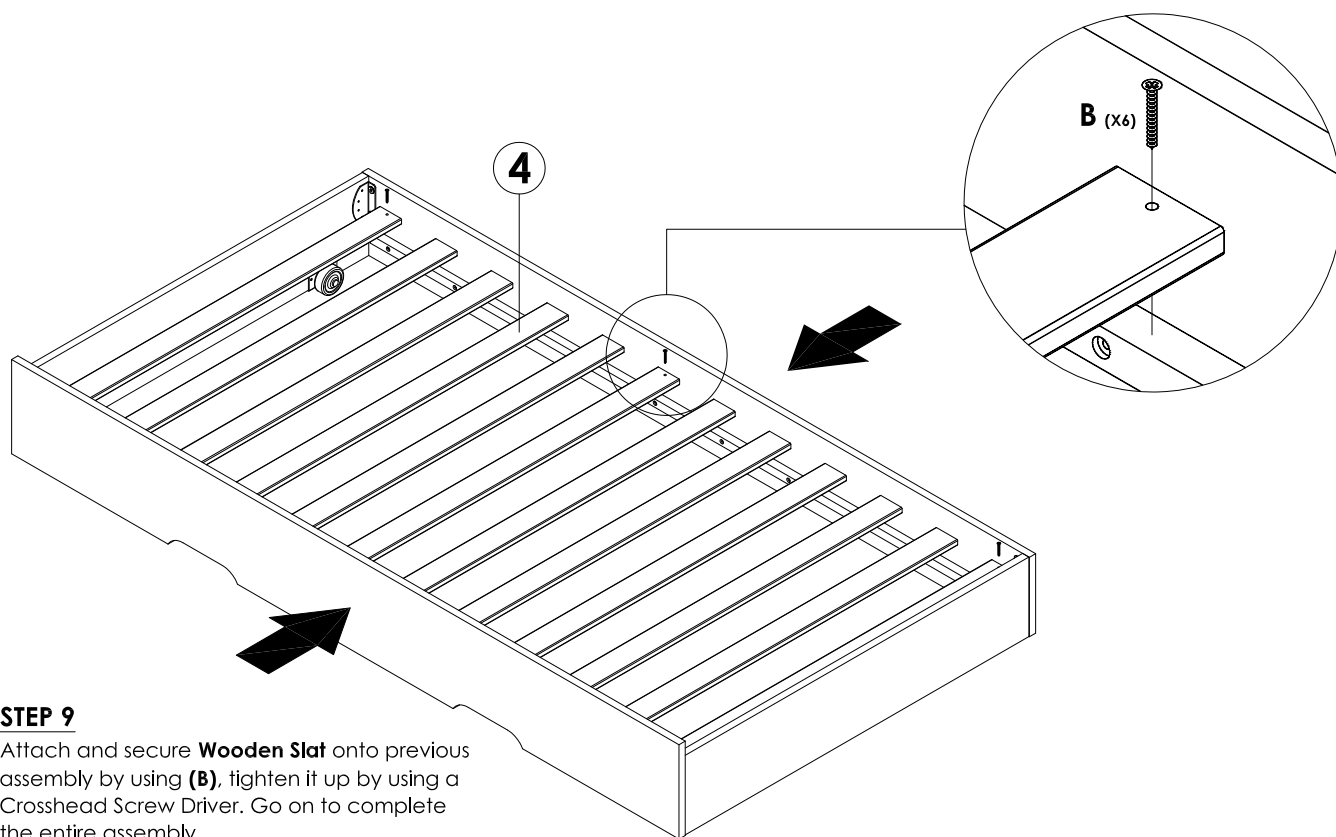


WOODEN SLAT
(12 PCS / SET)
CARTON 1 OF 1



STEP 1

Attach and secure **Side Panel** to **Front Frame** and **Rear Frame** by using hardware **(A)**, tighten it up by using **(C)**.



STEP 9

Attach and secure **Wooden Slat** onto previous assembly by using **(B)**, tighten it up by using a Crosshead Screw Driver. Go on to complete the entire assembly.

* Align both **Front Frame** and **Rear Frame** before tightening the screws.