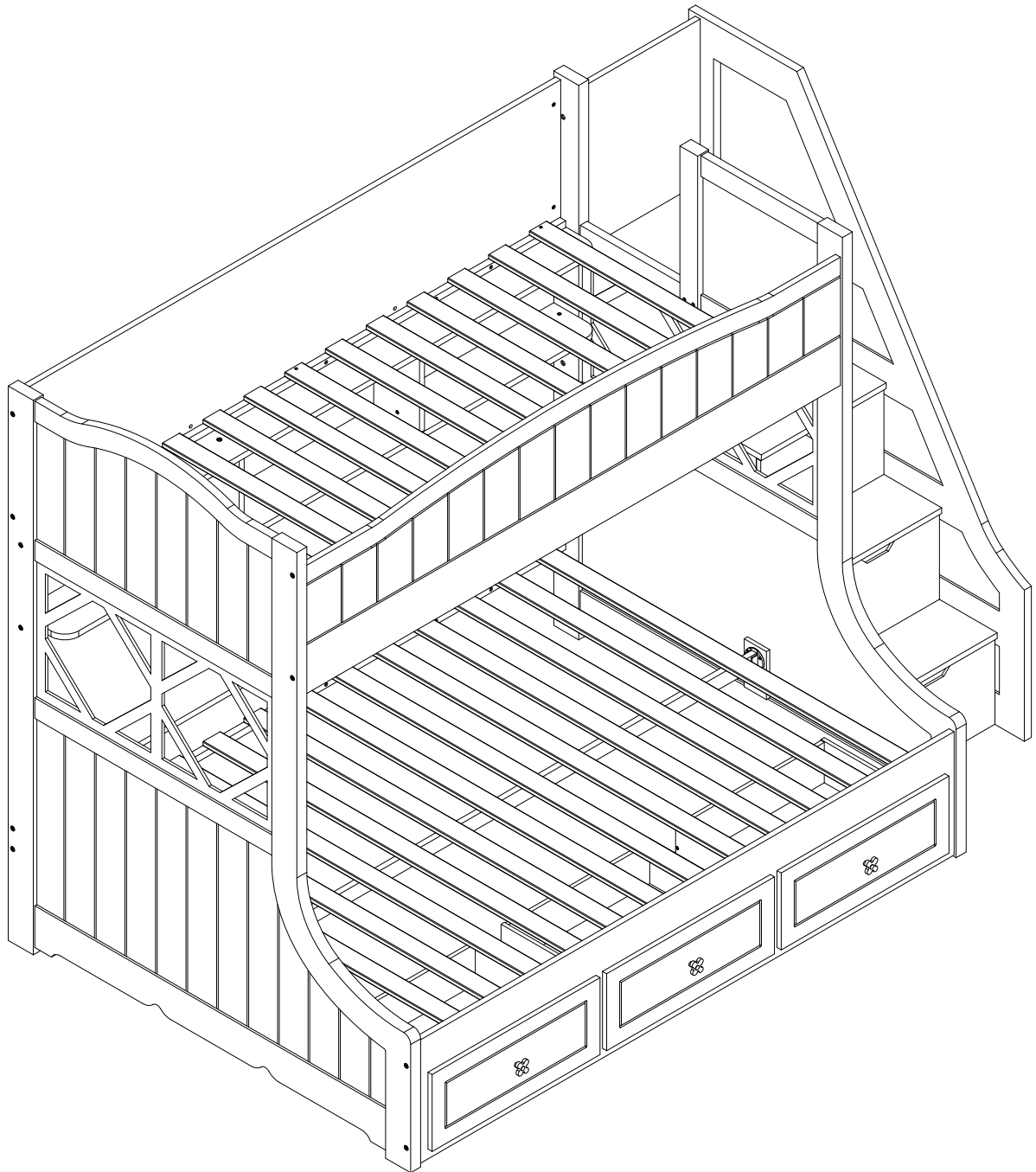


# ASSEMBLY INSTRUCTION

MODEL : 38150 TWIN & FULL BUNK BED WITH DRAWERS & STAIRCASE (990/1400 x 1930)MM

ACME FURNITURE



# READ THESE INSTRUCTIONS CAREFULLY BEFORE ATTEMPTING TO ASSEMBLE THIS BED.

## F1427-13 SAFETY WARNINGS AND GENERAL NOTES:

- Follow the information on the warnings appearing on the upper bunk bed end structure and on the carton. Do not remove the warning label from the bed.
- Always use the recommended size mattress or mattress support, or both, to help prevent the likelihood of entrapment or falls. (See Page 26)
- The top surface of the mattress must be at least 5" below the upper edge of the guardrails. (See Page 26)
- Do not allow children under 6 years of age to use the upper bunk.
- Periodically check and ensure the guardrail, ladder and other components are in their proper position, free from damage, and all connectors are tight.
- Prohibit horseplay on or under the bed. Always prohibit jumping on the bed.
- Prohibit more than one person on upper bunk.
- Always use the ladder for entering and leaving the upper bunk.
- Do not use substitute parts. Contact the manufacturer or dealer for replacement parts.
- Use of a night-light may provide added safety precaution for a child using the upper bunk.
- Always use guardrails on both long sides of the upper bunk.
- If the bunk bed will be placed next to a wall, the guardrail that runs the full length of the bed should be placed against the wall to prevent entrapment between the bed and the wall.
- The use of water or sleep flotation mattresses is prohibited.
- Keep these instructions for future reference.
- We recommend assembling your bunk bed on the shipping carton to protect your floor or carpet. Be certain all staples are out of the box before beginning assembly on the shipping carton.

**STRANGULATION HAZARD** - Never attach or hang items to any part of the bunk bed that are not designed for use with the bed; for example, but not limited to, hooks, belts, and jumpropes.

## HARDWARE LIST TWIN & FULL BUNK BED (1)

<b>A</b> <span style="float: right;"><b>24 PCS</b></span>  PLASTIC DOWEL (M6 x 30MM)	<b>B</b> <span style="float: right;"><b>40 PCS</b></span>  PLASTIC DOWEL (M8 x 30MM)	<b>C</b> <span style="float: right;"><b>8 PCS</b></span>  JCBC BOLT (M6 x 35MM)
<b>D</b> <span style="float: right;"><b>6 PCS</b></span>  JCBC BOLT (M6 x 60MM)	<b>E</b> <span style="float: right;"><b>20 PCS</b></span>  JCBC BOLT (M6 x 70MM)	<b>F</b> <span style="float: right;"><b>26 PCS</b></span>  JRN NUT (M6 x 13MM)
<b>G</b> <span style="float: right;"><b>12 PCS</b></span>  CONNECTING BOLT (24MM)	<b>H</b> <span style="float: right;"><b>12 PCS</b></span>  MINIFIX (9MM)	<b>J</b> <span style="float: right;"><b>8 PCS</b></span>  CSK C/B SCREW (M3.5 x 16MM)
<b>K</b> <span style="float: right;"><b>18 PCS</b></span>  CSK C/B SCREW (M4 x 32MM)	<b>L</b> <span style="float: right;"><b>2 PCS</b></span>  P/H RATTAN SCREW (#8 x 25MM)	<b>M</b> <span style="float: right;"><b>3 PCS</b></span>  P/H M SCREW (M4 x 20MM)
<b>N</b> <span style="float: right;"><b>2 PCS</b></span>  NYLON WASHER (M6 x 20 x 8MM)	<b>P</b> <span style="float: right;"><b>12 PCS</b></span>  EURO NYLON	<b>Q</b> <span style="float: right;"><b>2 PCS</b></span>  944 BED BRACKET
<b>R</b> <span style="float: right;"><b>2 PCS</b></span>  2 HOLE L BRACKET (36 x 14 x 2MM)	<b>S</b> <span style="float: right;"><b>4 PCS</b></span>  BASE GLIDE L190 (M6 x 23MM)	<b>T</b> <span style="float: right;"><b>3 PCS</b></span>  HANDLE 8121
<b>U</b> <span style="float: right;"><b>1 PC</b></span>  ALLEN KEY (M4 x 60MM)		

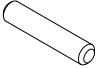
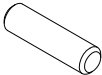
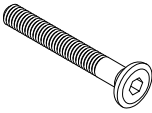
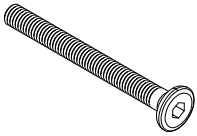
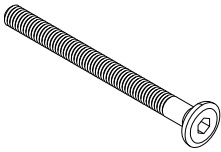


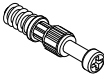




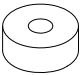

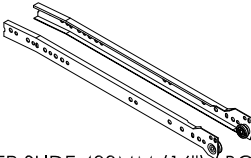
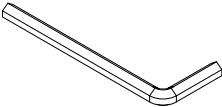
- The assembly will require at least two people to complete.
- Make sure all the fasteners are tight.
- Due to the size of this bed, It must be assembled within the space it will occupy.
- Above all, take your time and read the instruction carefully.



**Do not recommend the use of power drills/drivers for inserting bolts/screws as this could damage the unit.**

**Tools Required :**  
**Crosshead Screw Driver**

## HARDWARE LIST RACK LADDER (2)

<b>A</b> <span style="float: right;"><b>32 PCS</b></span>  PLASTIC DOWEL (M6 x 30MM)	<b>B</b> <span style="float: right;"><b>44 PCS</b></span>  PLASTIC DOWEL (M8 x 30MM)	<b>C</b> <span style="float: right;"><b>1 PC</b></span>  JCBC BOLT (M6 x 45MM)
<b>D</b> <span style="float: right;"><b>23 PCS</b></span>  JCBC BOLT (M6 x 60MM)	<b>E</b> <span style="float: right;"><b>4 PCS</b></span>  JCBC BOLT (M6 x 70MM)	<b>F</b> <span style="float: right;"><b>27 PCS</b></span>  JRN NUT (M6 x 13MM)
<b>G</b> <span style="float: right;"><b>1 PC</b></span>  JCN NUT (M6 x 12MM)	<b>H</b> <span style="float: right;"><b>30 PCS</b></span>  CONNECTING BOLT (24MM)	<b>J</b> <span style="float: right;"><b>16 PCS</b></span>  MINIFIX (9MM)
<b>K</b> <span style="float: right;"><b>14 PCS</b></span>  MINIFIX (12MM)	<b>L</b> <span style="float: right;"><b>16 PCS</b></span>  CSK C/B SCREW (M3.5 x 16MM)	<b>M</b> <span style="float: right;"><b>8 PCS</b></span>  CSK C/B SCREW (M4 x 32MM)
<b>N</b> <span style="float: right;"><b>1 PC</b></span>  NYLON WASHER (M6 x 20 x 8MM)	<b>P</b> <span style="float: right;"><b>30 PCS</b></span>  EURO NYLON	<b>Q</b> <span style="float: right;"><b>8 PCS</b></span>  DRAWER SLIDE 400MM (16") - BOTTOM L&R
<b>R</b> <span style="float: right;"><b>2 PCS</b></span>  ALLEN KEY (M4 x 60MM)		

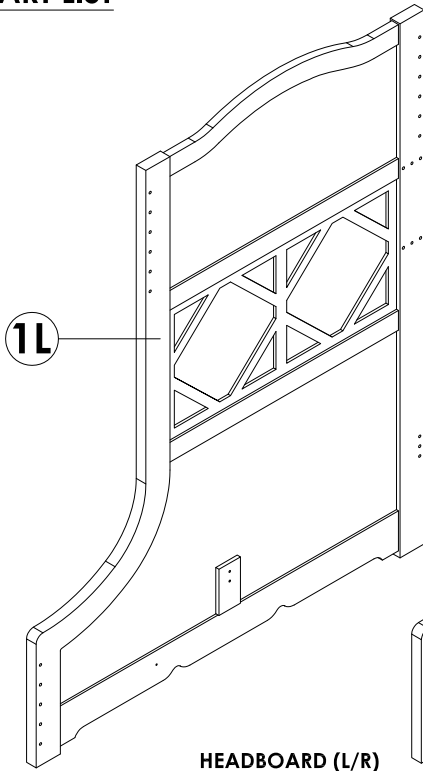
- The assembly will require at least two people to complete.
- Make sure all the fasteners are tight.
- Due to the size of this bed, It must be assembled within the space it will occupy.
- Above all, take your time and read the instruction carefully.



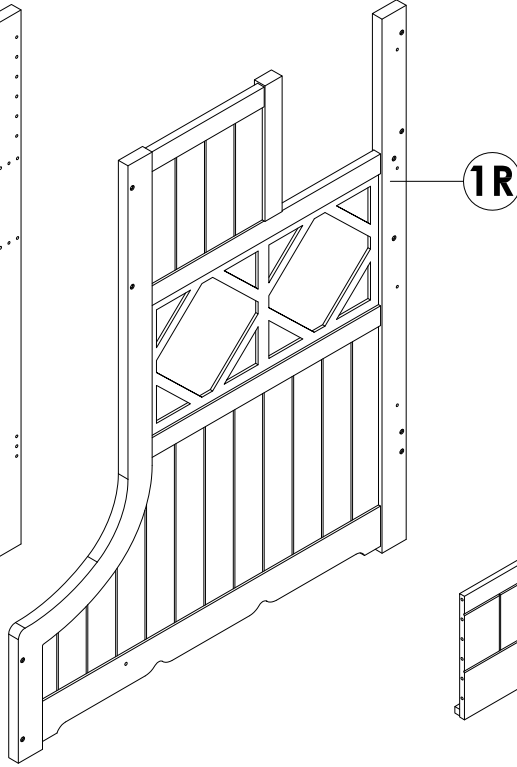
**Do not recommend the use of power drills/drivers for inserting bolts/screws as this could damage the unit.**

**Tools Required :**  
Crosshead Screw Driver

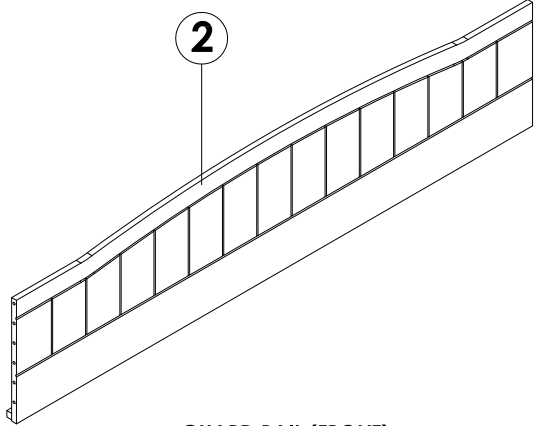
**PART LIST**



**HEADBOARD (L/R)**  
( 2 PCS / SET )  
CARTON 1 OF 7

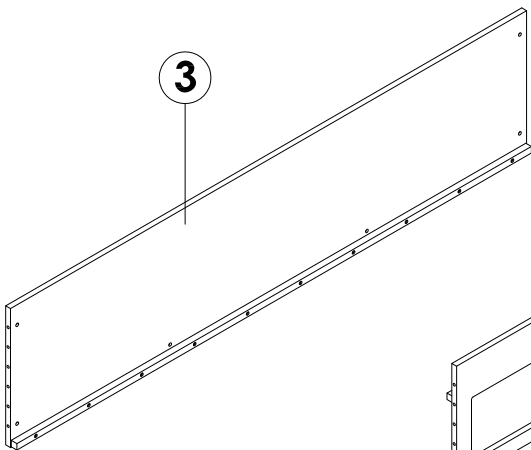


**1R**



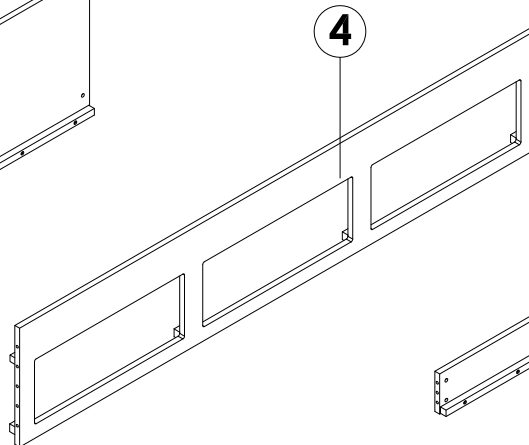
**2**

**GUARD RAIL (FRONT)**  
( 1 PC / SET )  
CARTON 2 OF 7



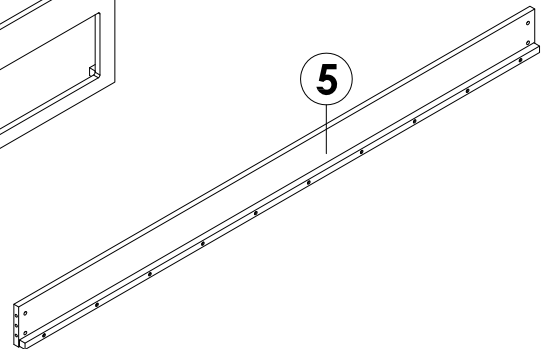
**3**

**GUARD RAIL (REAR)**  
( 1 PC / SET )  
CARTON 2 OF 7



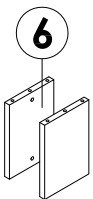
**4**

**SIDE RAIL (FRONT)**  
( 1 PC / SET )  
CARTON 2 OF 7



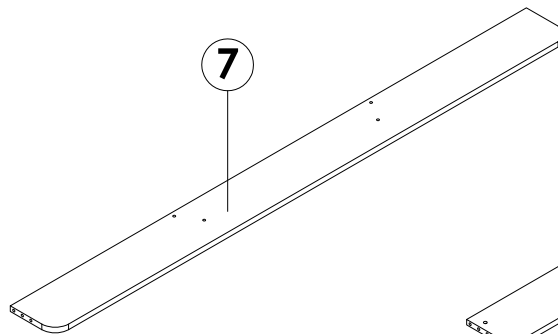
**5**

**SIDE RAIL (REAR)**  
( 1 PC / SET )  
CARTON 2 OF 7



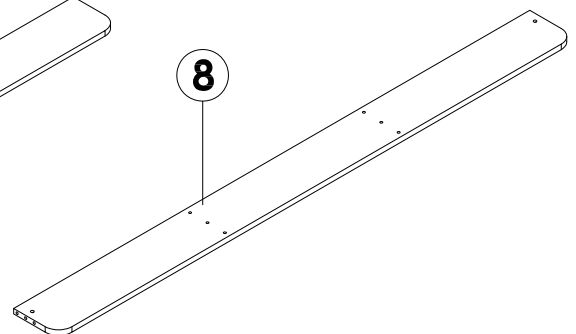
**6**

**DIVIDER**  
( 2 PCS / SET )  
CARTON 3 OF 7



**7**

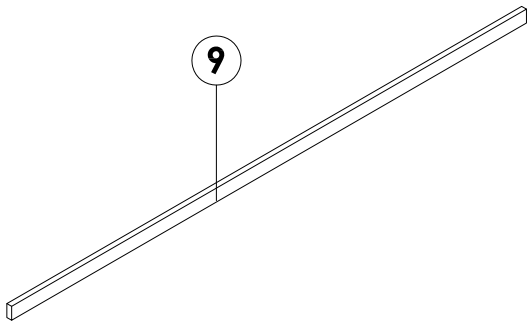
**TOP SHELF**  
( 1 PC / SET )  
CARTON 3 OF 7



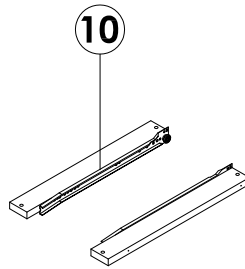
**8**

**BOTTOM SHELF**  
( 1 PC / SET )  
CARTON 3 OF 7

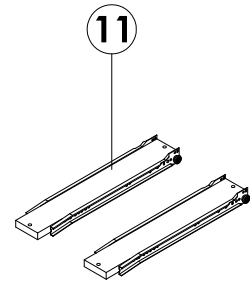
**PART LIST**



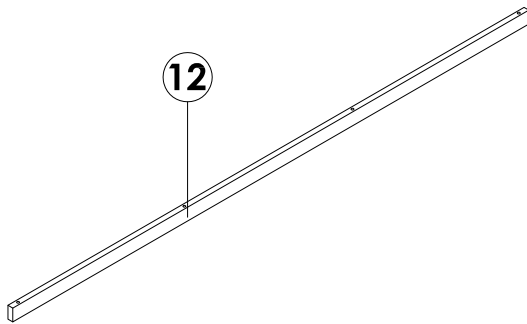
**CENTER SUPPORT**  
(1 PC / SET)  
CARTON 2 OF 7



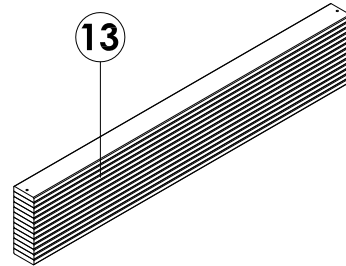
**DRAWER SUPPORT (SIDE)**  
(2 PCS / SET)  
CARTON 2 OF 7



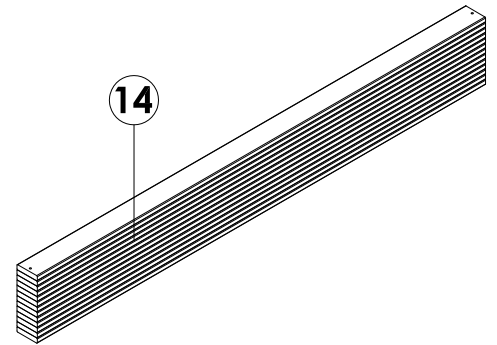
**DRAWER SUPPORT (CENTER)**  
(2 PCS / SET)  
CARTON 2 OF 7



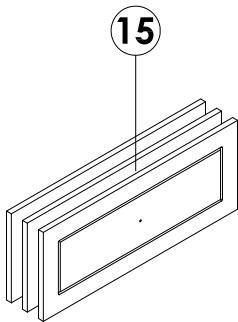
**DRAWER SUPPORT (REAR)**  
(1 PC / SET)  
CARTON 2 OF 7



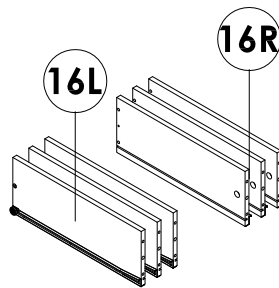
**WOODEN SLAT (TOP)**  
(13 PCS / SET)  
CARTON 4 OF 7



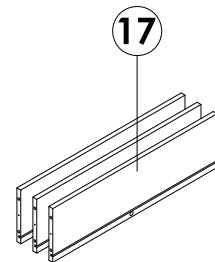
**WOODEN SLAT (BOTTOM)**  
(13 PCS / SET)  
CARTON 5 OF 7



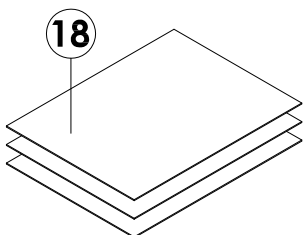
**DRAWER FACE**  
(3 PCS / SET)  
CARTON 2 OF 7



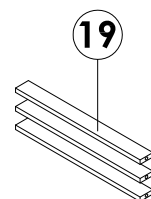
**DRAWER SIDE (L/R)**  
(6 PCS / SET)  
CARTON 2 OF 7



**DRAWER REAR**  
(3 PCS / SET)  
CARTON 2 OF 7

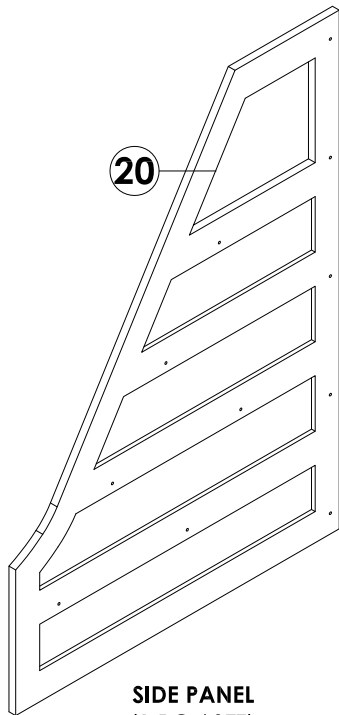


**DRAWER BASE**  
(3 PCS / SET)  
CARTON 2 OF 7

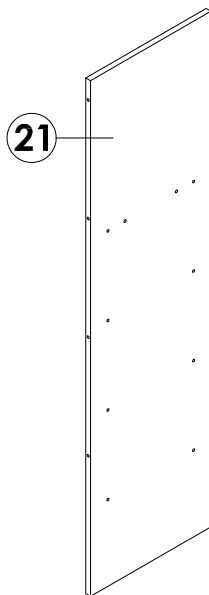


**DRAWER SUPPORT (BASE)**  
(3 PCS / SET)  
CARTON 2 OF 7

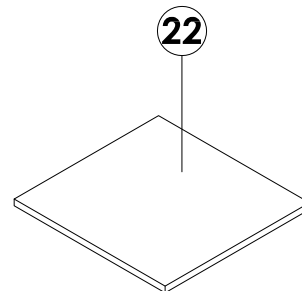
**PART LIST RACK LADDER (2)**



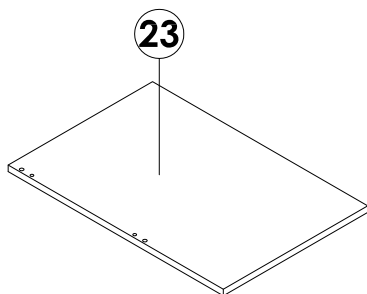
**20**  
**SIDE PANEL**  
 (1 PC / SET)  
 CARTON 6 OF 7



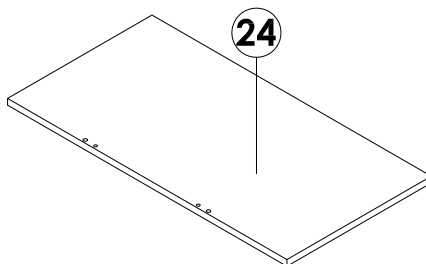
**21**  
**REAR PANEL**  
 (1 PC / SET)  
 CARTON 6 OF 7



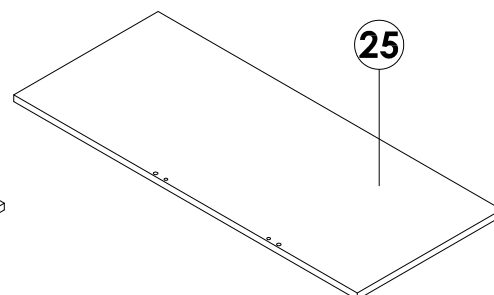
**22**  
**TOP SHELF**  
 (1 PC / SET)  
 CARTON 7 OF 7



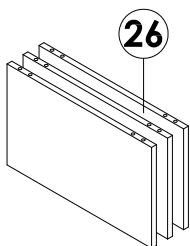
**23**  
**2ND SHELF**  
 (1 PC / SET)  
 CARTON 7 OF 7



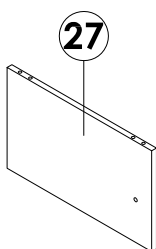
**24**  
**3RD SHELF**  
 (1 PC / SET)  
 CARTON 7 OF 7



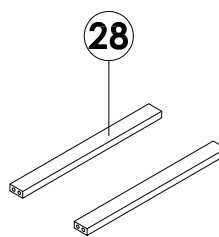
**25**  
**BOTTOM SHELF**  
 (1 PC / SET)  
 CARTON 7 OF 7



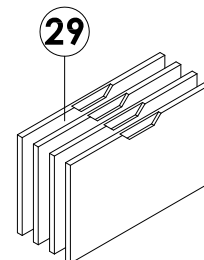
**26**  
**SUPPORT PANEL**  
 (3 PCS / SET)  
 CARTON 6 OF 7



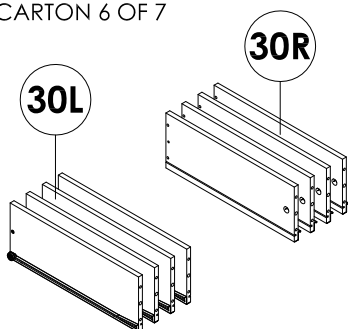
**27**  
**SUPPORT PANEL (BOTTOM)**  
 (1 PC / SET)  
 CARTON 6 OF 7



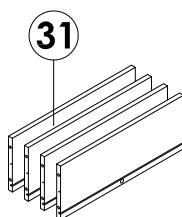
**28**  
**SUPPORT RAIL**  
 (2 PCS / SET)  
 CARTON 7 OF 7



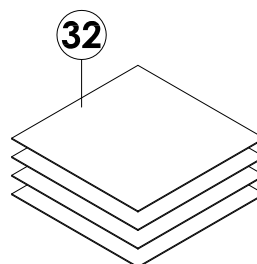
**29**  
**DRAWER FACE**  
 (4 PCS / SET)  
 CARTON 7 OF 7



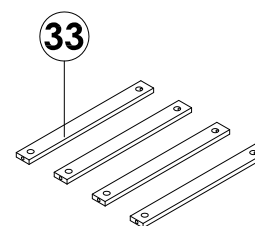
**30L**  
**30R**  
**DRAWER SIDE (L/R)**  
 (8 PCS / SET)  
 CARTON 7 OF 7



**31**  
**DRAWER REAR**  
 (4 PCS / SET)  
 CARTON 7 OF 7



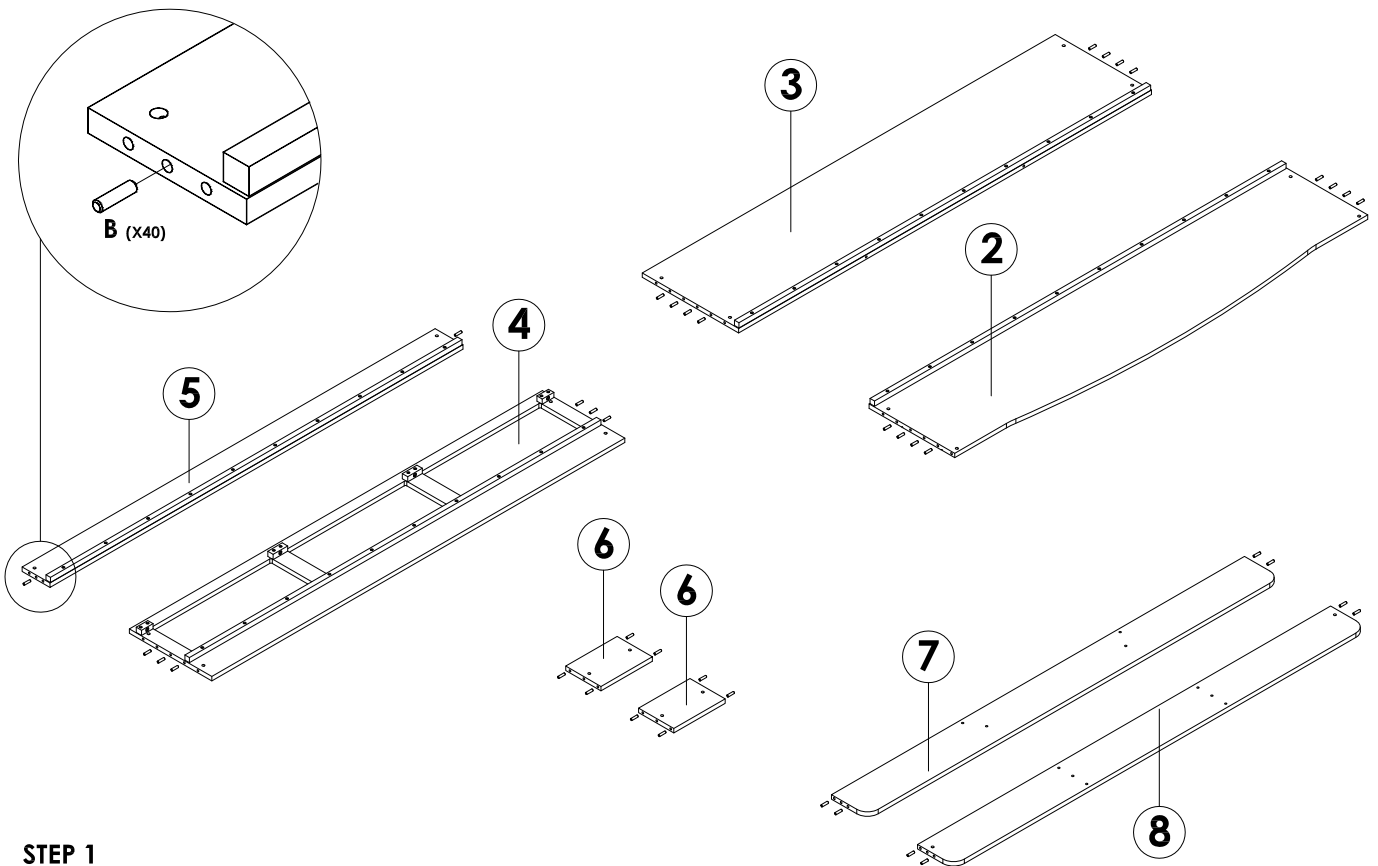
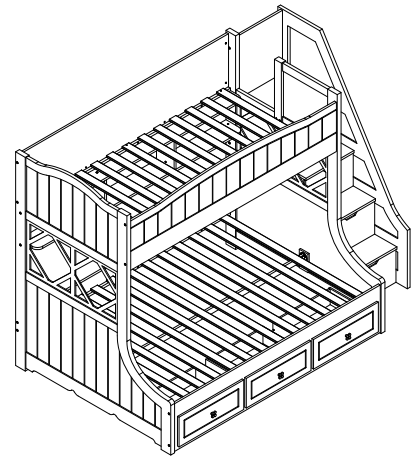
**32**  
**DRAWER BASE**  
 (4 PCS / SET)  
 CARTON 7 OF 7



**33**  
**DRAWER SUPPORT BASE**  
 (4 PCS / SET)  
 CARTON 7 OF 7

**HARDWARE LIST TWIN & FULL BUNK BED (1)**

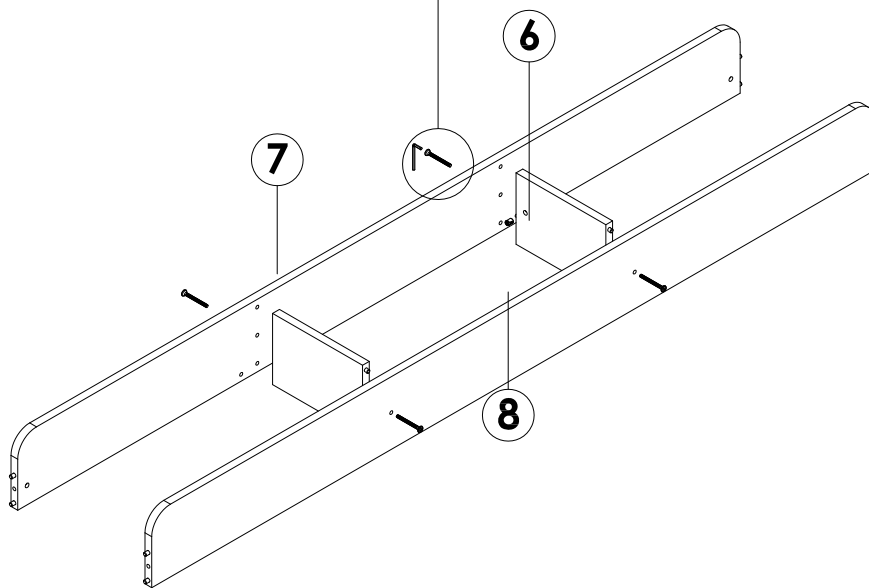
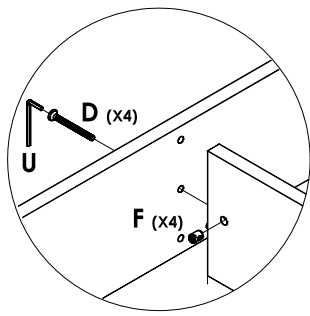
<p><b>A</b> 24 PCS</p>  <p>PLASTIC DOWEL (M6 x 30MM)</p>	<p><b>B</b> 40 PCS</p>  <p>PLASTIC DOWEL (M8 x 30MM)</p>	<p><b>C</b> 8 PCS</p>  <p>JCBC BOLT (M6 x 35MM)</p>
<p><b>D</b> 6 PCS</p>  <p>JCBC BOLT (M6 x 60MM)</p>	<p><b>E</b> 20 PCS</p>  <p>JCBC BOLT (M6 x 70MM)</p>	<p><b>F</b> 26 PCS</p>  <p>JRN NUT (M6 x 13MM)</p>
<p><b>G</b> 12 PCS</p>  <p>CONNECTING BOLT (24MM)</p>	<p><b>H</b> 12 PCS</p>  <p>MINIFIX (9MM)</p>	<p><b>J</b> 8 PCS</p>  <p>CSK C/B SCREW (M3.5 x 16MM)</p>
<p><b>K</b> 18 PCS</p>  <p>CSK C/B SCREW (M4 x 32MM)</p>	<p><b>L</b> 2 PCS</p>  <p>P/H RATTAN SCREW (#8 x 25MM)</p>	<p><b>M</b> 3 PCS</p>  <p>P/H M SCREW (M4 x 20MM)</p>
<p><b>N</b> 2 PCS</p>  <p>NYLON WASHER (M6 x 20 x 8MM)</p>	<p><b>P</b> 12 PCS</p>  <p>EURO NYLON</p>	<p><b>Q</b> 2 PCS</p>  <p>944 BED BRACKET</p>
<p><b>R</b> 2 PCS</p>  <p>2 HOLE L BRACKET (36 x 14 x 2MM)</p>	<p><b>S</b> 4 PCS</p>  <p>BASE GLIDE L190 (M6 x 23MM)</p>	<p><b>T</b> 3 PCS</p>  <p>HANDLE 8121</p>
<p><b>U</b> 1 PC</p>  <p>ALLEN KEY (M4 x 60MM)</p>		



**STEP 1**

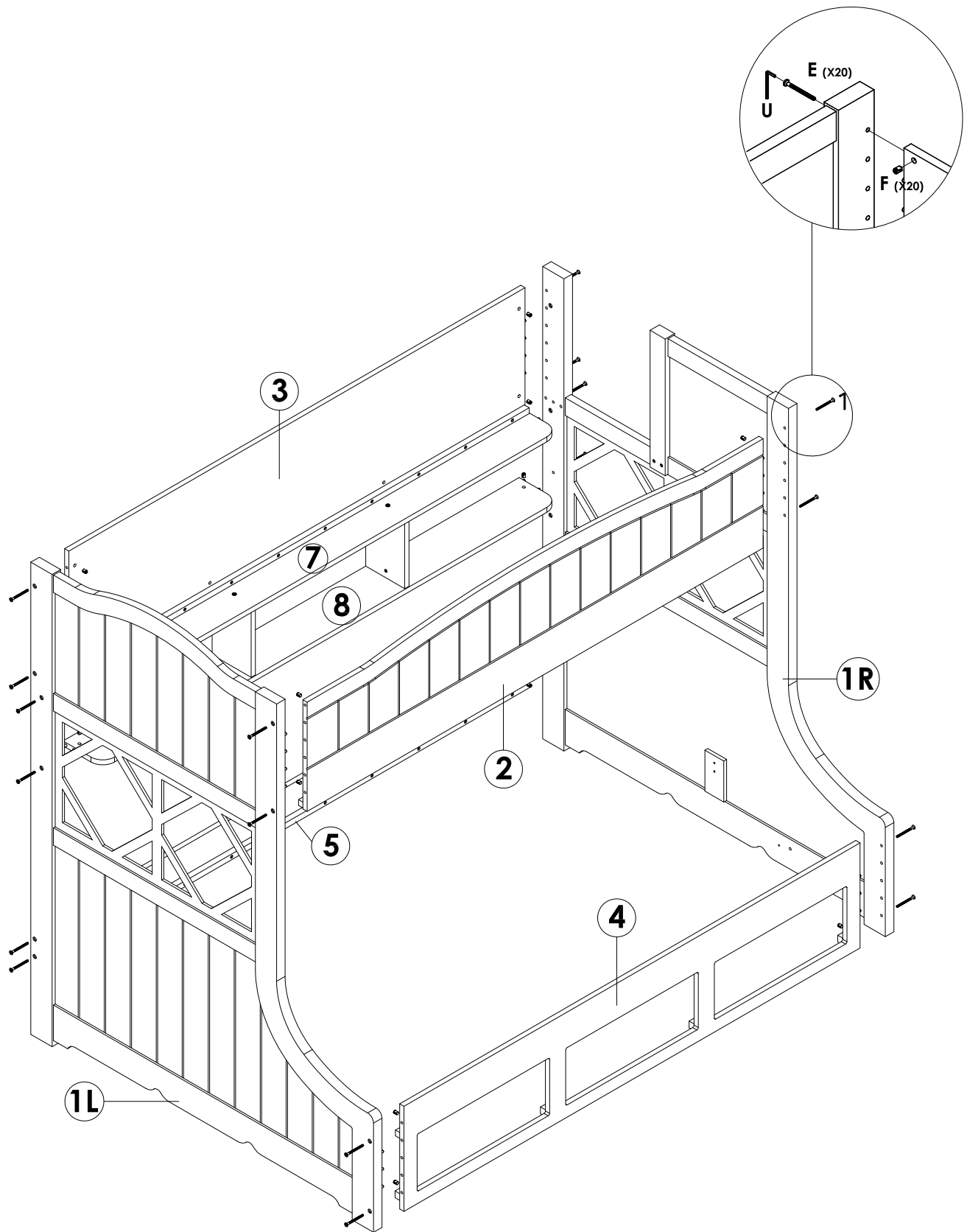
Insert **(B)** into Ø8MM holes on **Guard Rail (Front), Guard Rail (Rear), Side Rail (Front), Side Rail (Rear), Bottom Divider, Top Shelf & Bottom Shelf.**





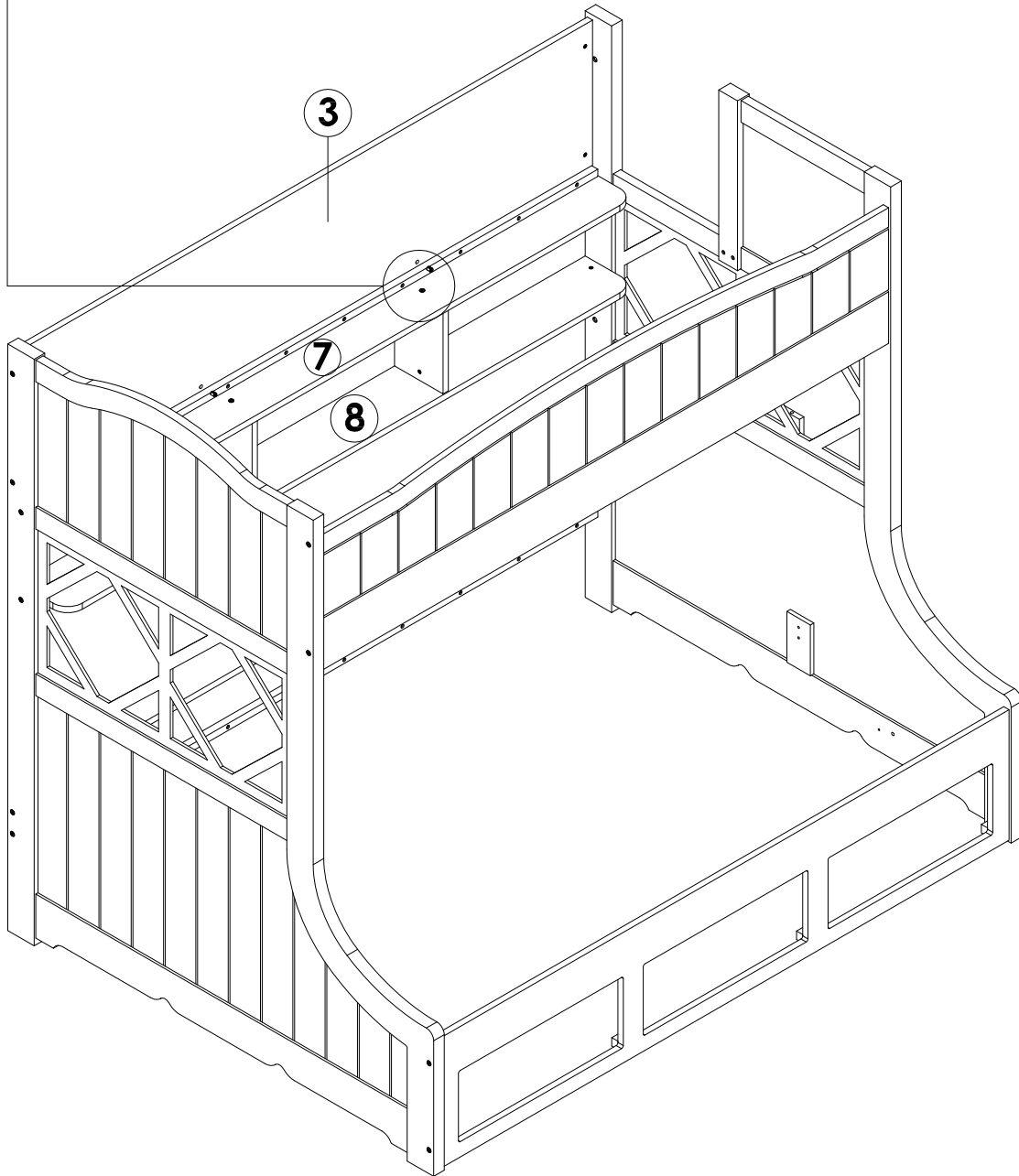
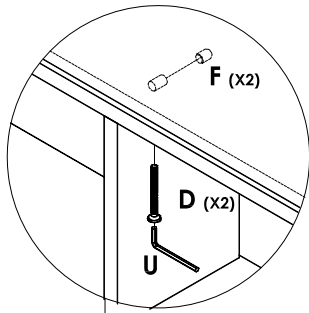
**STEP 2**

Attach and secure **Divider** onto **Top & Bottom Shelf** and insert **(D)** and **(F)** to tighten it up by using **(U)**.



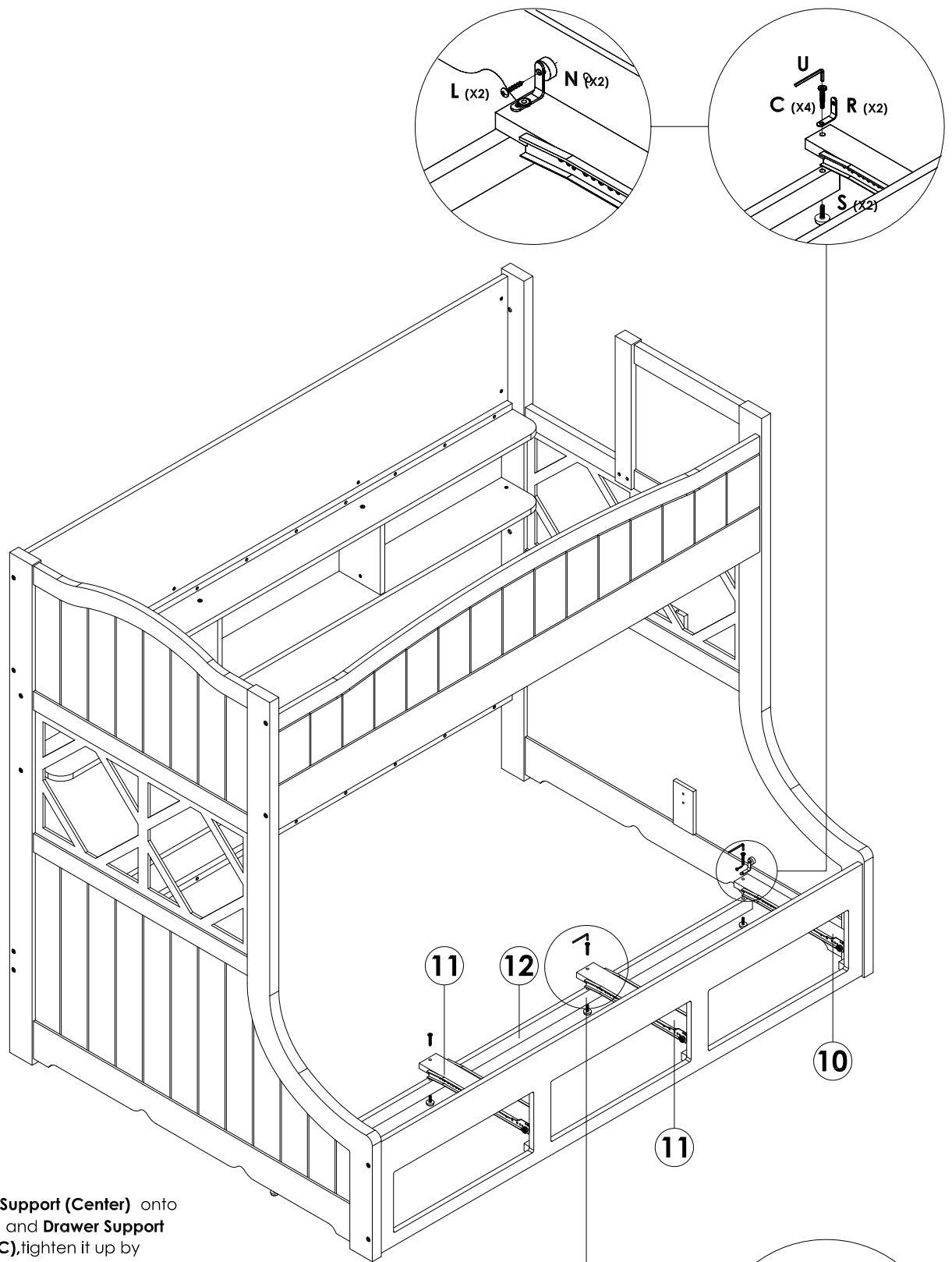
**STEP 3**

Attach **Guard Rail (Rear), Top Shelf, Bottom Shelf, Guard Rail (Front), Side Rail (Front) and Side Rail (Rear)** onto **Headboard (L/R)** and insert **(E)** and **(F)** tighten it up by using **(U)**.



#### **STEP 4**

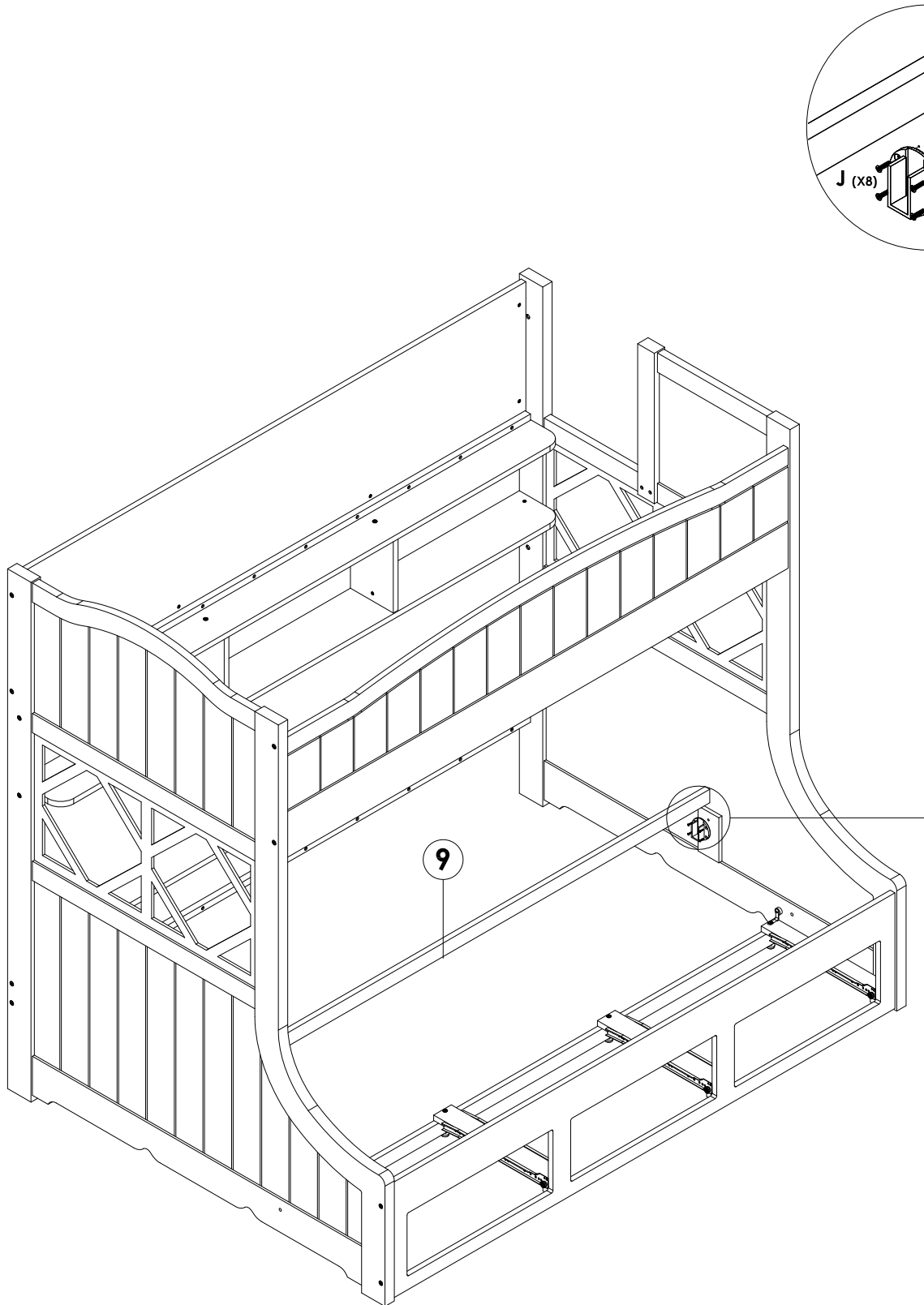
Attach **Top Shelf** and **Bottom Shelf** onto **Guardrail Rear** and insert **(D)** and **(F)** tighten it up by using **(U)**.



### STEP 5

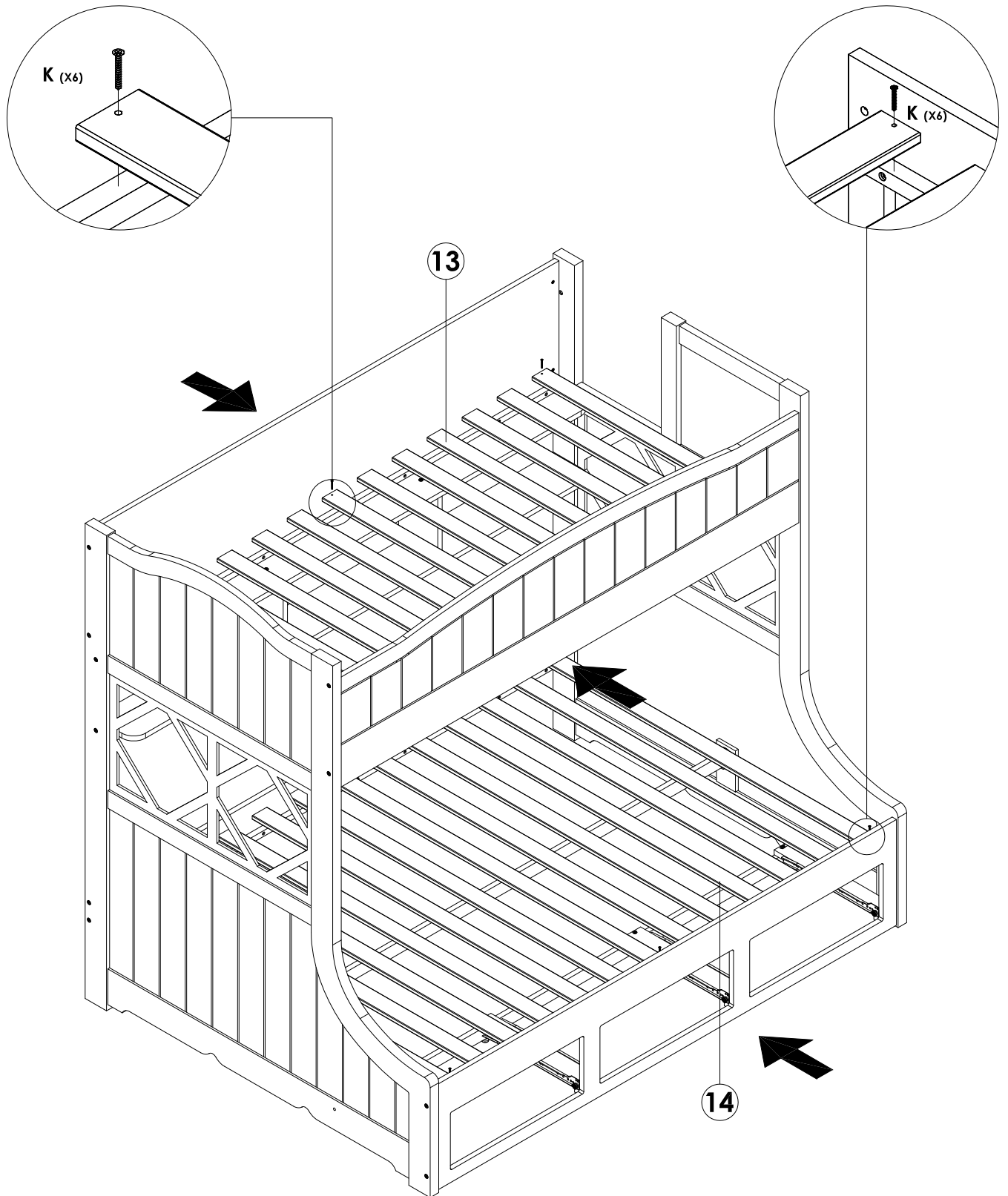
Attach **Drawer Support (Center)** onto **Side Rail (Front)** and **Drawer Support Long** by using **(C)**, tighten it up by using **(U)**. Following it up insert **(S)** underneath **Drawer Support Long**. To adjust when floor uneven.

Attach **Drawer Support (Side)** onto **Side Rail (Front)** and **Drawer Support Long** by using **(C)** and **(R)**, tighten it up by using **(U)** and **(R)**. Following it using **(L)** and **(N)** to secure **Drawer Support (Side)** to **Headboard**. Insert **(S)** underneath **Drawer Support Long**. To adjust when floor uneven.



**STEP 6**

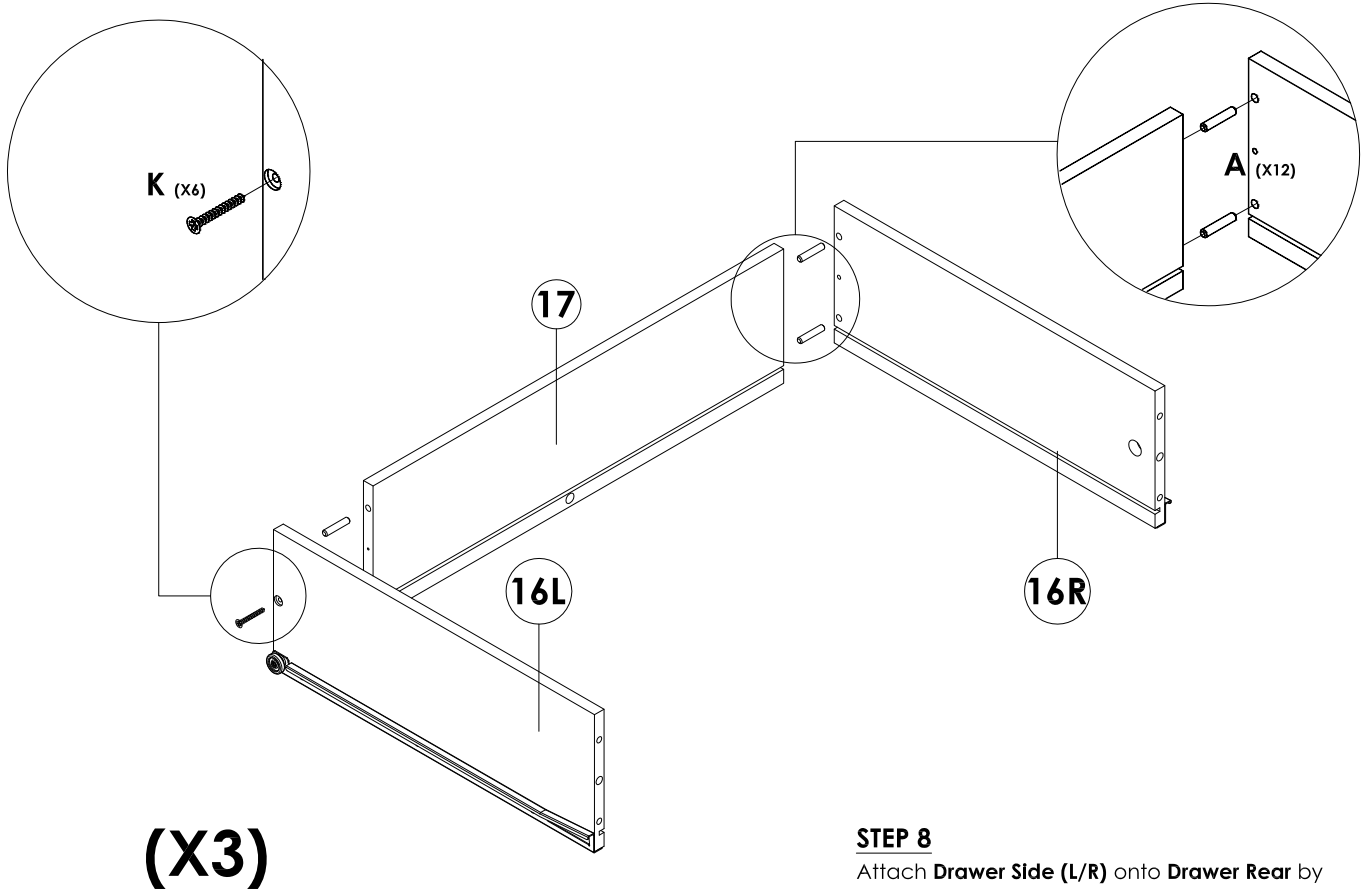
Attach **(Q)** onto **Headboard (L/R)** by using **(J)**, tighten it up by using a Crosshead Screw Driver. Go on to slot **Center Support** into **(Q)**.



### STEP 7

Attach and secure **Wooden Slat (Top&Bottom)** onto top bed and bottom bed slat supports by using **(K)**, tighten it up by using a Crosshead Screw Driver.

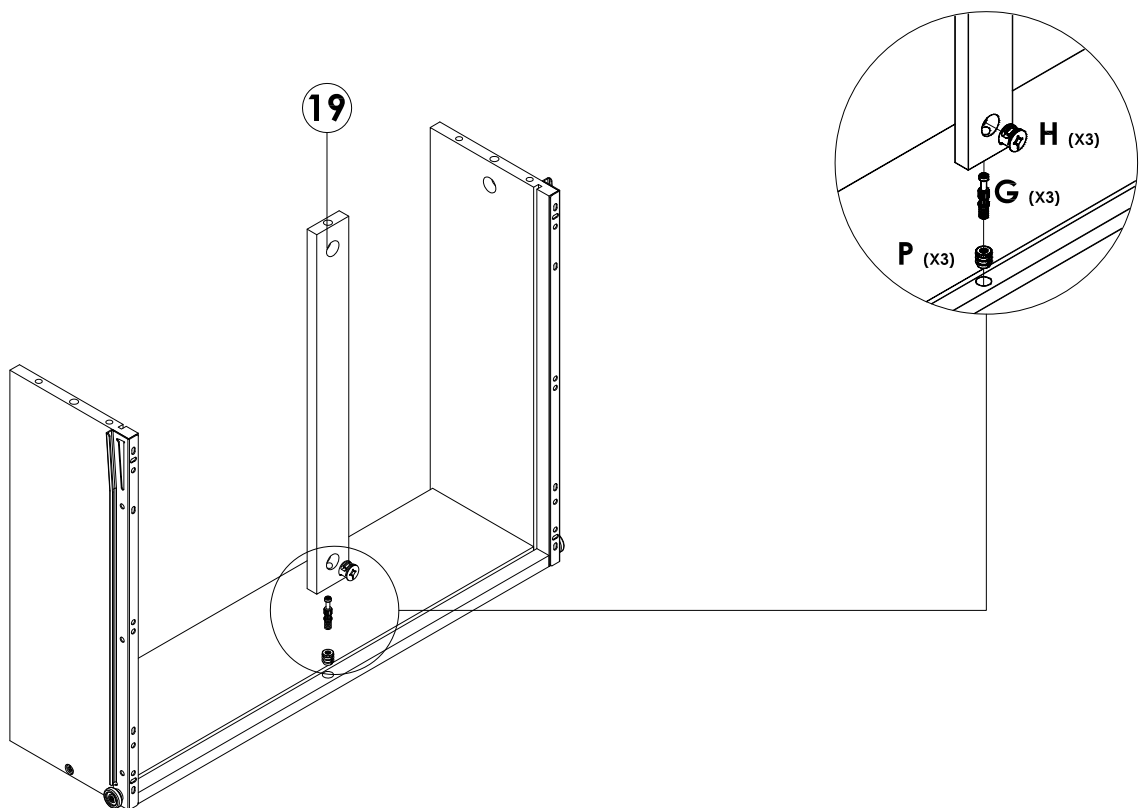
\* Align both **Guardrail (Front/Rear)** and **Side Rail (Front/Rear)** before tightening the screws.



**(X3)**

**STEP 8**

Attach **Drawer Side (L/R)** onto **Drawer Rear** by using **(A)** and **(K)**, tighten it up by using crosshead screw driver.

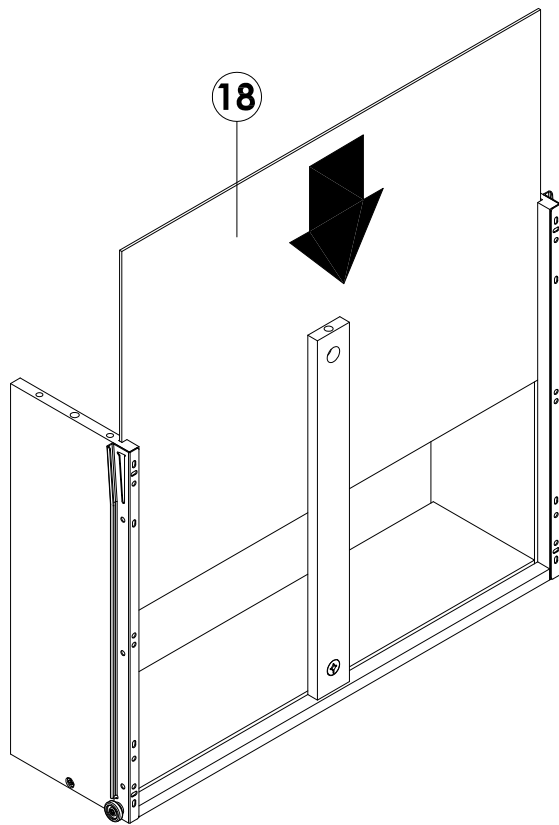


**(X3)**

**STEP 9**

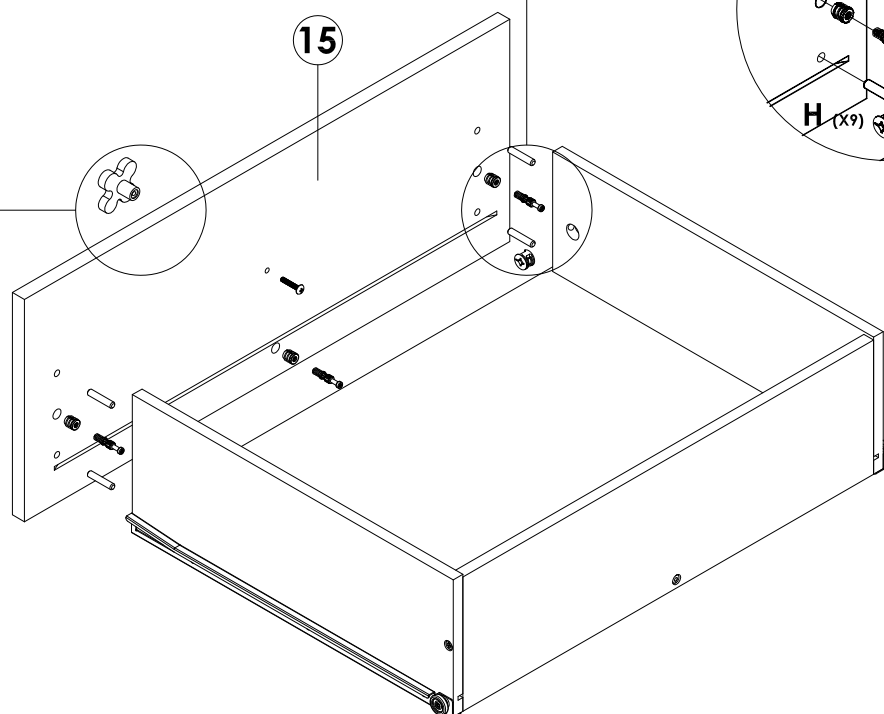
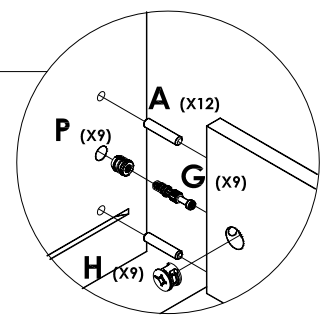
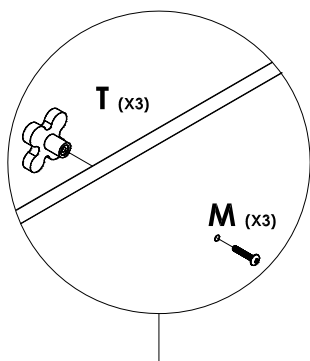
Attach **Drawer Base Support** onto **Drawer Rear** by using **(P),(G)** and **(H)**, tighten it up by using crosshead screw driver.

(X3)



**STEP 10**

Slot **Drawer Base** into **Drawer Side (L/R)**.



**STEP 11**

Attach **Drawer Face** onto both **Drawer Side (L/R)** by using **(A)**, **(P)**, **(G)** and **(H)**.

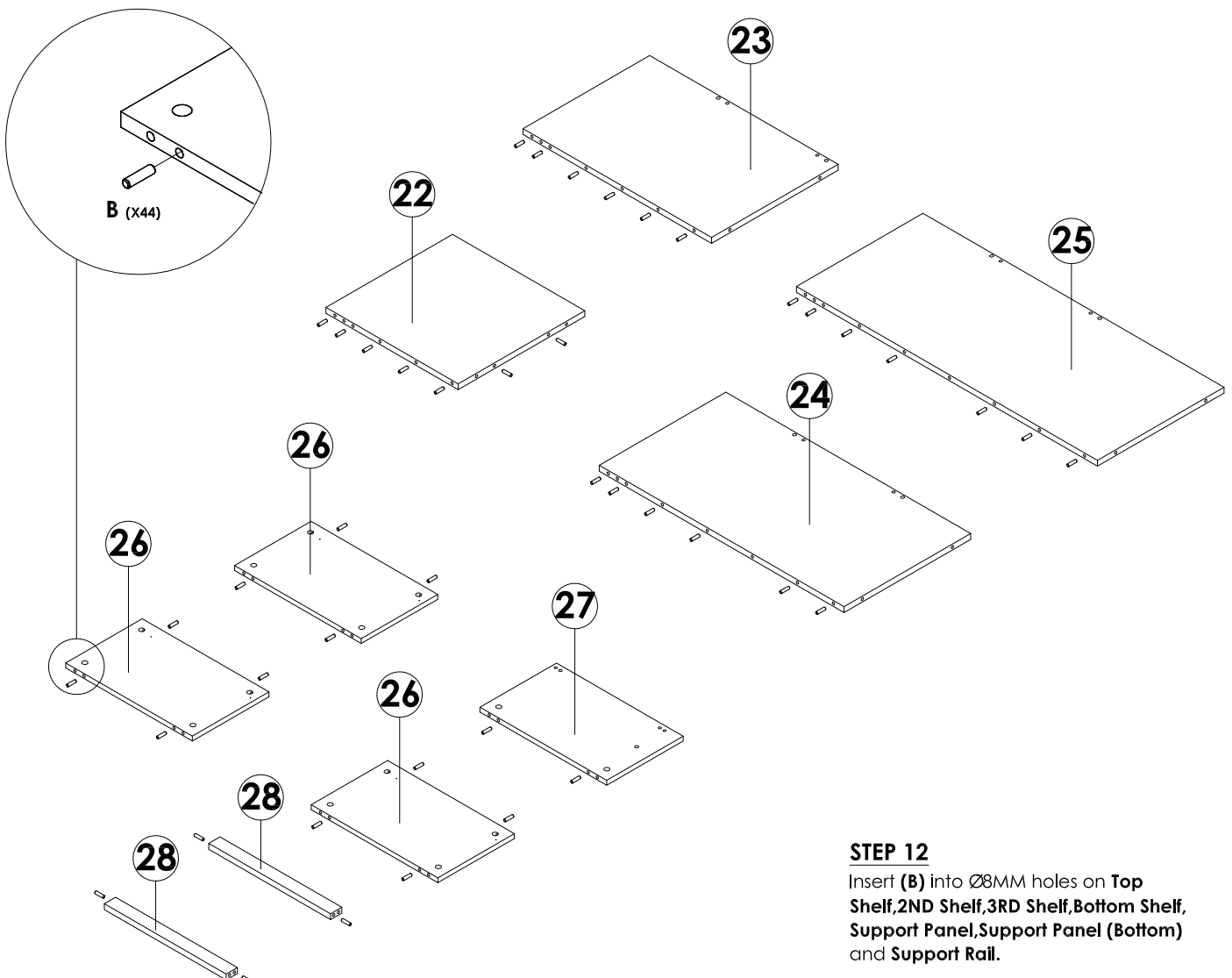
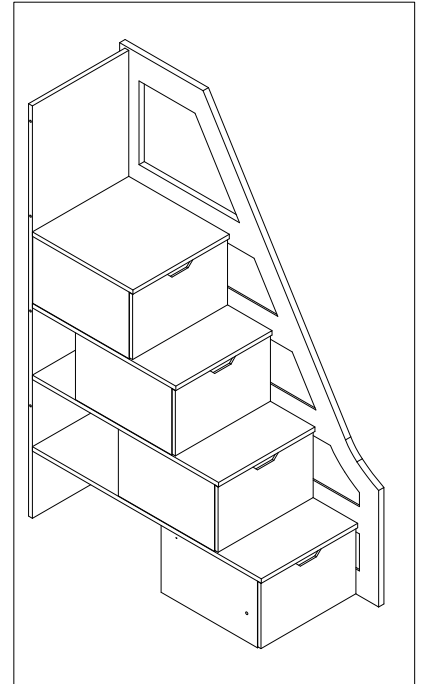
Follow that up by attaching and securing **(T)** onto **Drawer Face** by screwing **(M)** in from behind, tighten it up by using crosshead screw driver.

(X3)



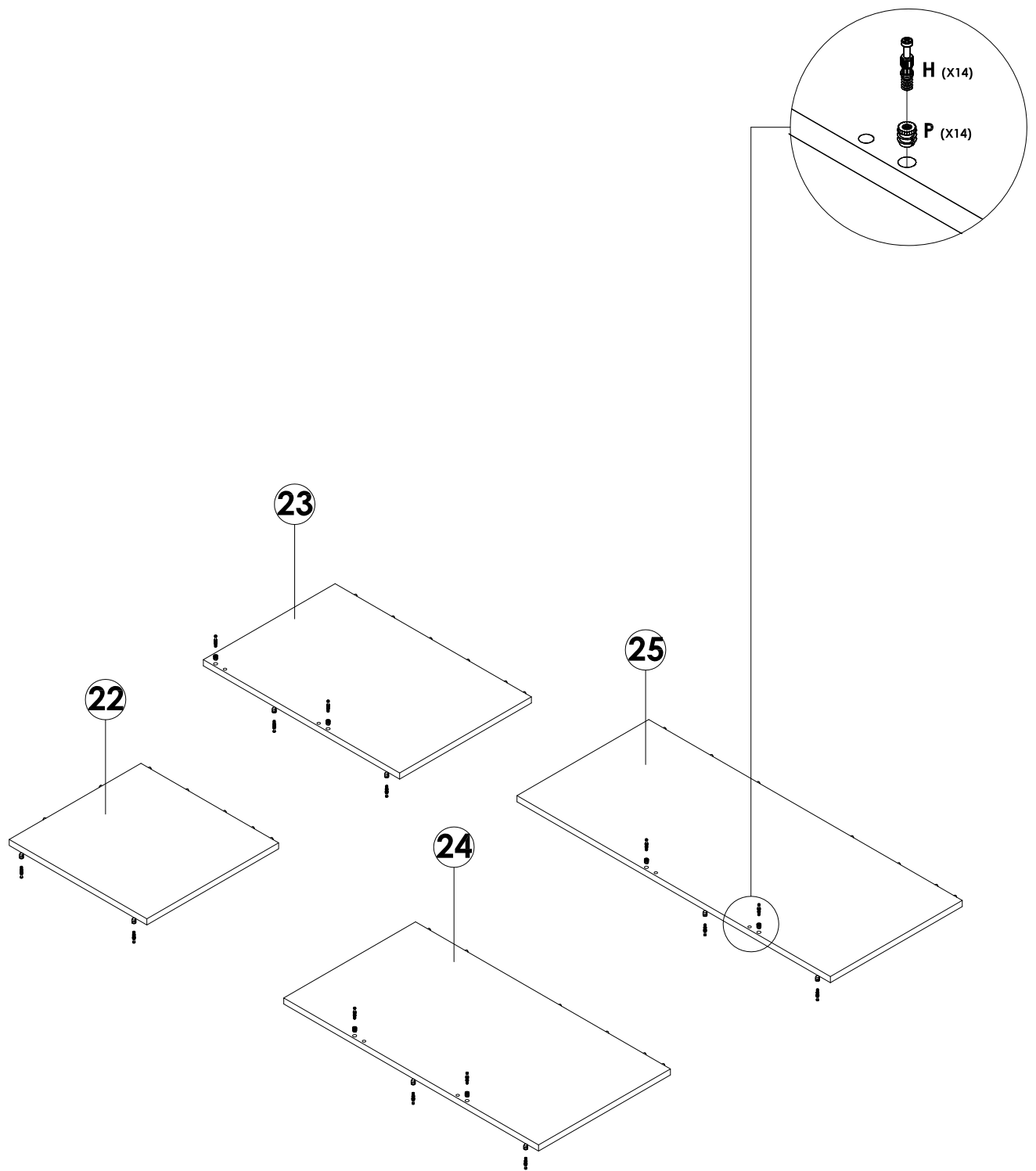
## HARDWARE LIST RACK LADDER (2)

<b>A</b>	<b>32 PCS</b>	<b>B</b>	<b>44 PCS</b>	<b>C</b>	<b>1 PC</b>
					
PLASTIC DOWEL (M6 x 30MM)		PLASTIC DOWEL (M8 x 30MM)		JCBC BOLT (M6 x 45MM)	
<b>D</b>	<b>23 PCS</b>	<b>E</b>	<b>4 PCS</b>	<b>F</b>	<b>27 PCS</b>
					
JCBC BOLT (M6 x 60MM)		JCBC BOLT (M6 x 70MM)		JRN NUT (M6 x 13MM)	
<b>G</b>	<b>1 PC</b>	<b>H</b>	<b>30 PCS</b>	<b>J</b>	<b>16 PCS</b>
					
JCN NUT (M6 x 12MM)		CONNECTING BOLT (24MM)		MINIFIX (9MM)	
<b>K</b>	<b>14 PCS</b>	<b>L</b>	<b>16 PCS</b>	<b>M</b>	<b>8 PCS</b>
					
MINIFIX (12MM)		CSK C/B SCREW (M3.5 x 16MM)		CSK C/B SCREW (M4 x 32MM)	
<b>N</b>	<b>1 PC</b>	<b>P</b>	<b>30 PCS</b>	<b>Q</b>	<b>8 PCS</b>
					
NYLON WASHER (M6 x 20 x 8MM)		EURO NYLON		DRAWER SLIDE 400MM (16")-L&R BOTTOM	
<b>R</b>	<b>2 PCS</b>				
					
ALLEN KEY (M4 x 60MM)					



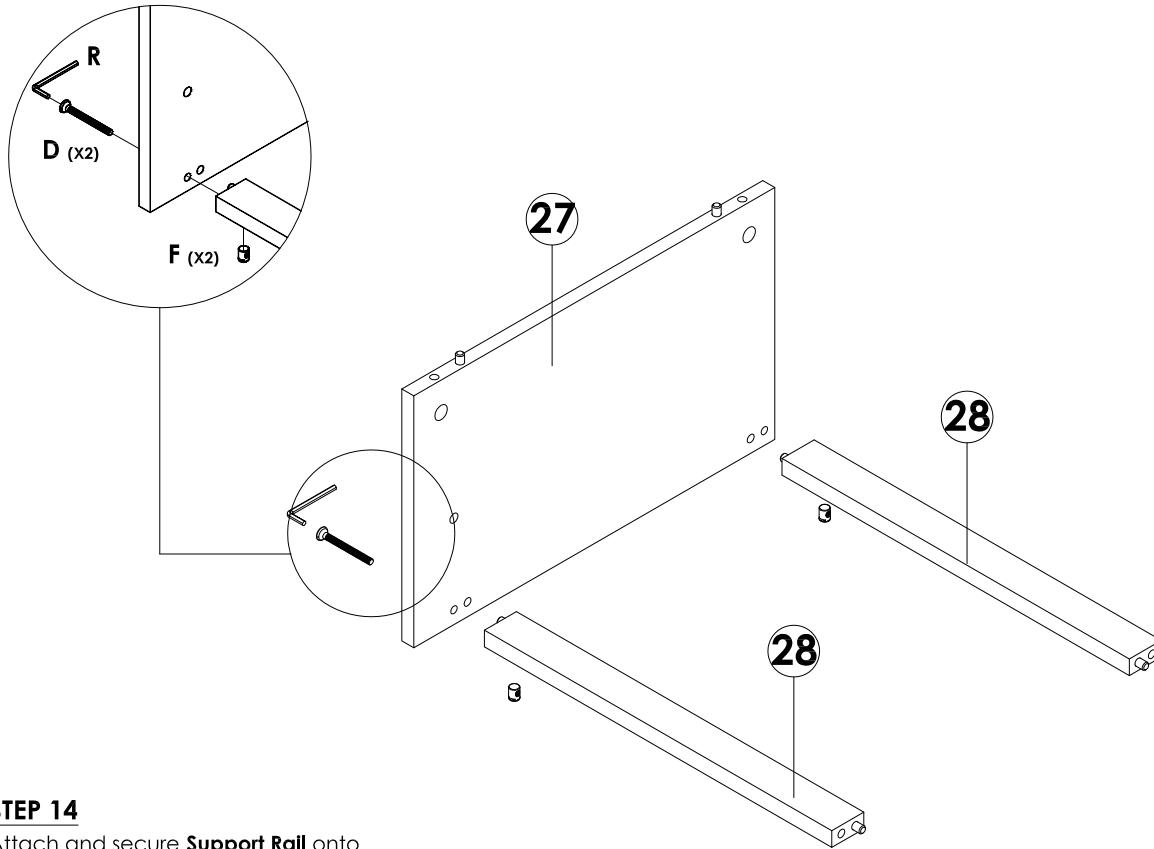
### STEP 12

Insert **(B)** into Ø8MM holes on **Top Shelf, 2ND Shelf, 3RD Shelf, Bottom Shelf, Support Panel, Support Panel (Bottom) and Support Rail.**



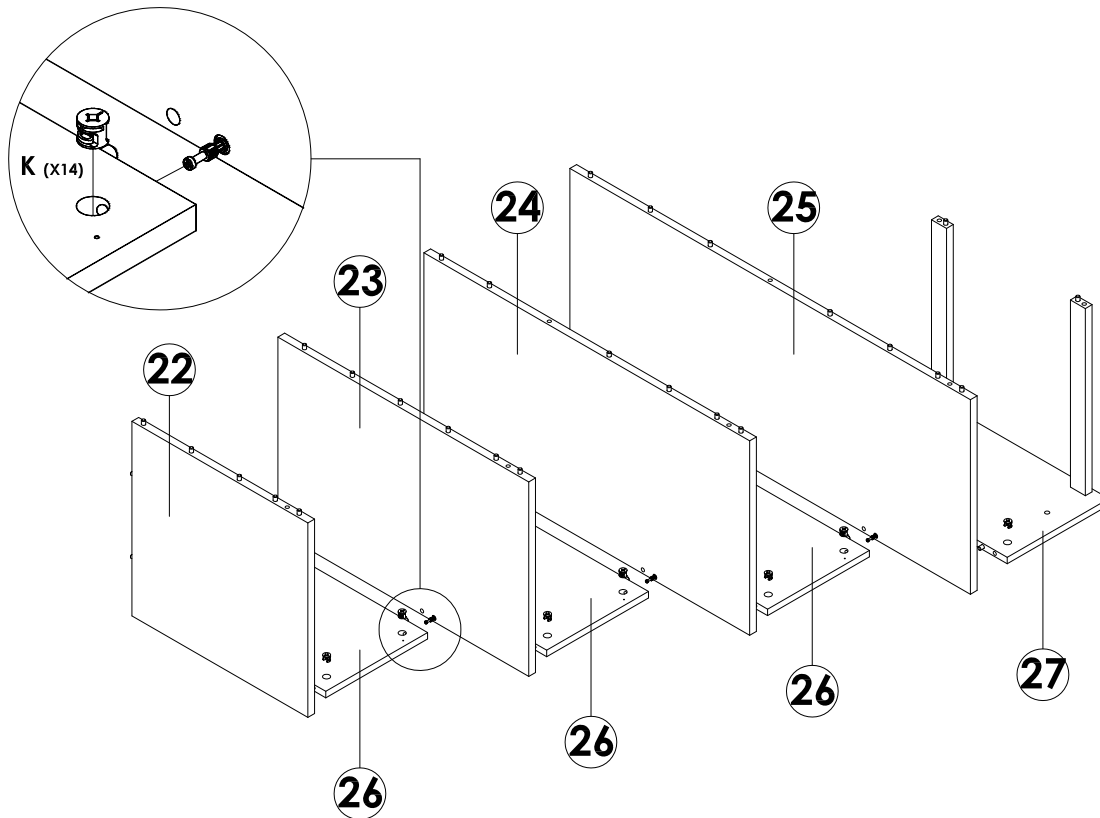
**STEP 13**

Insert **(P)** and **(H)** into Ø10MM holes on **Top Shelf, 2ND Shelf, 3RD Shelf and Bottom Shelf** by using Crosshead Screw Driver.



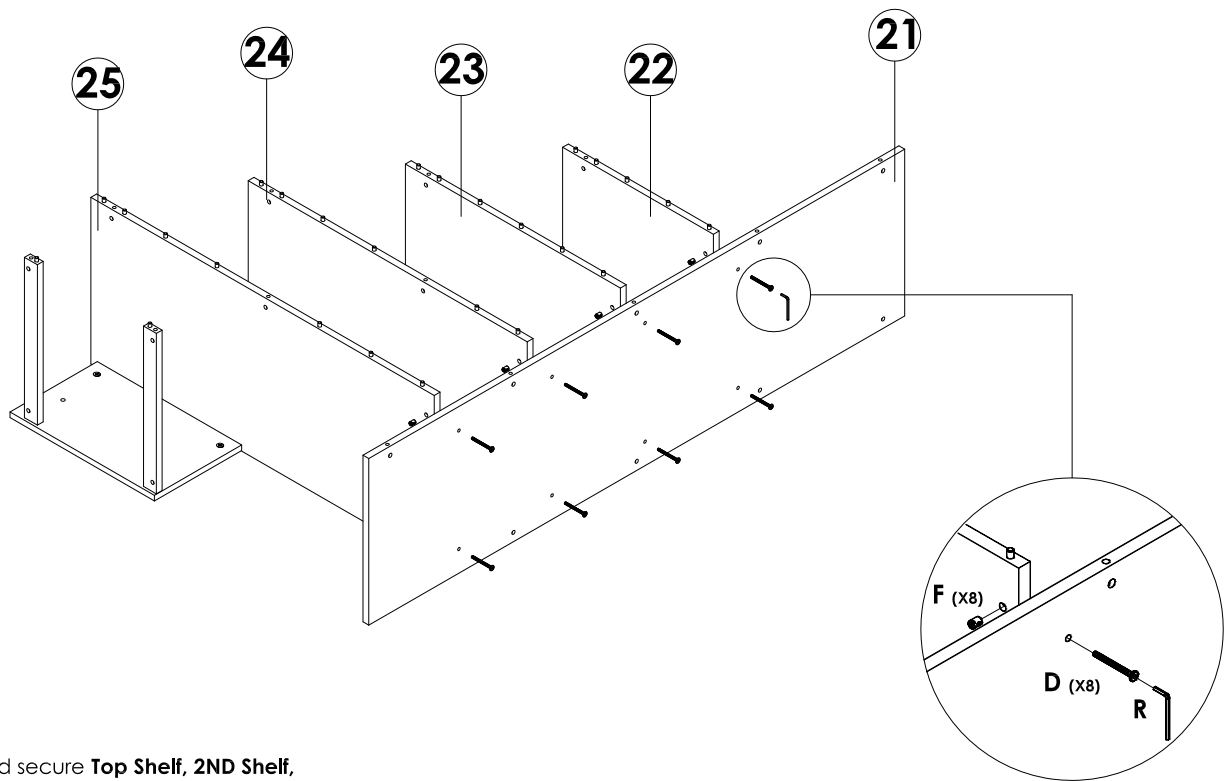
#### STEP 14

Attach and secure **Support Rail** onto **Support Panel (Bottom)** and insert **(D)** and **(F)** to tighten it up by using **(R)**.



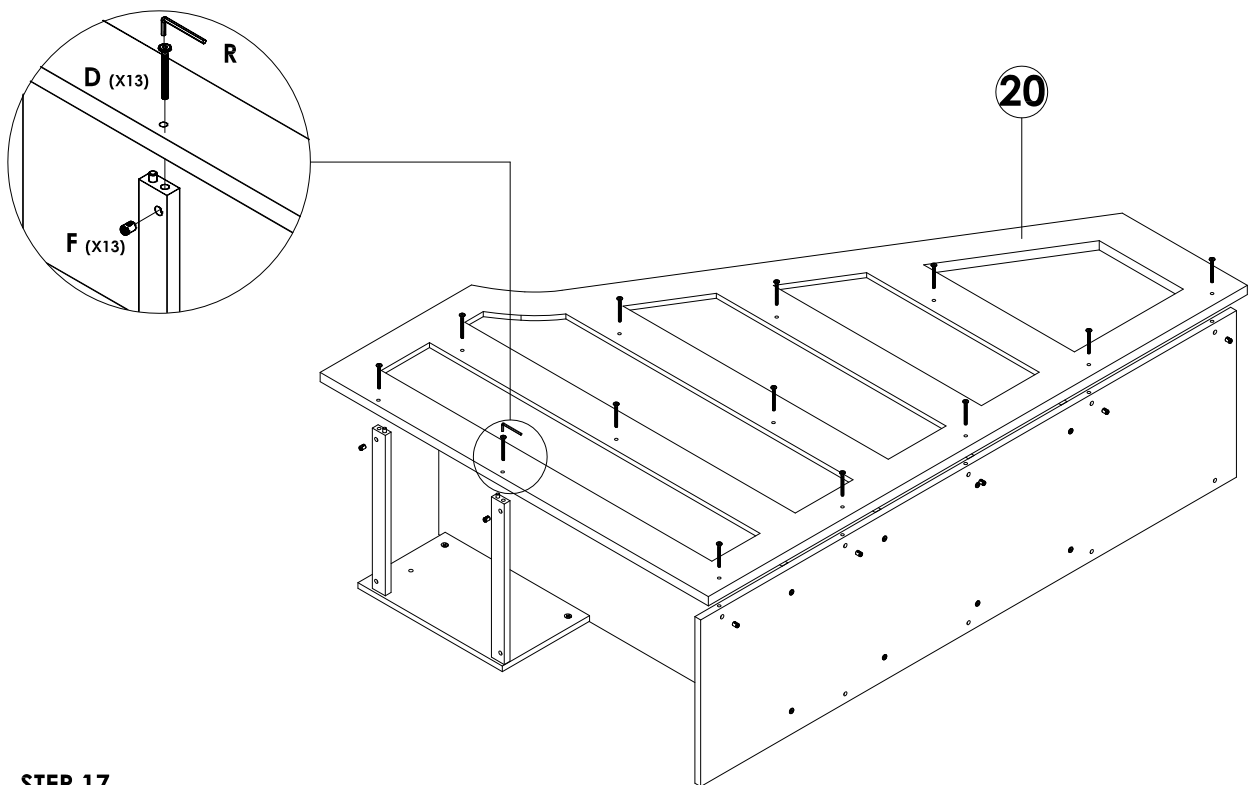
#### STEP 15

Attach and secure **Support Panel and Support Panel (Bottom)** onto **Top Shelf, 2ND Shelf, 3RD SHELF and Bottom Shelf** by using **(K)**, tighten it up by using **Crosshead Screw Driver**.



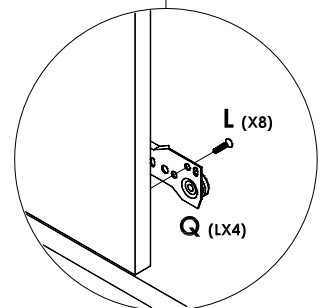
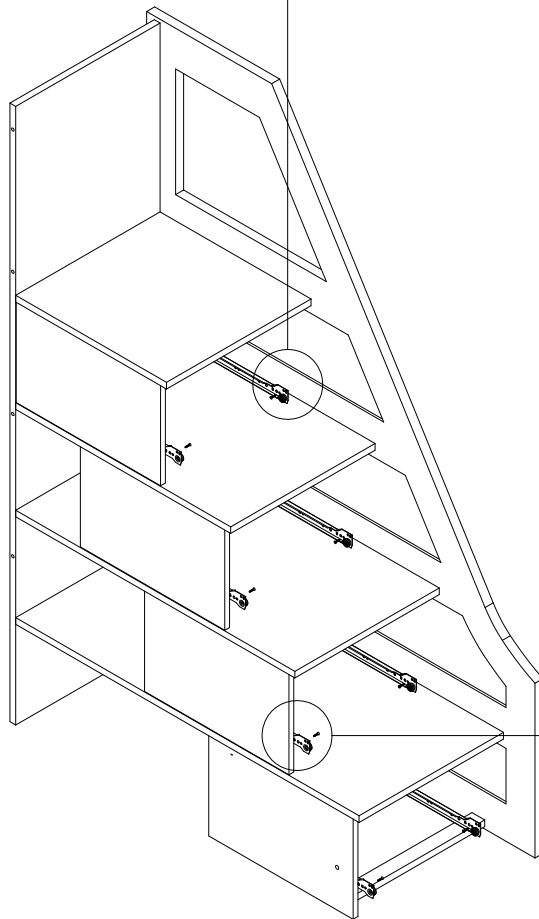
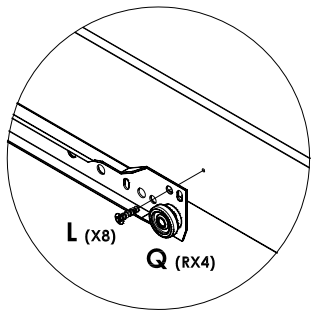
**STEP 16**

Attach and secure **Top Shelf, 2ND Shelf, 3RD Shelf** and **Bottom Shelf** onto **Rear Panel** and insert **(D)** and **(F)** to tighten it up by using **(R)**.



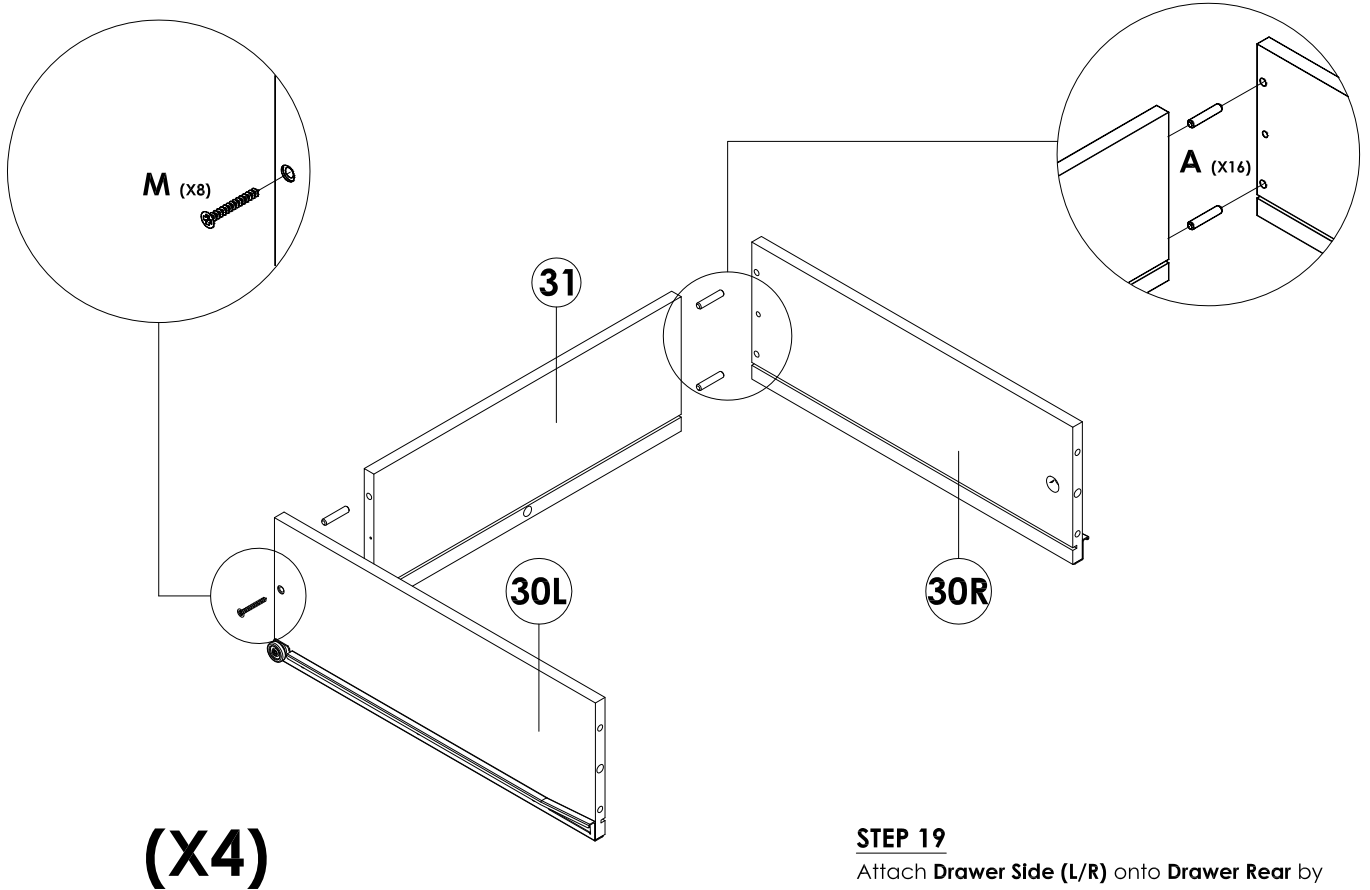
**STEP 17**

Attach and secure **Side Panel** onto **Top Shelf, 2ND Shelf, 3RD Shelf, Bottom Shelf** and **Rear Panel** and insert **(D)** and **(F)** to tighten it up by using **(R)**.



### STEP 18

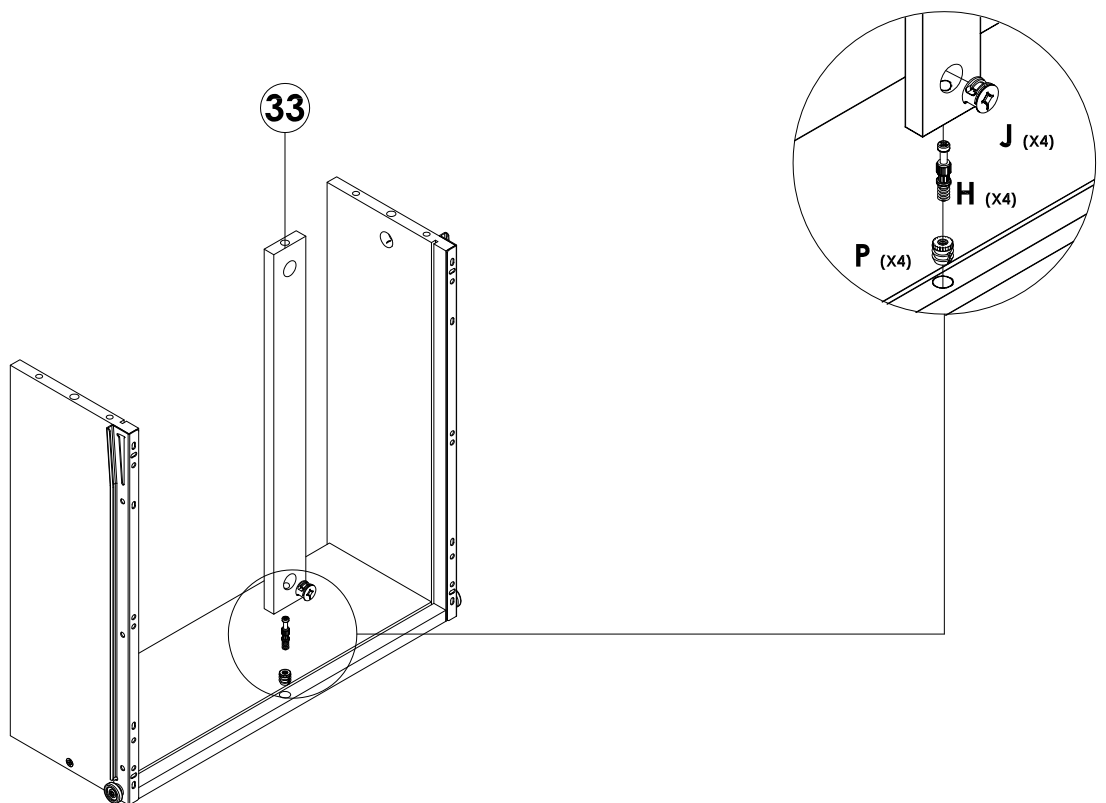
Attach and secure **(Q)** onto **Side Panel, Support Panel** and **Bottom Panel** based on specified marking holes given as shown above by using **(L)**, tighten it up by using Crosshead Screw Driver.



**(X4)**

**STEP 19**

Attach **Drawer Side (L/R)** onto **Drawer Rear** by using **(A)** and **(M)**, tighten it up by using crosshead screw driver.

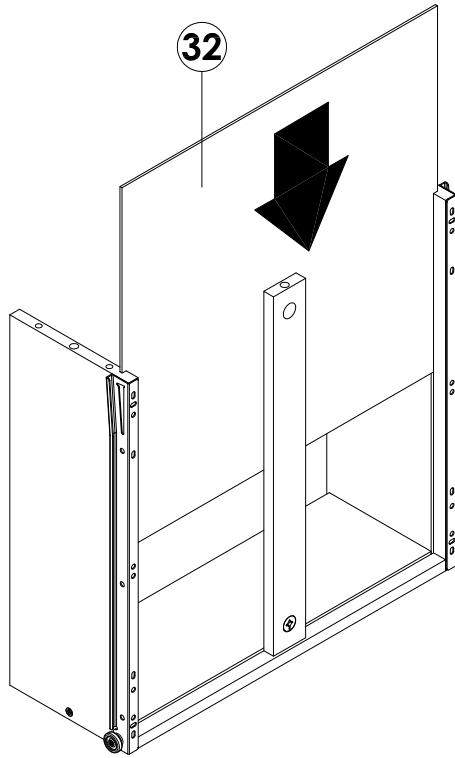


**(X4)**

**STEP 20**

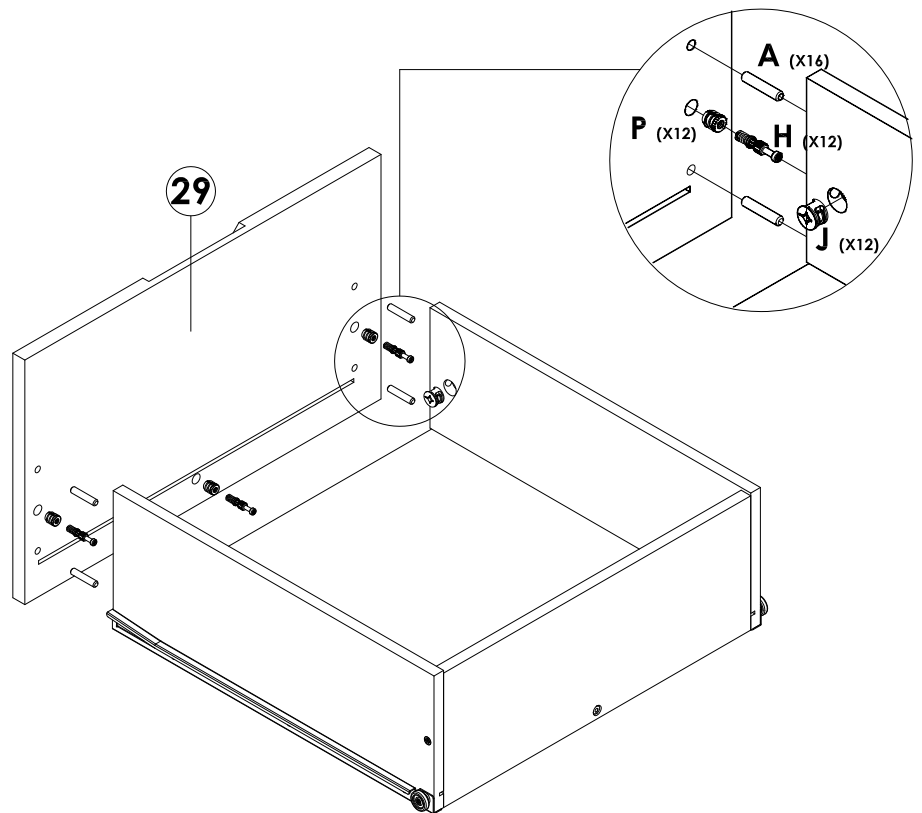
Attach **Drawer Base Support** onto **Drawer Rear** by using **(P),(H)** and **(J)**, tighten it up by using crosshead screw driver.

**(X4)**



**STEP 21**

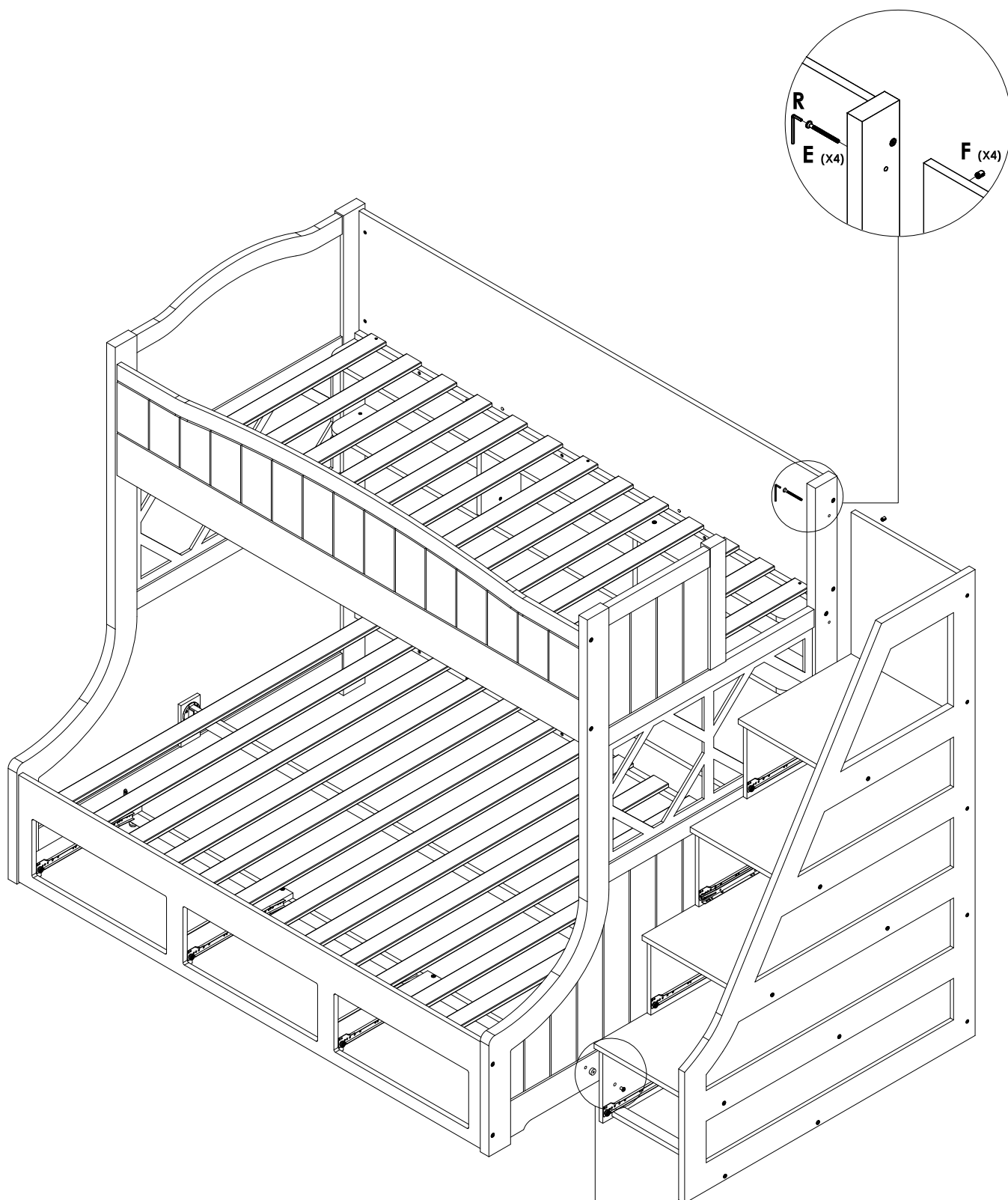
Slot **Drawer Base** into **Drawer Side (L/R)**.



**STEP 22**

Attach **Drawer Face** onto both **Drawer Side (L/R)** by using **(A)**, **(P)**, **(H)** and **(J)**, tighten it up by using crosshead screw driver.

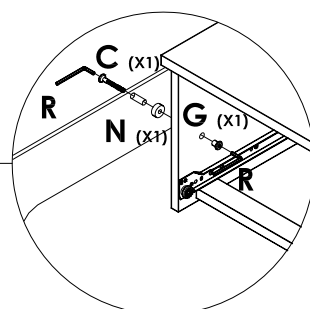
**(X4)**



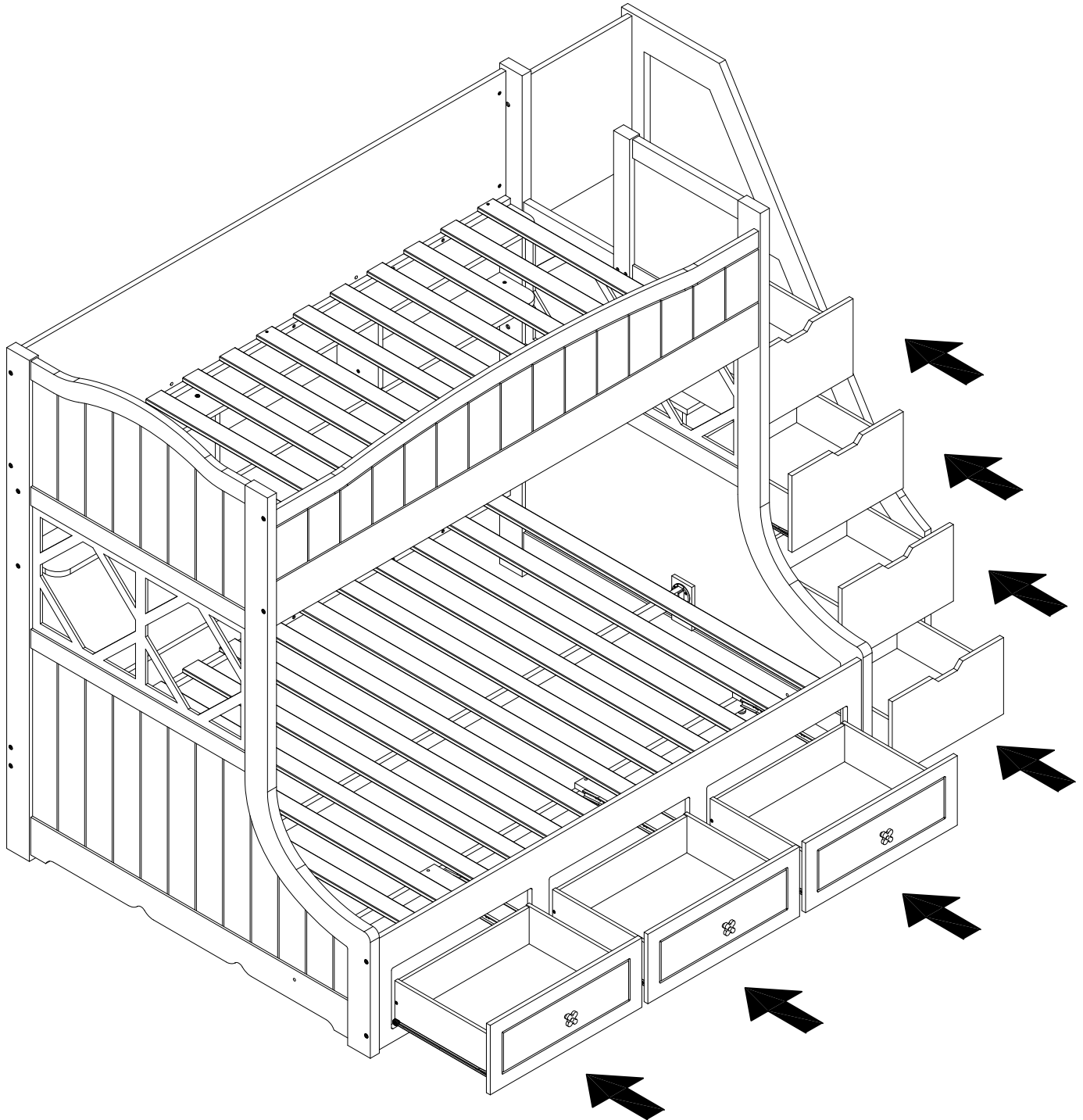
**STEP 23**

Attach **Rear Panel** onto **Headboard (R)** and insert **(E)**, and **(F)**, tighten it up by using **(R)**.

Attach **Support Panel Bottom** onto **Headboard (R)** and insert **(C)**, **(N)** and **(G)**, tighten it up by using **(R)**.



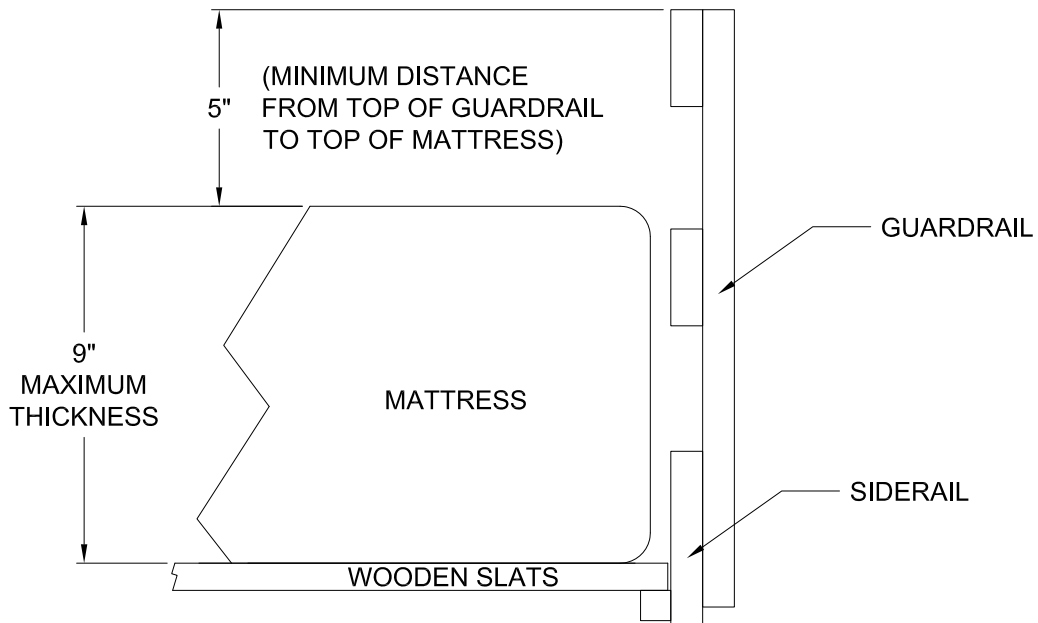




**STEP 24**

Insert **Drawers** into **Bed Frame & Rack Frame**

# BEDDING SPECIFICATION



## MATTRESS SIZE

Upper Bunk Mattress Specification :

- Only use a mattress that is 75" - 76" long and 37 1/2" - 38 1/2" wide on upper bunk.
- Ensure thickness of mattress does not exceed 9".

Lower Bunk Mattress Specification :

- Only use a mattress that is 76" long and 54" wide on lower bunk.
- Ensure thickness of mattress is 11" only.

Replacement parts :

Replacement parts, including additional guard rails, can be obtained from any ACME distributor or retailer.