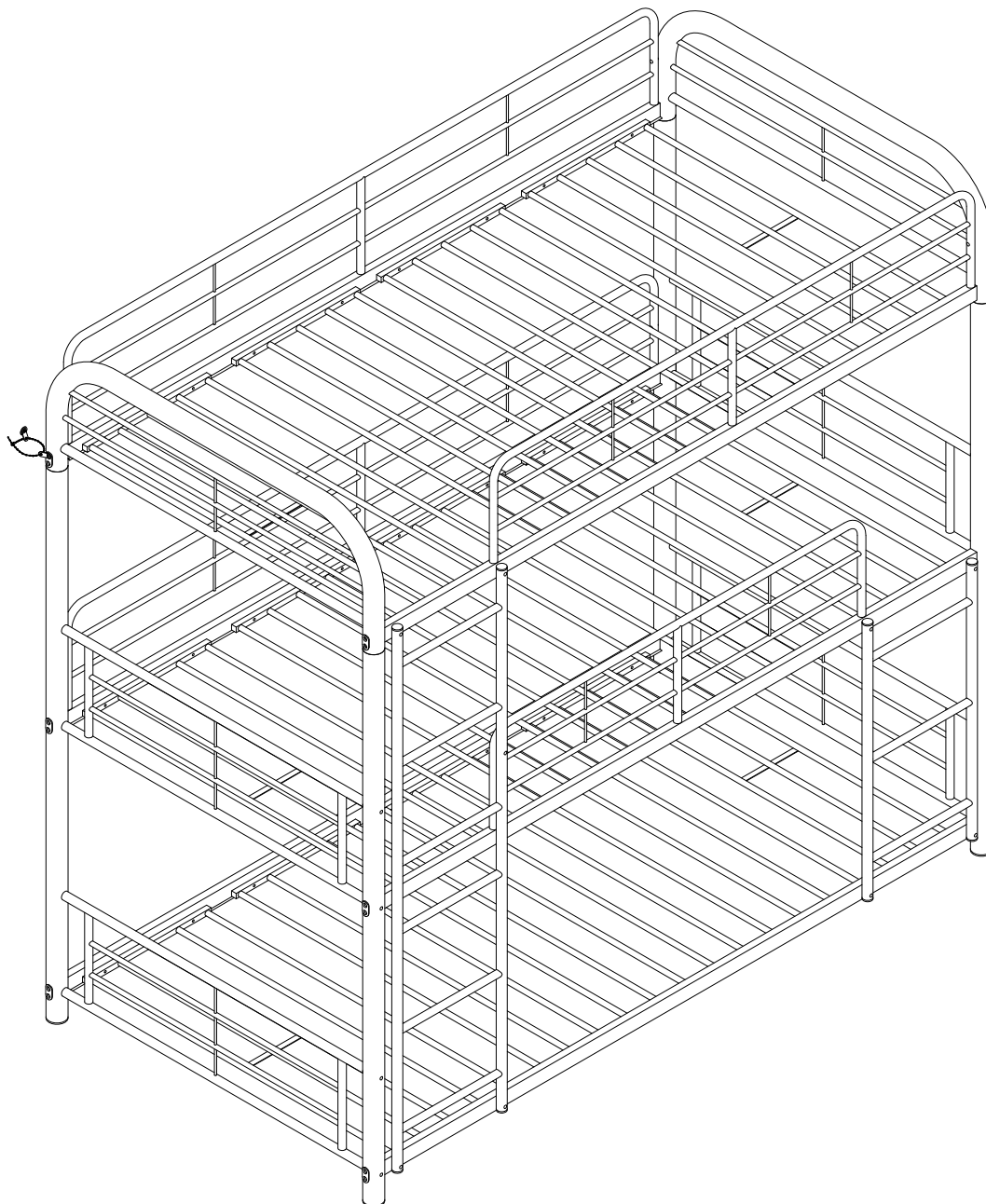


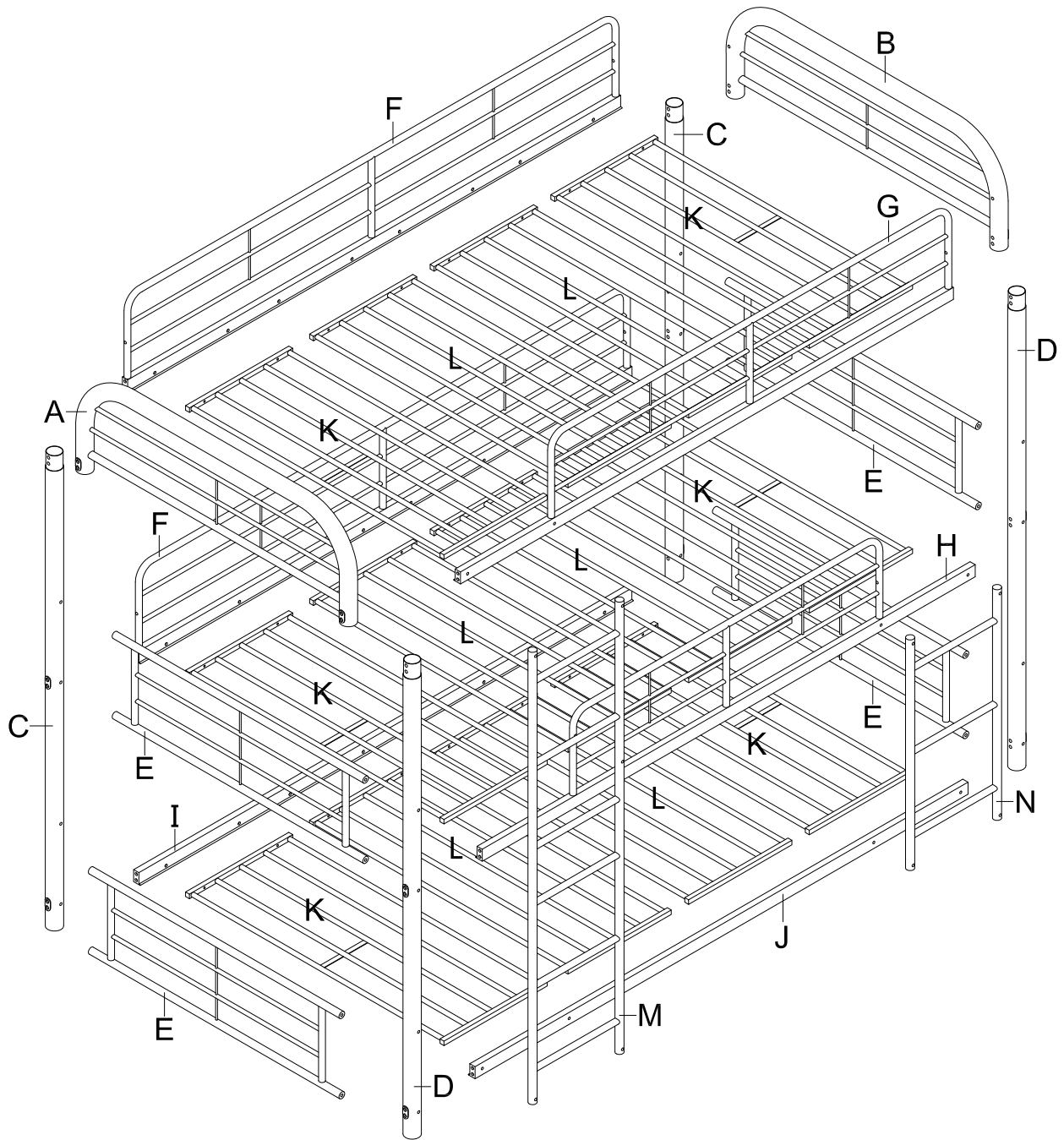
ASSEMBLY INSTRUCTIONS

ITEM NO.: 38100



Do not tighten screws until completely assembled.

PARTS IDENTIFICATION

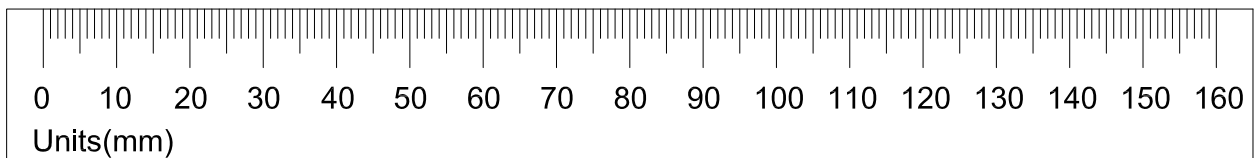


PARTS IDENTIFICATION

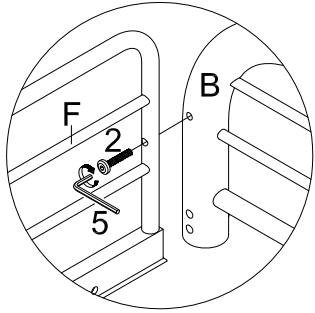
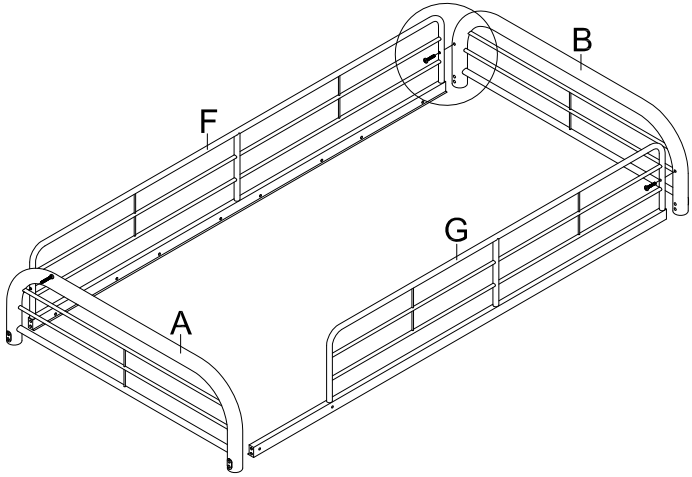
A		LEFT 1pc			1pc
B		RIGHT 1pc			1pc
C		2pcs			1pc
D		2pcs			6pcs
E		4pcs			6pcs
F		2pcs			1pc
G		1pc			1pc


HARDWARE LIST

1 M6x25 48pcs	2 M6x35 14pcs	3 M6x75 16pcs
4 M6x75 24pcs	5 4x4 1pc	6 M4x37 2pcs
7 4pcs	8 2pcs	9 2pcs

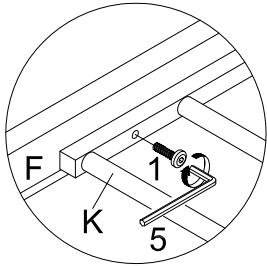
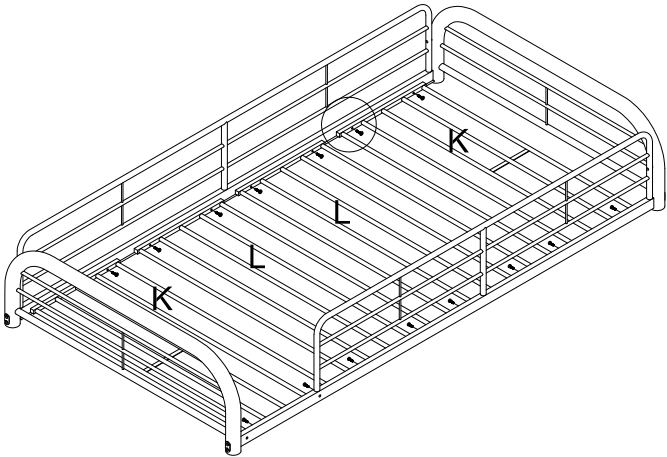



STEP 1.



2		3pcs
M6x35		

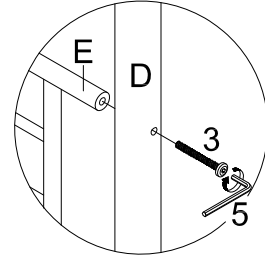
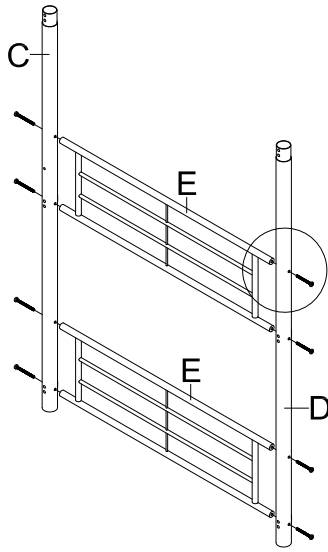
STEP 2.



1		16pcs
M6x25		

STEP 3.

x2



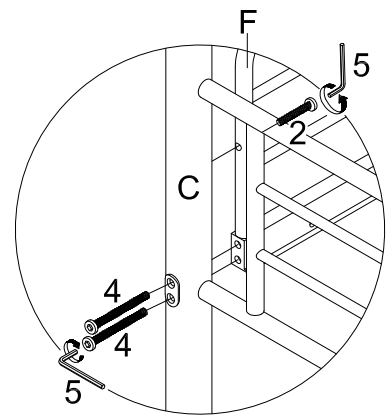
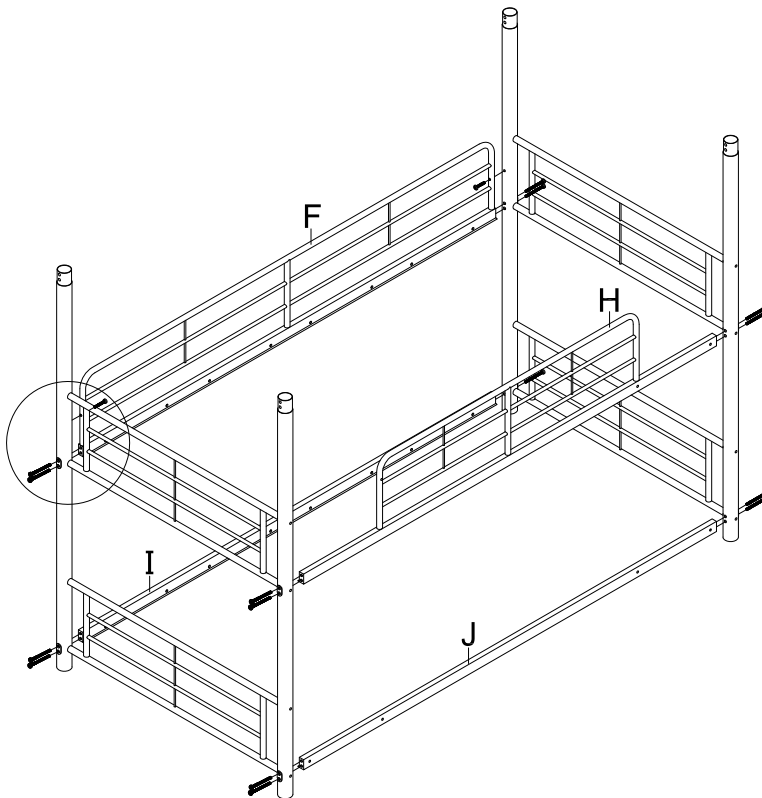
3

M6x75



16pcs

STEP 4.



2

M6x35



2pcs

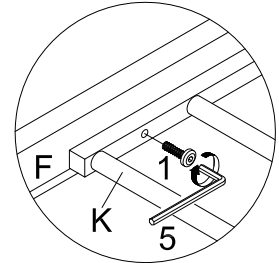
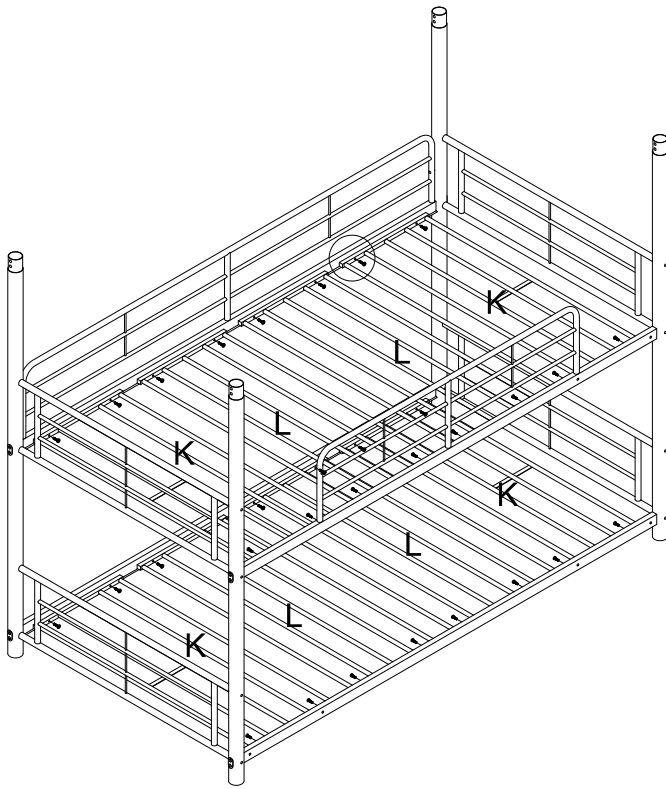
4


M6x75



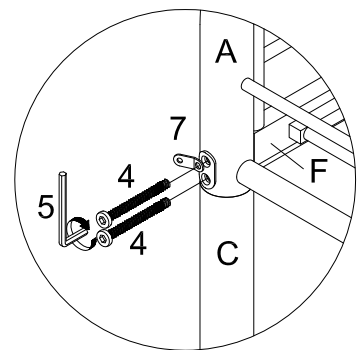
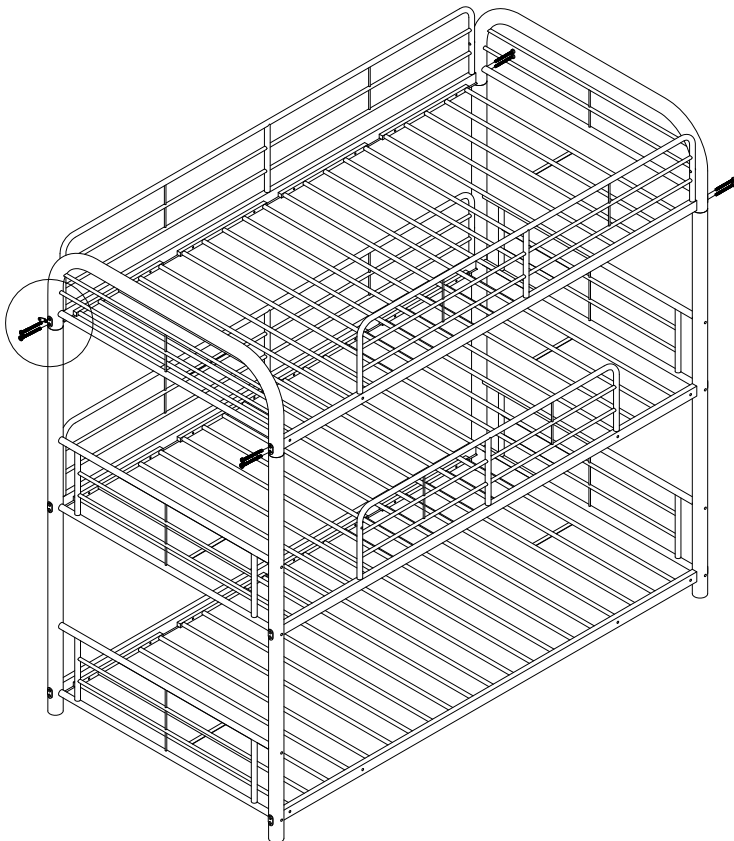
16pcs



STEP 5.



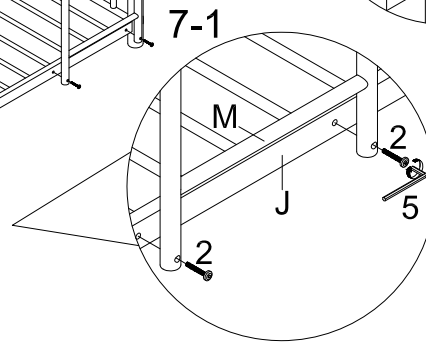
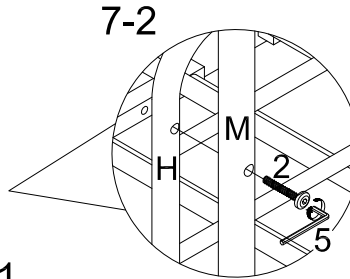
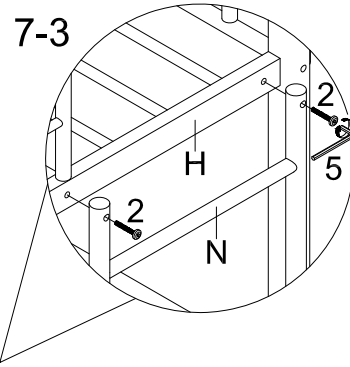
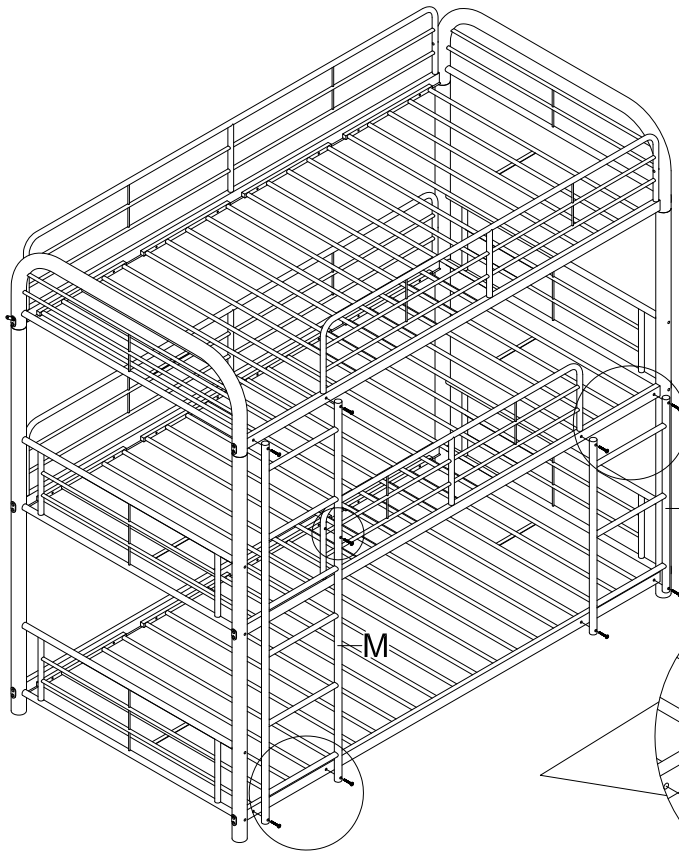
1		
M6x25		32pcs

STEP 6.



4		
M6x75		8pcs
7		
		2pcs

STEP 7.



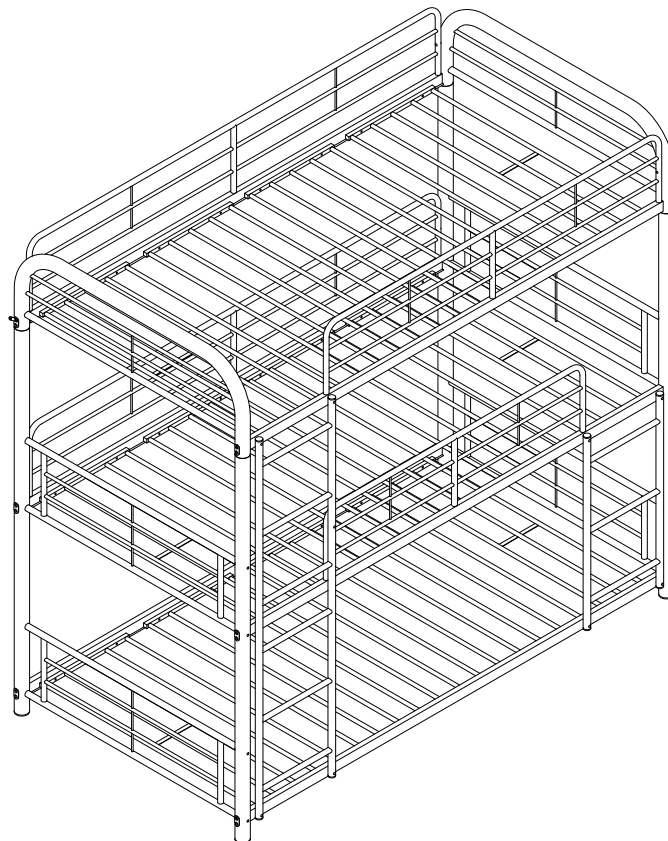
2

M6x35

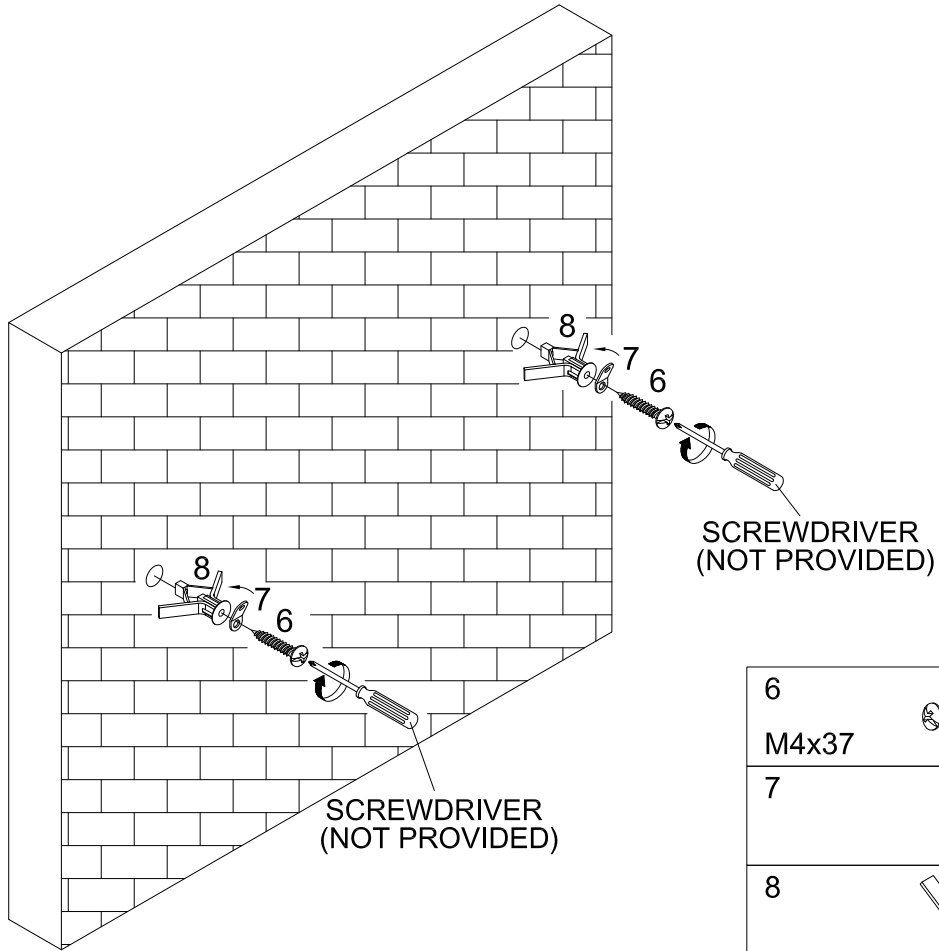




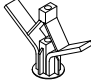
9pcs

STEP 8.

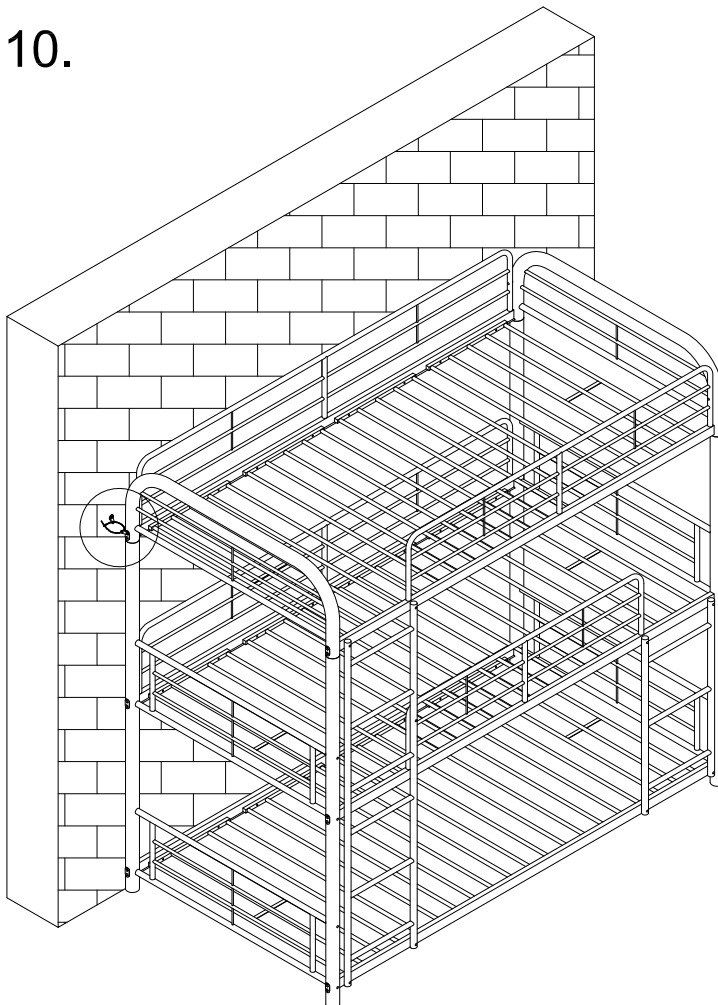


STEP 9.

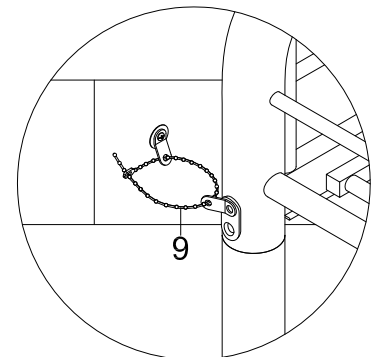


6		2pcs
M4x37		
7		2pcs
8		2pcs

STEP 10.



To Prevent Tip over
Product Must Be
Attached To Wall



9		2pcs
---	---	------

Safety Warnings

1. Follow the information on the warnings appearing on the upper bunk end structure and on the carton . Do not remove warning label from bed.
2. Always use the recommended size mattress or/and mattress support to help prevent the likelihood of entrapment or falls.
3. Surface of mattress must be at least 5 in. below the upper edge of guardrails .
4. Do not allow children less than 6 years of age to use the upper bunk.
5. Periodically check and ensure that the guardrail, ladder ,and other components are in their proper position ,free from damage ,and that all connectors are tight .
6. Prohibit horseplay on/or under the bed and prohibit jumping on the bed.
7. Always use the ladder for entering and leaving the upper bunk.
8. Do not use substitute parts ,Contact manufacturer or dealer for replacement parts.
9. Use of a night light may provide added safety precaution for a child using the upper bunk.
10. Always use guardrails on both long sides of the upper bunk.
11. If the bunk bed will be placed next to a wall, the guardrail that runs the full length of the bed should be placed against the wall to prevent entrapment between the bed and the wall.
12. The use of water or sleep flotation mattress is prohibited .
13. Keep these instructions for future reference.
14. Use only mattress which is 74 3/4"X39" X5" on upper bunk and for bottom bunk required 74 3/4"X39" X5"mattress.
15. Prohibit more than one person on upper bunk.

STRANGULATION HAZARD:

16. Never attach or hang items to any part of the bunk bed that are not designed for use with the bed for example, but not limited to hooks, belts, and jump ropes.