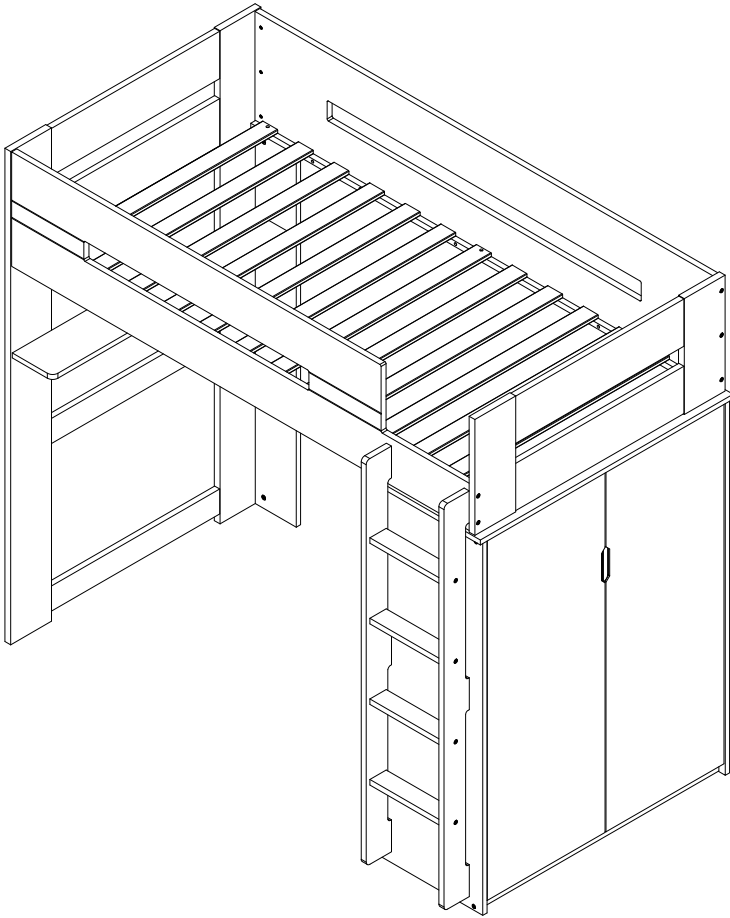
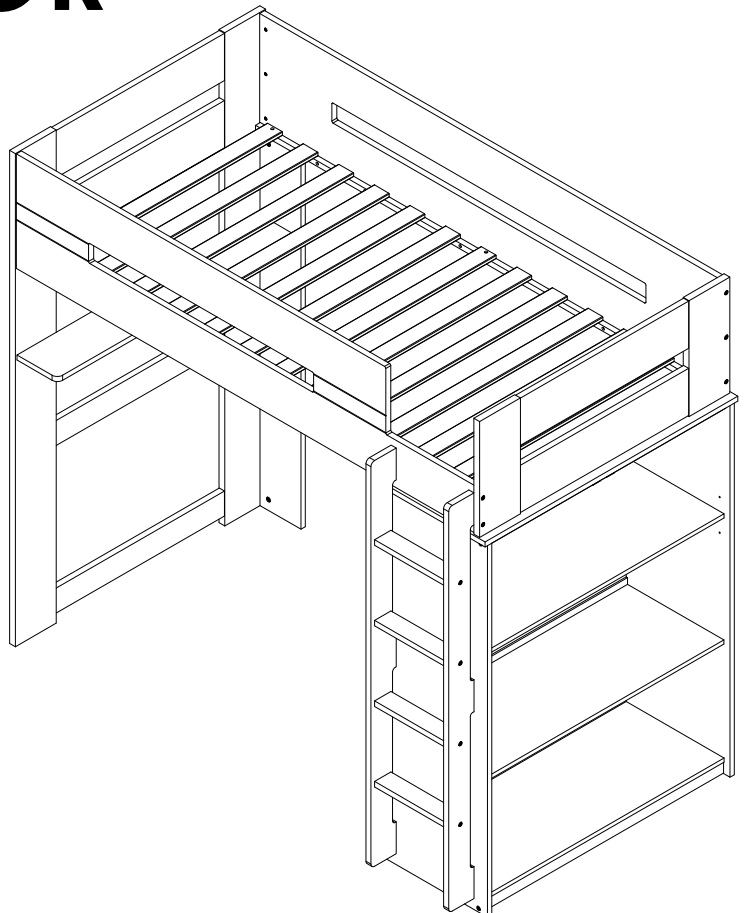


ASSEMBLY INSTRUCTION

MODEL : WS 162 TWIN LOFT BED (990 x 1905)MM



OR



Please make sure wardrobe /
bookcase have already been
assembled prior to this.

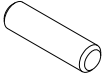
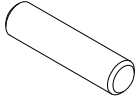
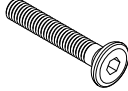
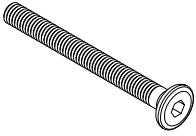


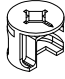


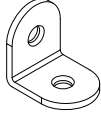
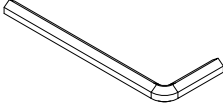
READ THESE INSTRUCTIONS CAREFULLY BEFORE ATTEMPTING TO ASSEMBLE THIS BED.

F1427-13 SAFETY WARNINGS AND GENERAL NOTES:

- Follow the information on the warnings appearing on the upper bunk bed end structure and on the carton. Do not remove the warning label from the bed.
- Always use the recommended size mattress or mattress support, or both, to help prevent the likelihood of entrapment or falls. (See Page 12)
- The top surface of the mattress must be at least 5" below the upper edge of the guardrails. (See Page 12)
- Do not allow children under 6 years of age to use the upper bunk.
- Periodically check and ensure the guardrail, ladder and other components are in their proper position, free from damage, and all connectors are tight.
- Prohibit horseplay on or under the bed. Always prohibit jumping on the bed.
- Prohibit more than one person on upper bunk.
- Always use the ladder for entering and leaving the upper bunk.
- Do not use substitute parts. Contact the manufacturer or dealer for replacement parts.
- Use of a night-light may provide added safety precaution for a child using the upper bunk.
- Always use guardrails on both long sides of the upper bunk.
- If the bunk bed will be placed next to a wall, the guardrail that runs the full length of the bed should be placed against the wall to prevent entrapment between the bed and the wall.
- The use of water or sleep flotation mattresses is prohibited.
- Keep these instructions for future reference.
- We recommend assembling your bunk bed on the shipping carton to protect your floor or carpet. Be certain all staples are out of the box before beginning assembly on the shipping carton.

STRANGULATION HAZARD - Never attach or hang items to any part of the bunk bed that are not designed for use with the bed; for example, but not limited to, hooks, belts, and jumpropes.

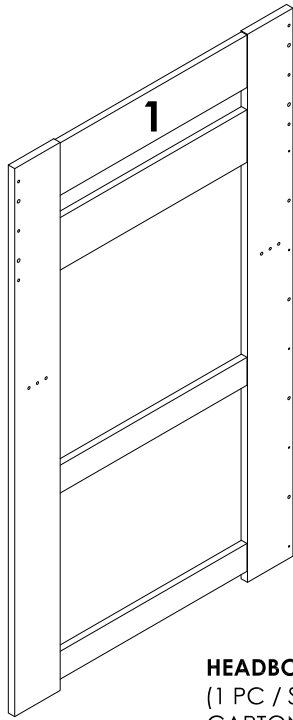
HARDWARE LIST

A 10 PCS  PLASTIC DOWEL (M8 x 30MM)	B 26 PCS  PLASTIC DOWEL (M10 x 35MM)	C 6 PCS  JCBC BOLT (M6 x 35MM)
D 24 PCS  JCBC BOLT (M6 x 60MM)	E 22 PCS  JRN NUT (M6 x 13MM)	F 5 PCS  CONNECTING BOLT (34MM)
G 5 PCS  MINIFIX (12MM)	H 4 PCS  CSK C/B SCREW (M3.5 x 12MM)	J 6 PCS  CSK C/B SCREW (M4 x 25MM)
K 2 PCS  2 HOLE L-BRACKET (18 x 20 x 2MM)	L 1 PC  ALLEN KEY (M4 x 60MM)	

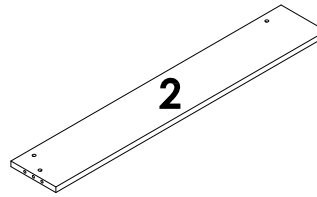
- The assembly will require at least two people to complete.
- Make sure all the fasteners are tight.
- Due to the size of this bed, It must be assembled within the space it will occupy.
- Above all, take your time and read the instruction carefully.

TOOLS REQUIRED :
 Crosshead Screwdriver
 Rubber Hammer

PART LIST



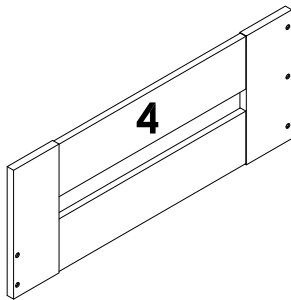
HEADBOARD
(1 PC / SET)
CARTON 1 OF 2



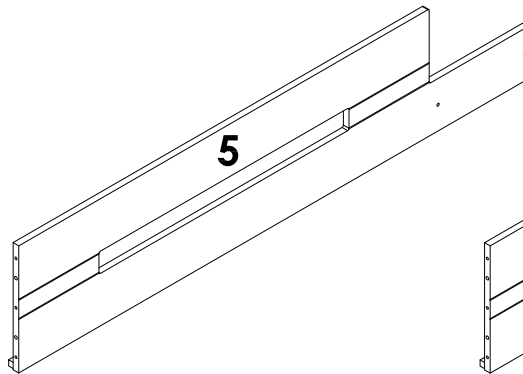
SHELF PANEL
(1 PC / SET)
CARTON 2 OF 2



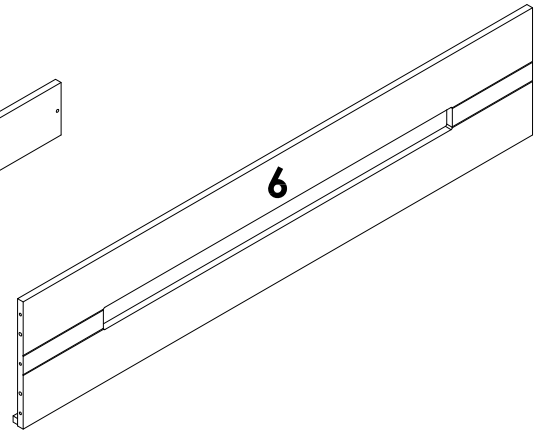
HEADBOARD SUPPORT
(1 PC / SET)
CARTON 2 OF 2



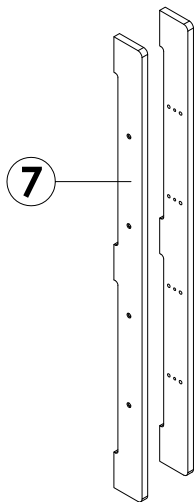
FOOTBOARD
(1 PC / SET)
CARTON 1 OF 2



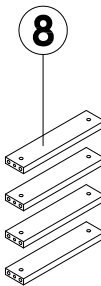
FRONT GUARD RAIL
(1 PC / SET)
CARTON 2 OF 2



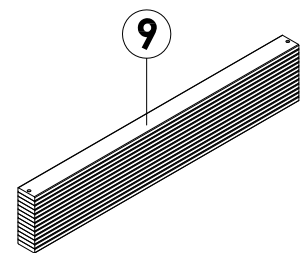
REAR GUARD RAIL
(1 PC / SET)
CARTON 2 OF 2



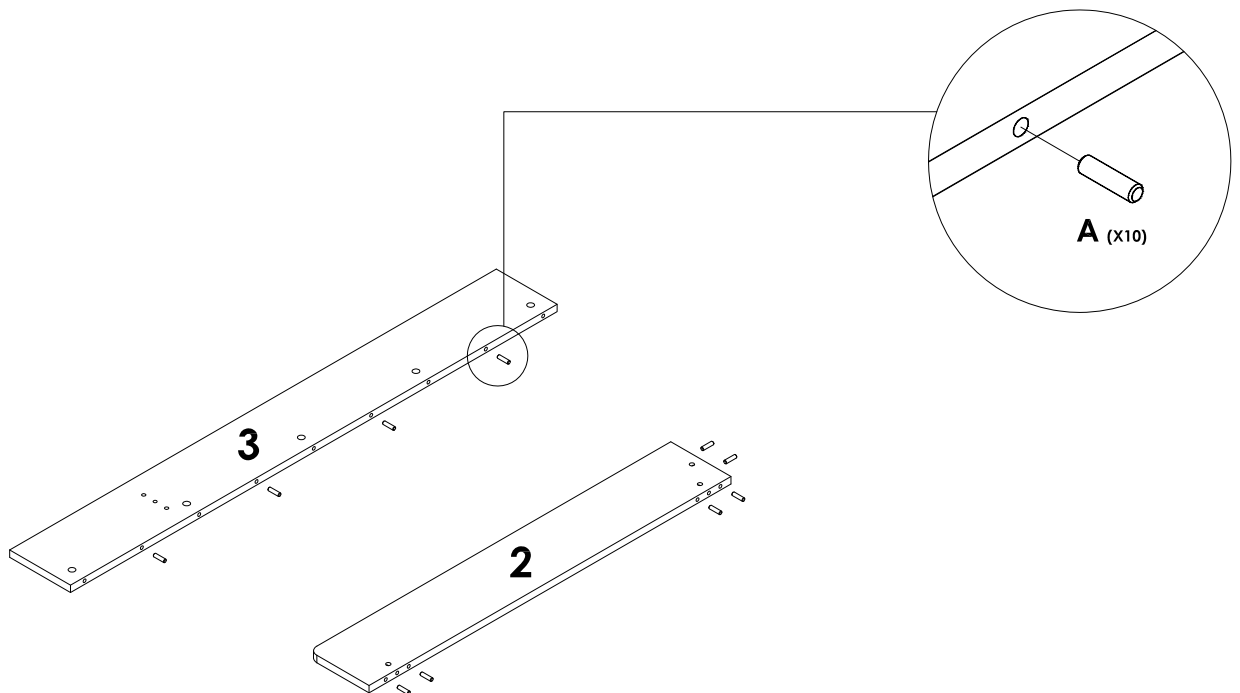
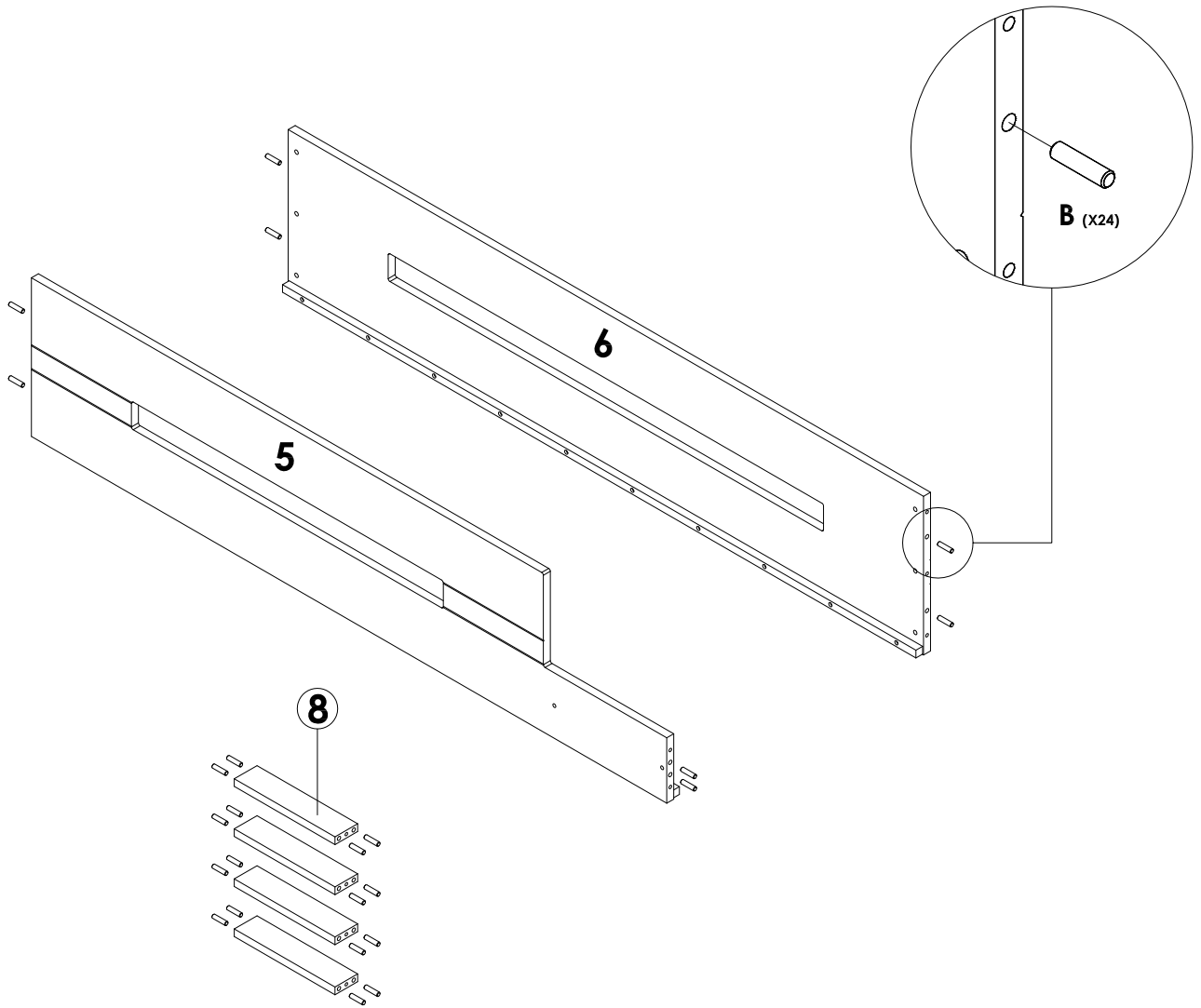
LADDER SIDE
(2 PCS / SET)
CARTON 2 OF 2

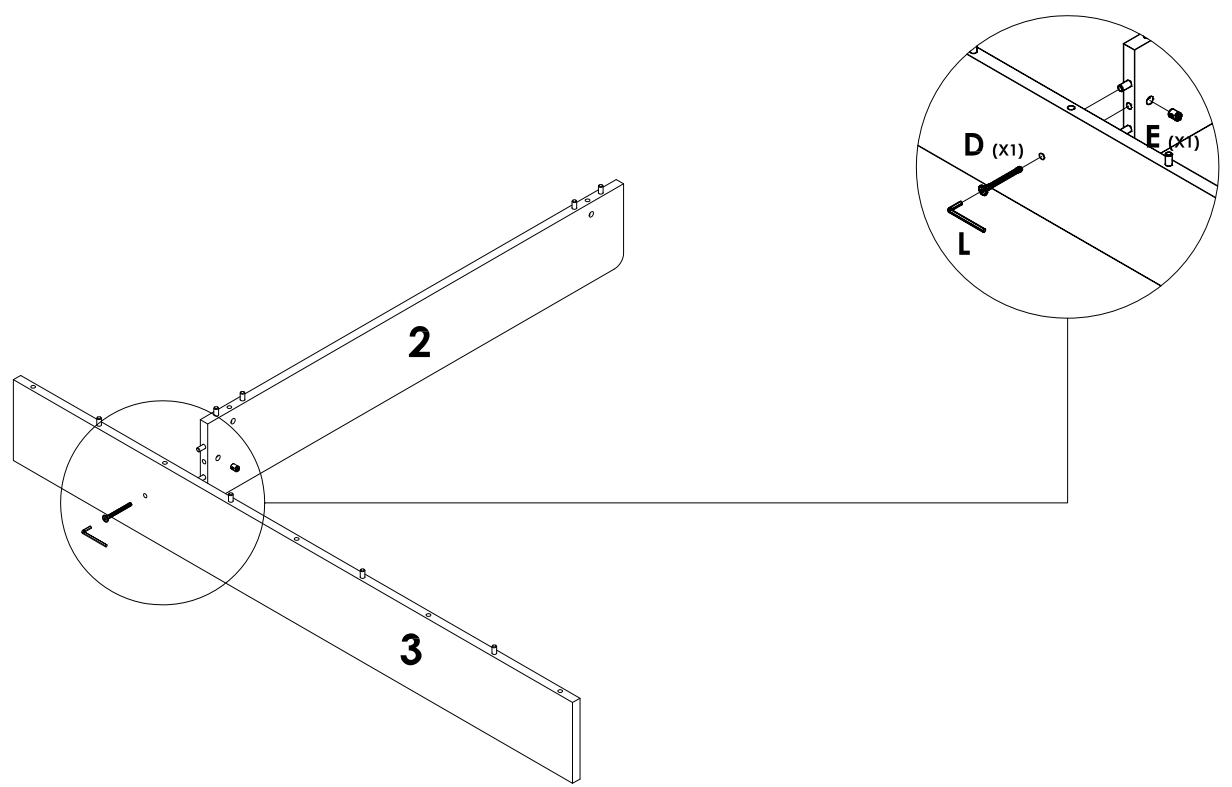
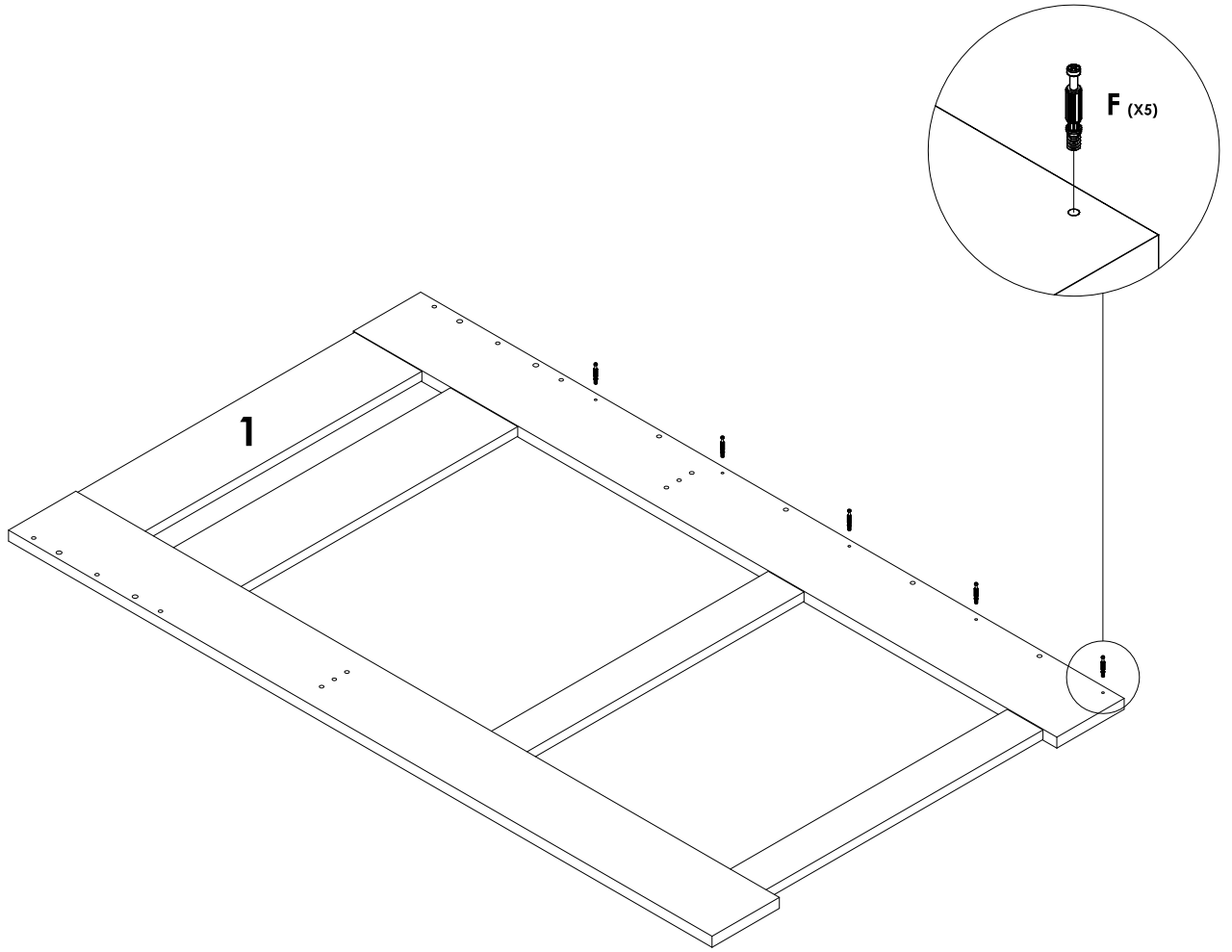


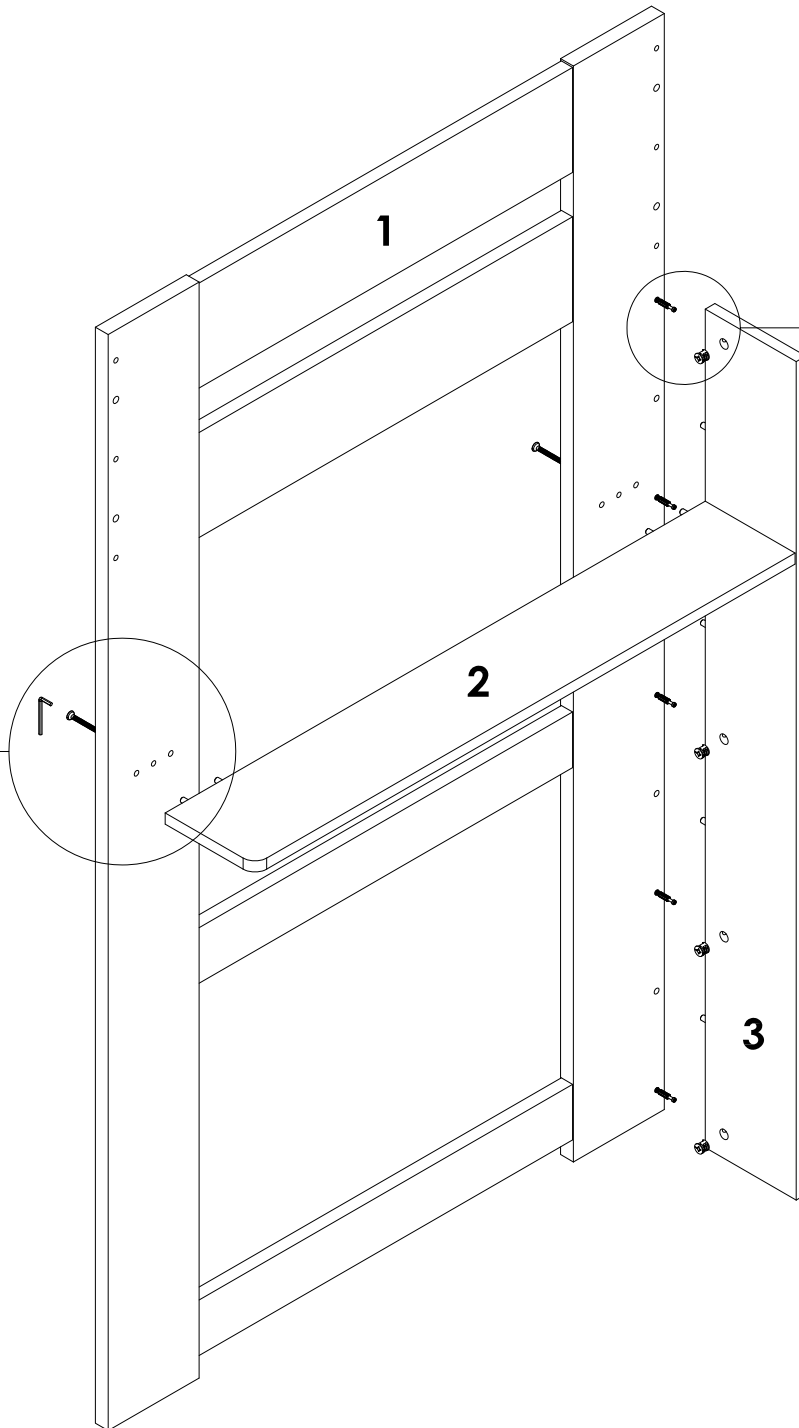
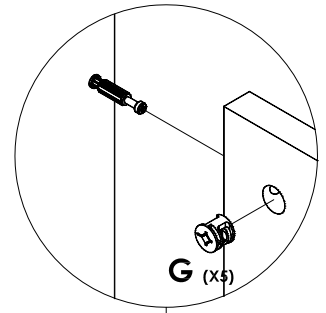
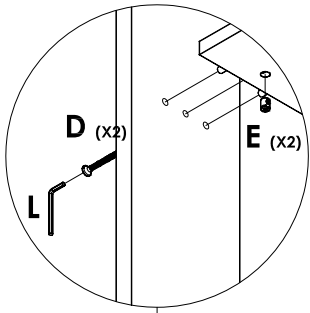
LADDER SLAT
(4 PCS / SET)
CARTON 2 OF 2

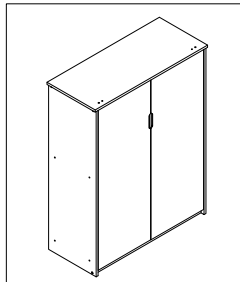
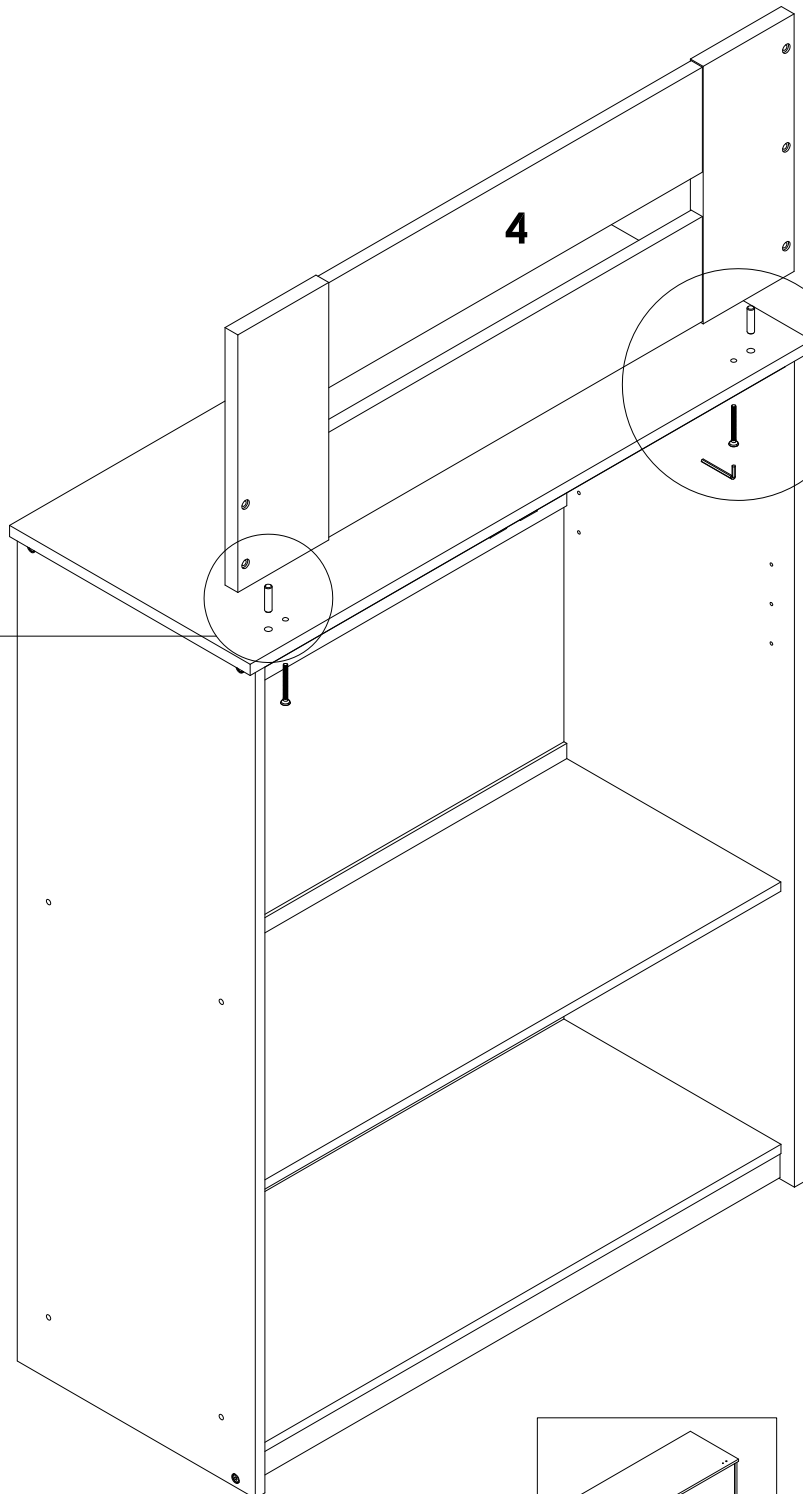
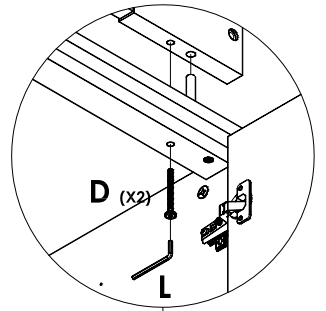
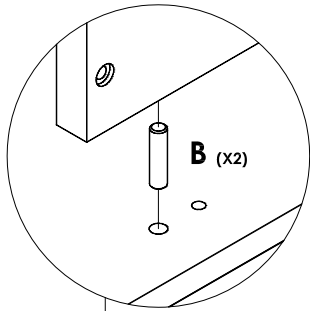


WOODEN SLAT
(13 PCS / SET)
CARTON 1 OF 2

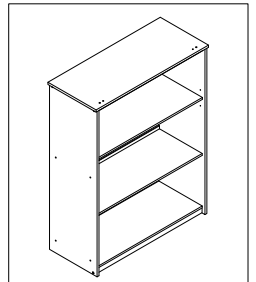


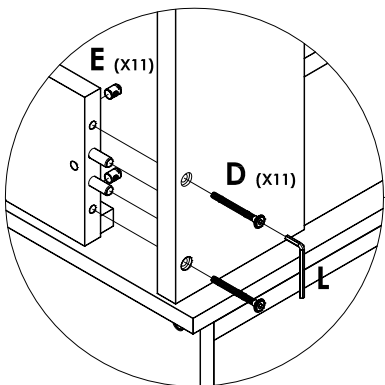
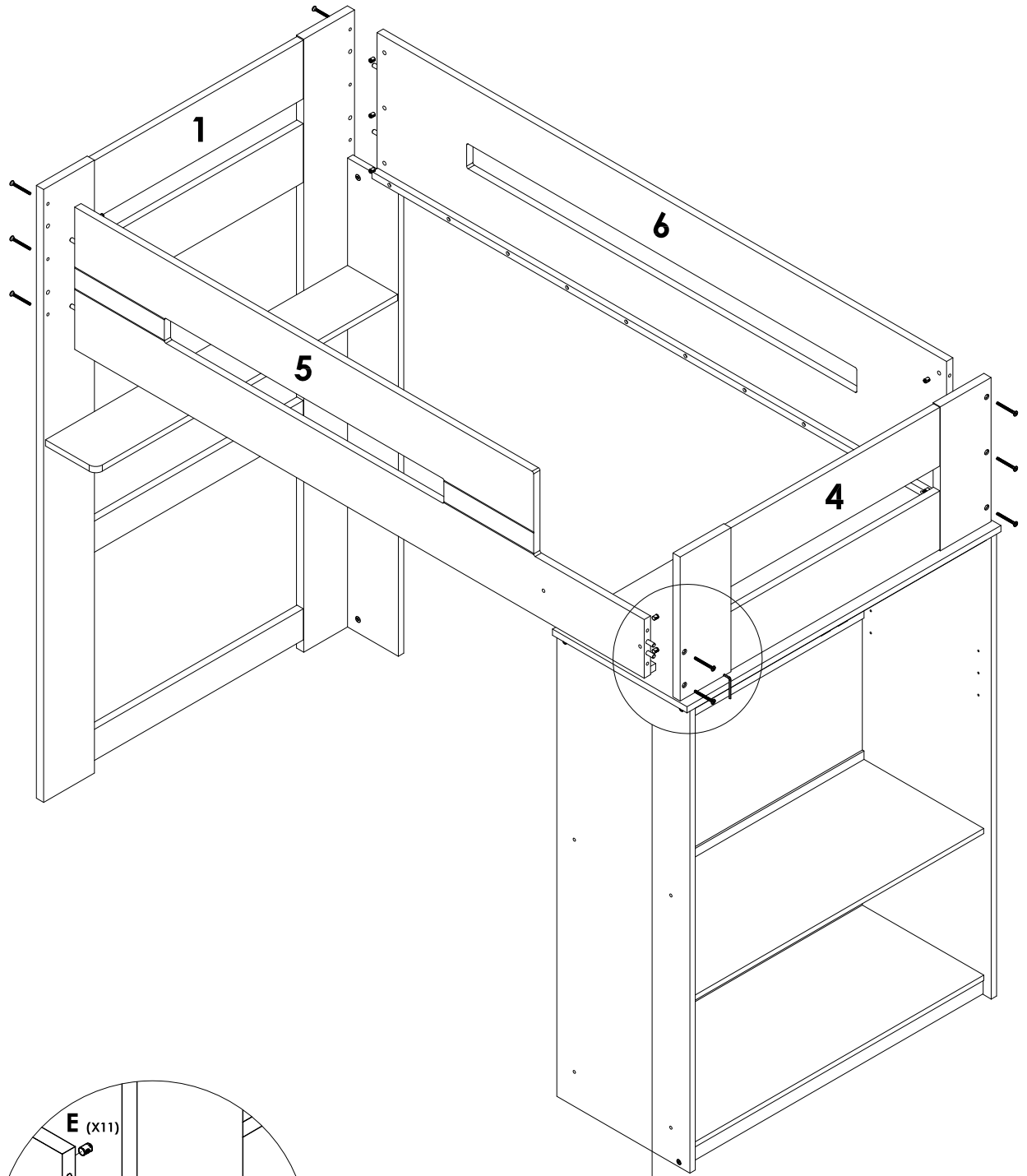


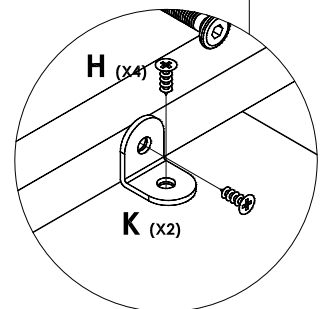
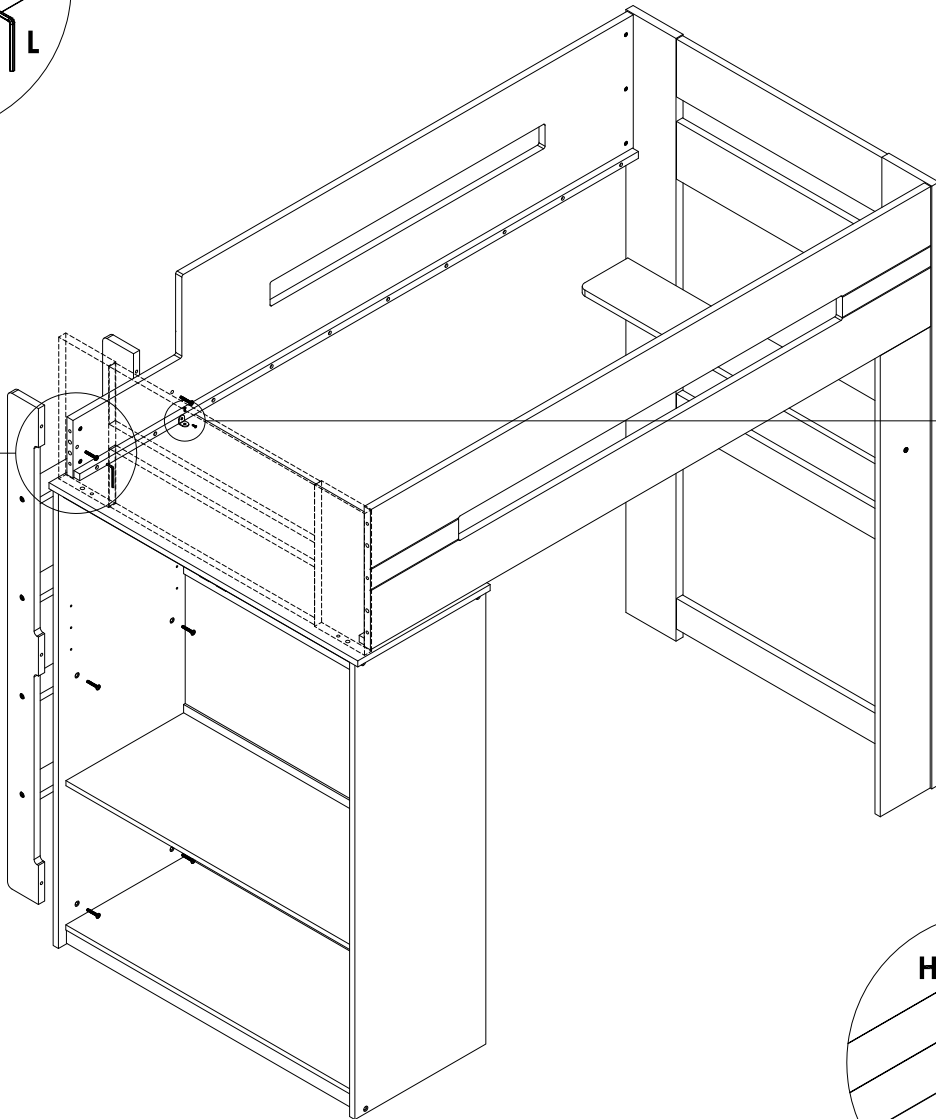
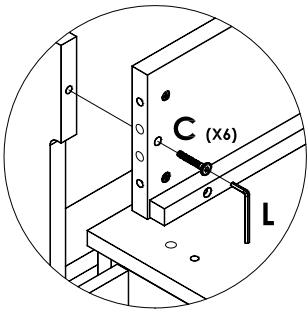
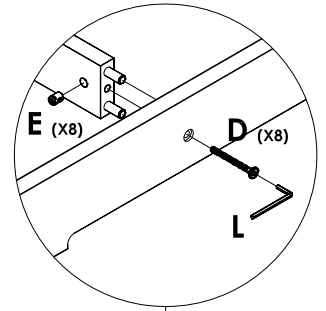
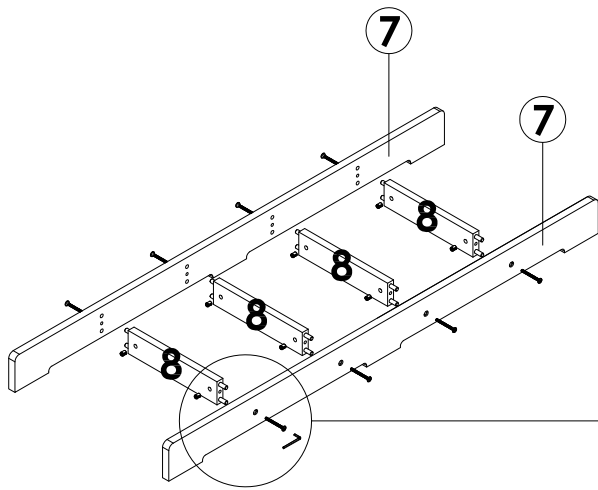


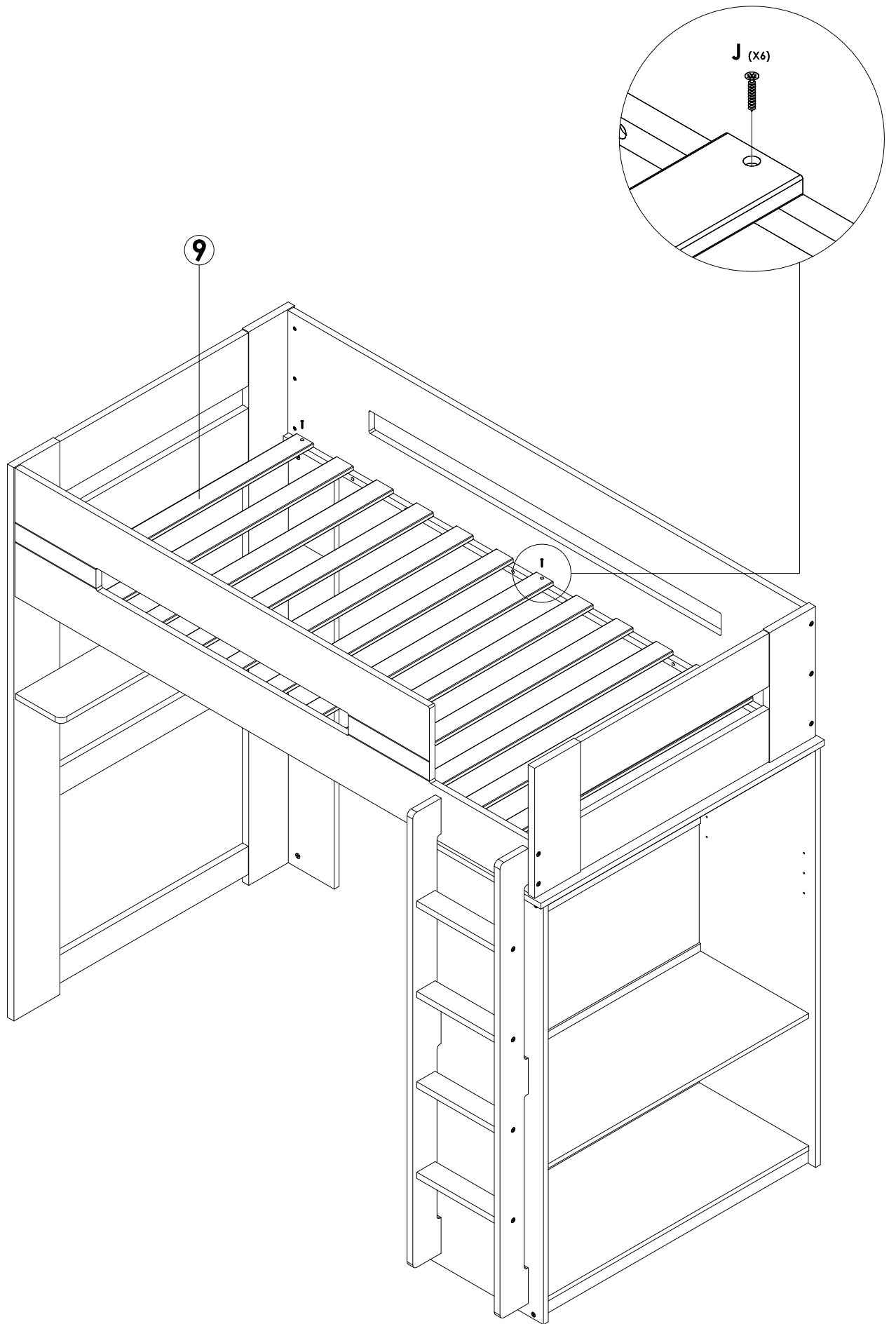


OR

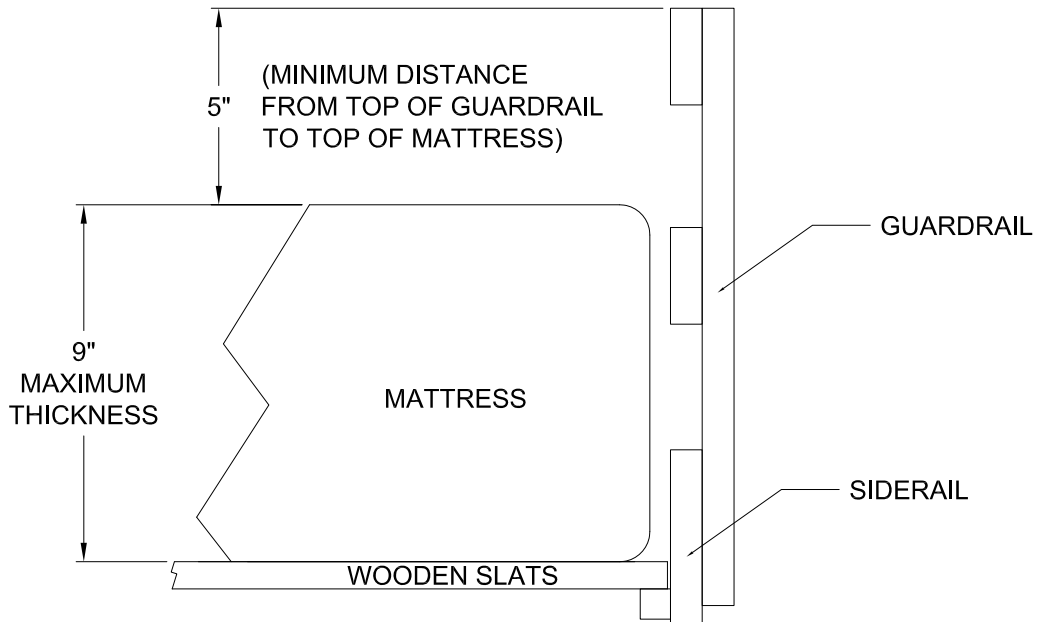








BEDDING SPECIFICATION



MATTRESS SIZE

Upper Bunk Mattress Specification :

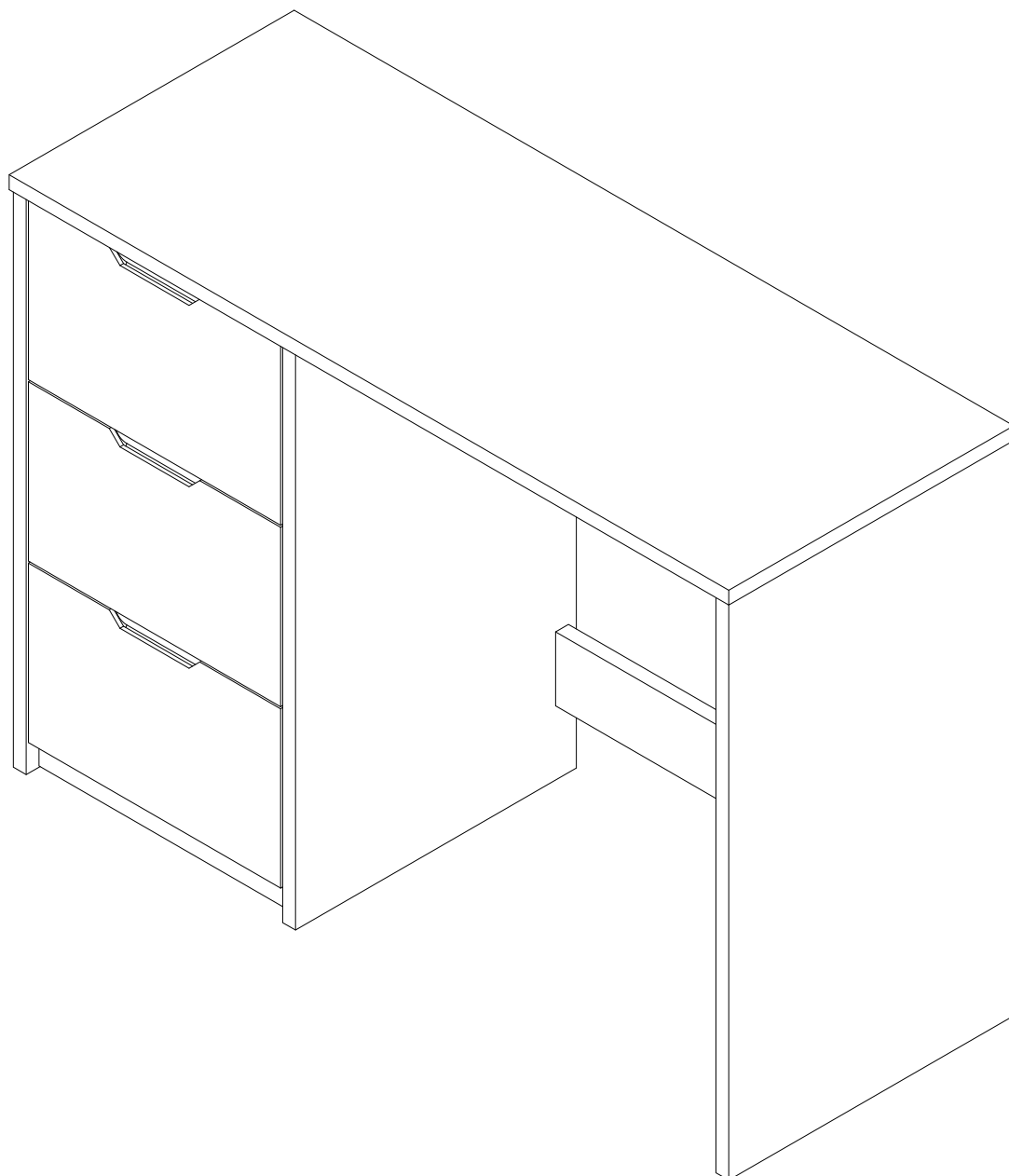
- Only use a mattress that is 74" - 75" long and 37 1/2" - 38 1/2" wide on upper bunk.
- Ensure thickness of mattress does not exceed 9".

Replacement parts :

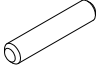

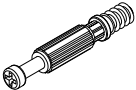



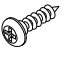
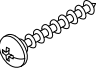
Replacement parts, including additional guard rails, can be obtained from any WASANIAGA SDN. BHD. distributor or retailer.

ASSEMBLY INSTRUCTION

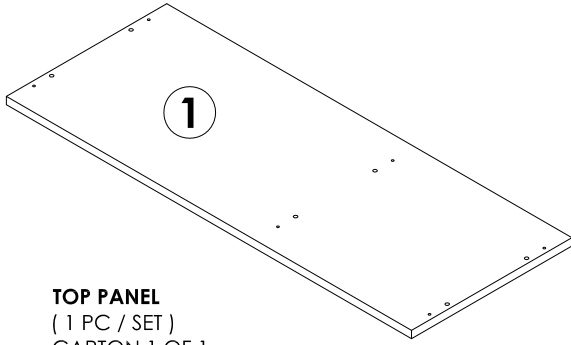
MODEL : WS 162 STUDY DESK



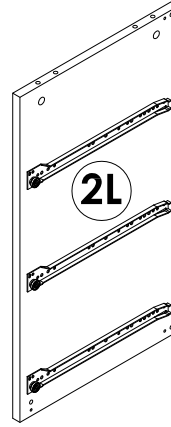
HARDWARE LIST

<p>A 24 PCS</p>  <p>PLASTIC DOWEL (M6 x 30MM)</p>	<p>B 18 PCS</p>  <p>PLASTIC DOWEL (M8 x 30MM)</p>	<p>C 22 PCS</p>  <p>CONNECTING BOLT (34MM)</p>
<p>D 6 PCS</p>  <p>MINIFIX (9MM)</p>	<p>E 16 PCS</p>  <p>MINIFIX (12MM)</p>	<p>F 6 PCS</p>  <p>CSK C/B SCREW (M4 x 32MM)</p>
<p>G 14 PCS</p>  <p>P/H C/B SCREW (M3.5 x 16MM)</p>	<p>H 2 PCS</p>  <p>P/H RATTAN SCREW (#8 x 32MM)</p>	<p>Tool Required : Crosshead Screw Driver</p>

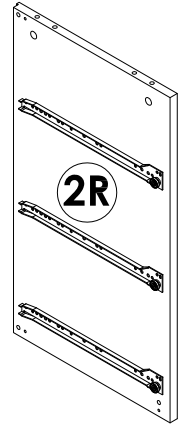
PART LIST



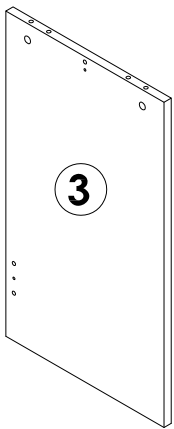
TOP PANEL
(1 PC / SET)
CARTON 1 OF 1



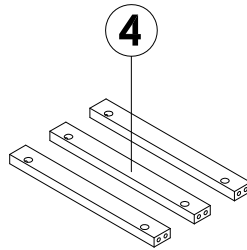
**SIDE PANEL
- DRAWER UNIT (L)**
(1 PC / SET)
CARTON 1 OF 1



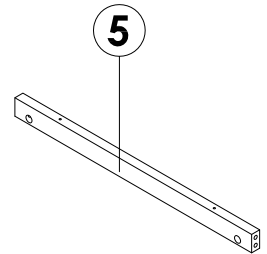
**SIDE PANEL
- DRAWER UNIT (R)**
(1 PC / SET)
CARTON 1 OF 1



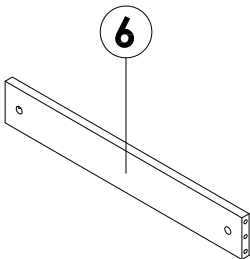
SIDE PANEL
(1 PC / SET)
CARTON 1 OF 1



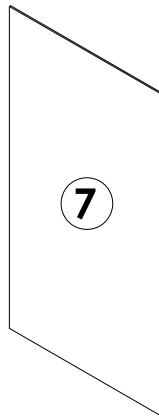
RAIL - DRAWER UNIT
(3 PCS / SET)
CARTON 1 OF 1



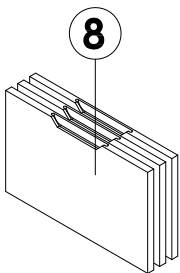
TOP RAIL
(1 PC / SET)
CARTON 1 OF 1



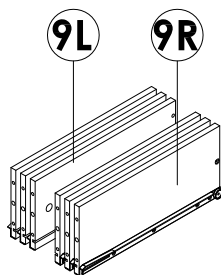
BOTTOM RAIL
(1 PC / SET)
CARTON 1 OF 1



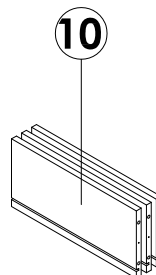
BACK PANEL
(1 PC / SET)
CARTON 1 OF 1



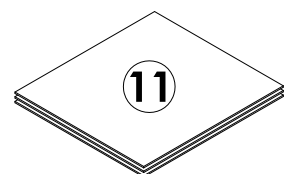
DRAWER FACE
(3 PCS / SET)
CARTON 1 OF 1



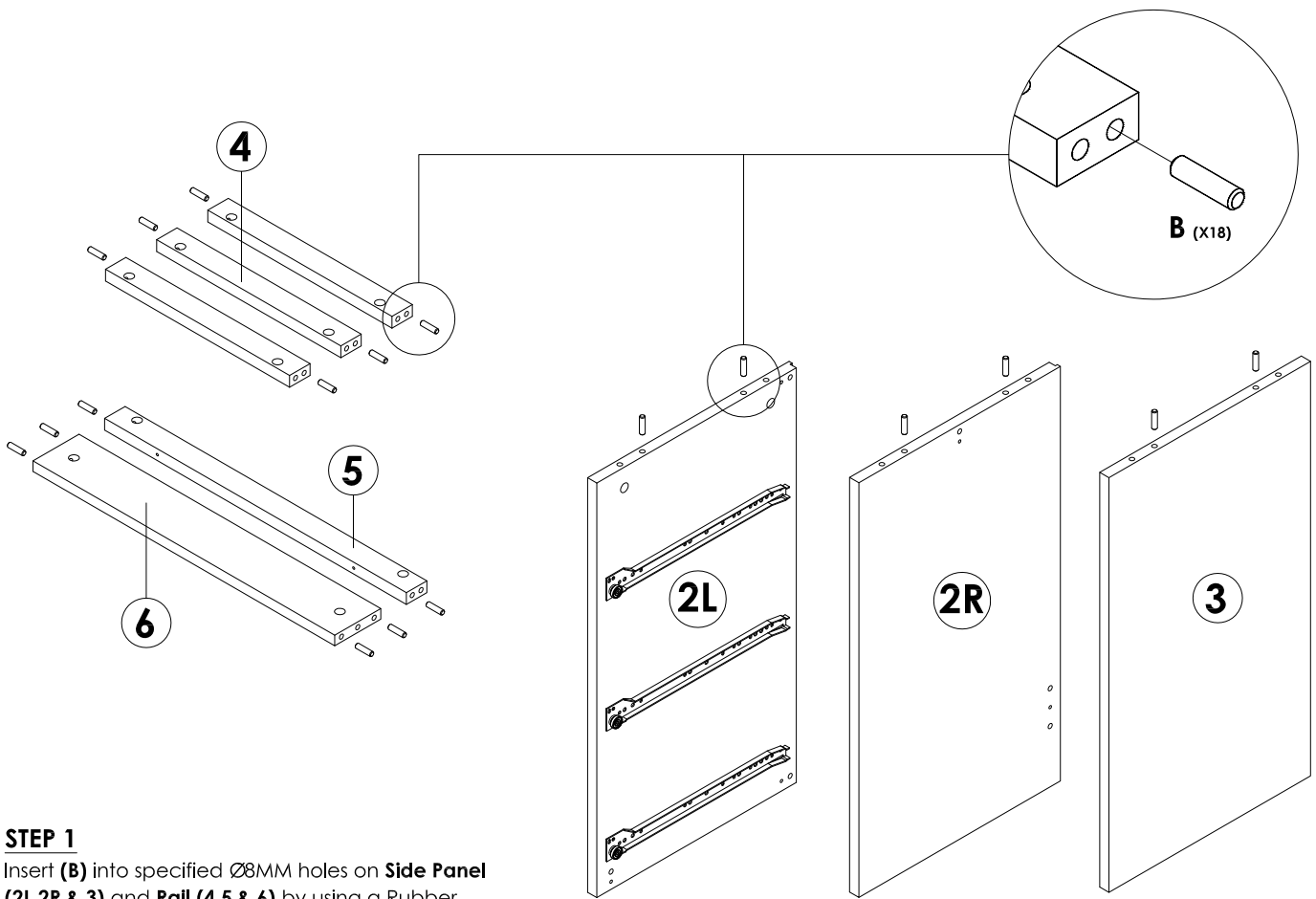
DRAWER SIDE (L&R)
(6 PCS / SET)
CARTON 1 OF 1



DRAWER REAR
(3 PCS / SET)
CARTON 1 OF 1

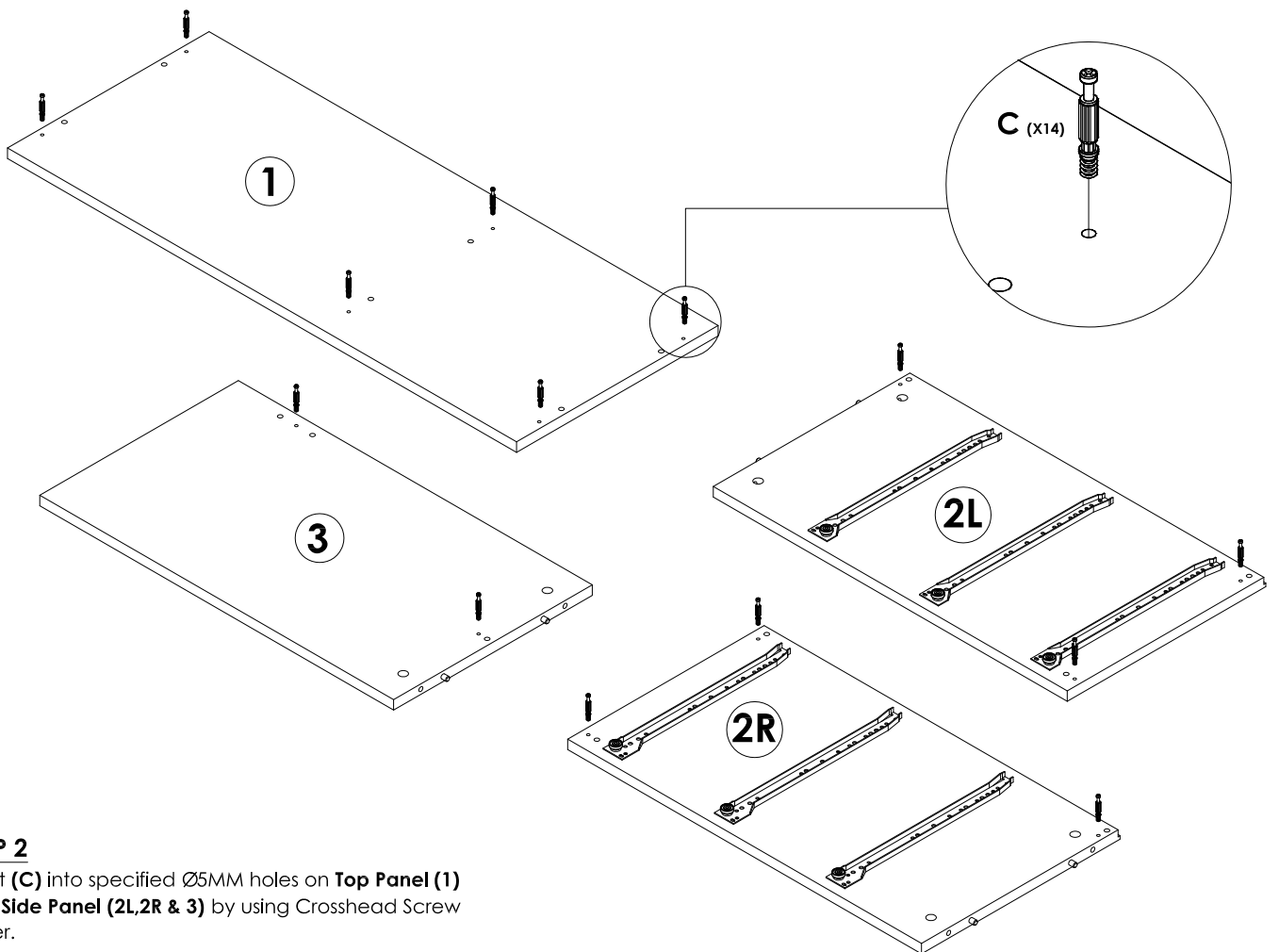


DRAWER BASE
(3 PCS / SET)
CARTON 1 OF 1



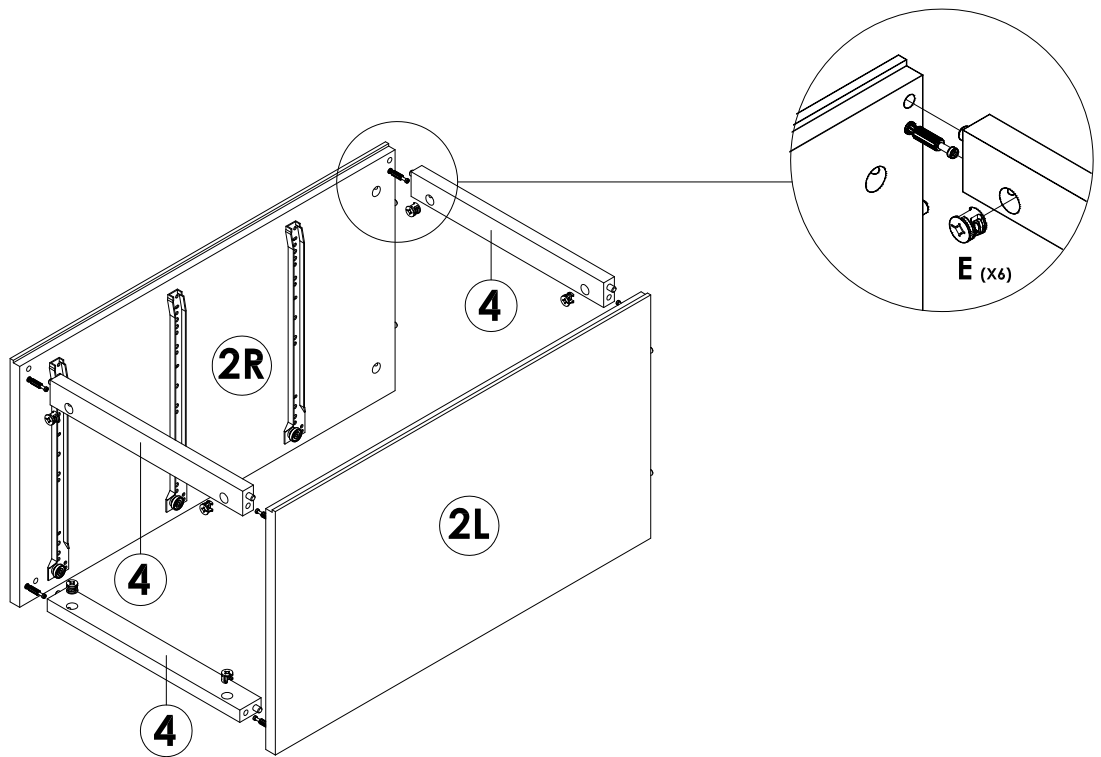
STEP 1

Insert **(B)** into specified $\varnothing 8\text{MM}$ holes on **Side Panel (2L, 2R & 3)** and **Rail (4, 5 & 6)** by using a Rubber Hammer.



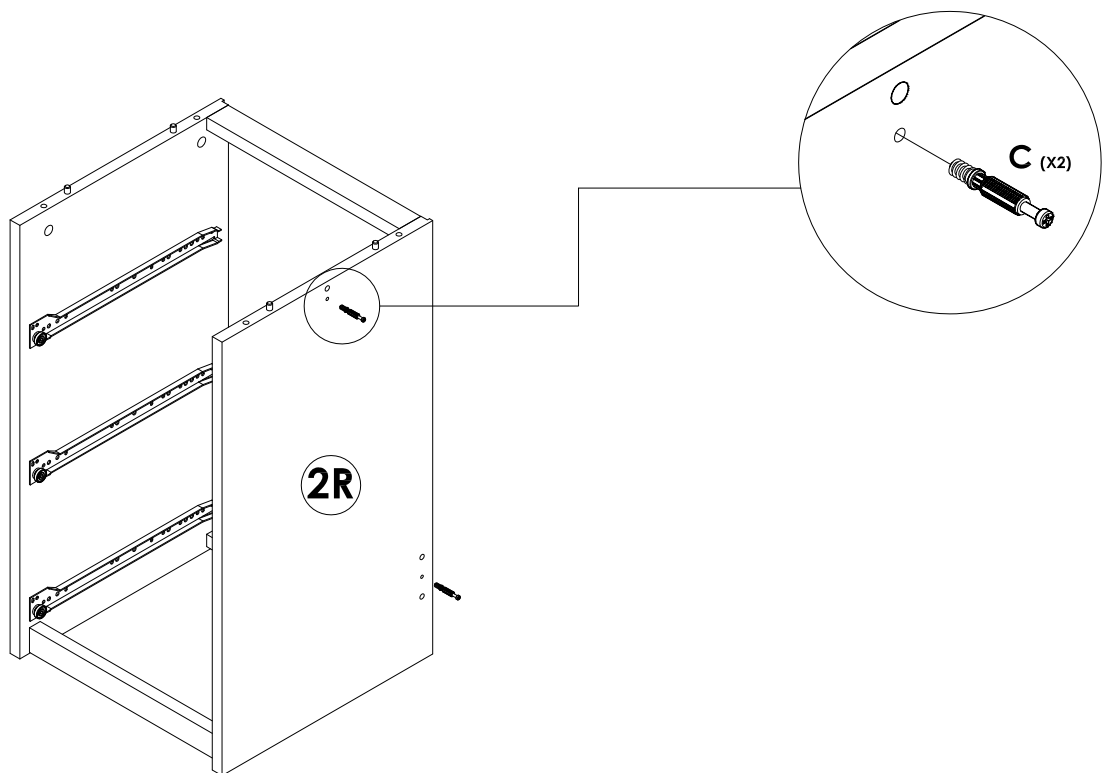
STEP 2

Insert **(C)** into specified $\varnothing 5\text{MM}$ holes on **Top Panel (1)** and **Side Panel (2L, 2R & 3)** by using Crosshead Screw Driver.



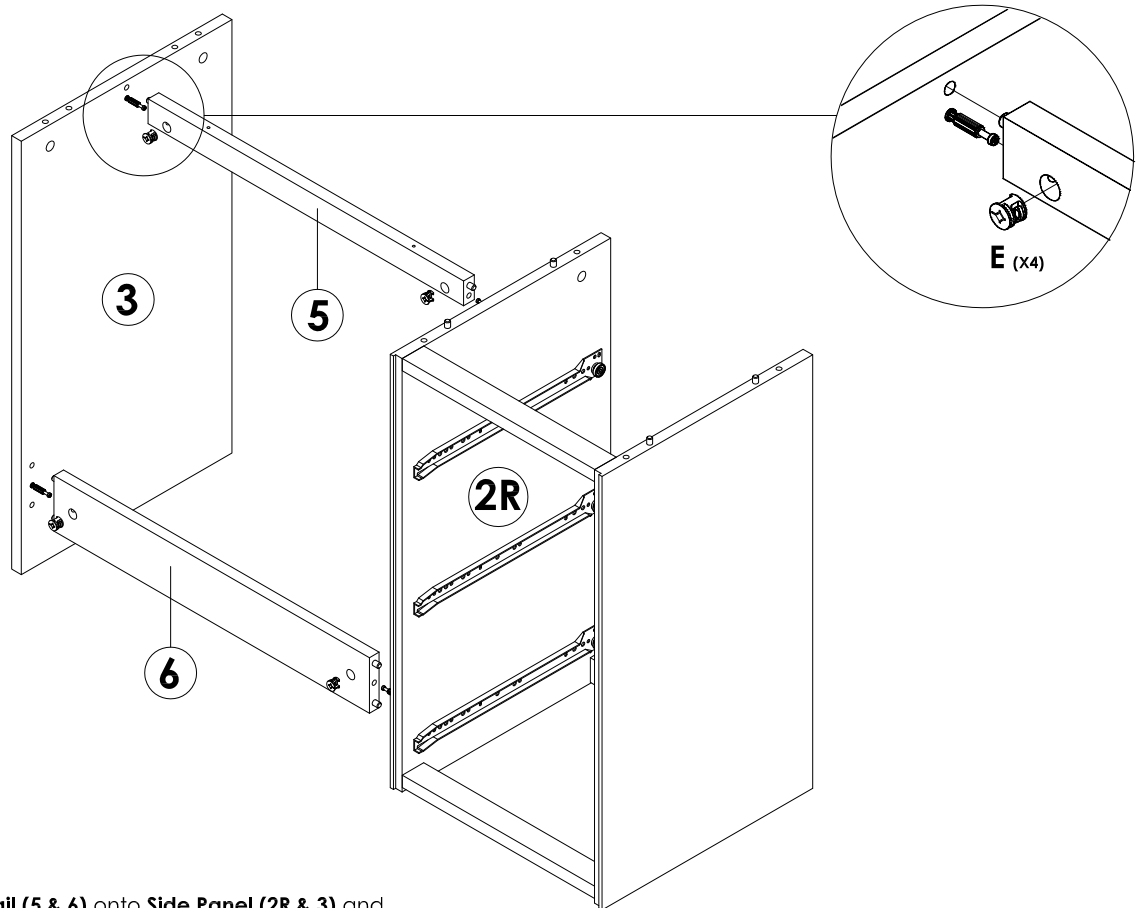
STEP 3

Attach and secure **Rail (4)** onto **Side Panel (2L & 2R)** and insert **(E)** to tighten it up by using Crosshead Screw Driver.



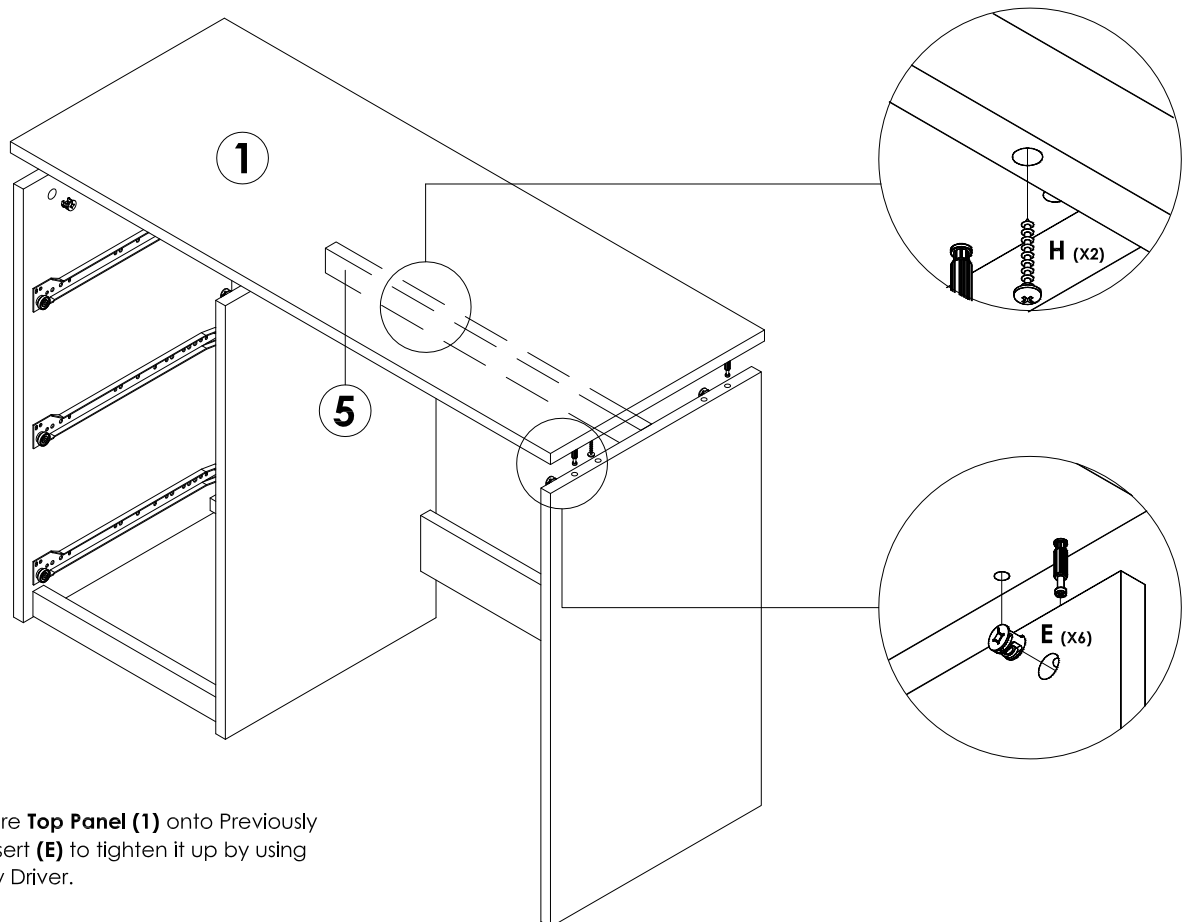
STEP 4

Insert **(C)** into specified $\varnothing 5\text{MM}$ holes on **Side Panel (2R)** by using Crosshead Screw Driver.



STEP 5

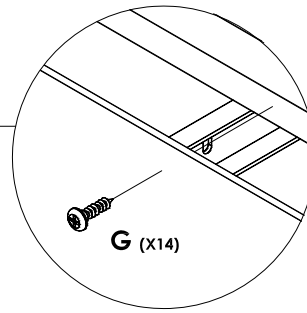
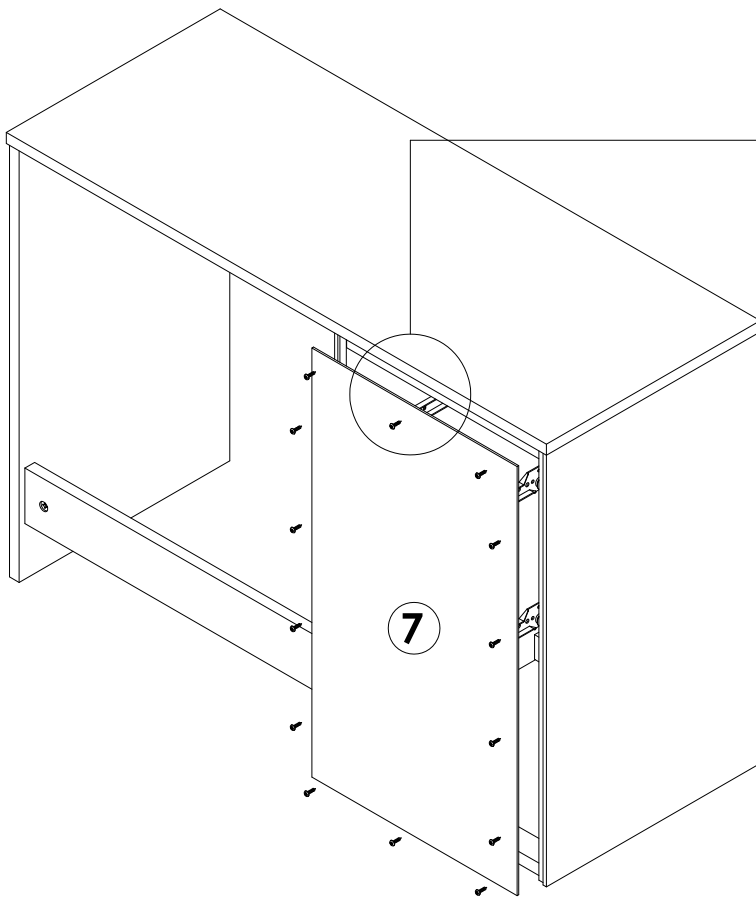
Attach and secure **Rail (5 & 6)** onto **Side Panel (2R & 3)** and insert **(E)** to tighten it up by using Crosshead Screw Driver.



STEP 6

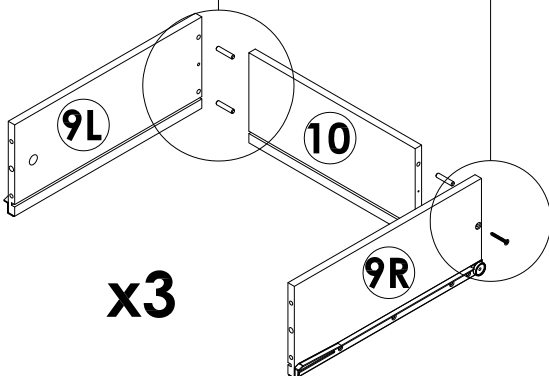
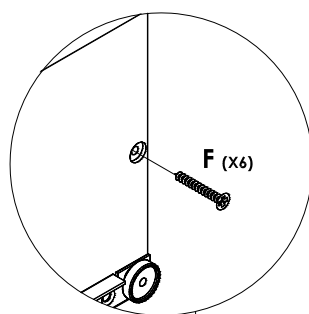
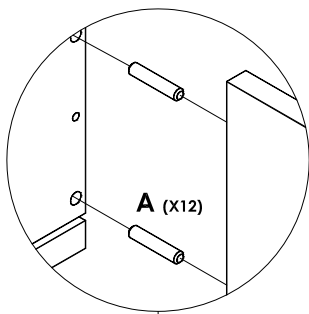
Attach and secure **Top Panel (1)** onto Previously Assembly and insert **(E)** to tighten it up by using Crosshead Screw Driver.

Insert **(H)** from underneath **Rail (5)** to tighten it up by using Crosshead Screw Driver.



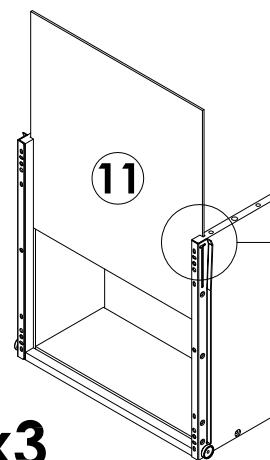
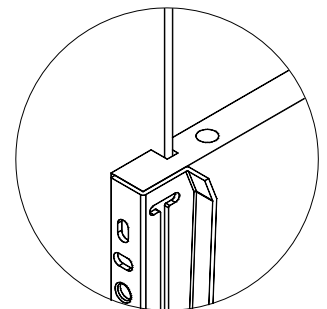
STEP 7

Attach **Back Panel (7)** onto Previous Assembly and use **(G)** to secure and tighten it up by using Crosshead Screw Driver.



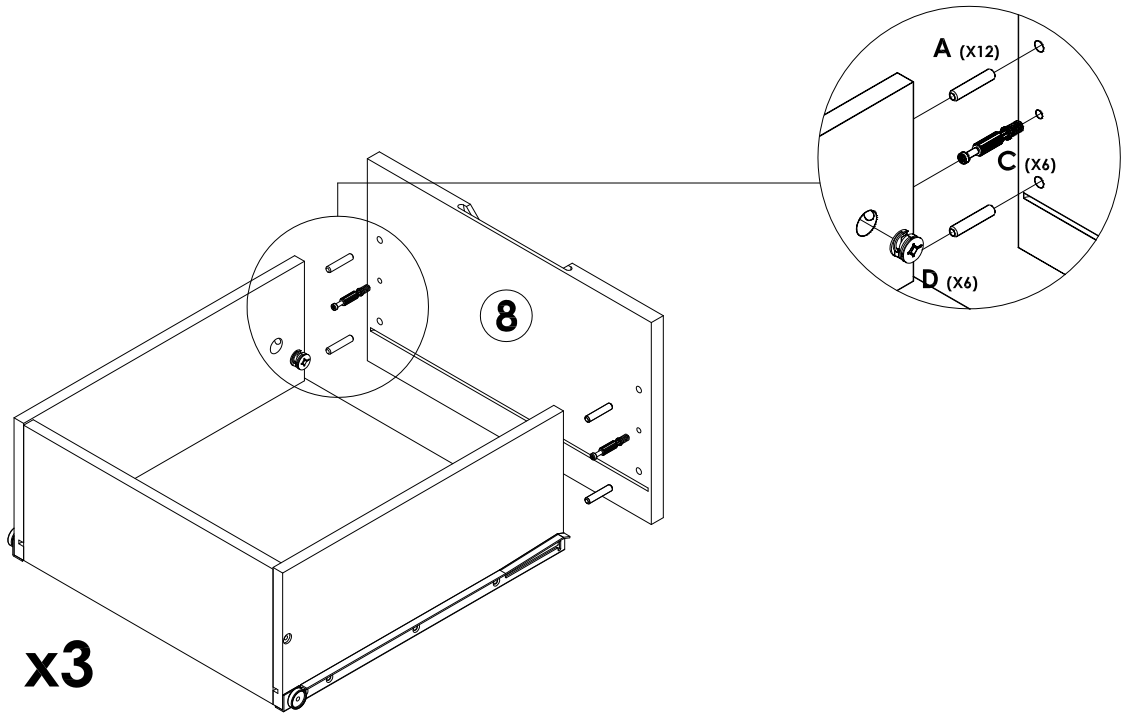
STEP 8

Attach and secure **Drawer Side (9L & 9R)** to **Drawer Rear (10)** and insert **(A)** and **(F)** to tighten it up by using Crosshead Screw Driver.



STEP 9

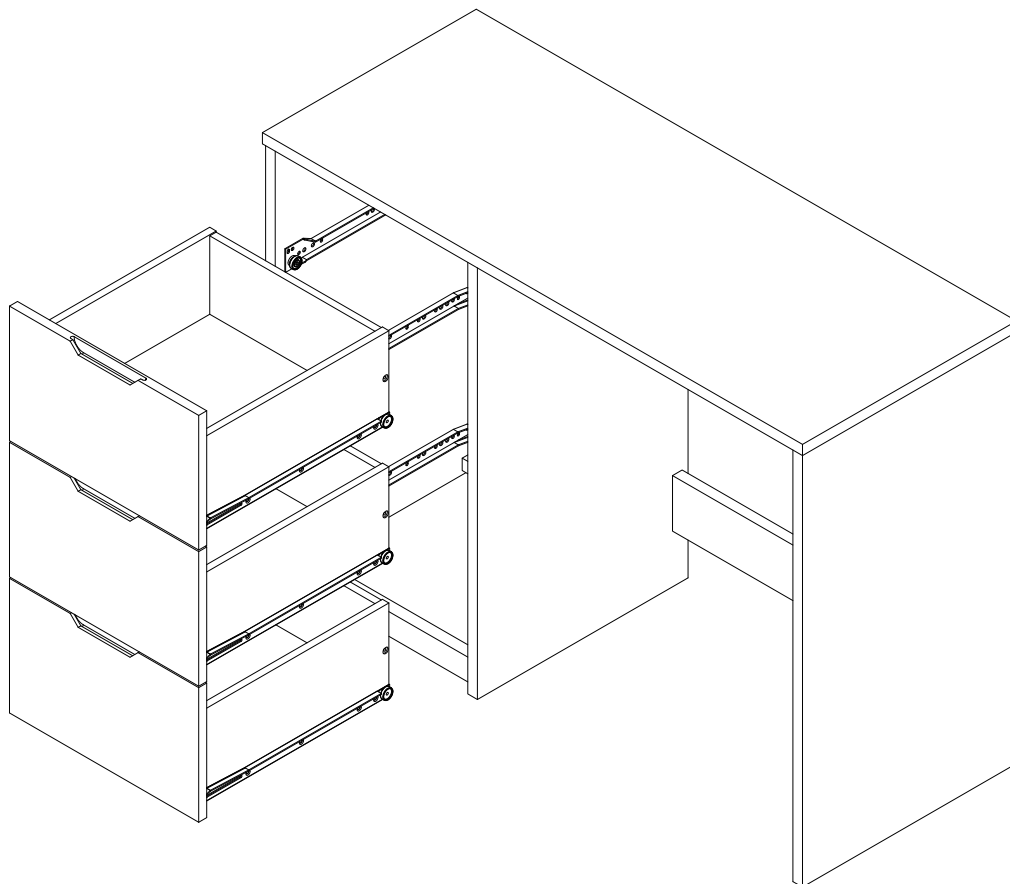
Slot **Drawer Base (11)** into the groove lines at **Drawer Side (9L & 9R)** and **Drawer Rear (10)**.



x3

STEP 10

Attach and secure **Drawer Face (8)** to Previous Assembly and insert **(A)** and **(C)**. use **(D)** to secure and tighten it up by using Crosshead Screw Driver.

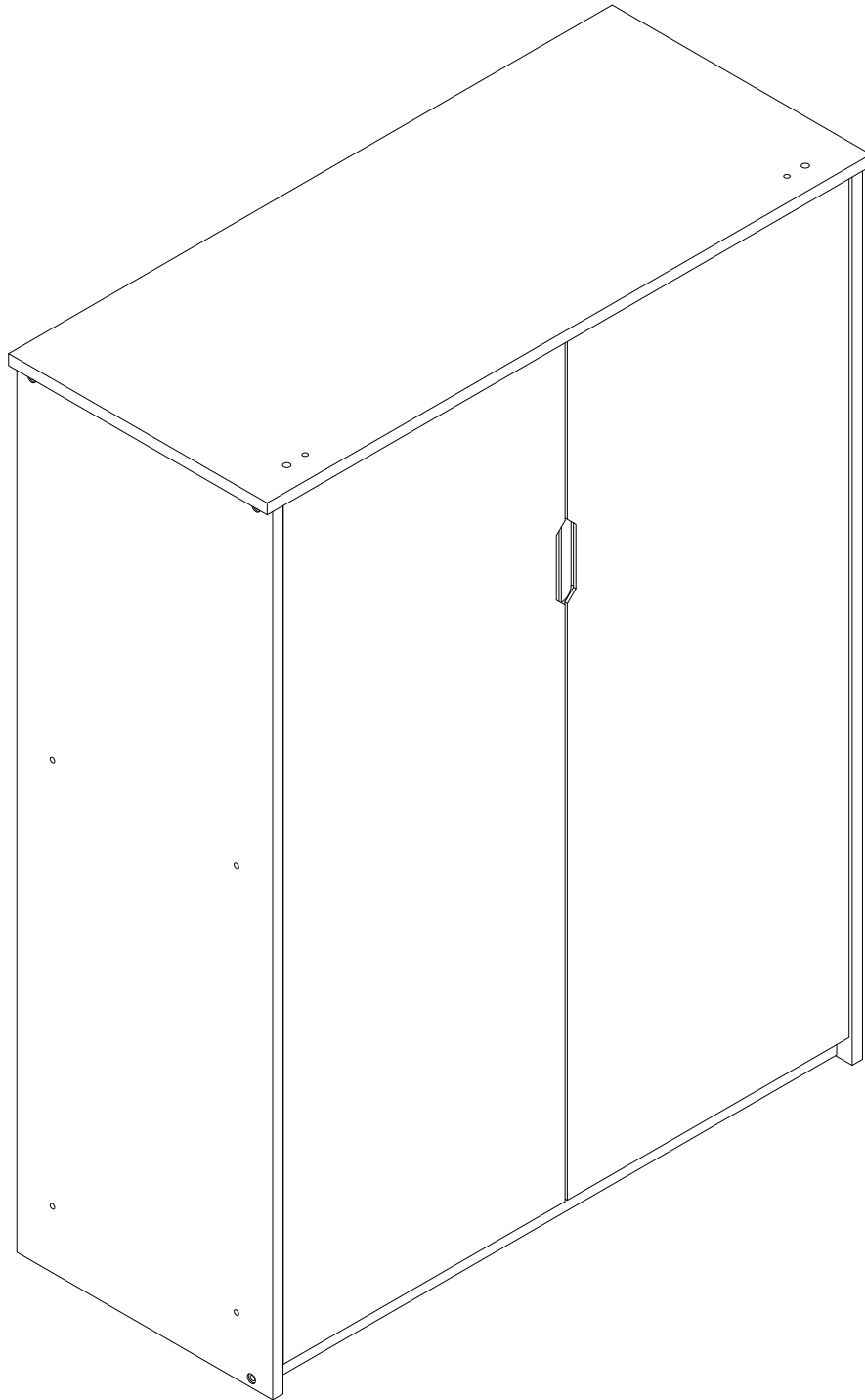


STEP 11

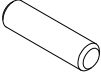
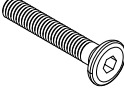
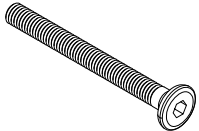

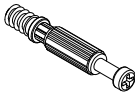




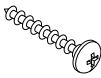
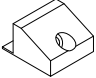
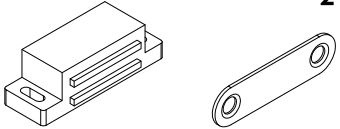
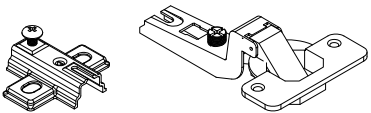
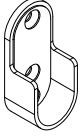
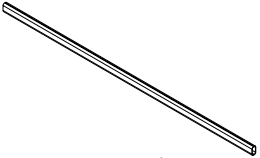
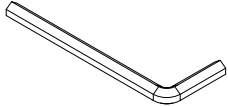
Insert **Drawers** into previous Assembly.

ASSEMBLY INSTRUCTION

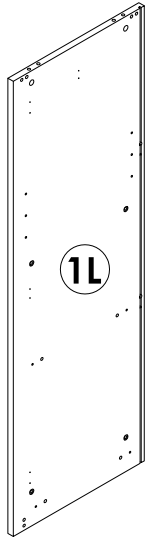
MODEL : WS 162 2 DOORS WARDROBE (L1050 x W450 x H1360)MM



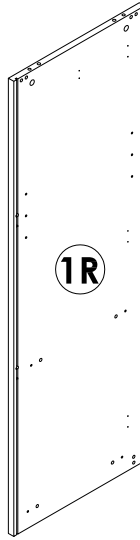
HARDWARE LIST

<p>A 26 PCS</p>  <p>PLASTIC DOWEL (M8 x 30MM)</p>	<p>B 2 PCS</p>  <p>JCBC BOLT (M6 x 35MM)</p>	<p>C 6 PCS</p>  <p>JCBC BOLT (M6 x 60MM)</p>
<p>D 6 PCS</p>  <p>JRN NUT (M6 x 13MM)</p>	<p>E 19 PCS</p>  <p>CONNECTING BOLT (34MM)</p>	<p>F 19 PCS</p>  <p>MINIFIX (12MM)</p>
<p>G 6 PCS</p>  <p>CSK C/B SCREW (M3 x 20MM)</p>	<p>H 32 PCS</p>  <p>CSK C/B SCREW (M3.5 x 12MM)</p>	<p>J 4 PCS</p>  <p>P/H C/B SCREW (M3.5 x 16MM)</p>
<p>K 3 PCS</p>  <p>P/H C/B SCREW (M4 x 32MM)</p>	<p>L 6 PCS</p>  <p>PLASTIC CORNER BLOCK (ABS)</p>	<p>M 2 PCS</p>  <p>MAGNET 3.5KG (WHITE)</p>
<p>N 6 PCS</p>  <p>CONCEALED HINGES B54-15 (7/8"MM) PLATE H2</p>	<p>P 2 PCS</p>  <p>NICKEL OVAL PIPE HOLDER</p>	<p>Q 1 PC</p>  <p>ALUMINIUM OVAL TUBE (30 x 15 x 980MM)</p>
<p>R 1 PC</p>  <p>ALLEN KEY (M4 x 60MM)</p>	<p>Tools Required : Crosshead Screw Driver Rubber Hammer</p>	

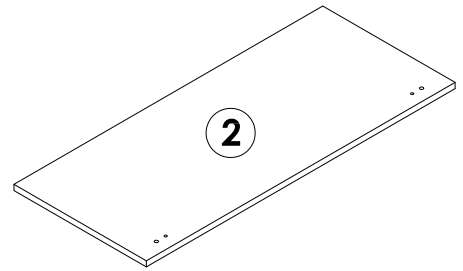
PART LIST



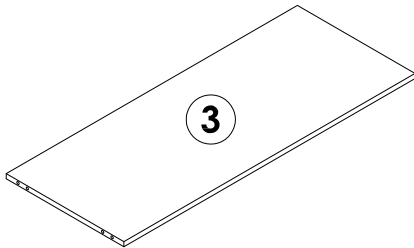
SIDE PANEL (LEFT)
(1 PC / SET)
CARTON 1 OF 2



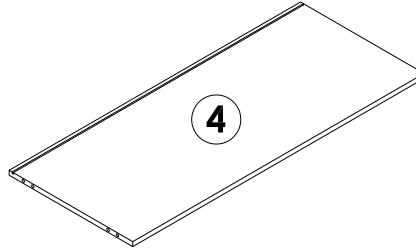
SIDE PANEL (RIGHT)
(1 PC / SET)
CARTON 1 OF 2



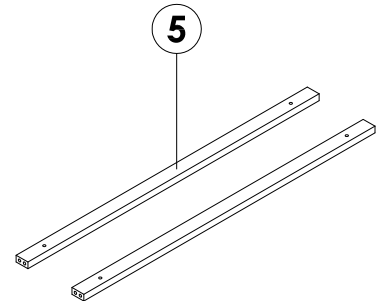
TOP PANEL
(1 PC / SET)
CARTON 2 OF 2



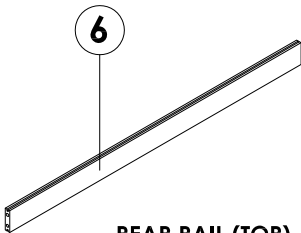
SHELF
(1 PC / SET)
CARTON 2 OF 2



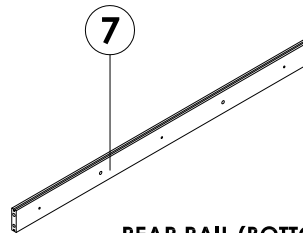
BOTTOM PANEL
(1 PC / SET)
CARTON 2 OF 2



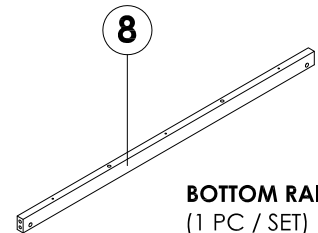
TOP RAIL
(2 PCS / SET)
CARTON 2 OF 2



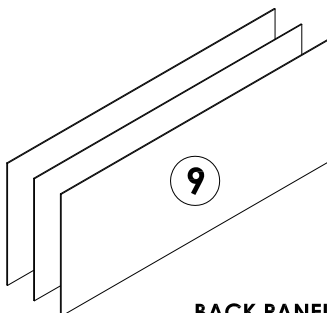
REAR RAIL (TOP)
(1 PC / SET)
CARTON 2 OF 2



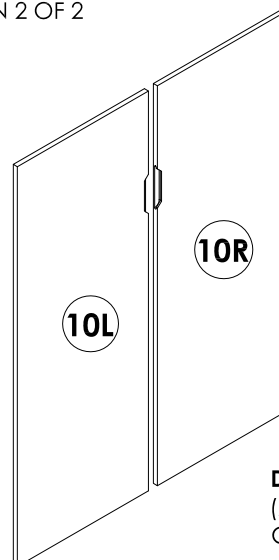
REAR RAIL (BOTTOM)
(1 PC / SET)
CARTON 2 OF 2



BOTTOM RAIL
(1 PC / SET)
CARTON 2 OF 2

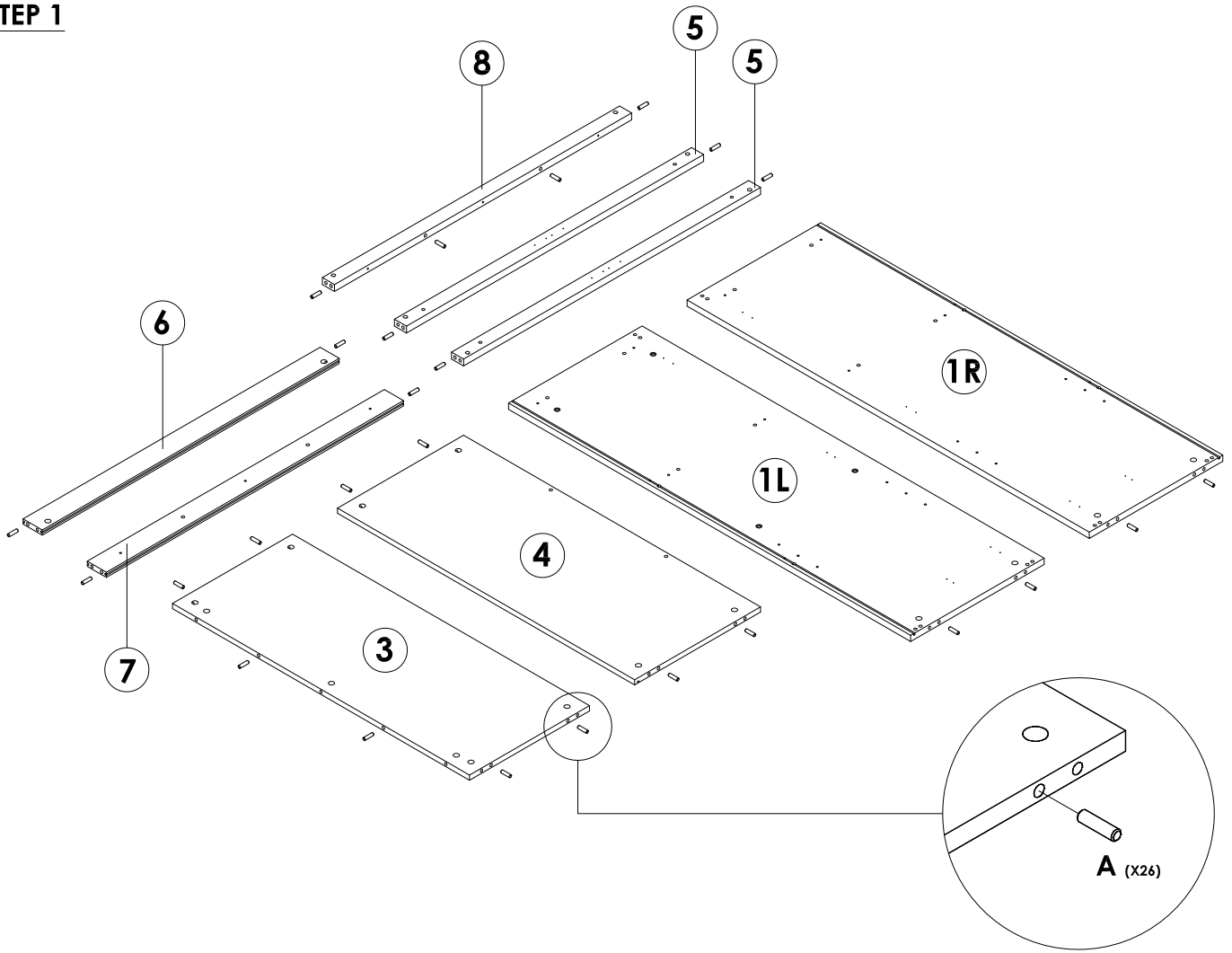


BACK PANEL
(3 PCS / SET)
CARTON 2 OF 2

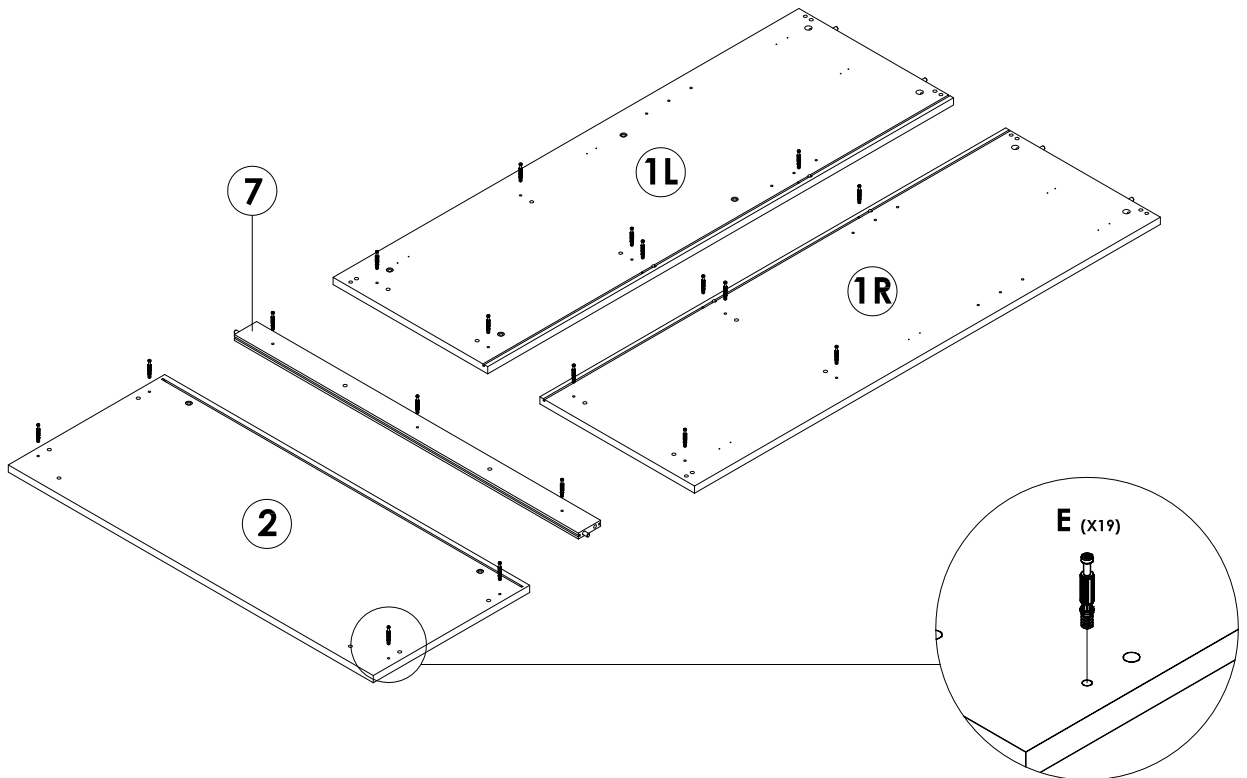


DOOR
(2 PCS / SET)
CARTON 1 OF 2

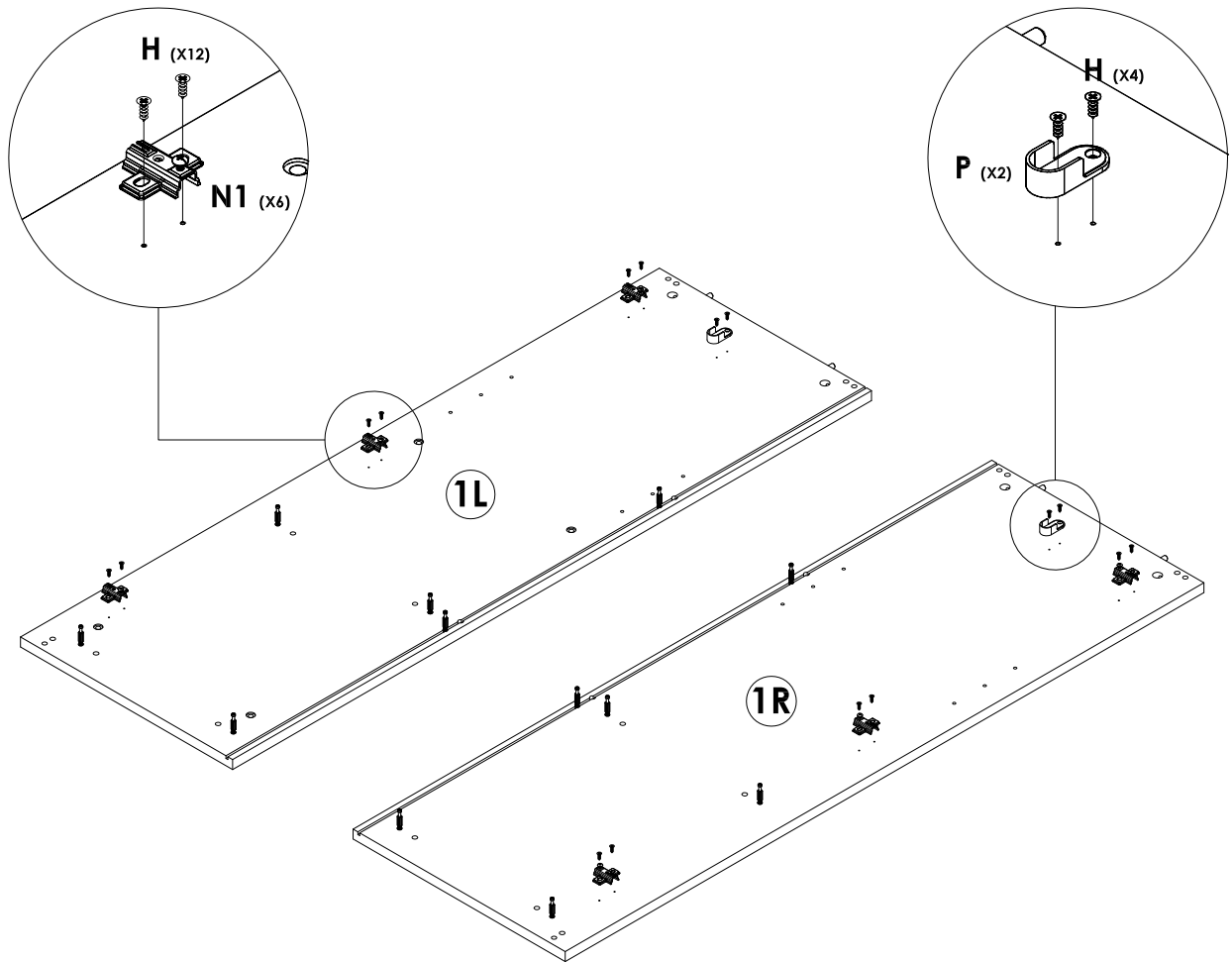
STEP 1



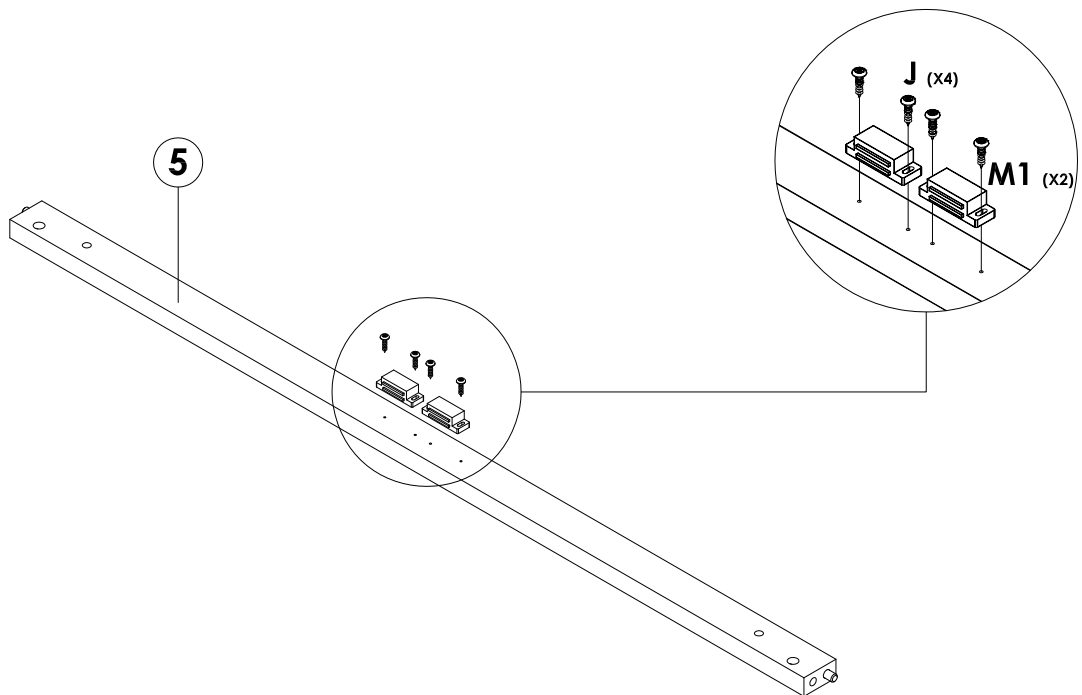
STEP 2



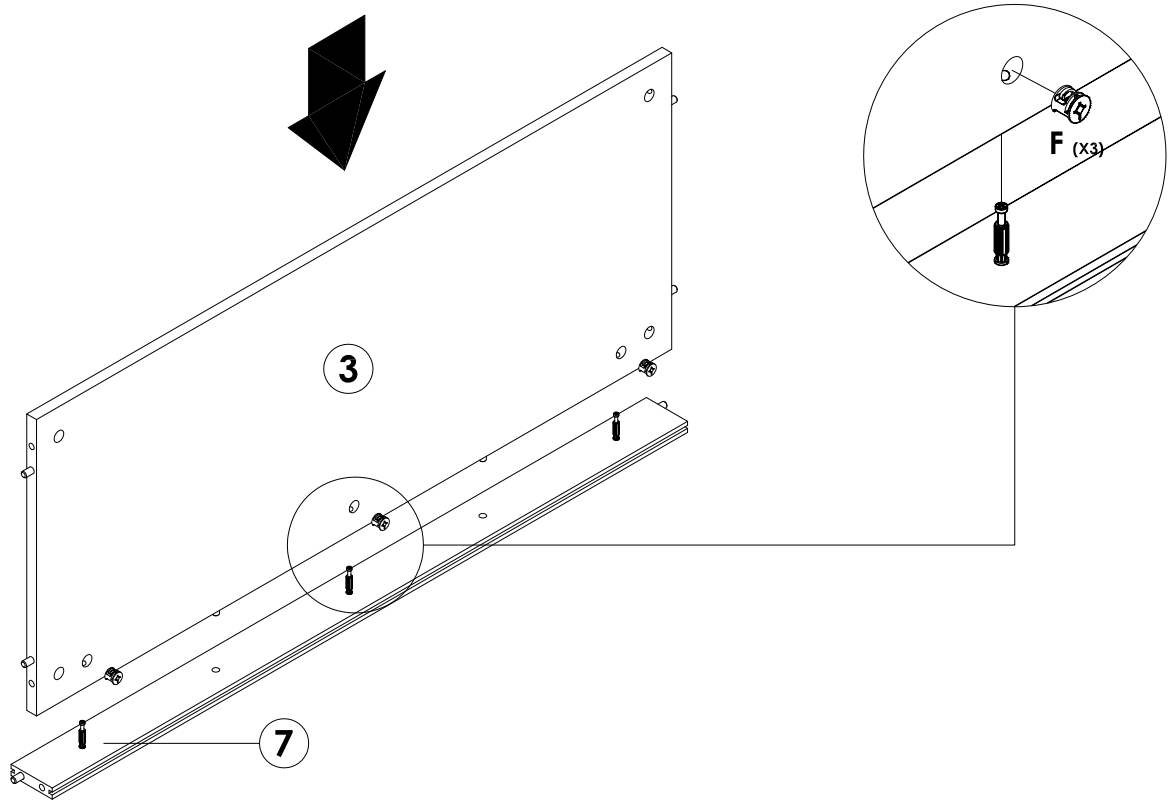
STEP 3



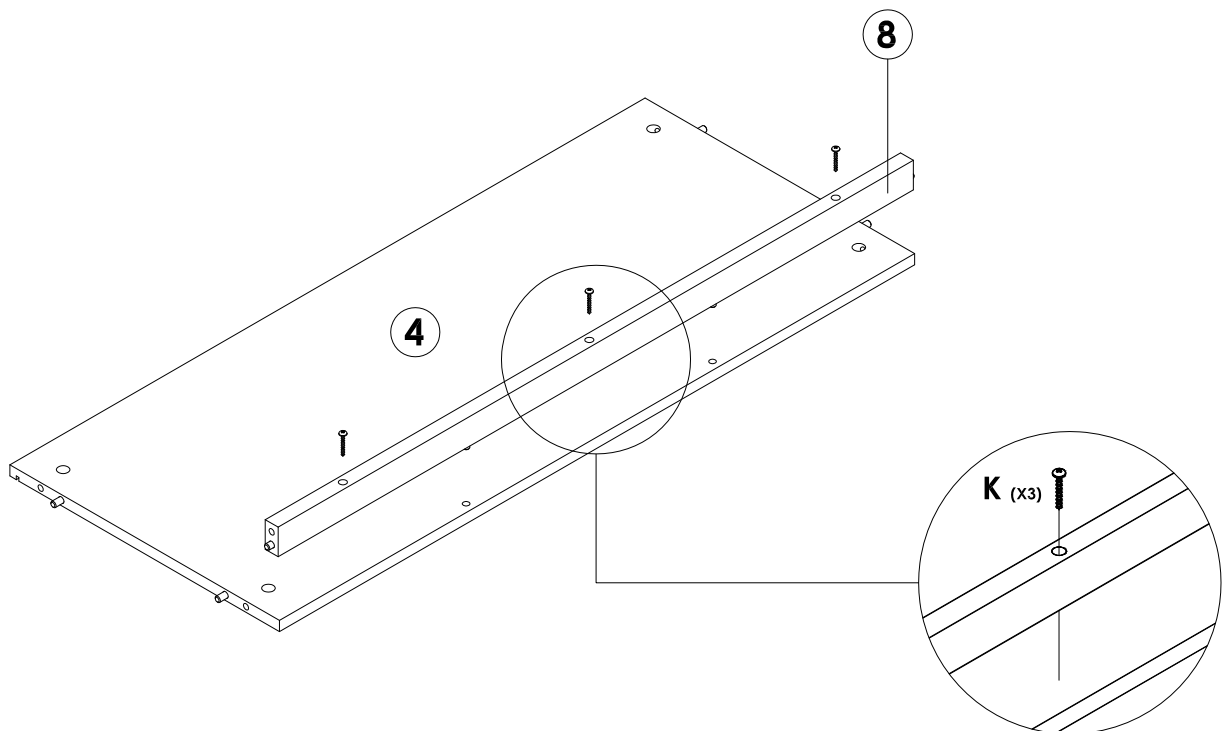
STEP 4



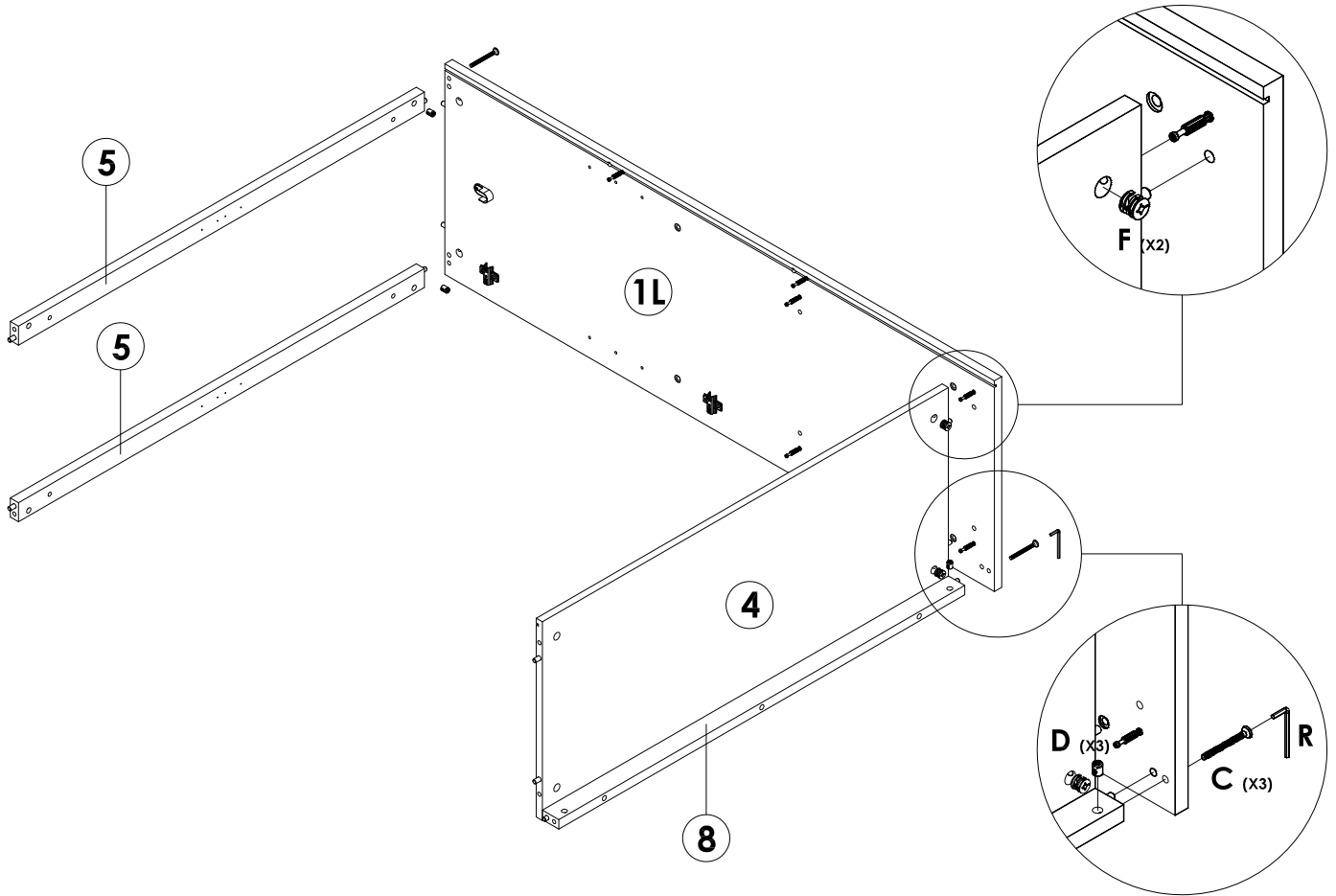
STEP 5



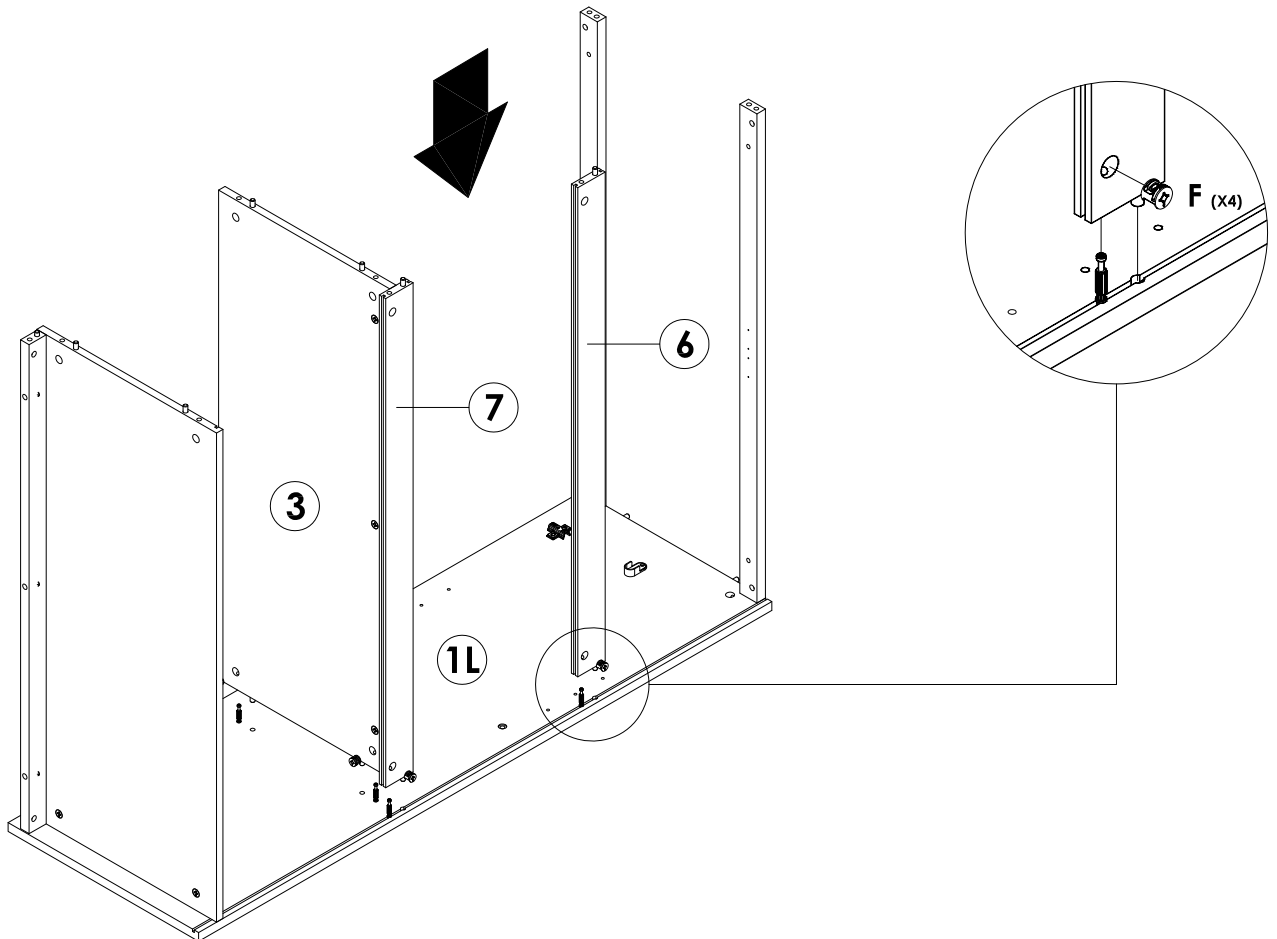
STEP 6



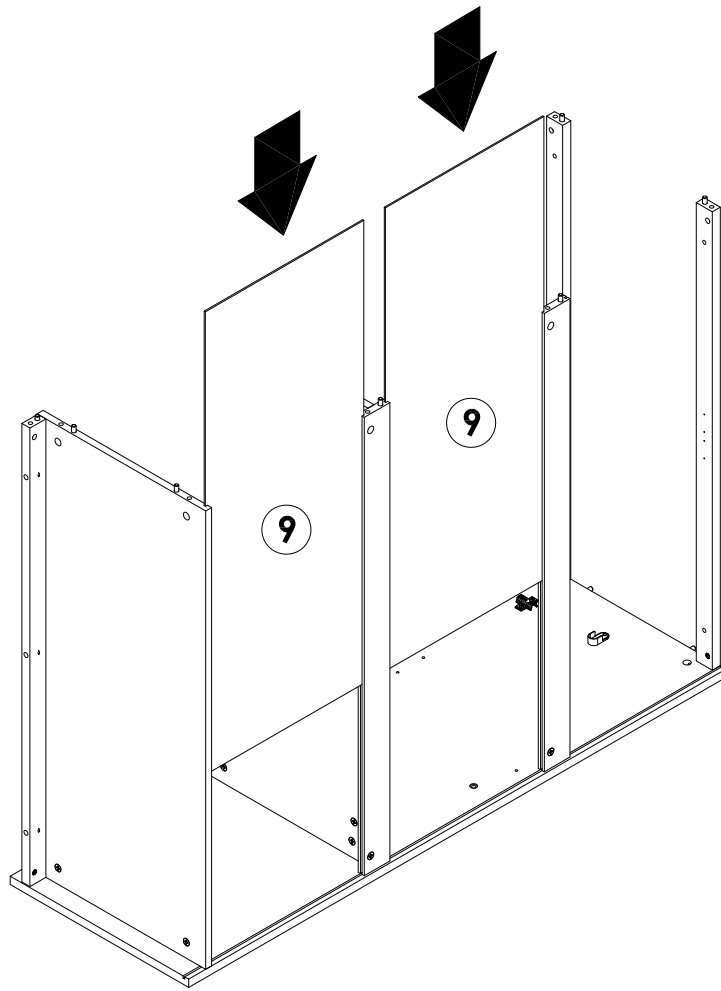
STEP 7



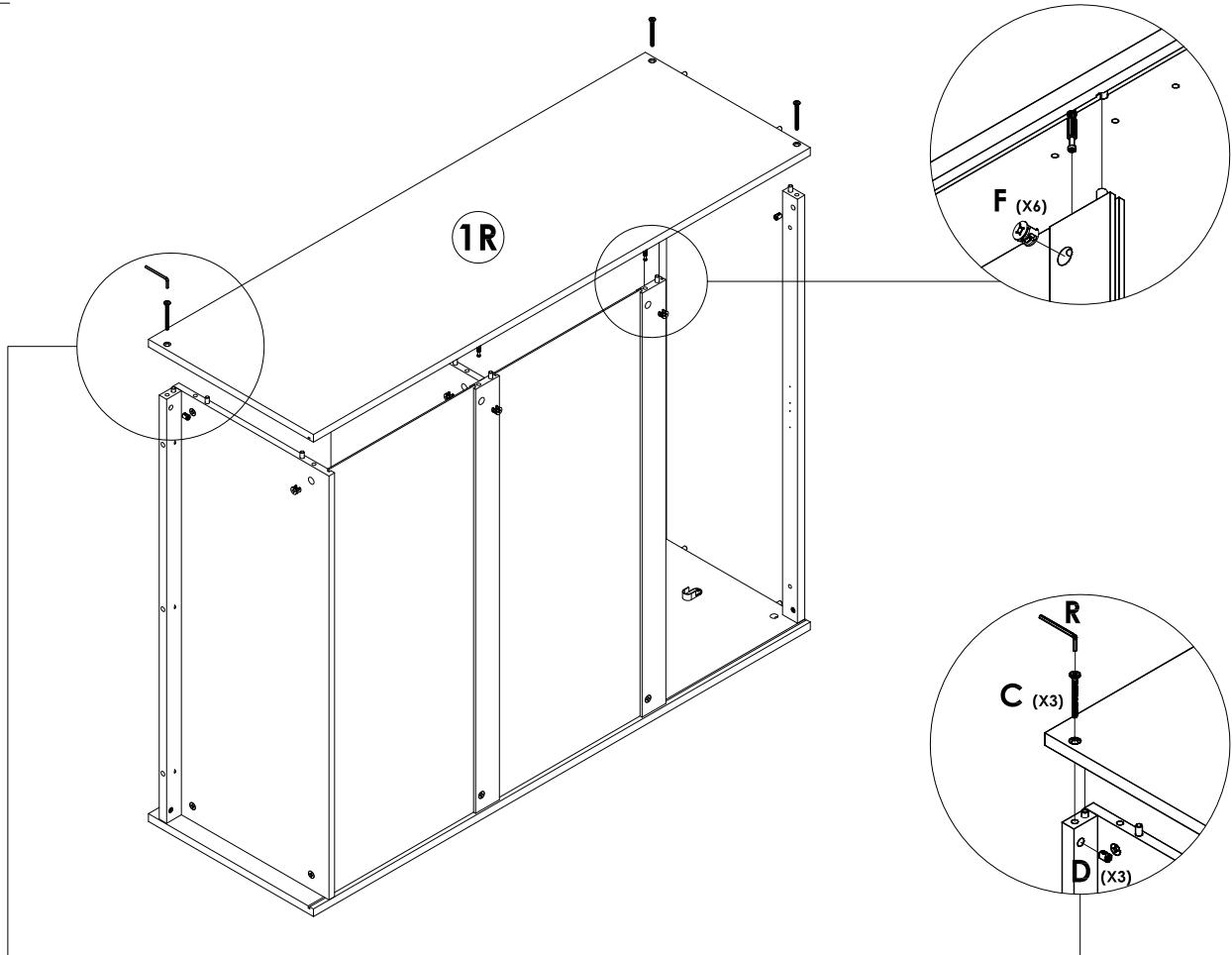
STEP 8



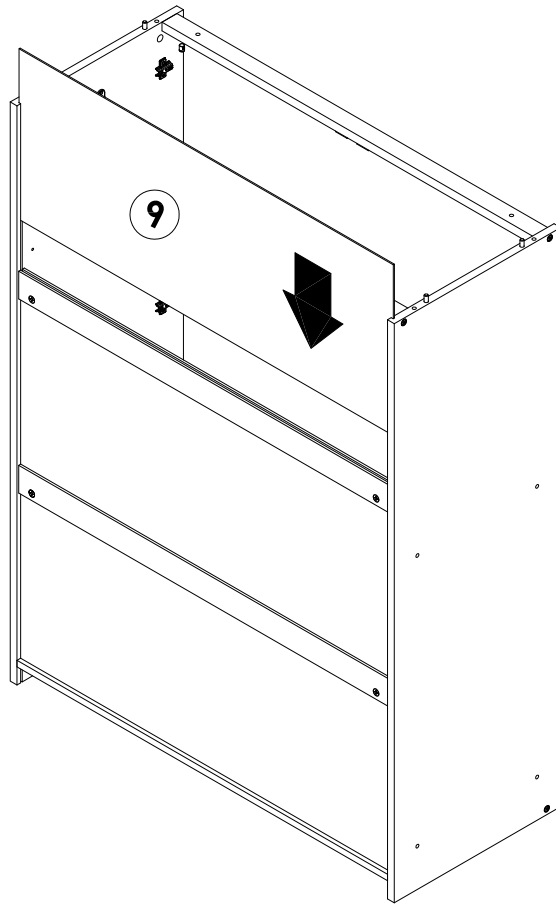
STEP 9



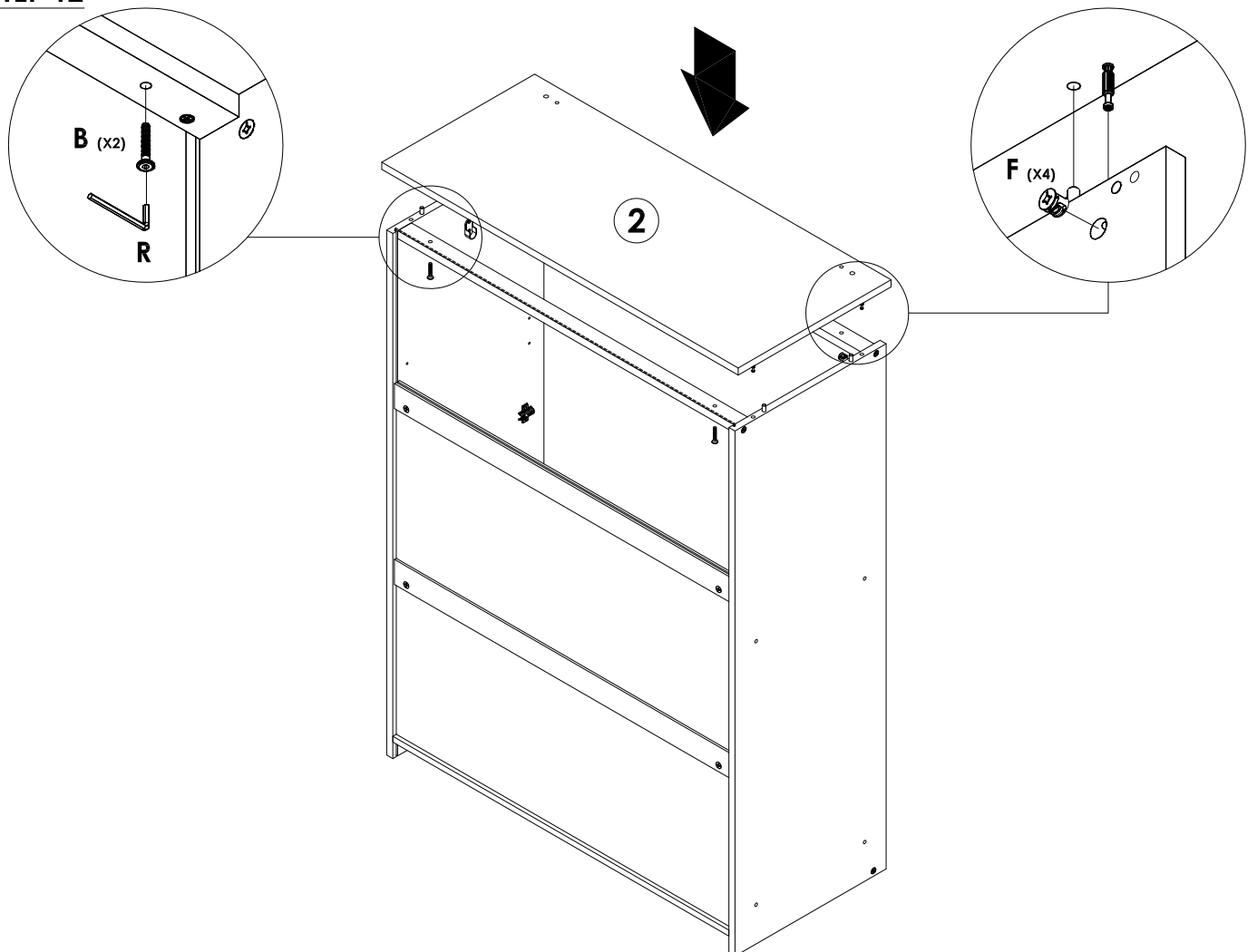
STEP 10



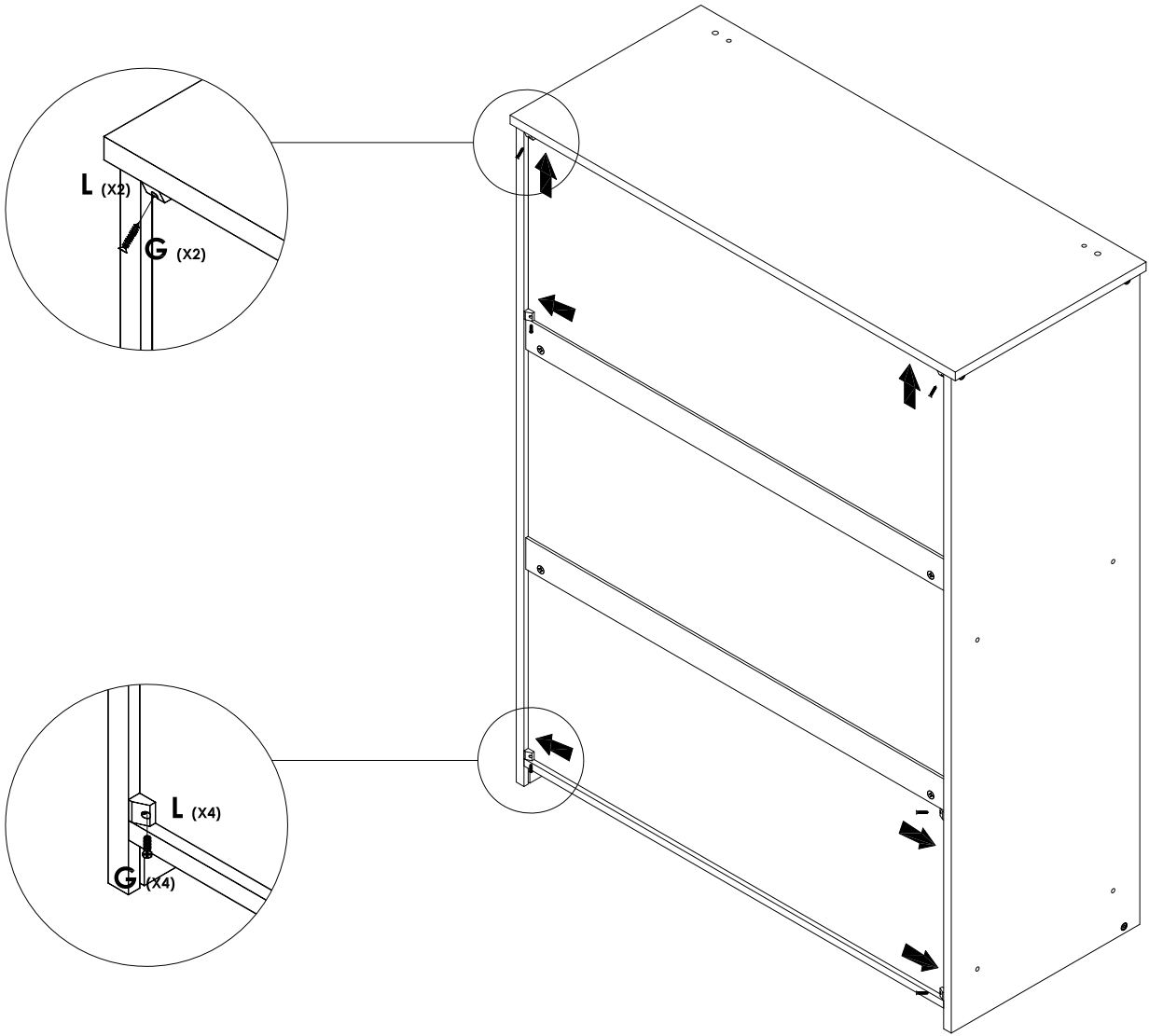
STEP 11



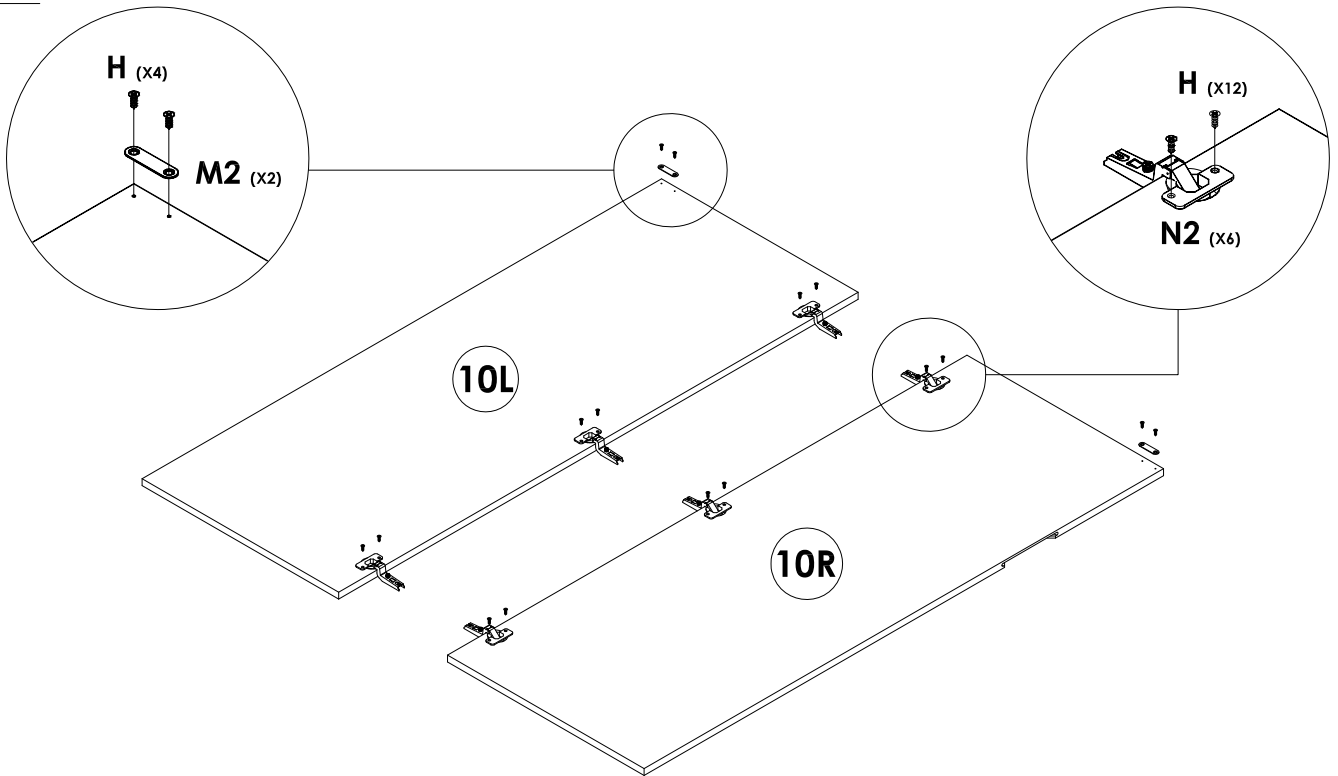
STEP 12



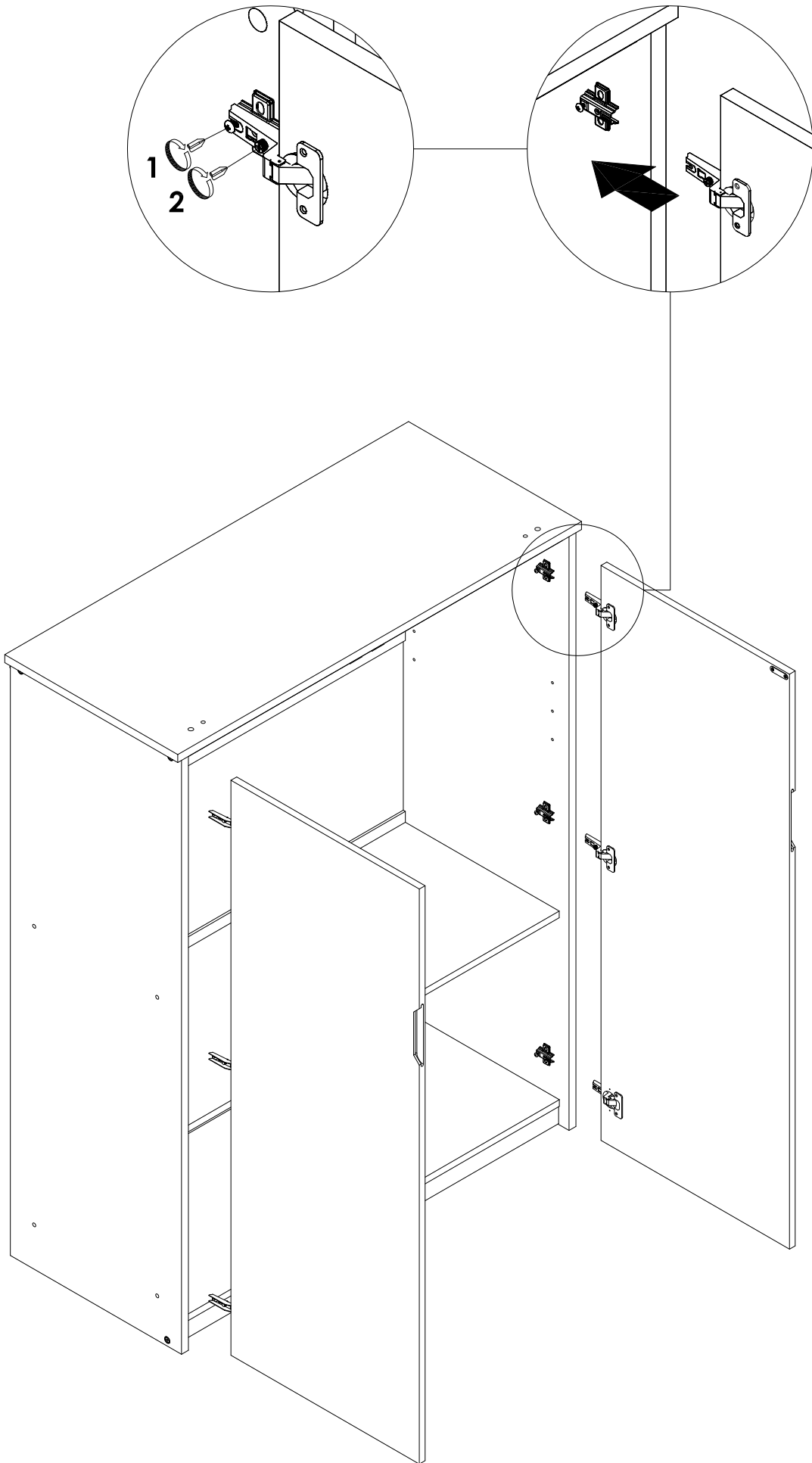
STEP 13



STEP 14



STEP 15



STEP 16

