

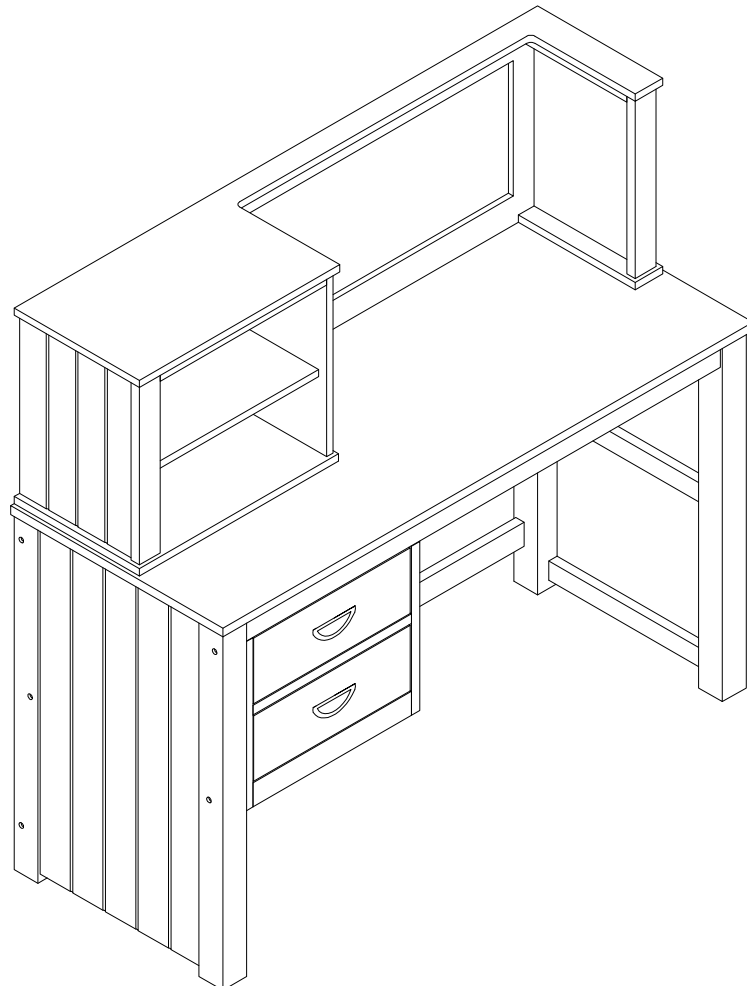
**ACME  
FURNITURE**

## **ASSEMBLY INSTRUCTIONS**

**Item No: #38029 + #38030 (DESK)  
#38031 (HUTCH)**

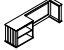


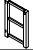


\*\*\* Thank you for purchasing this quality product. Be sure to check all packing materials carefully for small parts which may have come loose inside the carton during shipment. Identify and count all parts and compare with parts list below.

\*\*\* Assemble product on a flat, soft surface such as a carpet or cloth to prevent scratching the finish. Read all instruction and study the drawings carefully before starting the assembly process.


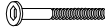





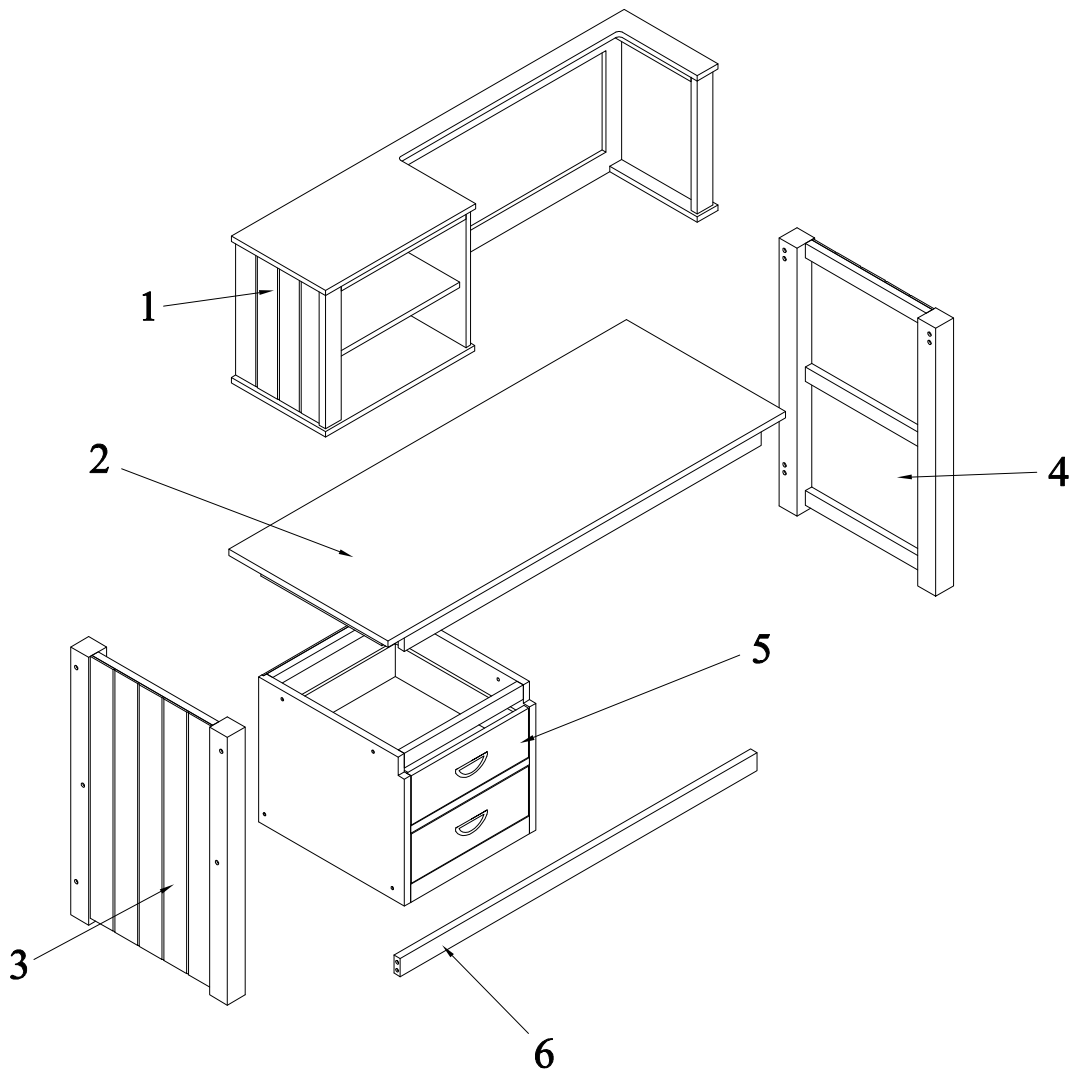
**IMPORTANT:** Do not tighten bolts completely until all bolt are completely lined up and inserted into holes

## PARTS LIST

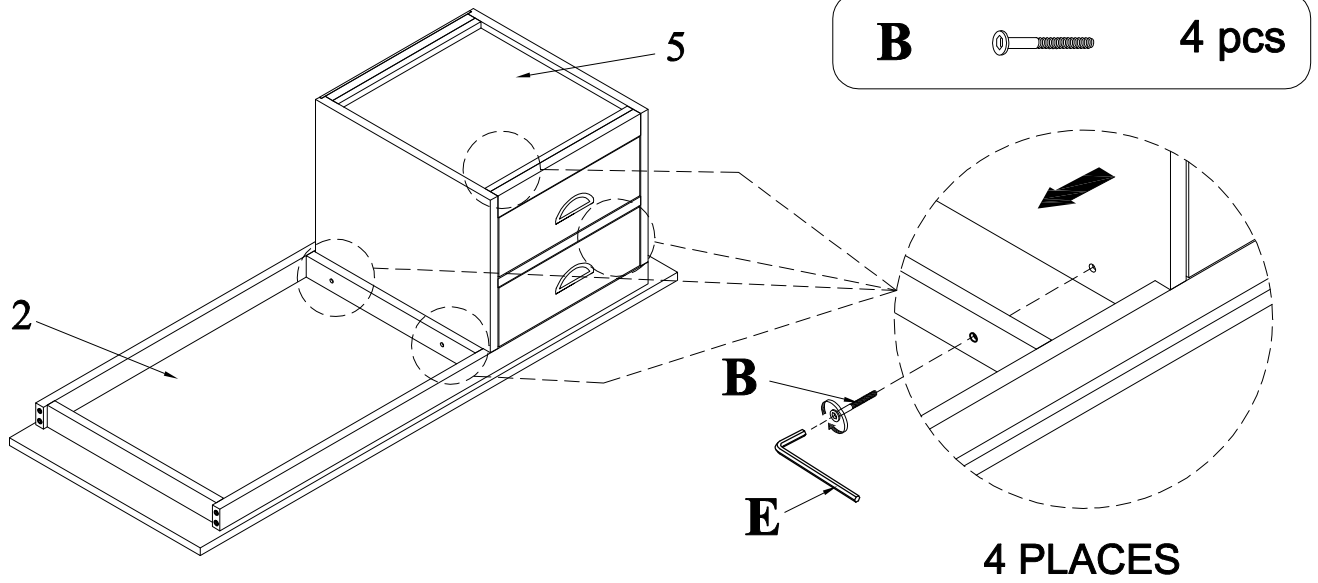
NO.	DRAGRAM	PART NAME	Q'Ty
1		Hutch	1 pc
2		Desk - Top Panel	1 pc
3		Desk - Left Leg Frame	1 pc
4		Desk - Right Leg Frame	1 pc
5		Desk - Case Wood 2 Drawer	1pc
6		Desk - Back Bottom Rail	1pc

## HARDWARE LIST

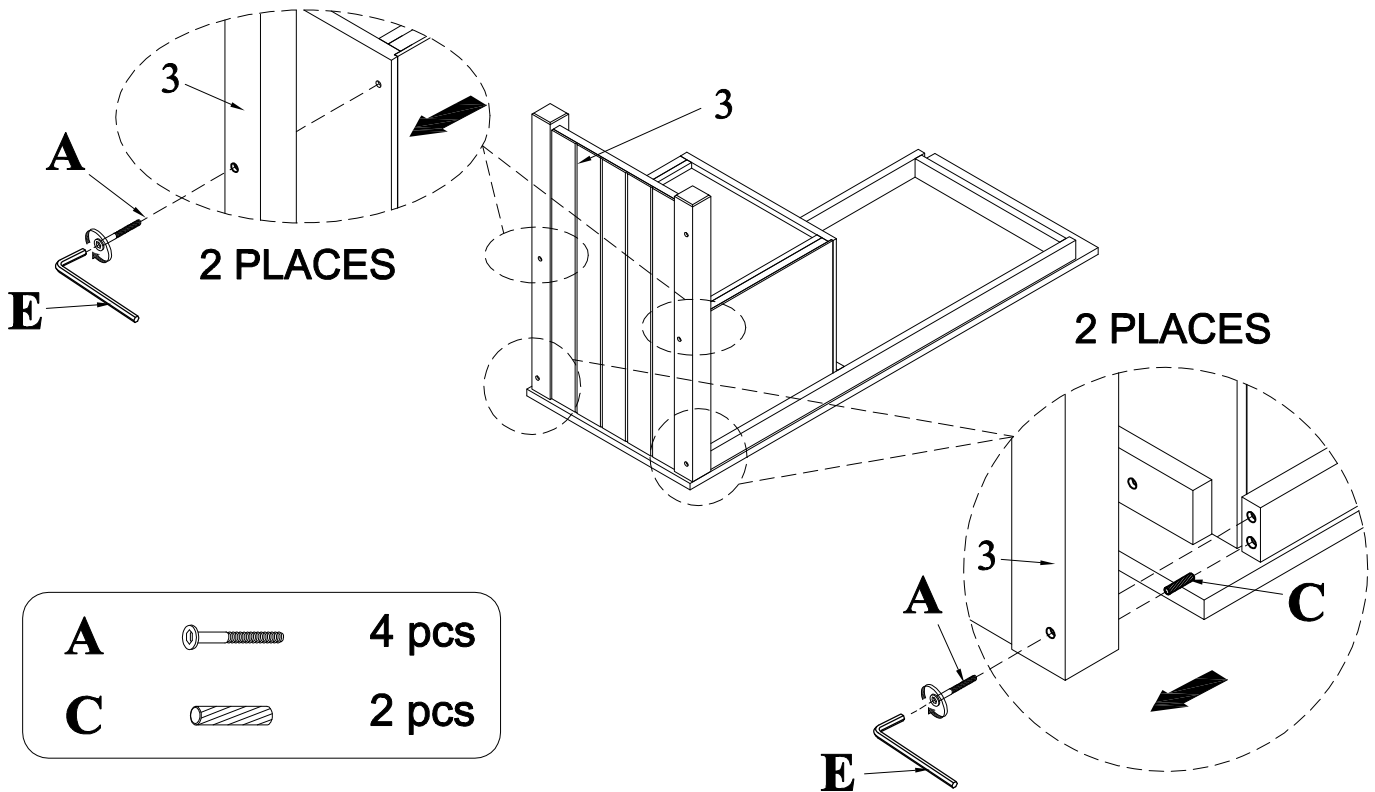
NO.	DRAGRAM	PART NAME	Q'Ty
A		Long Bolt 6.3 x 75 (mm)	8 pcs
B		Short Bolt 6.3 x 35 (mm)	4 pcs
C		Wood Dowel 10 x 40 (mm)	6 pcs
D		Screw: 4 * 20 (mm)	6 pcs
E		Allen Key (M4)	1 pc



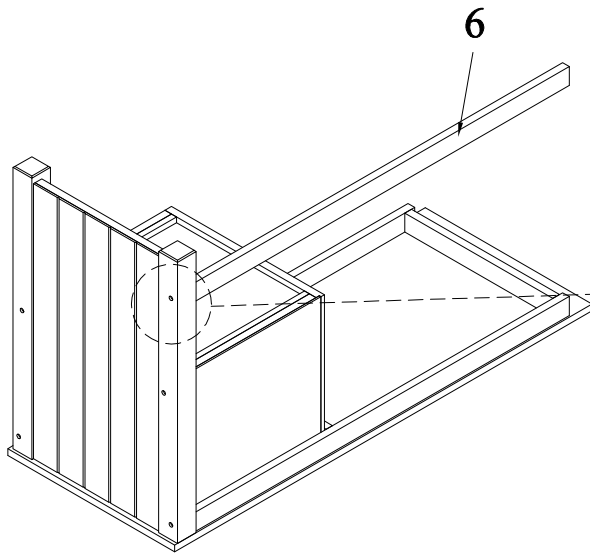
# STEP 1: DESK ASSEMBLY





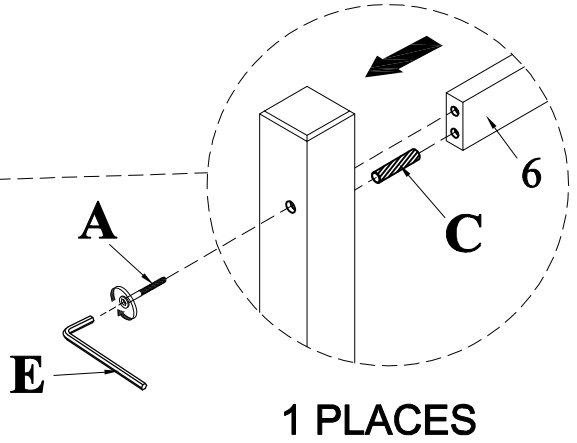
# STEP 2: DESK ASSEMBLY



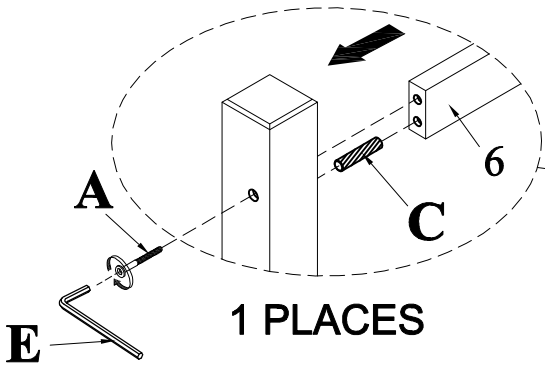
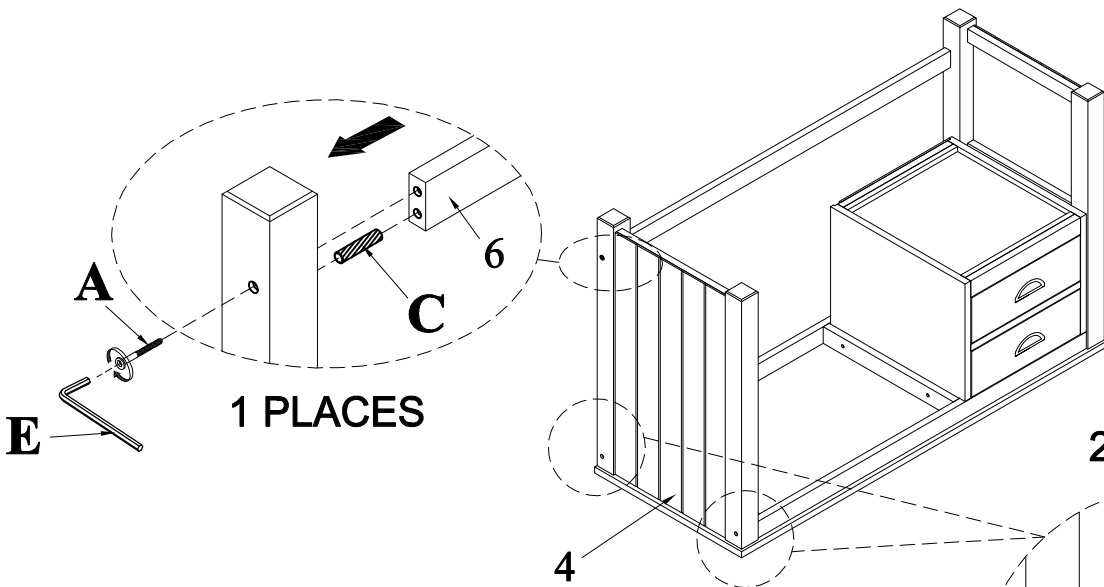
### STEP 3: DESK ASSEMBLY



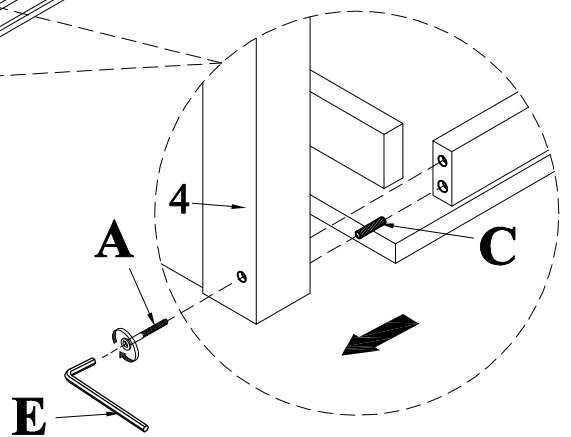
<b>A</b>		1 pc
<b>C</b>		1 pc

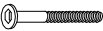



### STEP 4: DESK ASSEMBLY

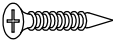


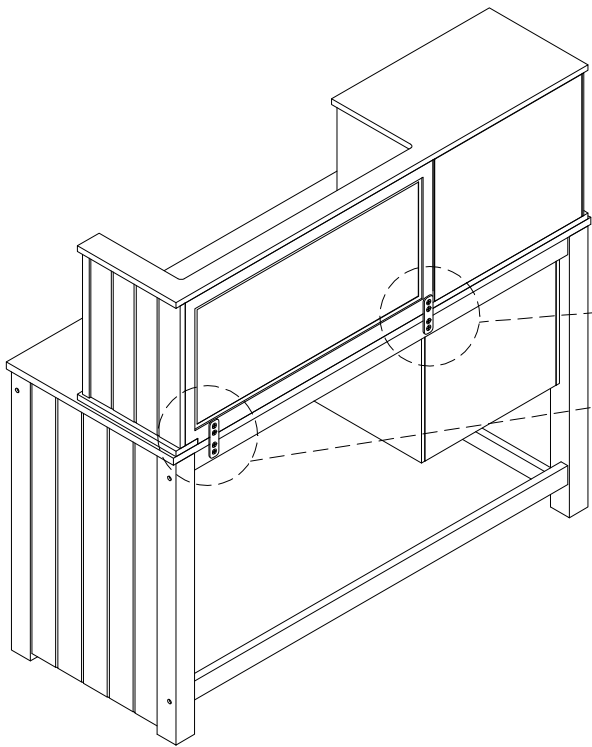
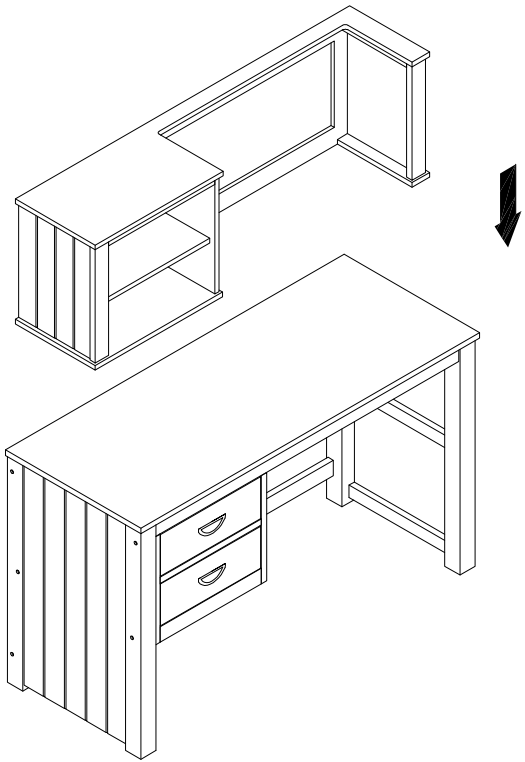
**2 PLACES**



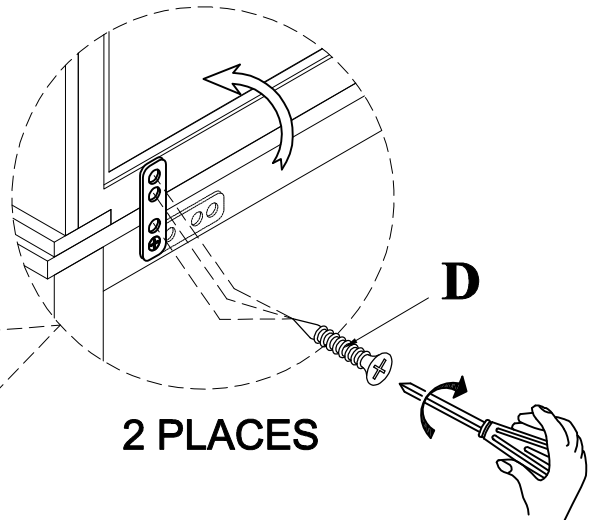
<b>A</b>		2 pcs
<b>C</b>		3 pcs

# STEP 5: DESK & HUTCH ASSEMBLY

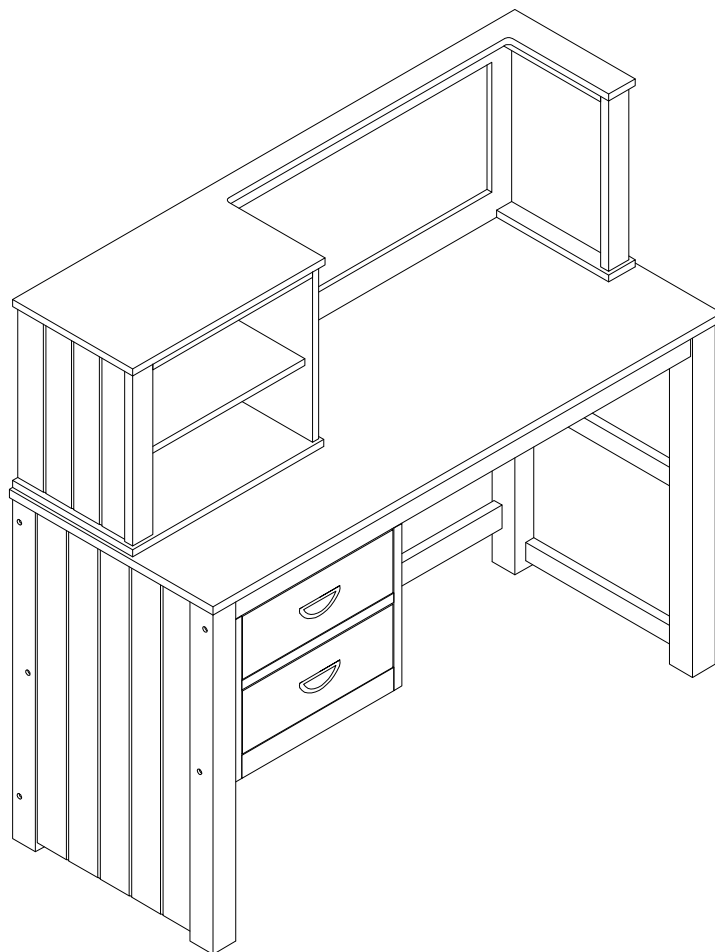
**D**  **6 pcs**



**Back view**



**STEP 6:**



**ASSEMBLY IS COMPLETED**