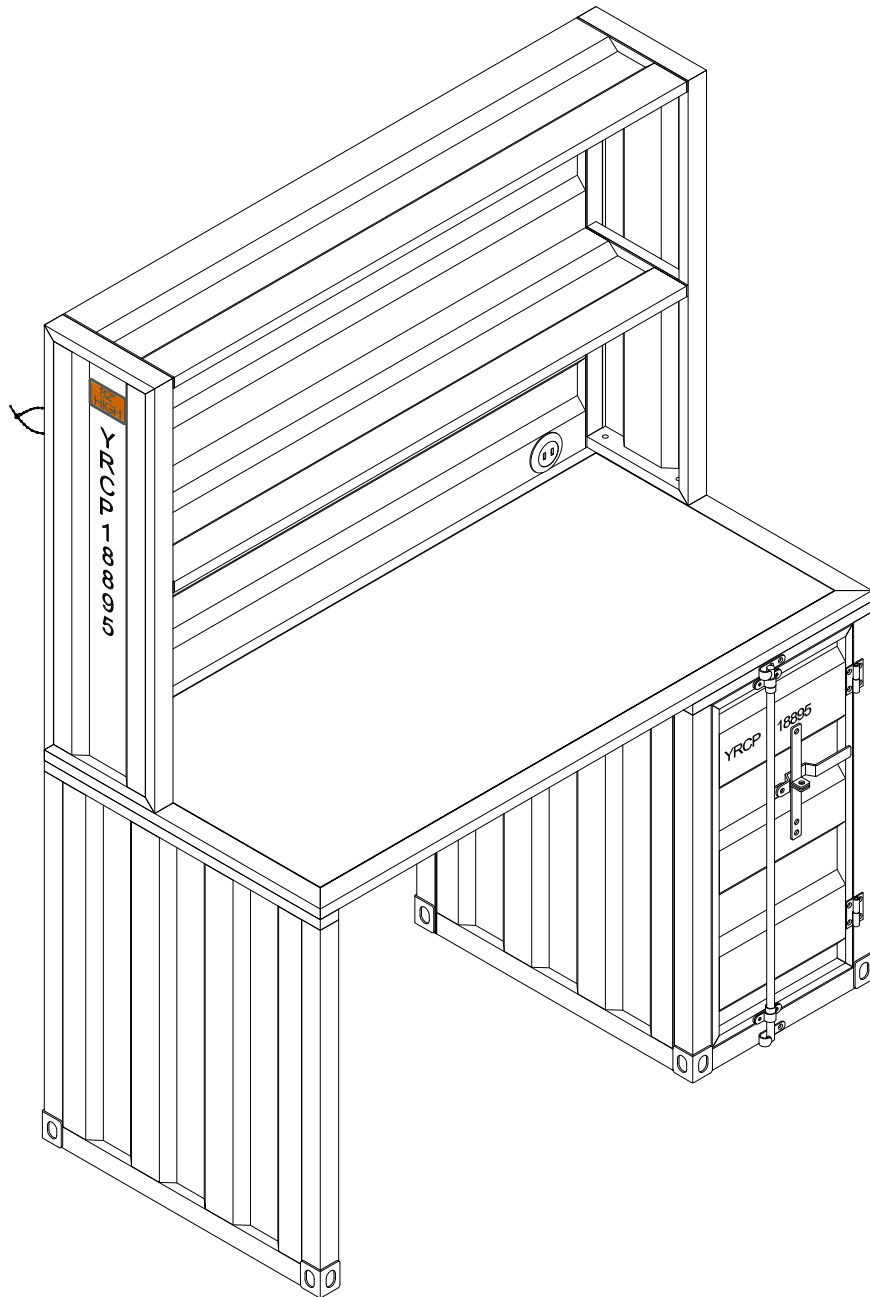


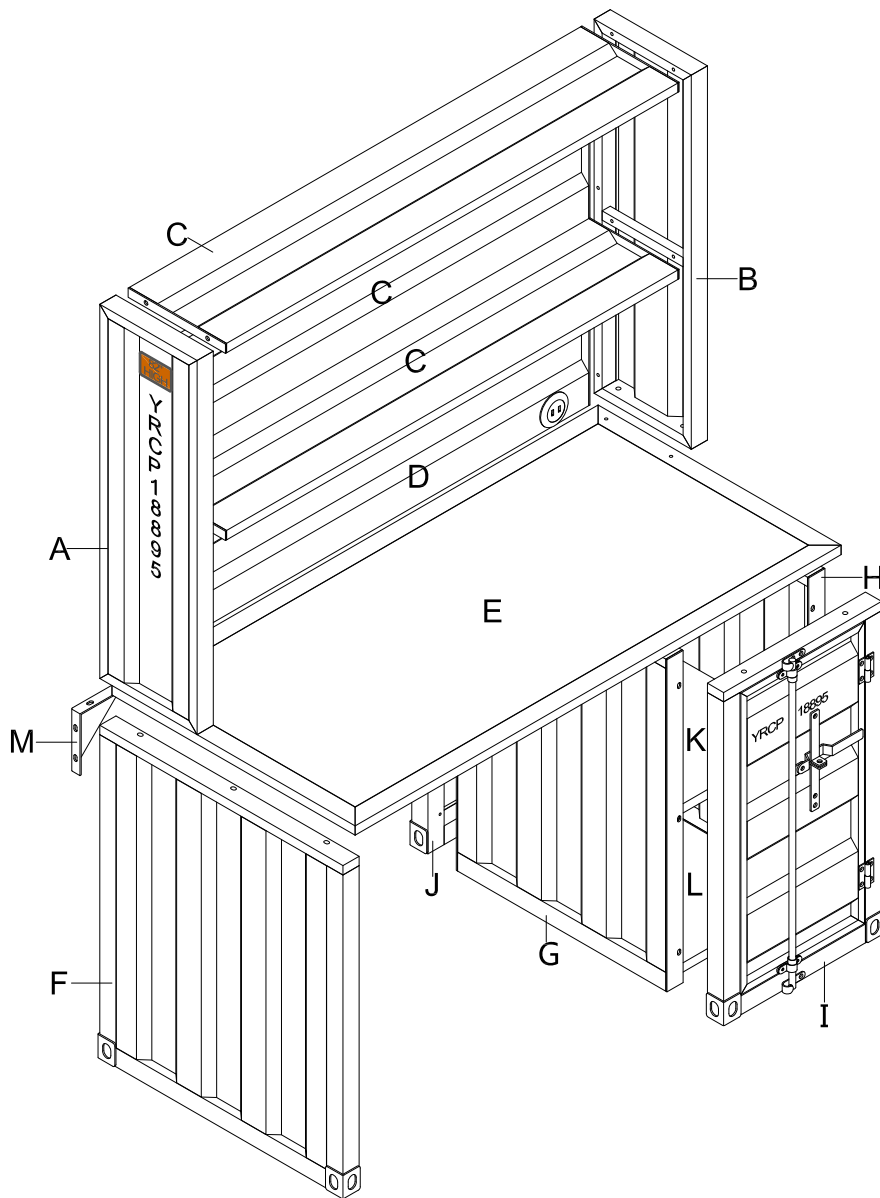
ASSEMBLY INSTRUCTIONS

ITEM NO.:37897/37887/37917/37097


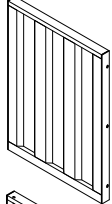
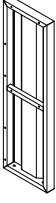
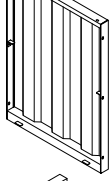
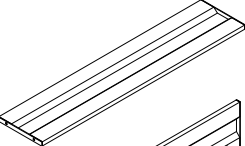

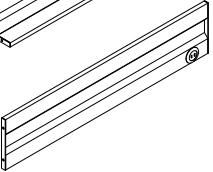
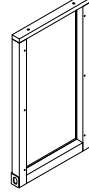
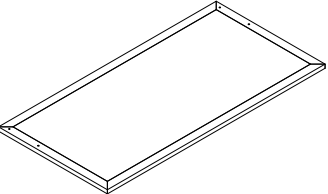
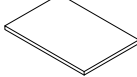
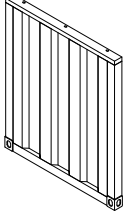
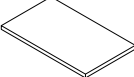



Do not tighten screws until completely assembled.


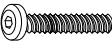




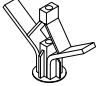

PARTS IDENTIFICATION

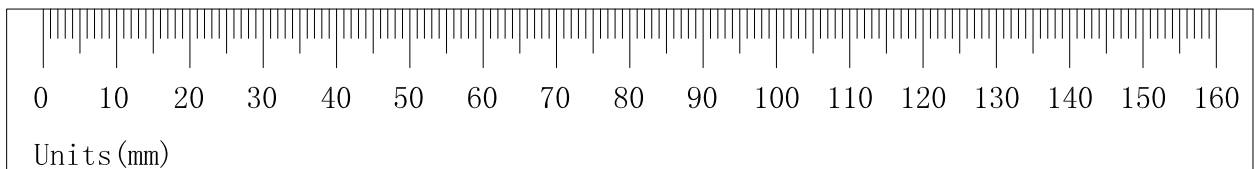


PARTS IDENTIFICATION

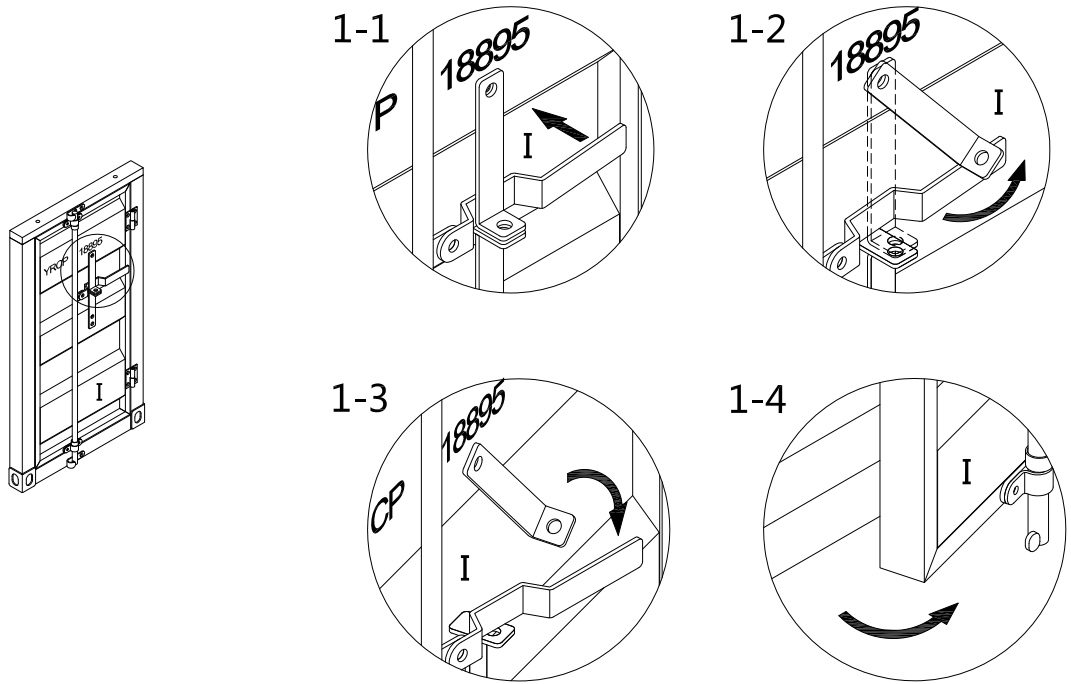
A		Left 1pc	G		1pc
B		Right 1pc	H		1pc
C		3pcs	I		1pc
D		1pc	J		1pc
E		1pc	K		Middle 1pc
F		1pc	L		Bottom 1pc
			M		1pc

HARDWARE LIST

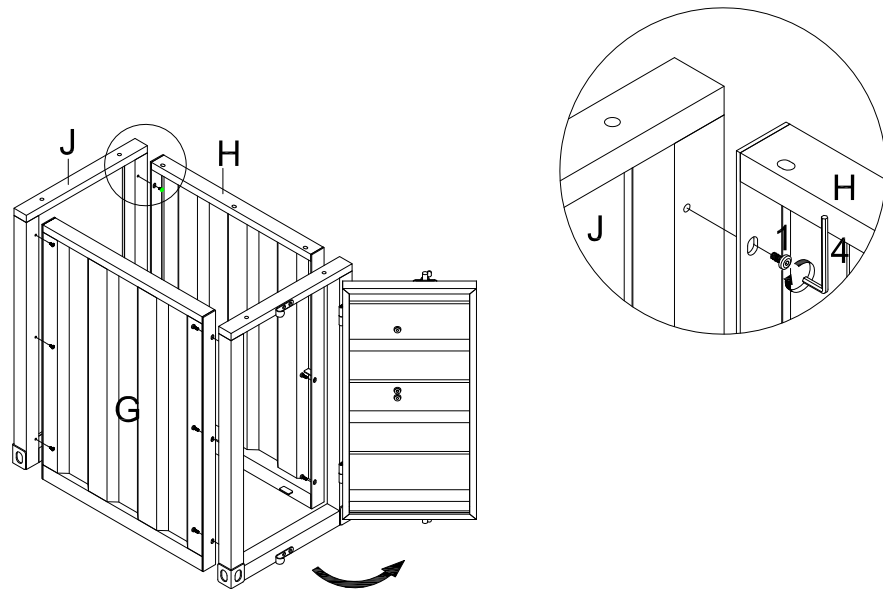
1  M6x15 32pcs	2  M6x35 12pcs	3  M6x35 2pcs
4  4x4 1pc	5  M4x37 1pc	6  2pcs
7  1pc	8  1pc	




STEP 1.



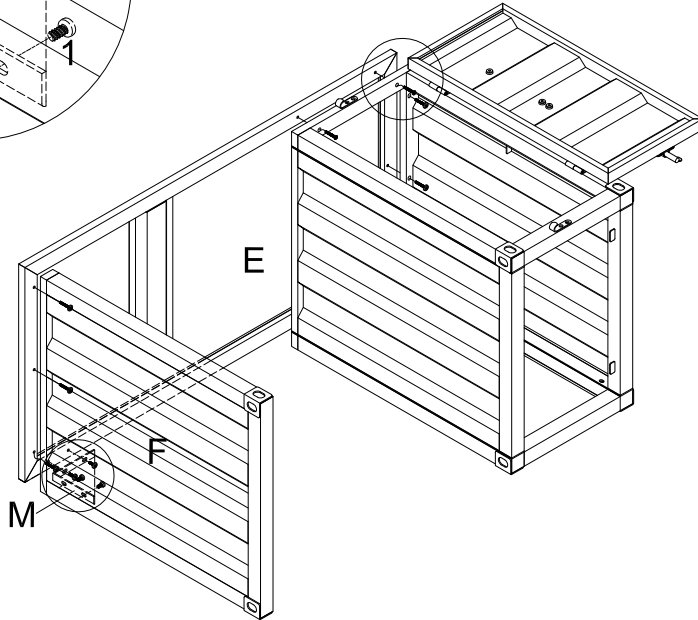
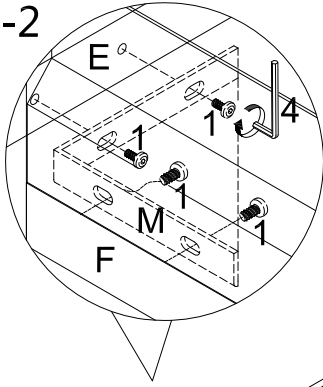
STEP 2.



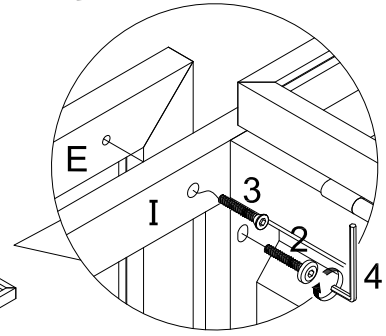
1		12pcs
M6x15		




STEP 3.

3-2

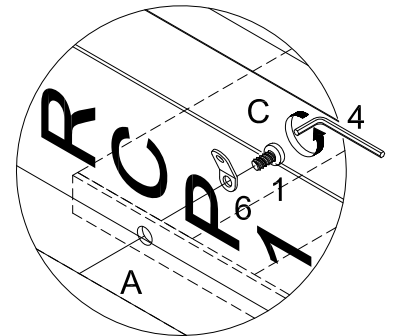
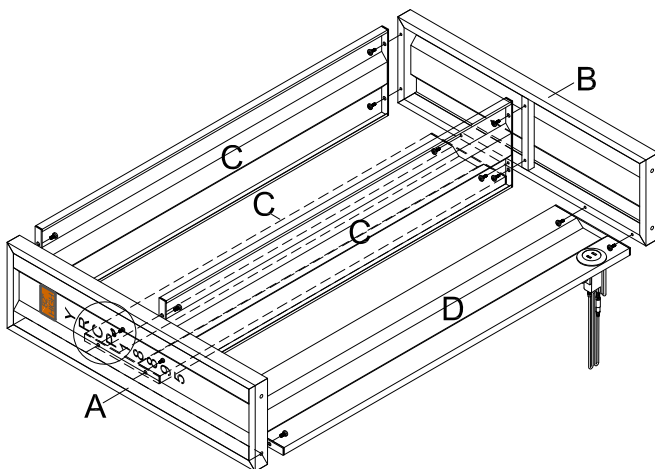




3-1



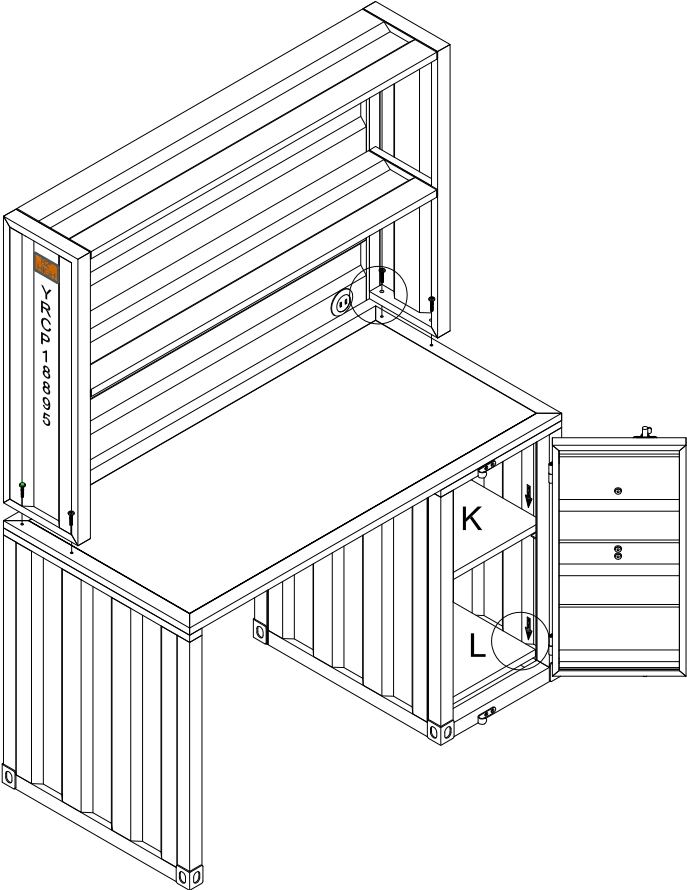
1		4pcs
M6x15		
2		8pcs
M6x35		
3		2pcs
M6x35		

STEP 4.

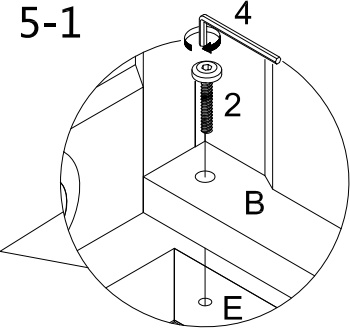


1		16pcs
M6x15		
6		1pc

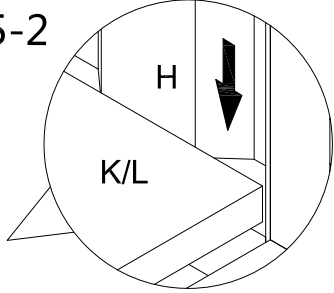
STEP 5.




5-1

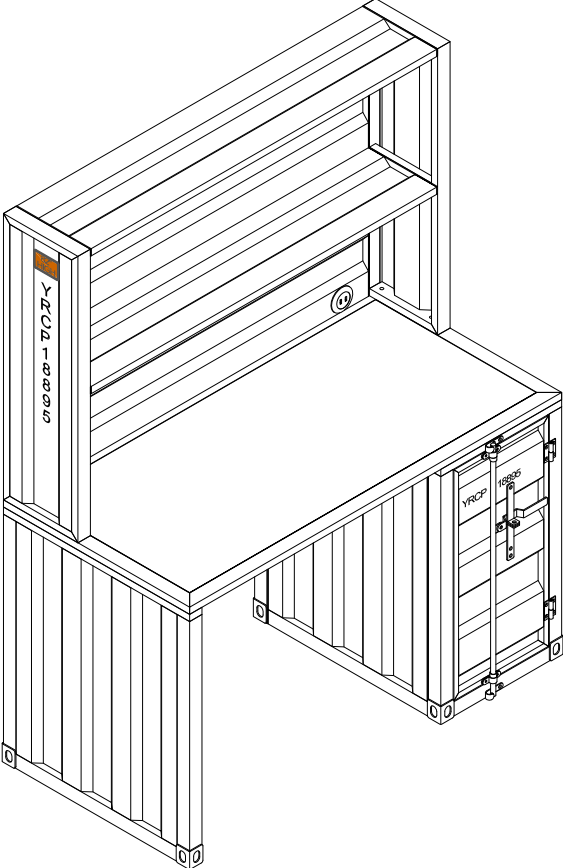


5-2

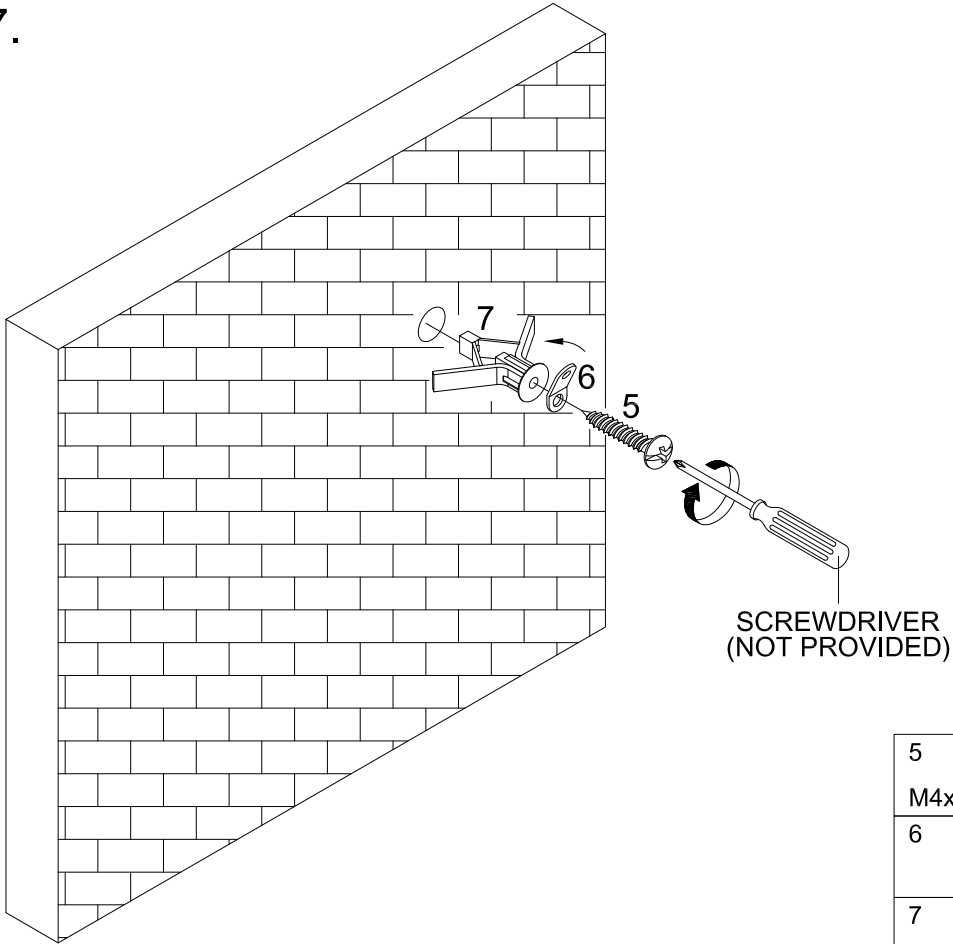





2		4pcs
M6x35		

STEP 6.

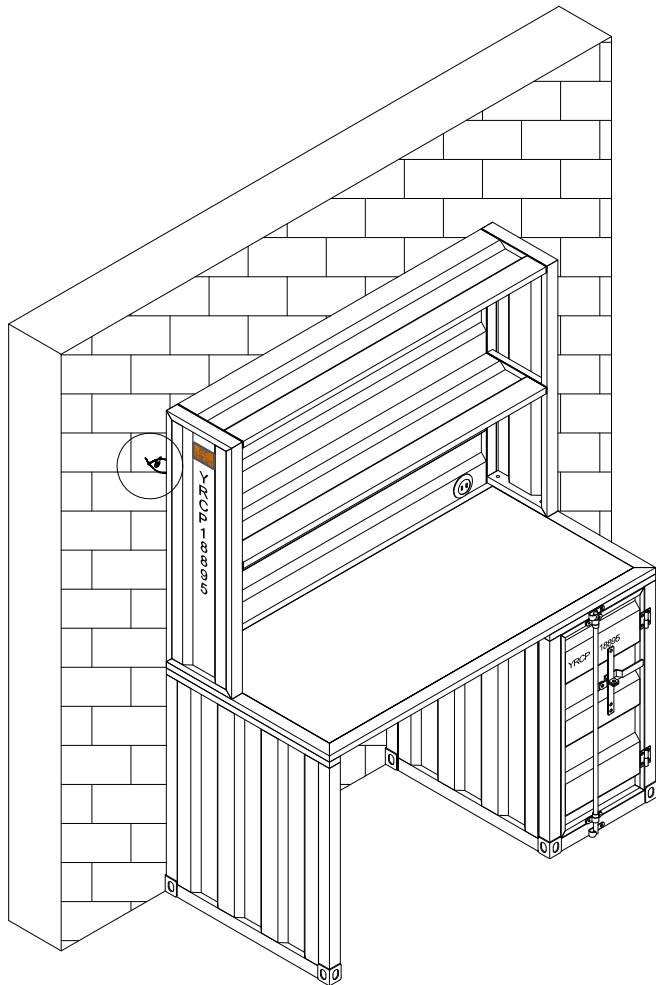


STEP 7.

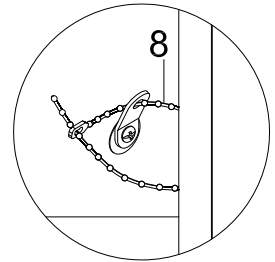


5		1pc
6		1pc
7		1pc

STEP 8.



To Prevent Tip over
Product Must Be
Attached To Wall



8		1pc
---	---	-----