

# ACME

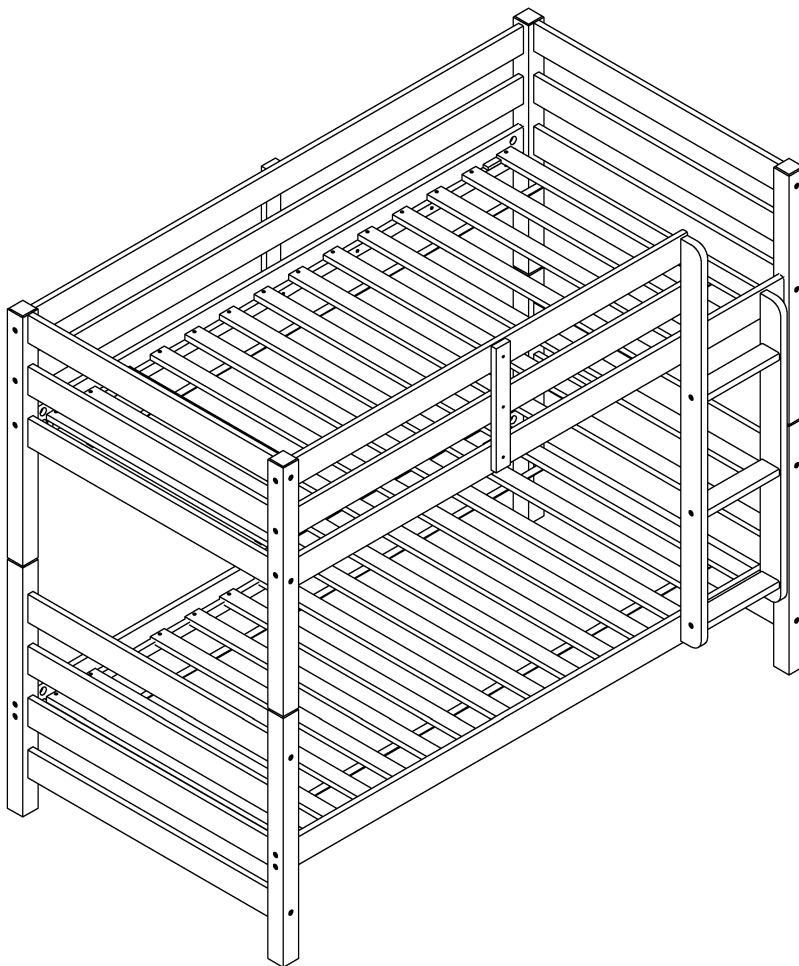
FURNITURE

## ASSEMBLY INSTRUCTIONS

Item No: #37775 & #37785
















\*\*\* Thank you for purchasing this quality product. Be sure to check all packing materials carefully for small parts which may have come loose inside the carton during shipment. Identify and count all parts and compare with parts list below.

\*\*\* Assemble product on a flat, soft surface such as a carpet or cloth to prevent scratching the finish. Read all instruction and study the drawings carefully before starting the assembly process.



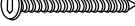
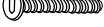

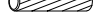




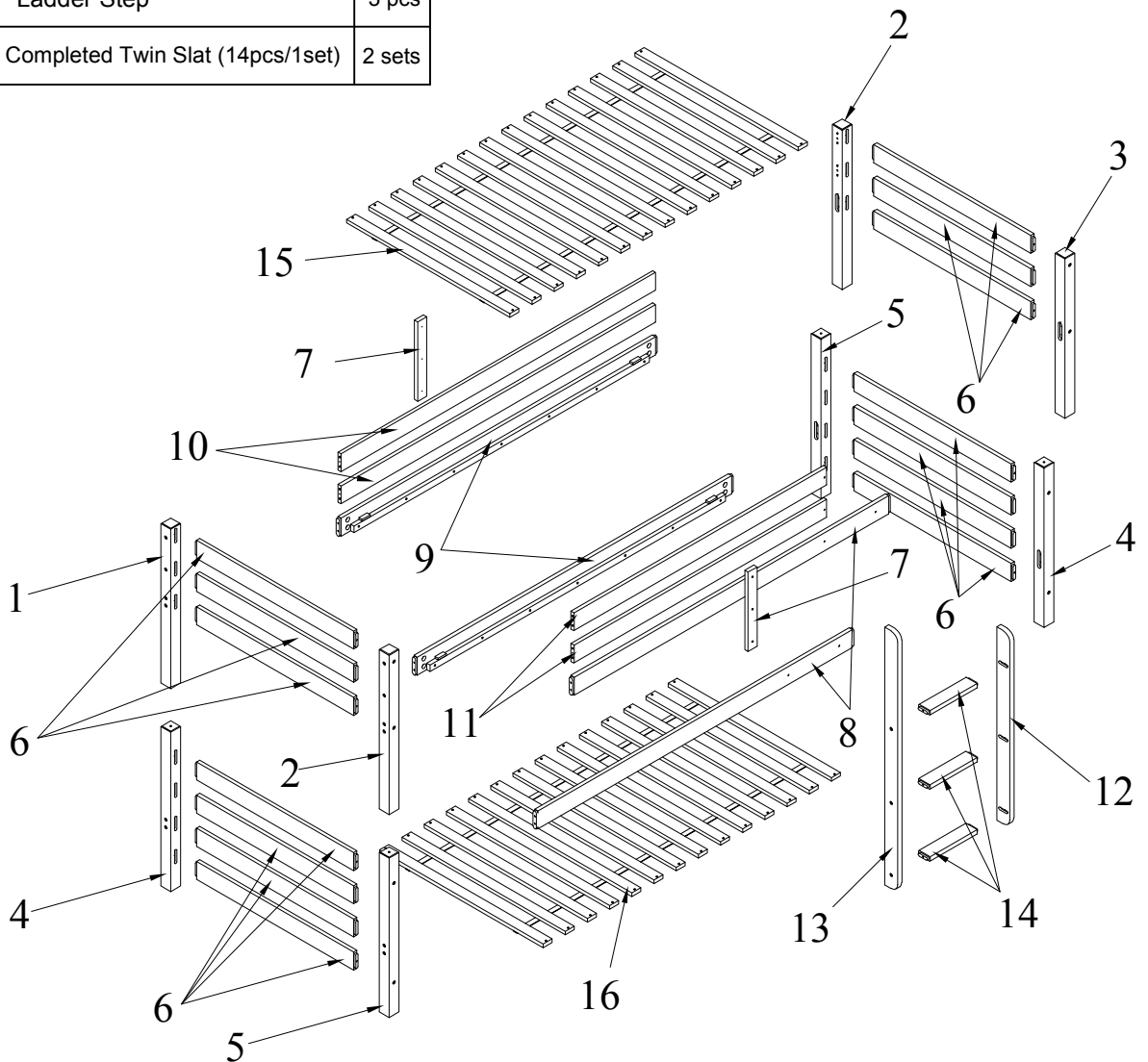
**IMPORTANT:** Do not tighten bolts completely until all bolts are completely lined up and inserted into holes

## PARTS LIST






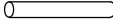



NO.	DIAGRAM	PART NAME	Q'Ty
1		Support Legs 1	1 pc
2		Support Legs 2	2 pcs
3		Support Legs 3	1 pc
4		Support Legs 4	2 pcs
5		Support Legs 5	2 pcs
6		Side	14 pcs
7		Guardrail Support	2 pcs
8		Lower and Upper Front Rail	2 pcs
9		Lower and Upper Back Rail	2 pcs
10		Long Guardrail (Back)	2 pcs
11		Short Guardrail (Front)	2 pcs
12		Ladder Rail (Right Side)	1 pc
13		Ladder Rail (Left Side)	1 pc
14		Ladder Step	3 pcs
15		Completed Twin Slat (14pcs/1set)	2 sets

## HARDWARE LIST

NO.	DIAGRAM	PART NAME	Q'Ty
A		Bolt: 6.3 * 100 (mm) Half Round Nut	16 sets
B		Short Bolt 6.3 x 35 (mm)	6 pcs
C		Long Bolt 7 x 100 (mm)	22 pcs
D		Screw Bolt 7 x 50 (mm)	6 pcs
E		Metal Dowel 9 x 9 x 90 (mm)	4 pcs
F		Wood Dowel 10 x 40 (mm)	12 pcs
G		Screw: 4 * 30 (mm)	62 pcs
H		Allen Key (M4)	1 pc



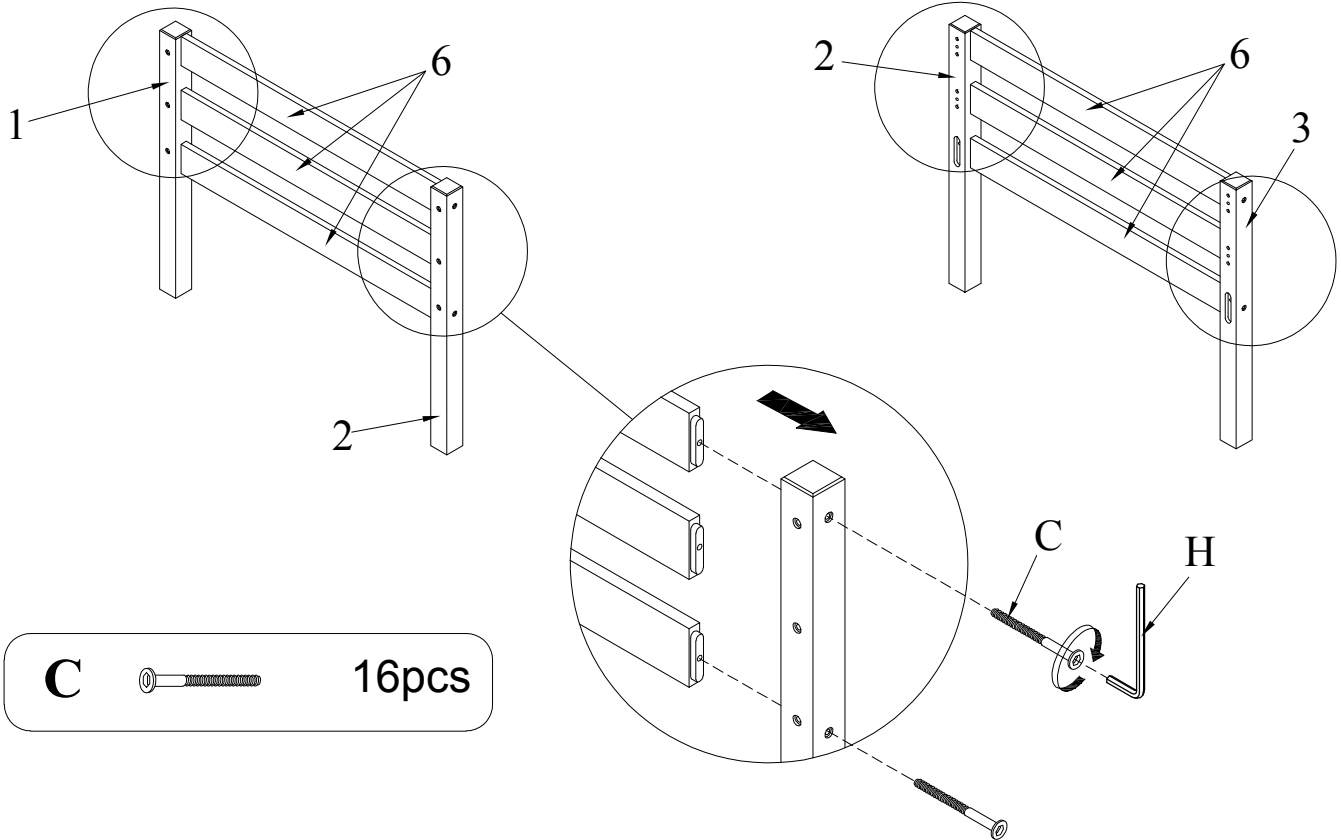
# #37775 & 37785 is packed in 2 cases


Carton	Disignation	Part	Hardware
<b>Item:</b> <b>#37775HF</b> <b>#37785HF</b>	Support Legs 1 x 1pc	#1	 <b>A</b> Bolt: 6.3 * 100 (mm)  Half Round Nut <b>B</b>  Short Bolt 6.3 x 35 (mm) <b>C</b>  Long Bolt 7 x 100 (mm) <b>D</b>  Screw Bolt 7 x 50 (mm) <b>E</b>  Metal Dowel 9 x 9 x 90 (mm) <b>F</b>  Wood Dowel 10 x 40 (mm) <b>G</b>  Screw: 4 * 30 (mm) <b>H</b>  Allen Key (M4)
	Support Legs 2 x 2pcs	#2	
	Support Legs 3 x 1pc	#3	
	Support Legs 4 x 2pcs	#4	
	Support Legs 5 x 2pcs	#5	
	Side x 14pcs	#6	
	Completed Twin Slat (14pcs/1set) x 2 sets	#15	
<b>Item:</b> <b>#37776RL</b> <b>#37786RL</b>	Guardrail Support x 2pcs	#7	
	Lower and Upper Front Rail x 2pcs	#8	
	Lower and Upper Back Rail x 2pcs	#9	
	Long Guardrail (Back) x 2pcs	#10	
	Short Guardrail (Front) x 2pcs	#11	
	Ladder Rail (Right Side) x 1pc	#12	
	Ladder Rail (Left Side) x 1pc	#13	
	Ladder Step x 3pcs	#14	

**STEP 1: UPPER & LOWER HEADBOARD (Left + Right) ASSEMBLY**

**UPPER HEADBOARD  
LEFT**

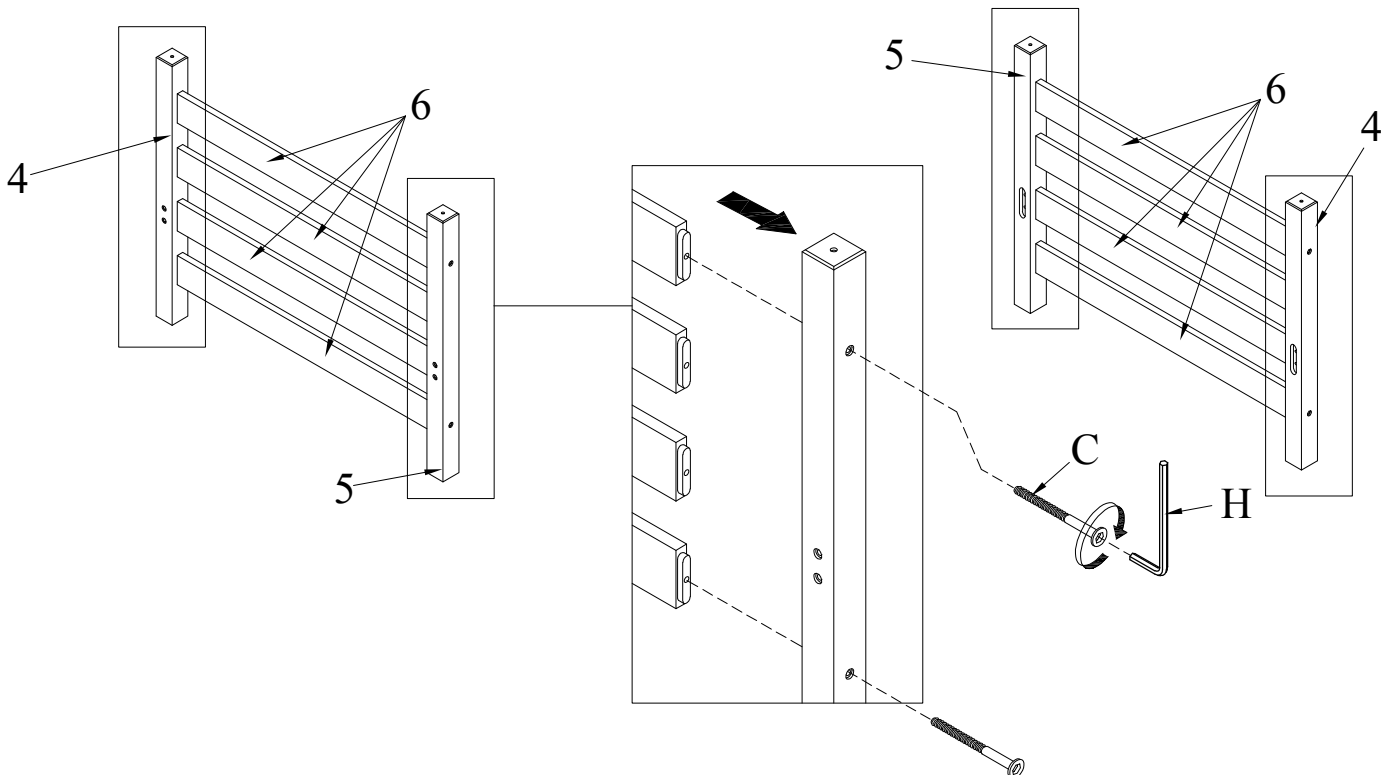
**UPPER HEADBOARD  
RIGHT**



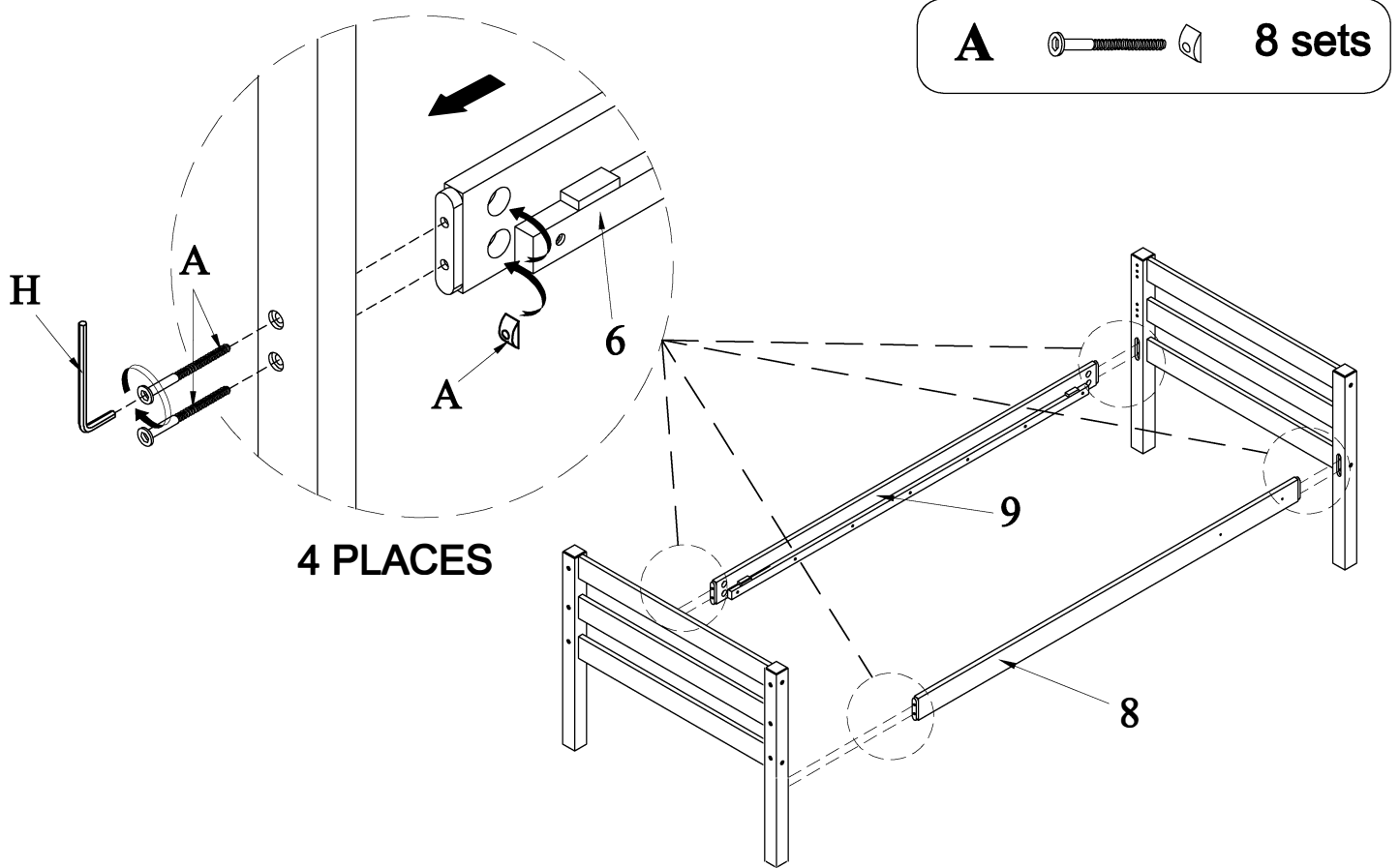
**C**  **16pcs**

**LOWER HEADBOARD  
LEFT**

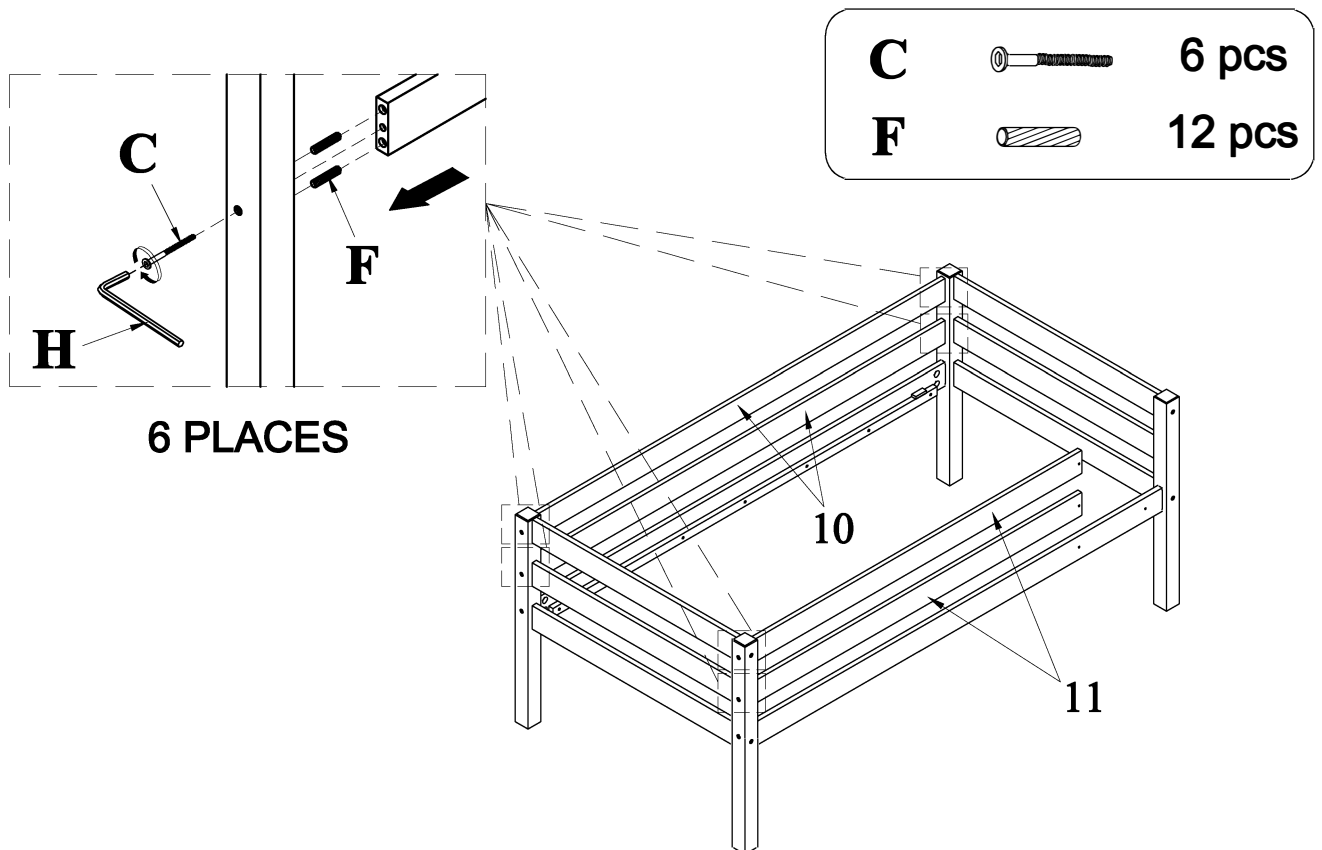
**LOWER HEADBOARD  
RIGHT**



## STEP 2: UPPER HEADBOARD (Left + Right) ASSEMBLY

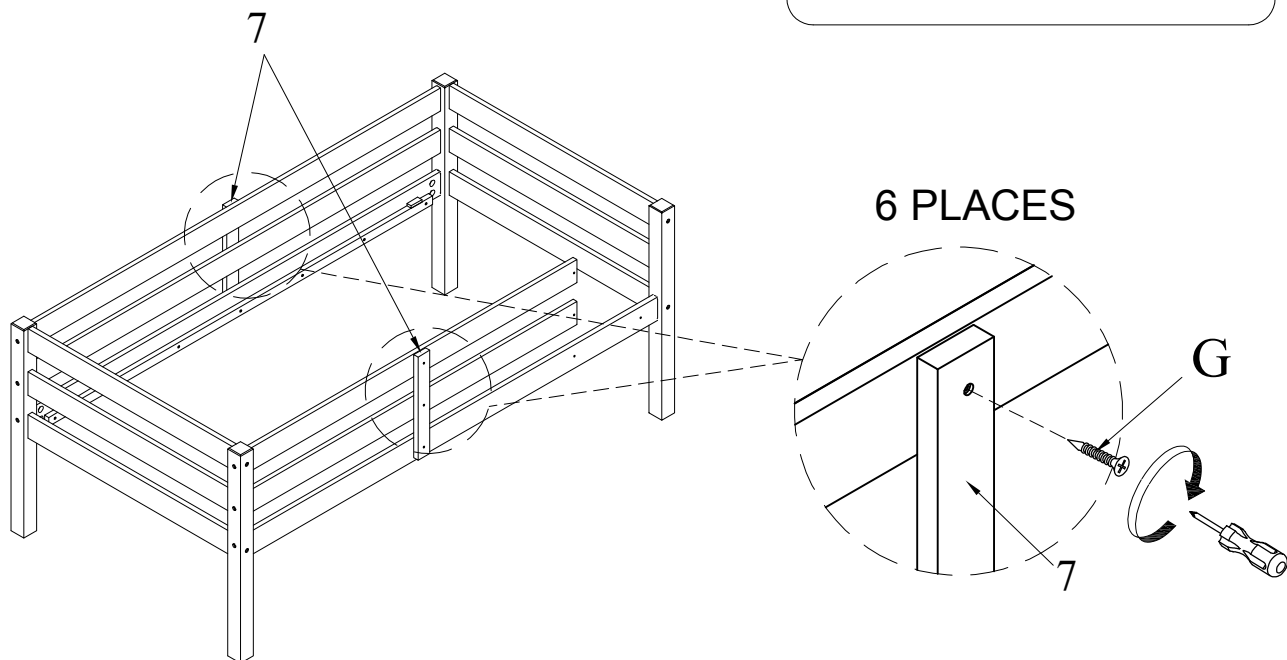


## STEP 3: LONG GUARDRAIL - SHORT GUARDRAIL ASSEMBLY




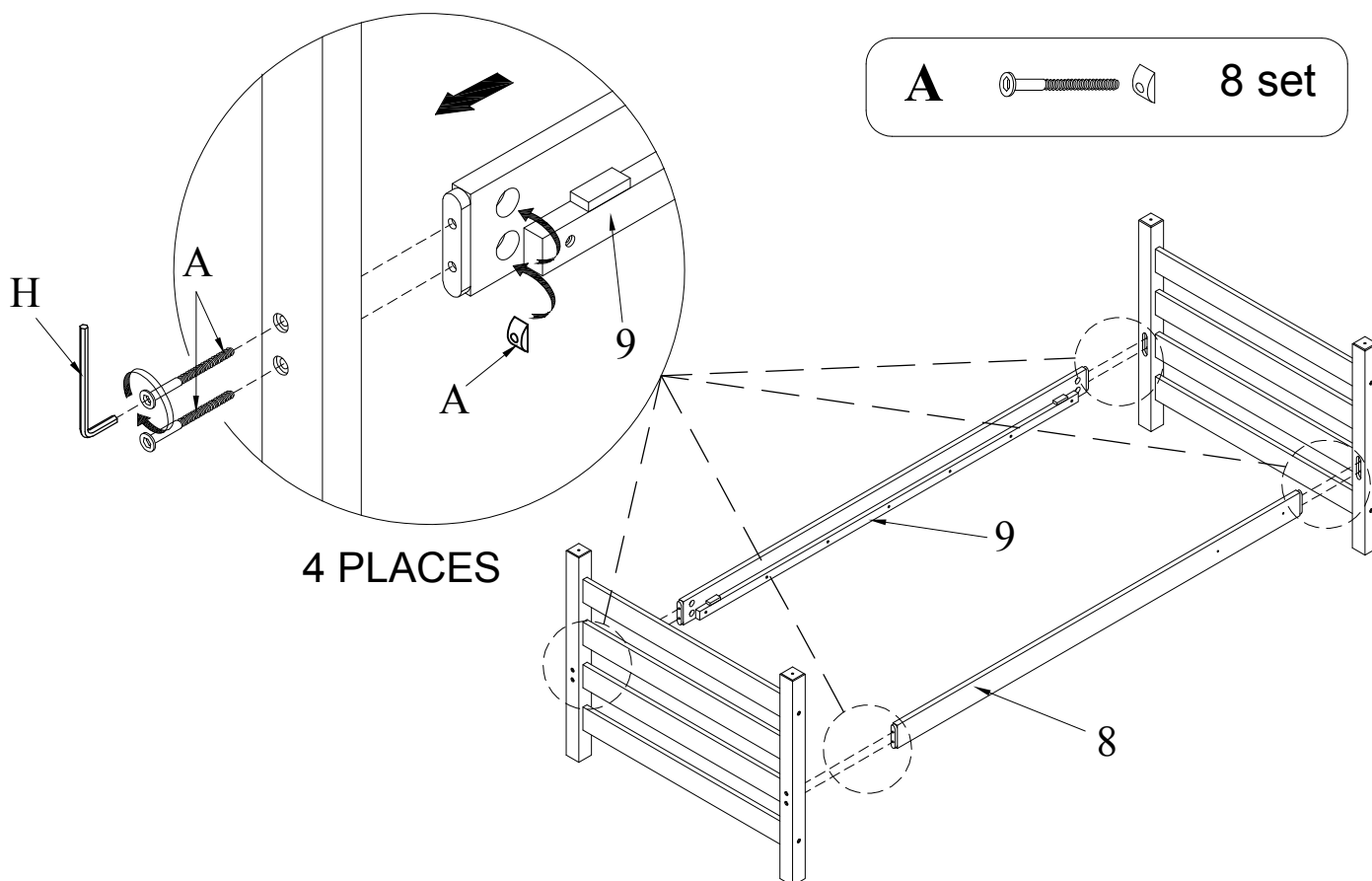
## STEP 4: GUARDRAIL SUPPORT ASSEMBLY

**G**  6 pcs

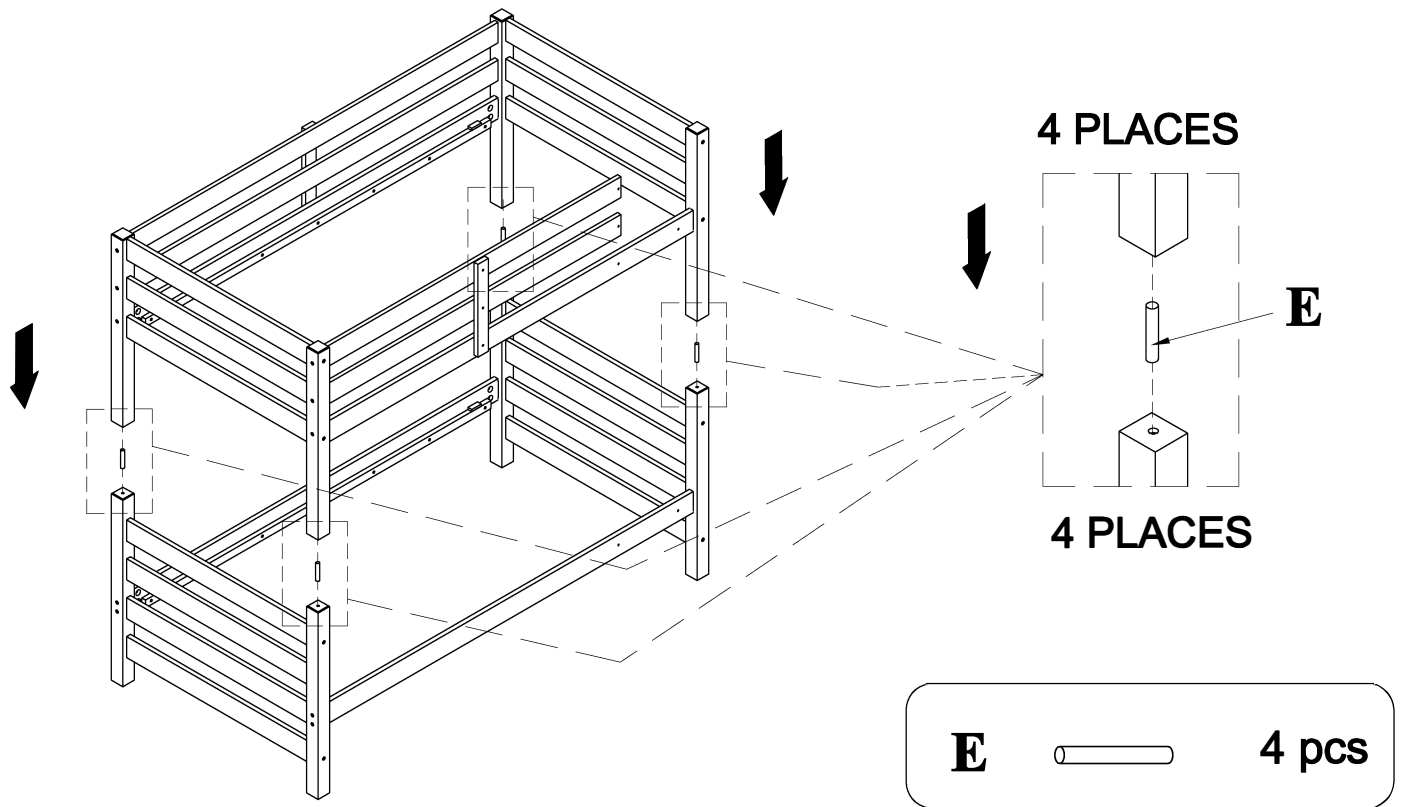


## STEP 5: LOWER HEADBOARD ASSEMBLY

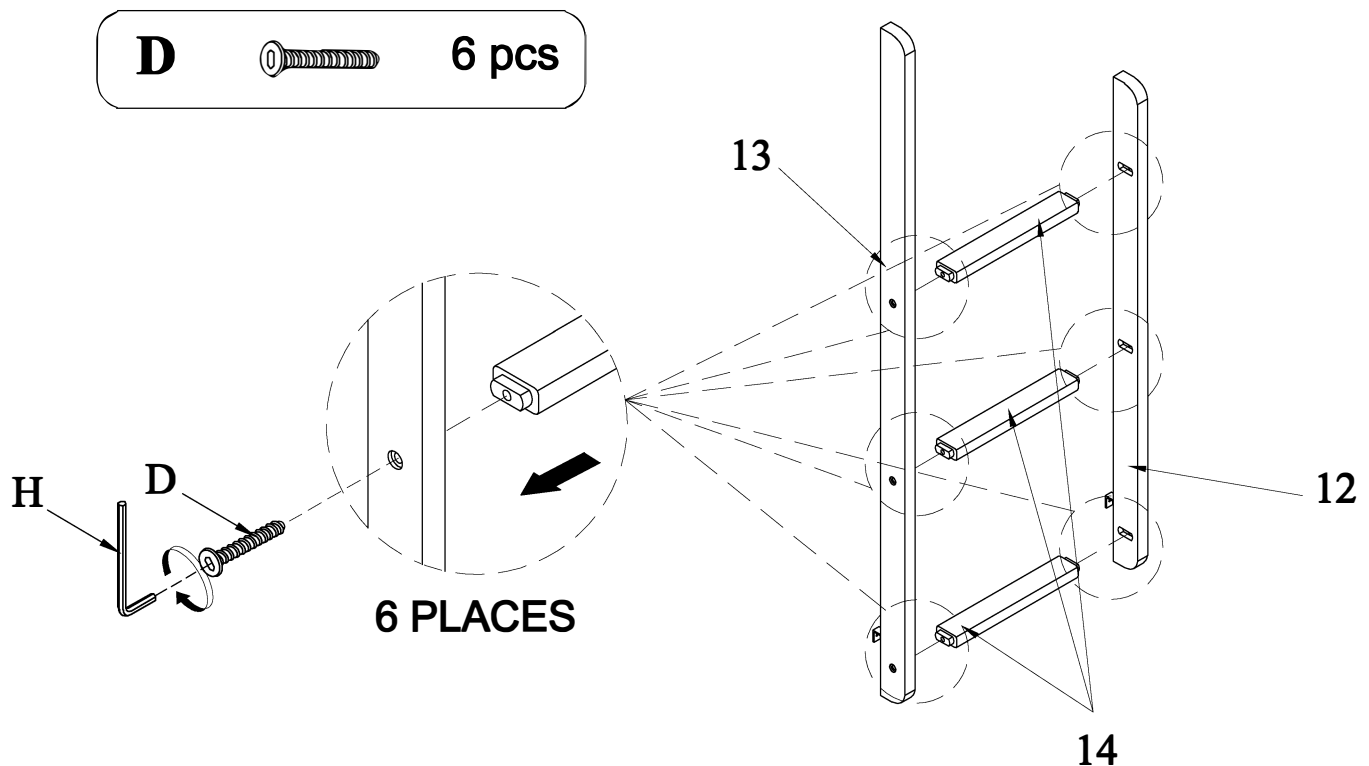
**A**  8 set



## STEP 6: UPPER & LOWER BED ASSEMBLY

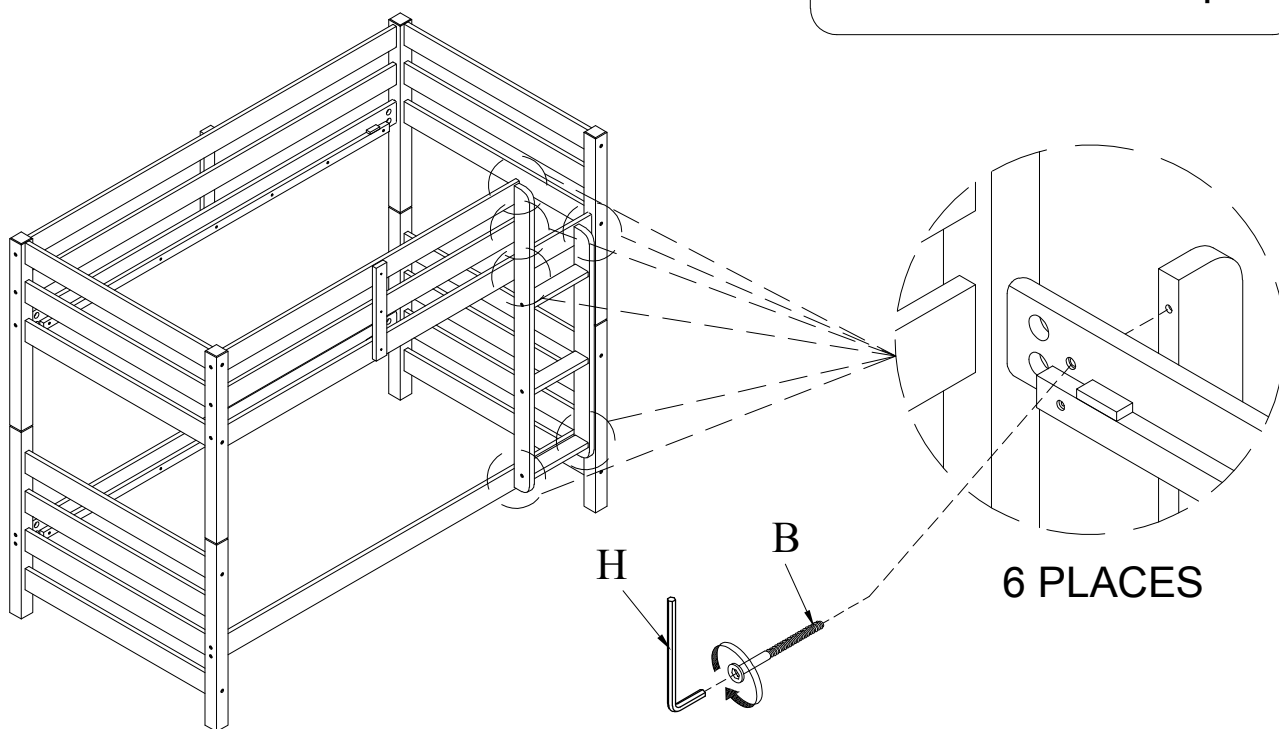


## STEP 7: LADDER ASSEMBLY

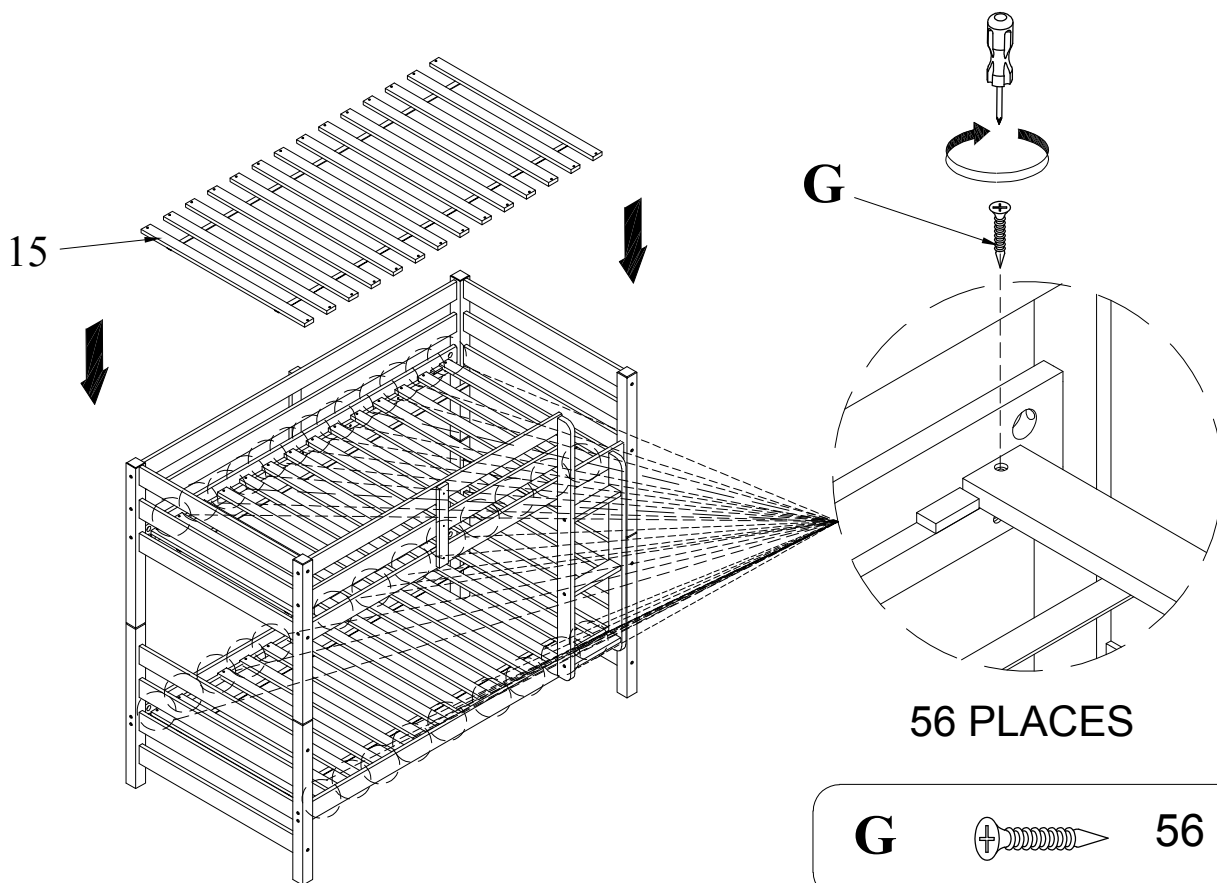


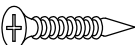
**STEP 8:** COMPLETED LADDER ASSEMBLY

**B**  6 pcs



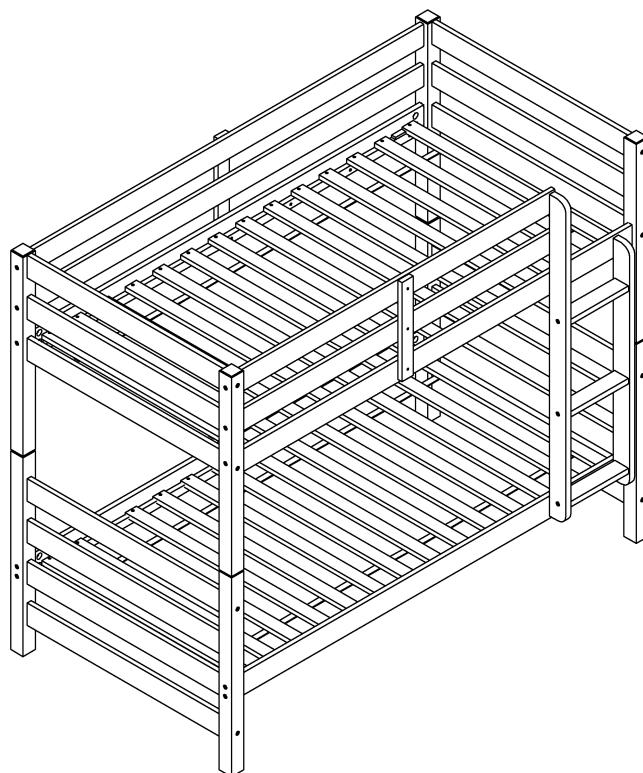
**STEP 9:** COMPLETED TWIN SLAT ASSEMBLY



**G**  56 pcs



## **STEP 10:**



# **ASSEMBLY IS COMPLETED**

## **WARNING !!!**

To help prevent serious or fatal injuries from entrapment or falls:

1. Follow the information on the warning label appearing on the upper bunk end structure and on the carton. Do not remove warning label from bed.
2. Use only mattress which is 39" WIDE AND 75" LONG ON UPPER BUNK.
3. Ensure thickness of upper mattress does not exceed 6" and top surface of mattress is at least 5" below the upper edge of guardrails.
4. Do not allow children under 6 years to use the upper bunk.
5. Periodically check and ensure that the guardrail, ladder, and other components are in their proper position, free from damage, and that all connectors are tight.
6. Do not allow horseplay on or under the bed and prohibit jumping on the bed.
7. Always use ladder for entering and leaving upper bunk.
8. Do not use substitute parts. Contact the manufacturer or dealer for replacement parts.
9. Use of a night-light may provide added safety precaution for a child using the upper bunk.
10. Always use guardrails on both long sides of the upper bunk. If the bunk bed will be placed next to a-wall, the guardrail that runs the full length of the bed should be placed against the wall to prevent entrapment between the bed and the wall.
11. The use of water or sleep flotation mattresses is prohibited.

### **STRANGULATION HAZARD:**

12. Never attach or hang items to any part of the bunk bed that are not designed for use with the bed, for example, but not limited to, hooks, belts and jump ropes.
13. Prohibit more than one person on upper bunk.
14. Maximum total weight not to exceed-150 lbs on the upper bunk, and maximum 200 lbs on lower bunk.
15. Keep these instructions for future reference.