

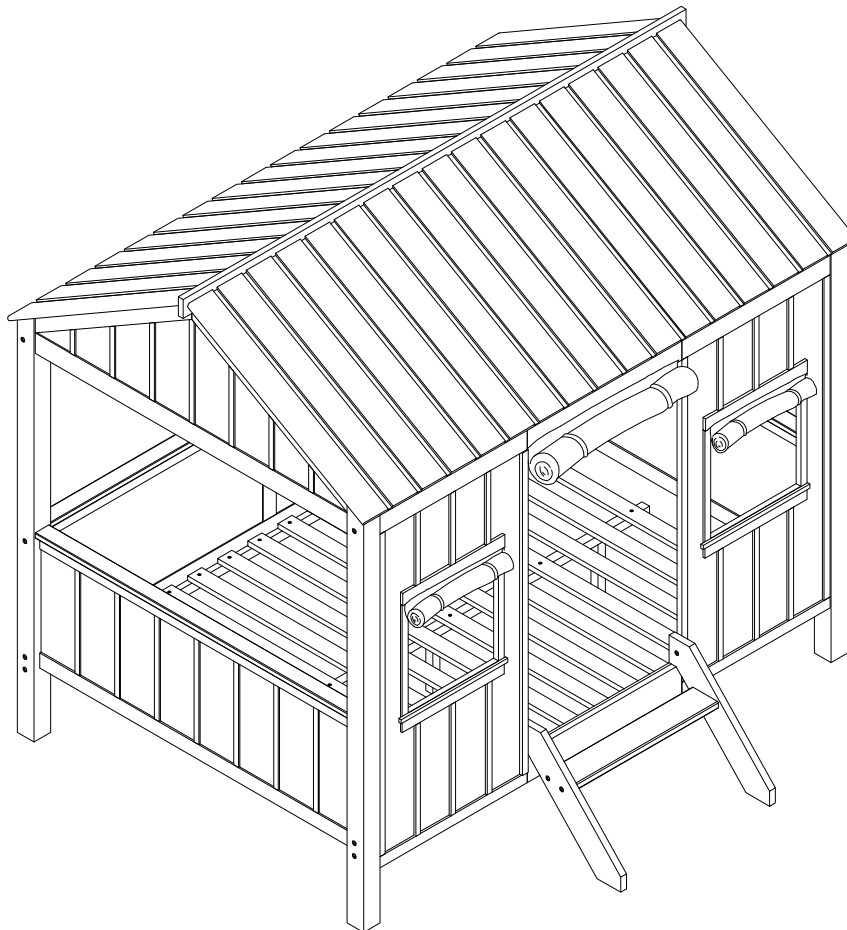


ASSEMBLY INSTRUCTIONS

Item No: #37655










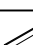
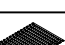

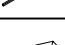





*** Thank you for purchasing this quality product. Be sure to check all packing materials carefully for small parts which may have come loose inside the carton during shipment. Identify and count all parts and compare with parts list below.

*** Assemble product on a flat, soft surface such as a carpet or cloth to prevent scratching the finish. Read all instruction and study the drawings carefully before starting the assembly process.




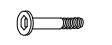


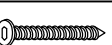




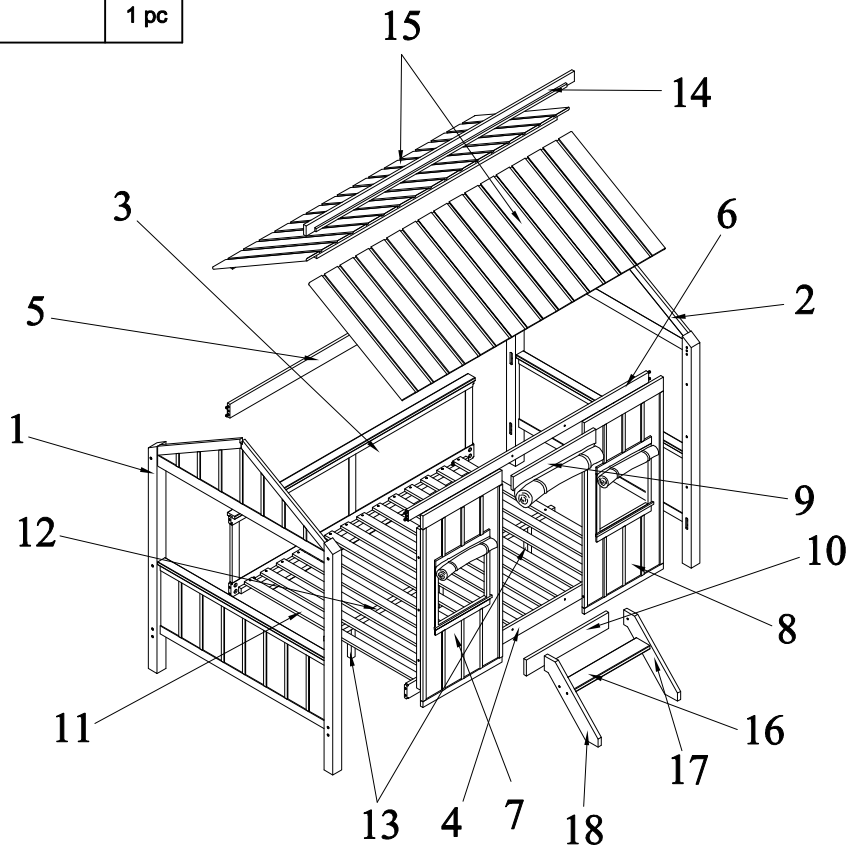
IMPORTANT: Do not tighten bolts completely until all bolt are completely lined up and inserted into holes

PARTS LIST



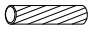

NO.	DRAGRAM	PART NAME	Q'Ty
1		Left Headboard	1 pc
2		Right Headboard	1 pc
3		Bottom Back Rail Panel	1 pc
4		Bottom Front Rail	1 pc
5		Top Back Rail	1 pc
6		Top Front Rail	1 pc
7		Left Window Panel	1pc
8		Right Window Panel	1 pc
9		Top Front Support Guardrail	1 pc
10		Bottom Front Support Rail	1 pc
11		Complete Full Slat (14pcs/1set)	14 pcs
12		Center Support slat	1 pc
13		Leg	3 pcs
14		Top House - Center support	1 pc
15		Top House Panel	2 pcs
16		Ladder Step	1 pc
17		Ladder Rail (Right)	1 pc
18		Ladder Rali (Left)	1 pc

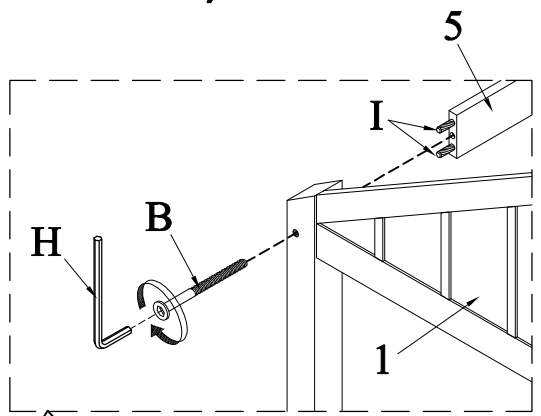
HARDWARE LIST

NO.	DRAGRAM	PART NAME	Q'Ty
A		Bolt: 6.3 * 100 (mm) Half Round Nut	8 sets
B		Bolt: 6.3 * 80 (mm)	6 pcs
C		Bolt: 6.3 * 50 (mm)	4 pcs
D		Bolt: 6.3 * 30 (mm)	16 pcs
E		Screw: 4 * 50 (mm)	2 pcs
F		Screw: 4 * 30 (mm)	46 pcs
G		Screw Bolt 7 x 50 (mm)	4 pcs
H		Allen Key (M4)	1 pc
I		Wood Dowel: 10 * 40 (mm)	8 pc

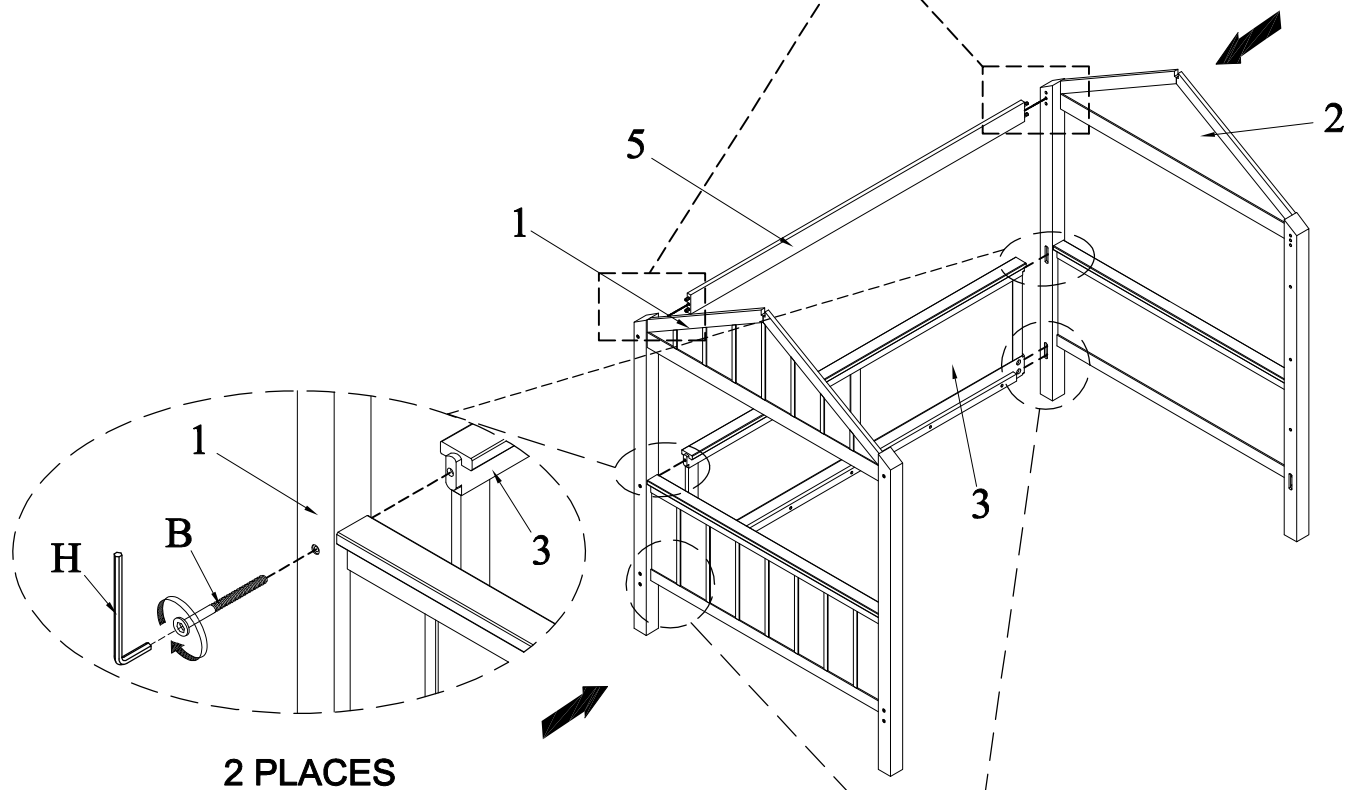


STEP 1: Headboard Assembly (Bottom Back Rail Panel and Top Back Rail)

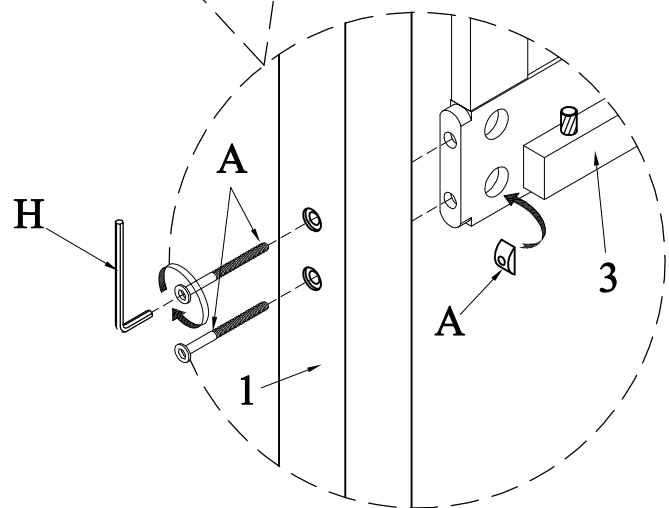
- | | | |
|----------|---|--------|
| A |  | 4 sets |
| B |  | 4 pcs |
| I |  | 4 pcs |
| H |  | |



2 PLACES


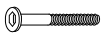




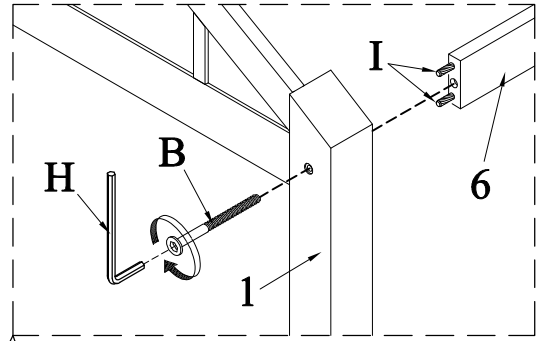
2 PLACES



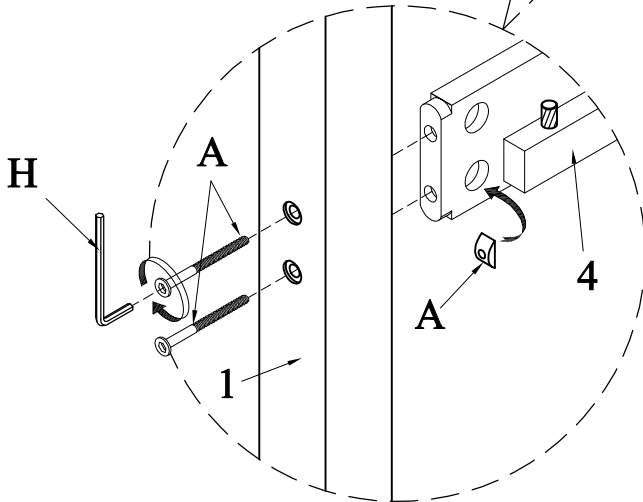
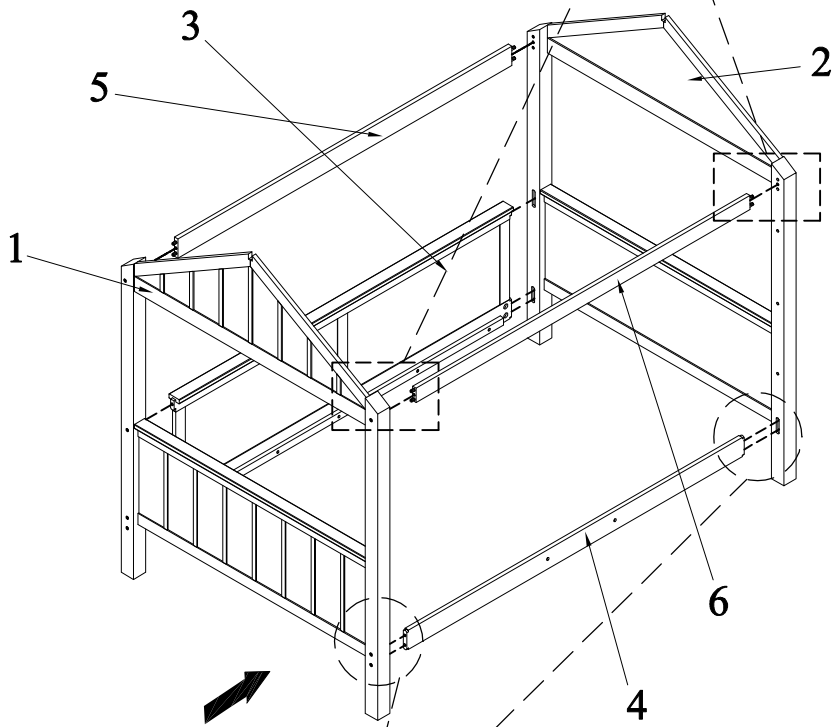
2 PLACES

STEP 2: Headboard Assembly (Bottom Front Rail and Top Front Rail)

- | | | |
|----------|---|--------|
| A |  | 4 sets |
| B |  | 2 pcs |
| I |  | 4 pcs |
| H |  | |



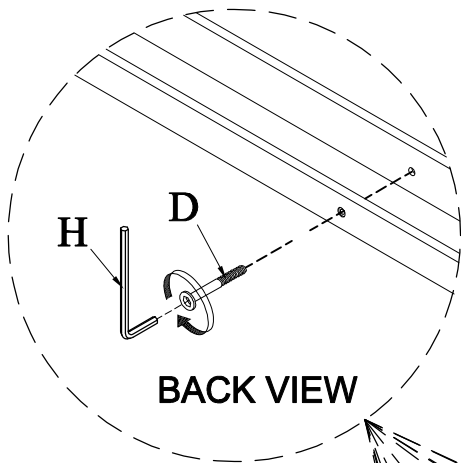
2 PLACES



2 PLACES

STEP 3: Window Panel Assembly

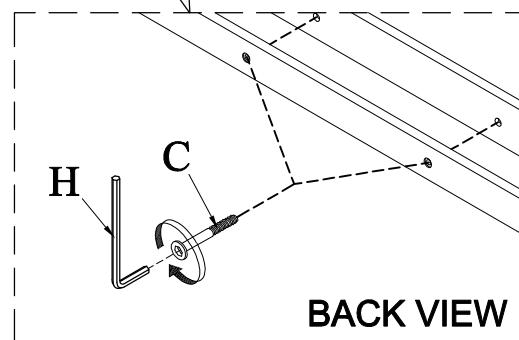
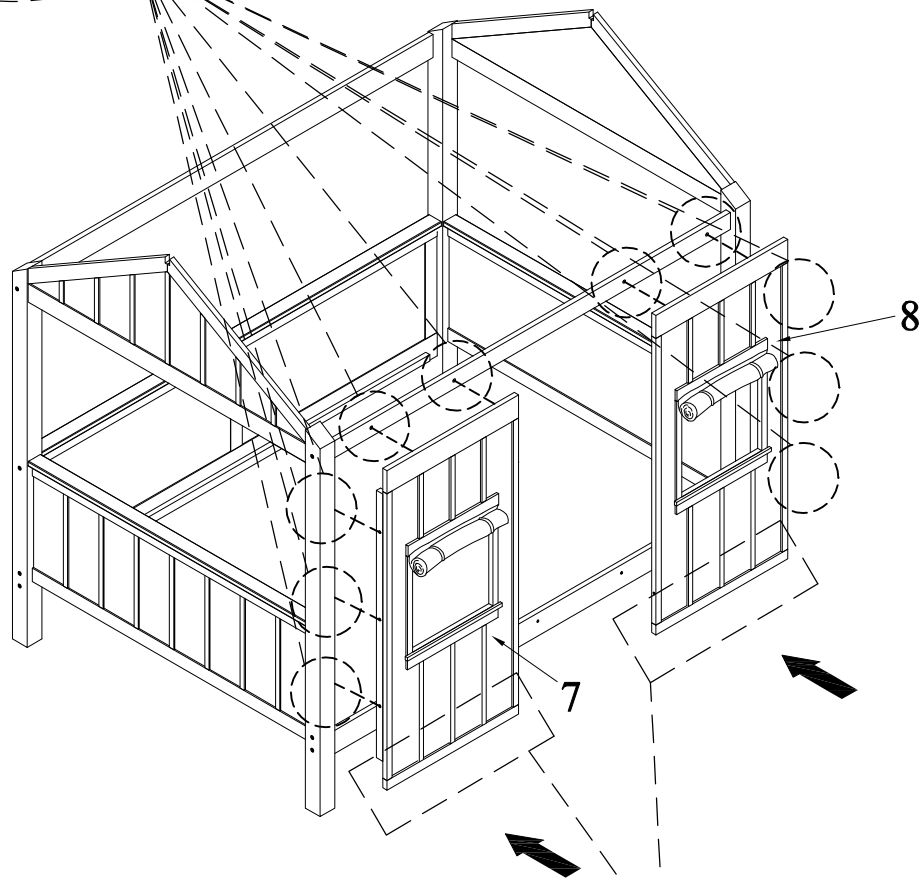
10 PLACES



C  4 pcs

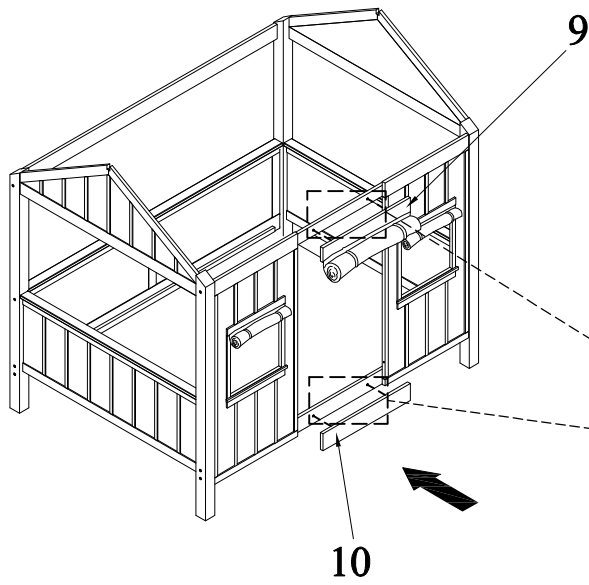
D  10 pcs

H 



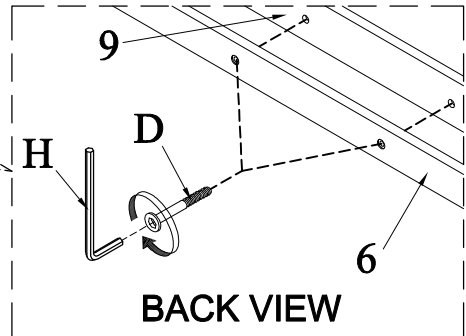
2 PLACES

STEP 4: Front Support Assembly



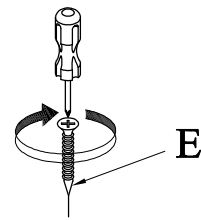
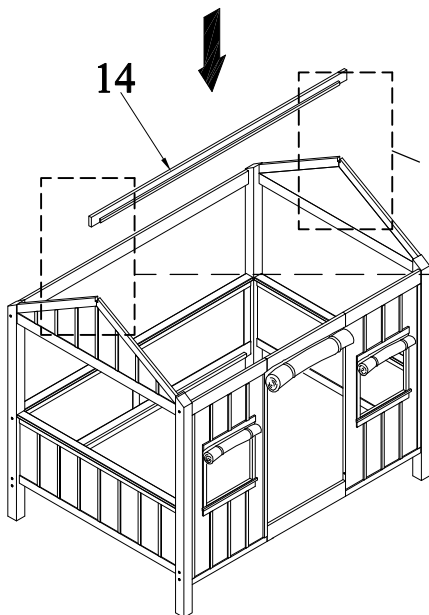
D  4 pcs

H 



2 PLACES

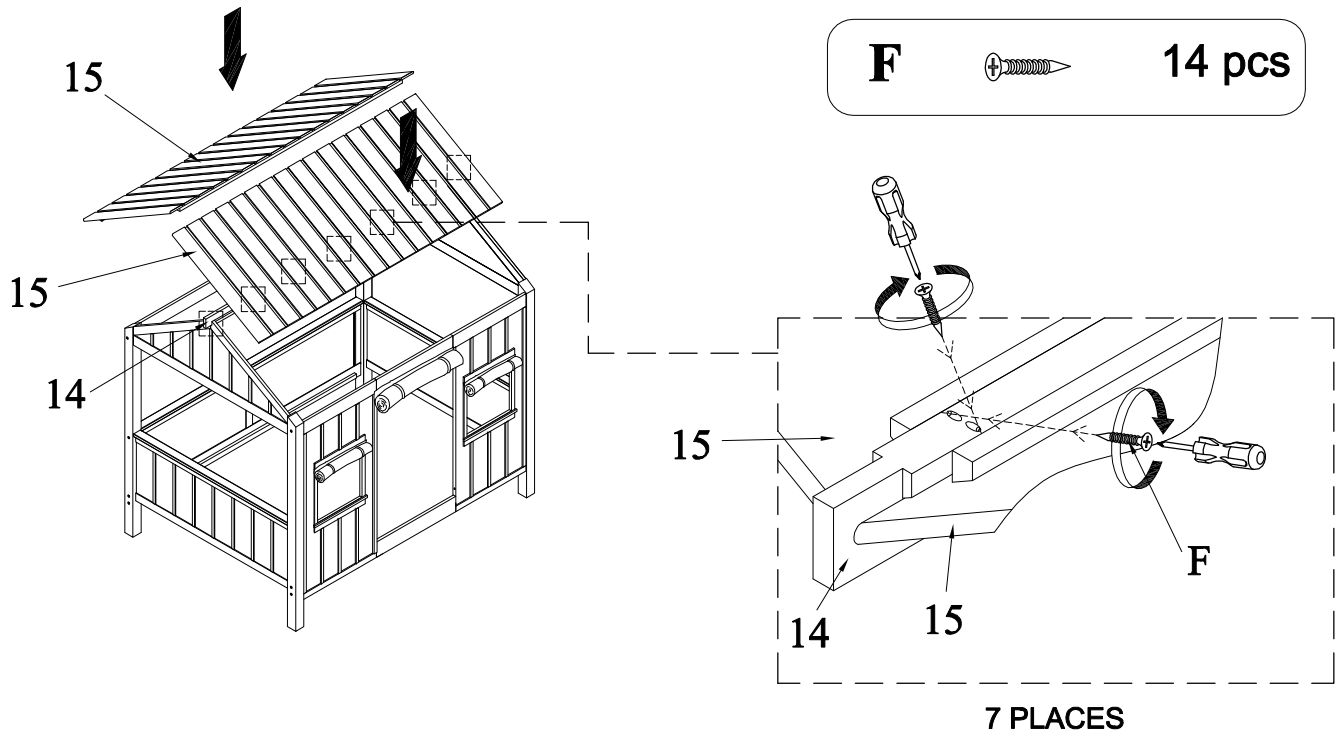
STEP 5: Top House - Center support Assembly



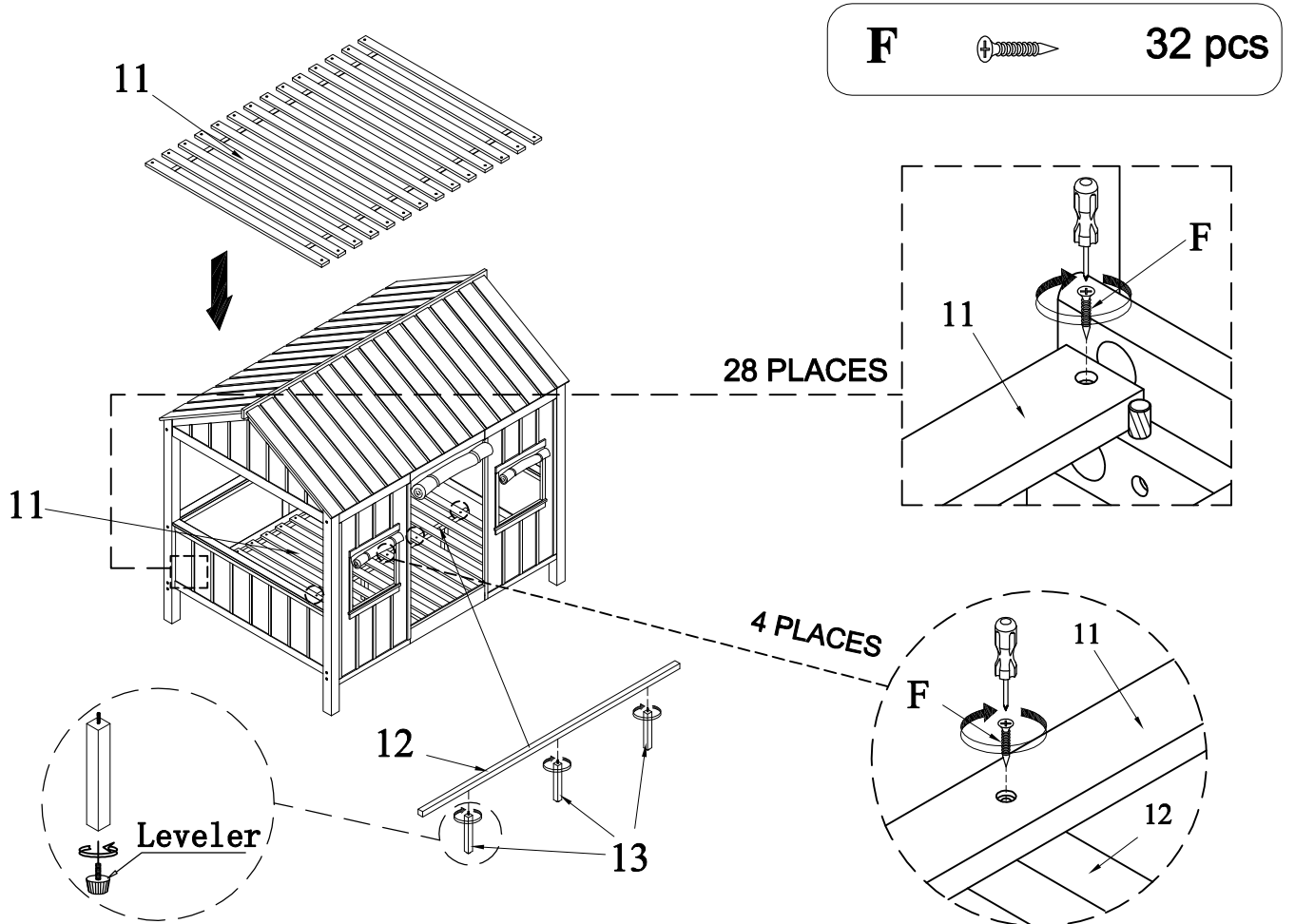
2 PLACES

E  2 pcs

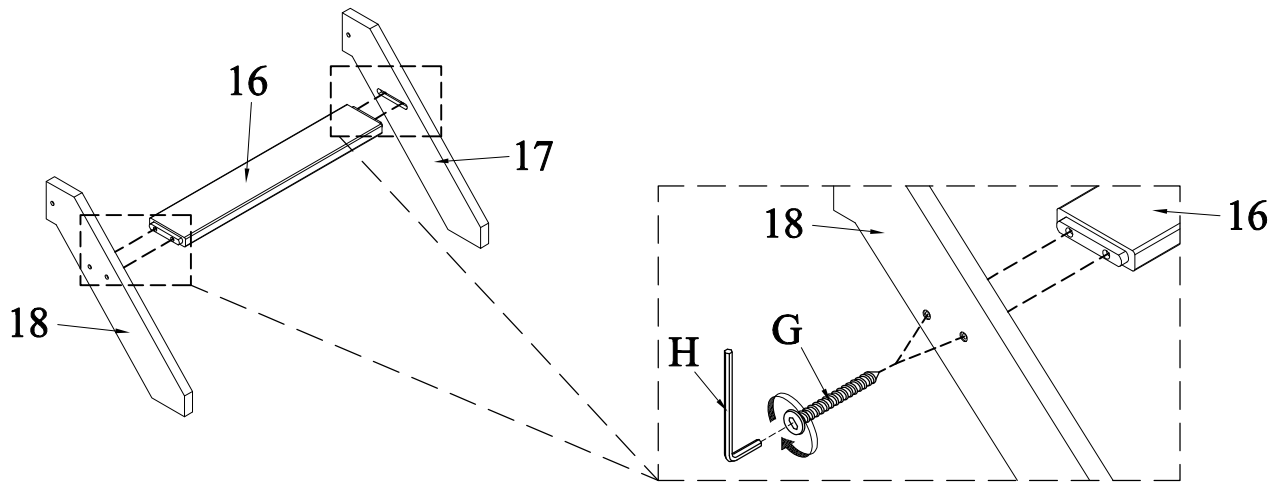
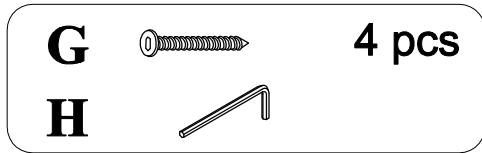
STEP 6: Top House Panel Assembly



STEP 7: Center Support slat & Complete Full Slat

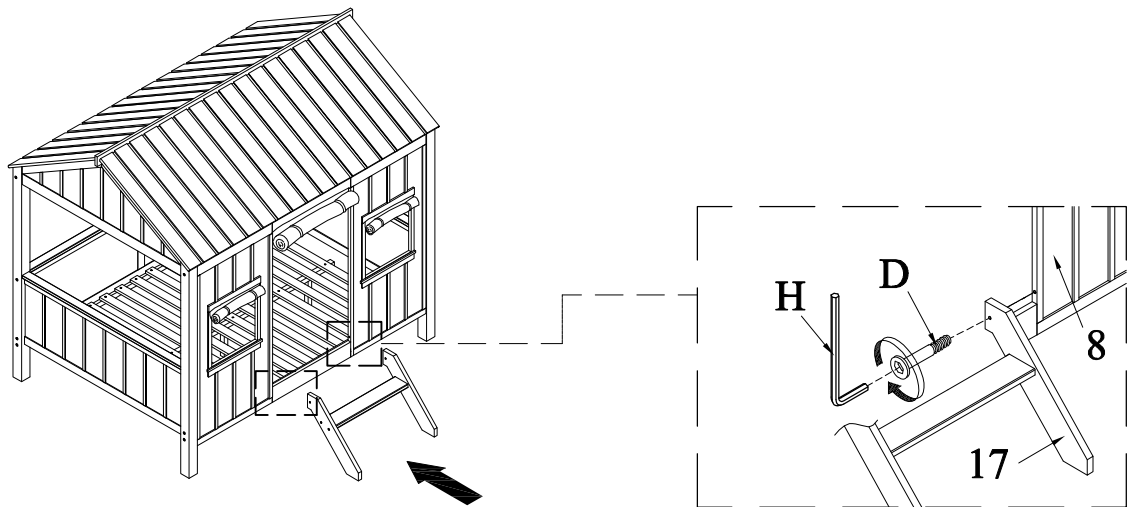
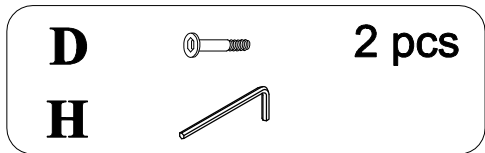


STEP 8: Front Support rail & Ladder Rail Assembly



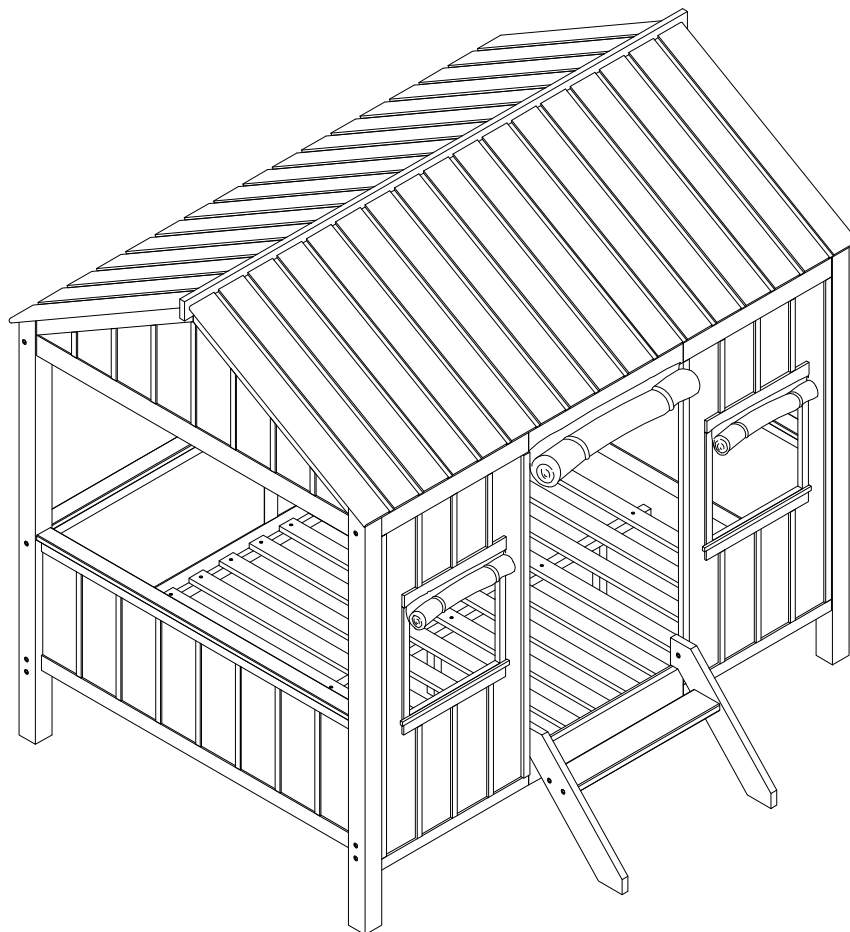
2 PLACES

STEP 9: Completed Ladder & Window Panel Assembly



2 PLACES

STEP 10:



ASSEMBLY IS COMPLETED