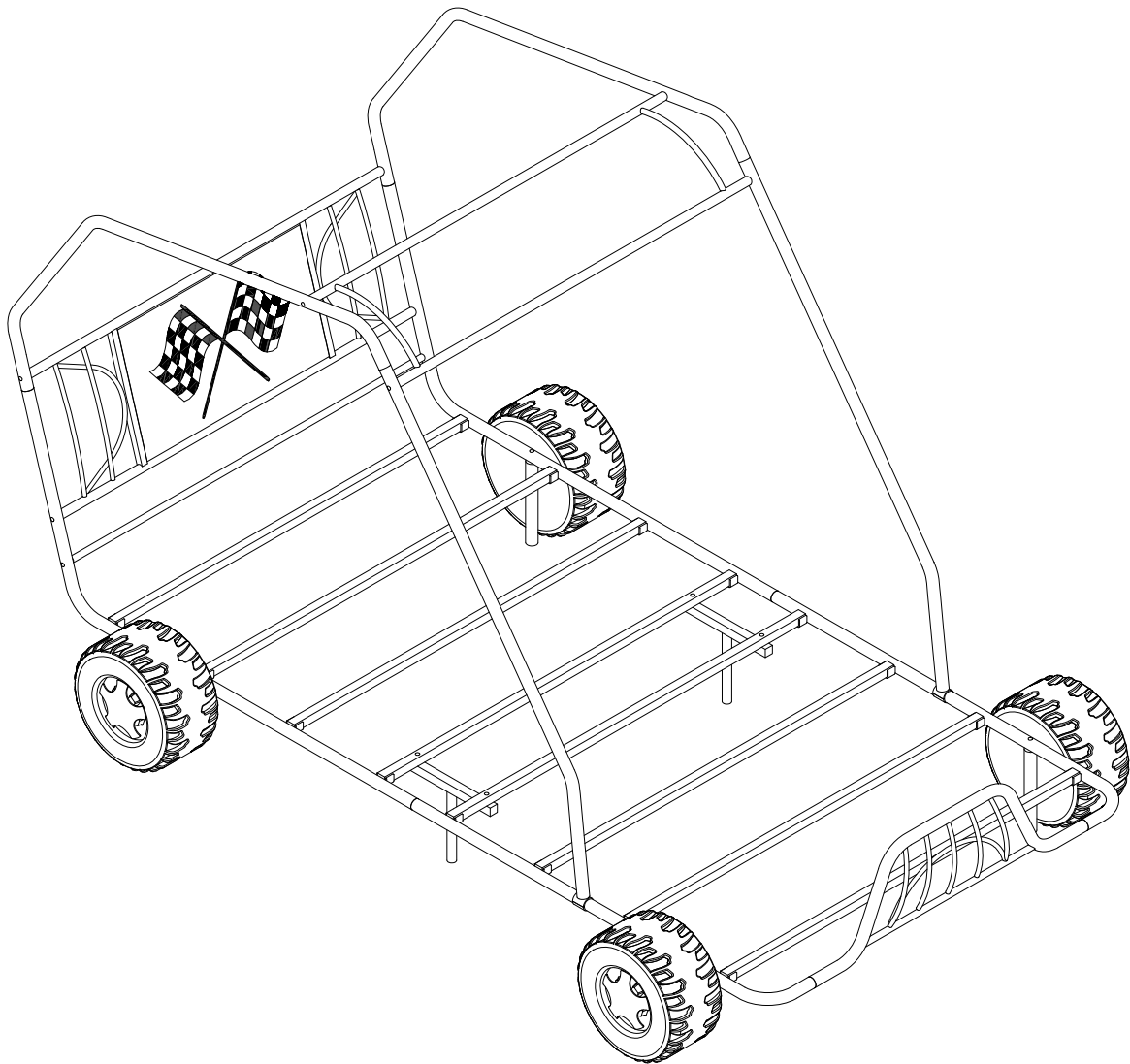


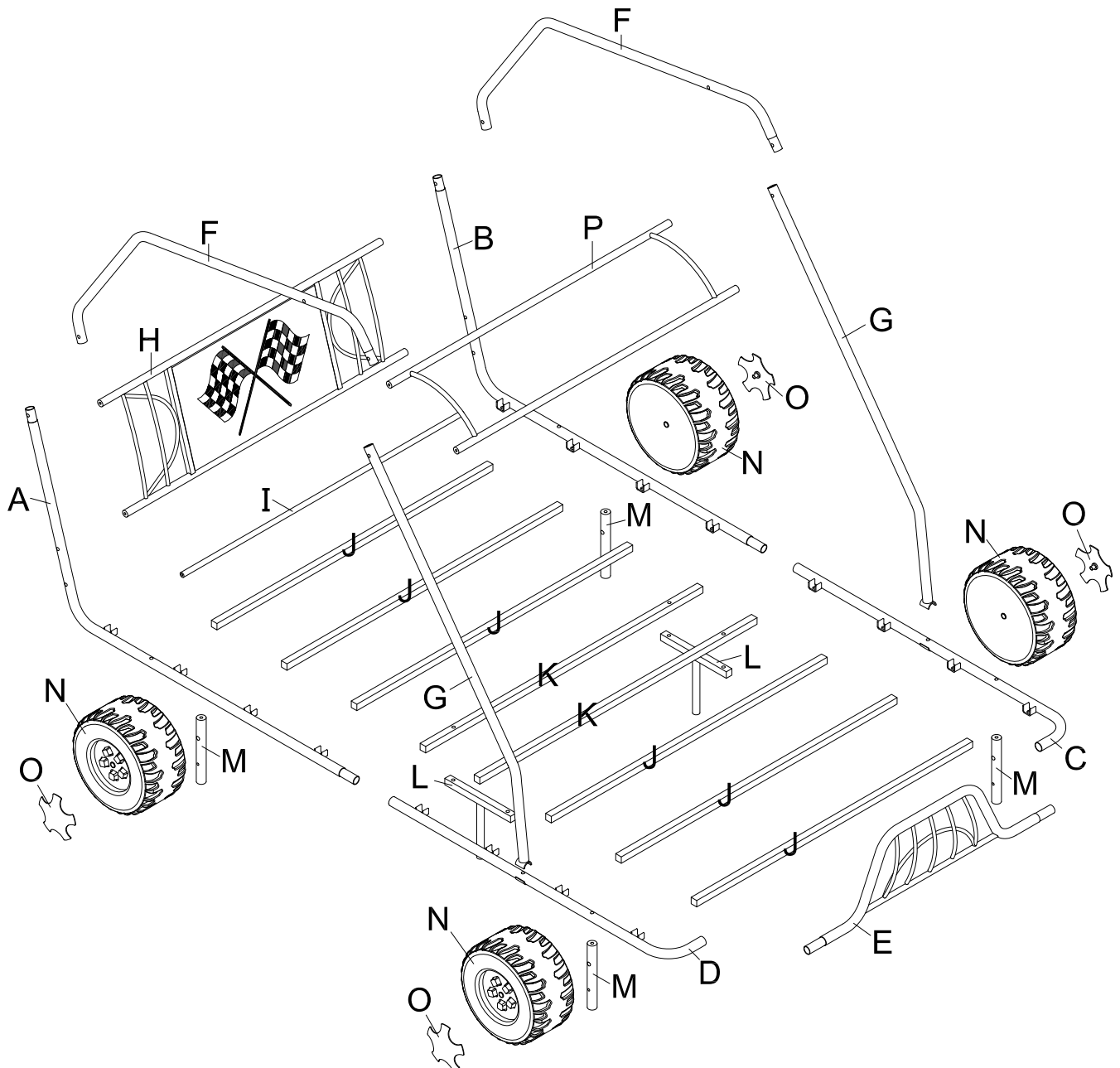
ASSEMBLY INSTRUCTION

ITEM NO.:ITEM NO.:37640T-BED/37645T-BED

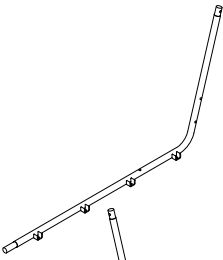
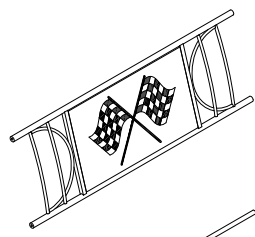
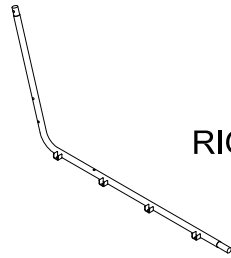
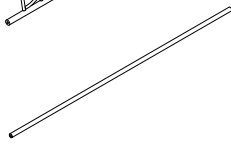
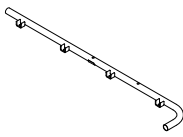
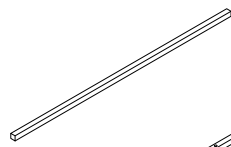
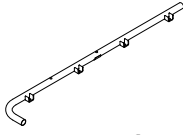
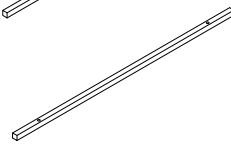
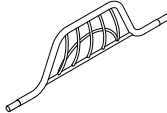
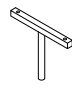


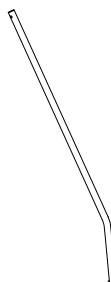


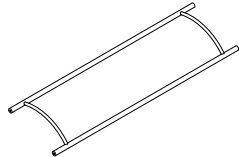


Do not tighten screws until completely assembled.






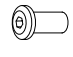
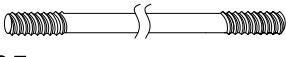


PARTS IDENTIFICATION

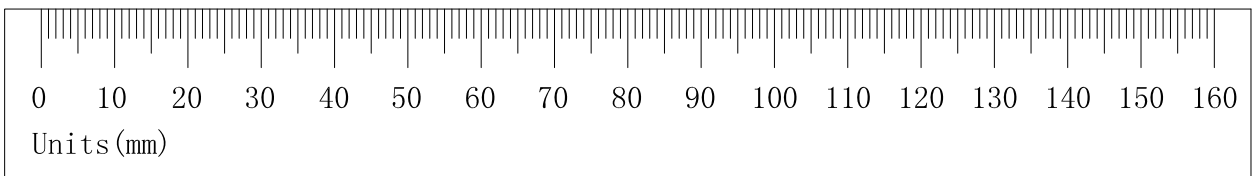


PARTS IDENTIFICATION

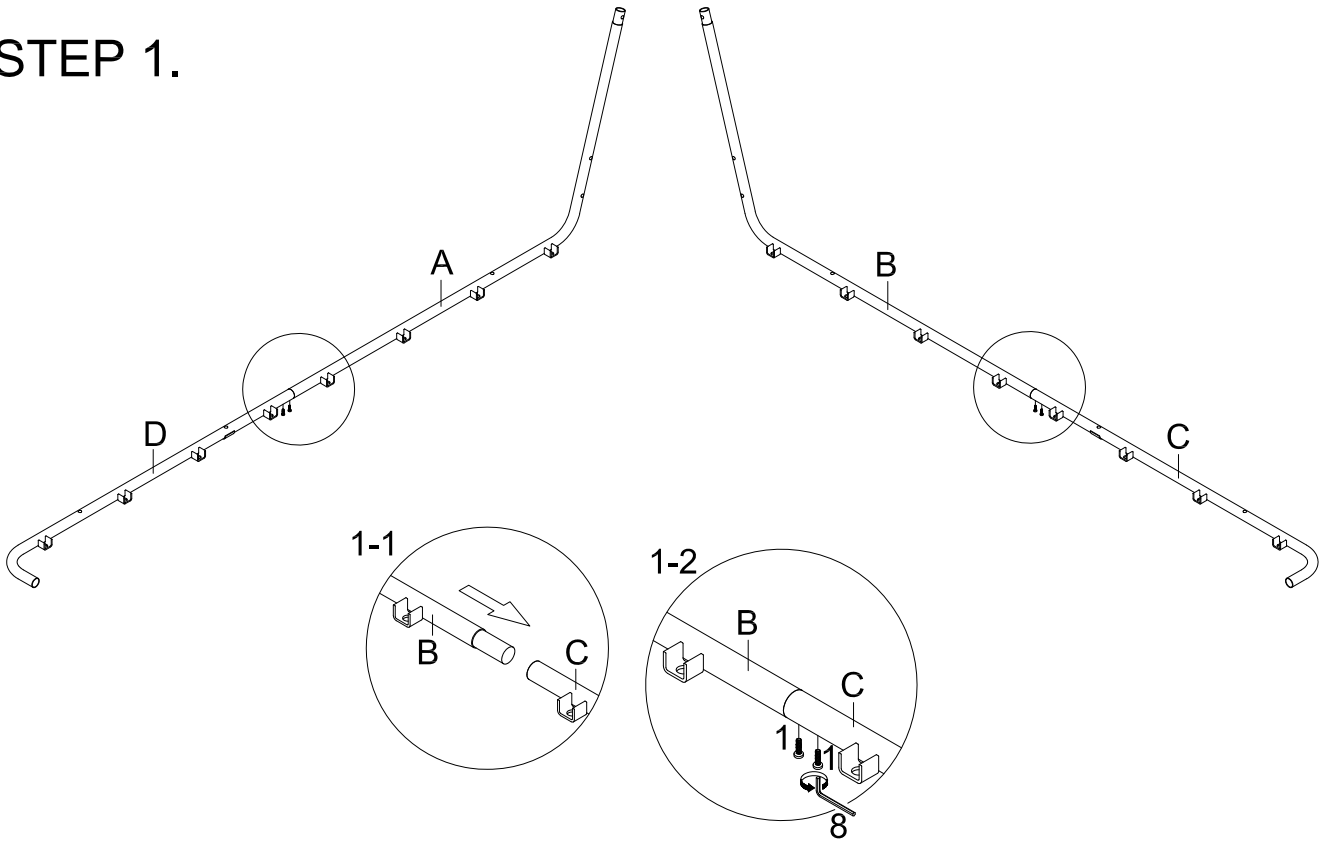
A		LEFT 1pc		H		1pc
B		RIGHT 1pc		I		1pc
C		LEFT 1pc		J		6pcs
D		RIGHT 1pc		K		2pcs
E		1pc		L		2pcs
F		2pcs		M		4pcs
G		2pcs		N		4pcs
				O		4pcs
				P		1pc


HARDWARE LIST

1  M6x15 12pcs	2  M6x30 4pcs	3  M6x40 16pcs
4  M4x40 4pcs	5  5x5 1pc	6  M8x18 4pcs
7  M8x195 4pcs	8  4x4 1pc	9  ø16xø7x1.0 4pcs

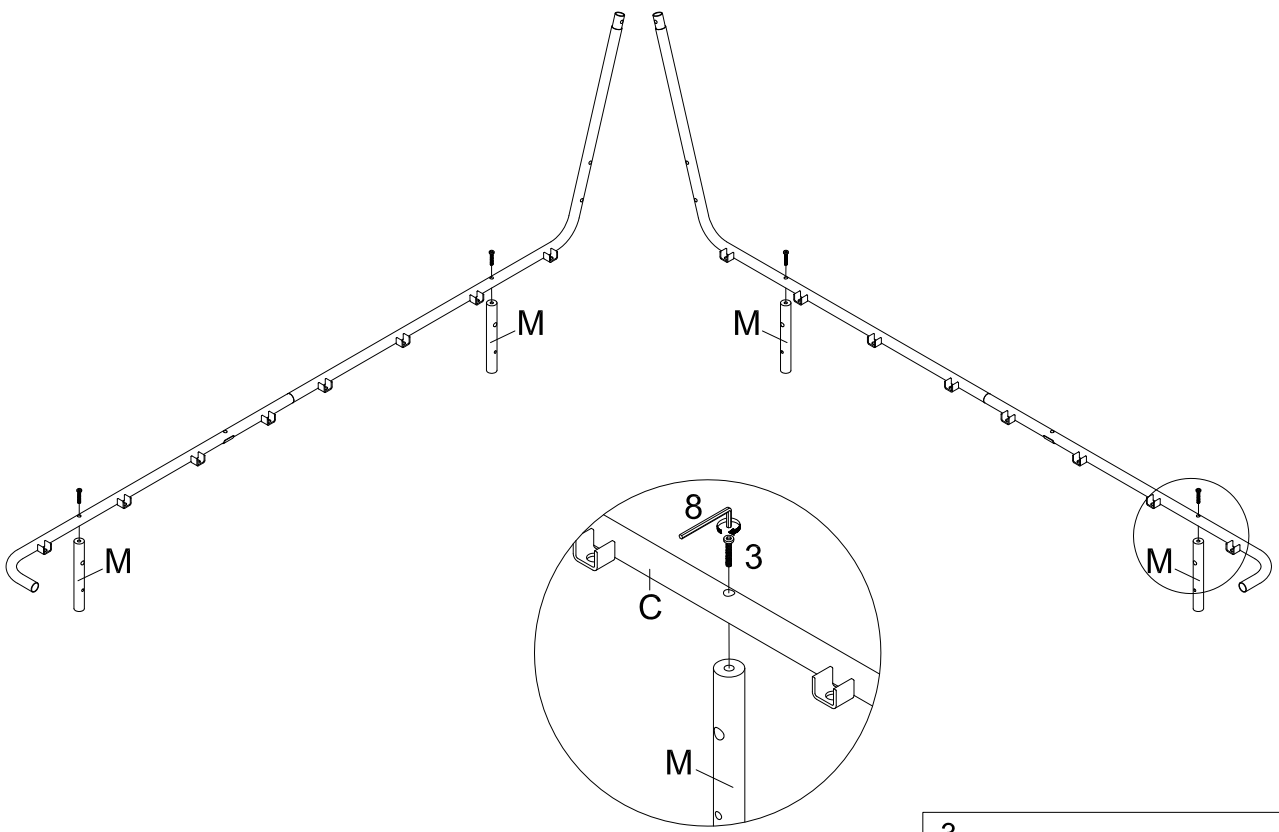



STEP 1.



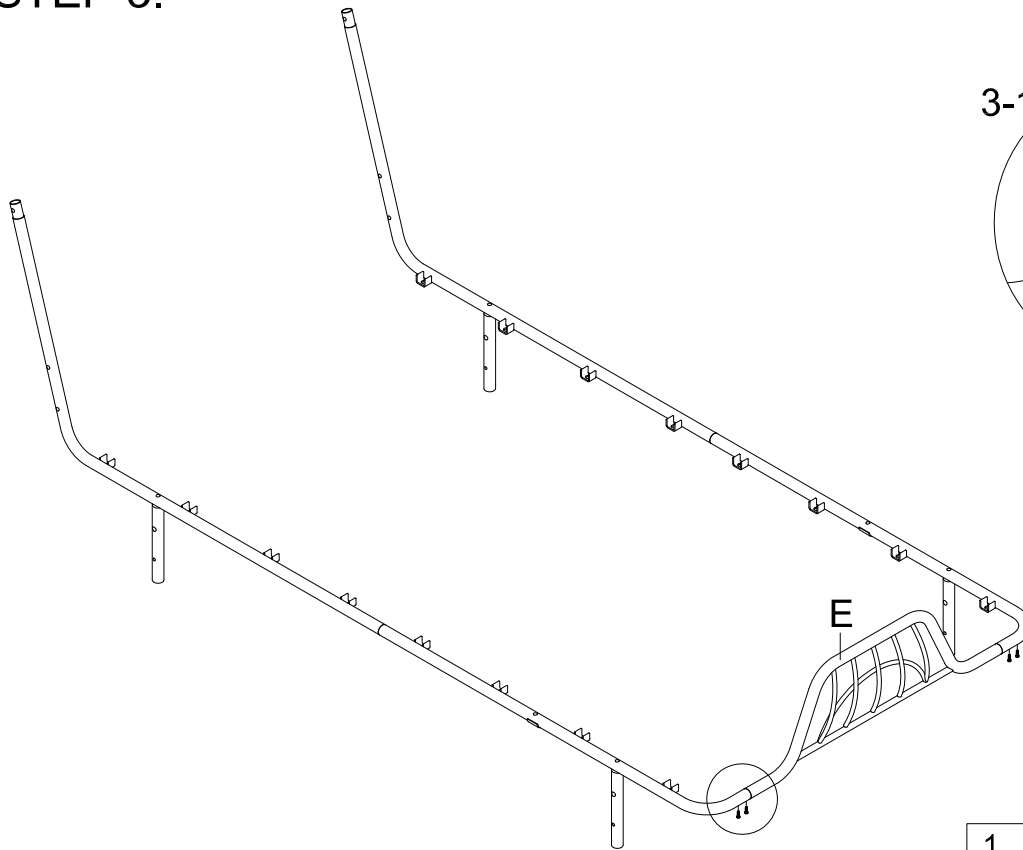
1		4pcs
M6x15		

STEP 2.

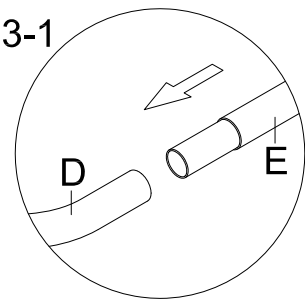


3		4pcs
M6x40		

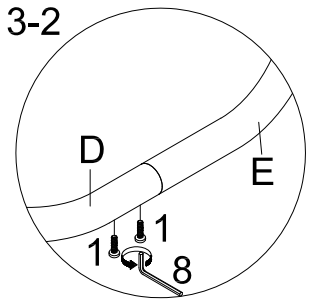
STEP 3.



3-1



3-2



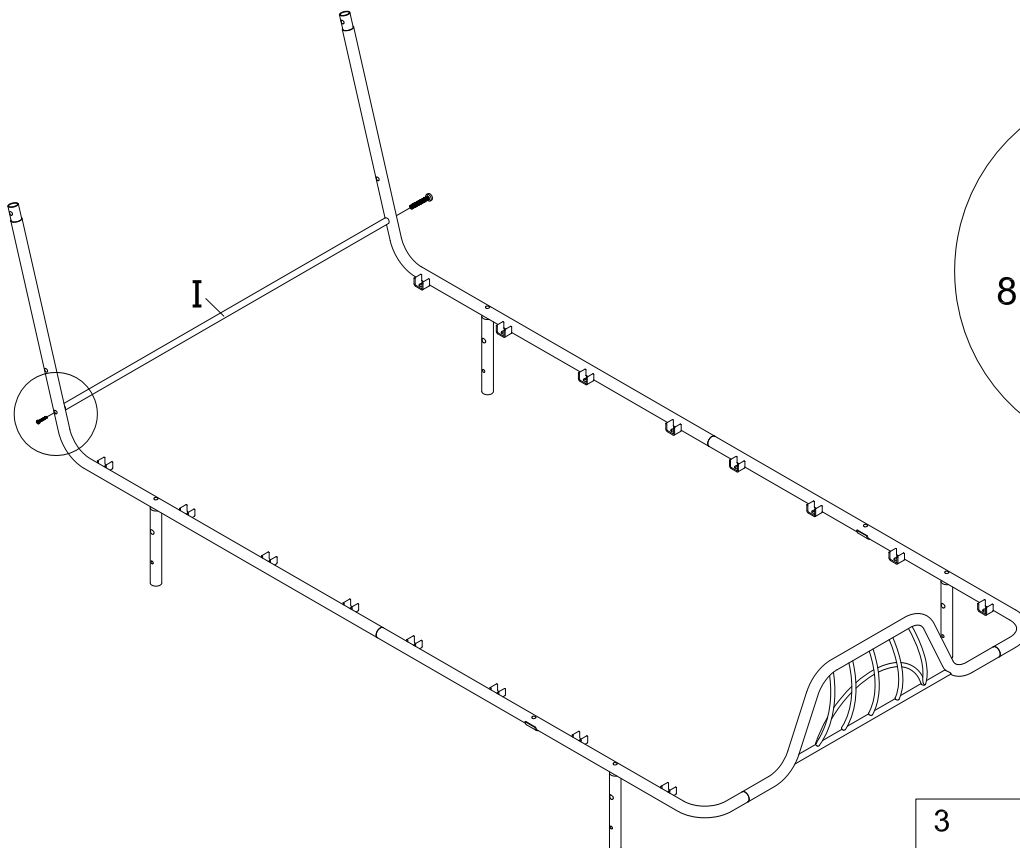
1

M6x15



4pcs

STEP 4.



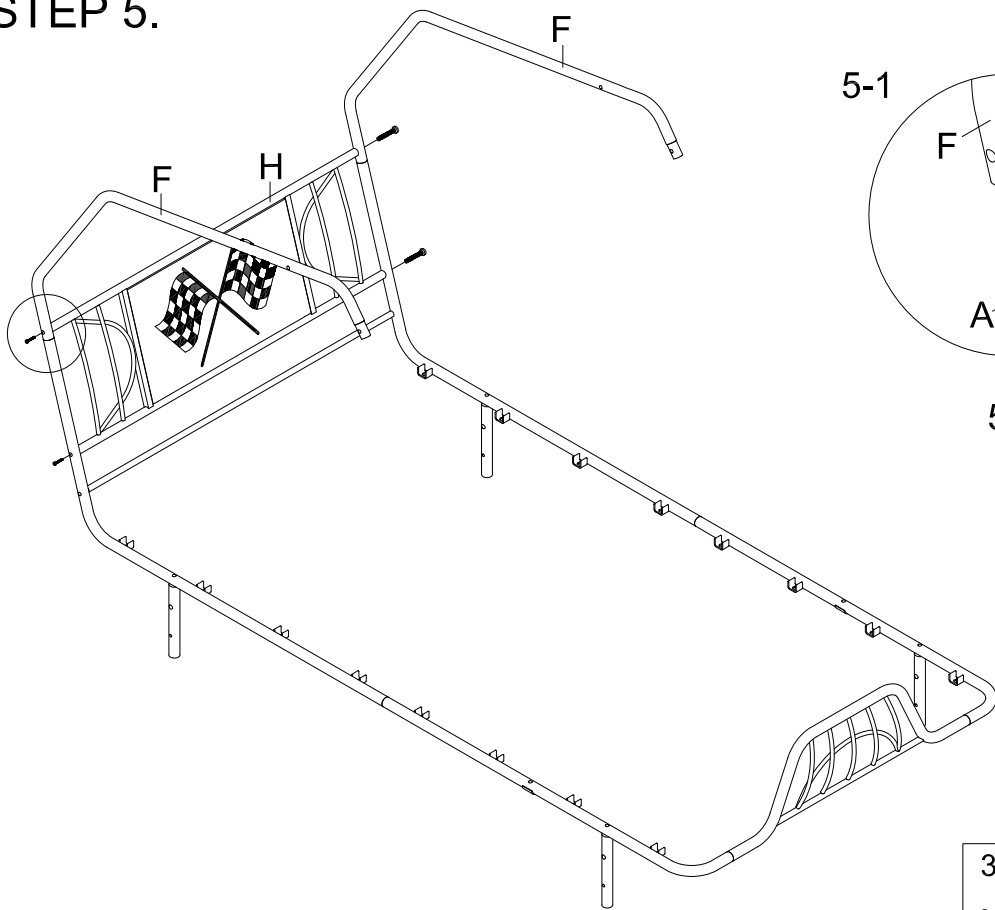
3

M6x40

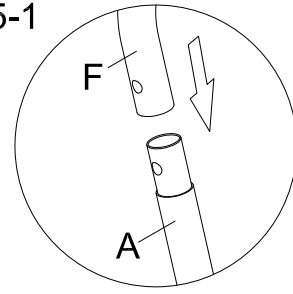


2pcs

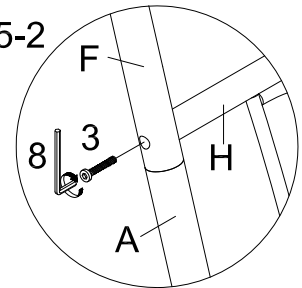
STEP 5.



5-1



5-2



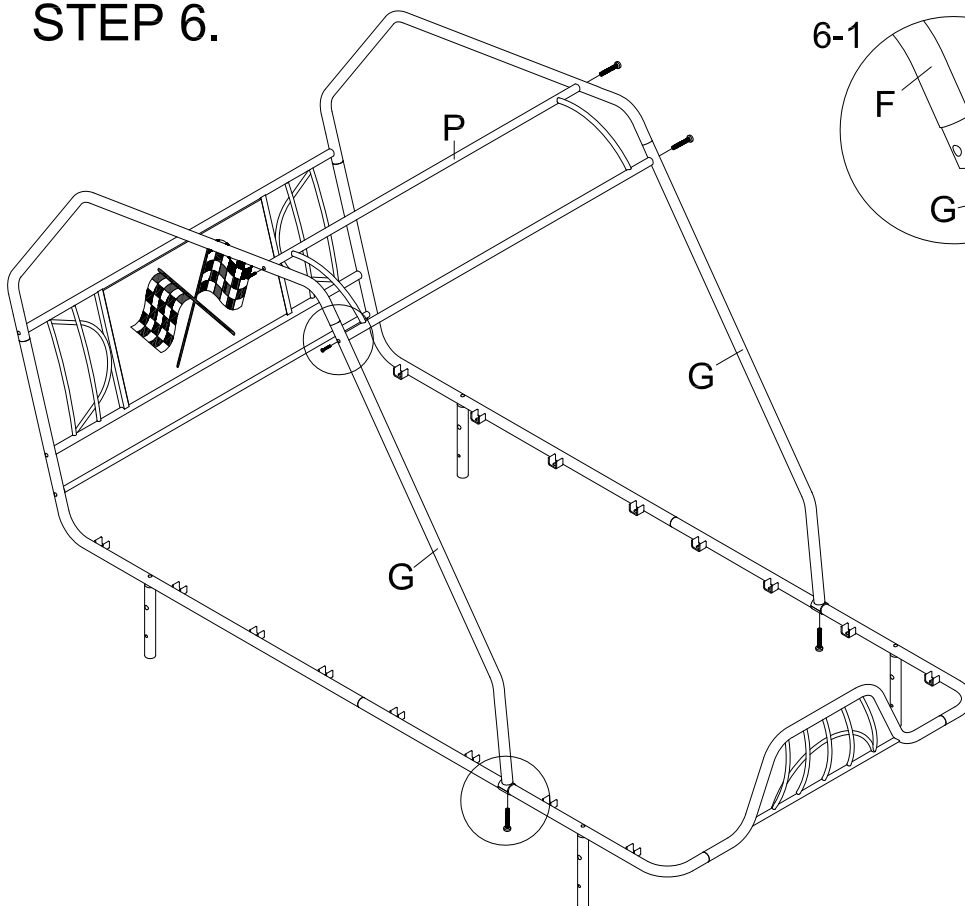
3

M6x40

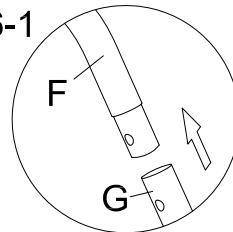


4pcs

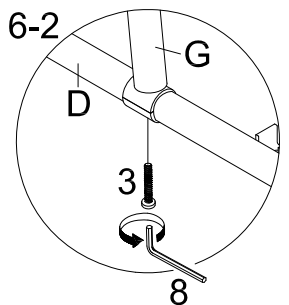
STEP 6.



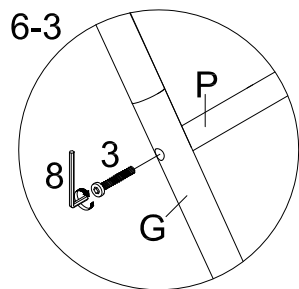
6-1



6-2



6-3



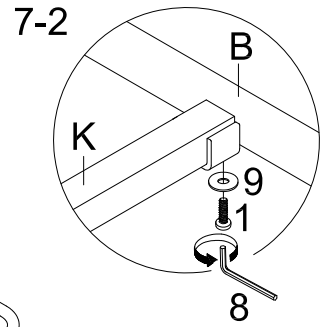
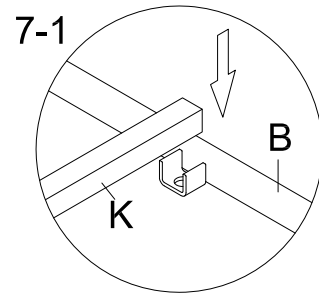
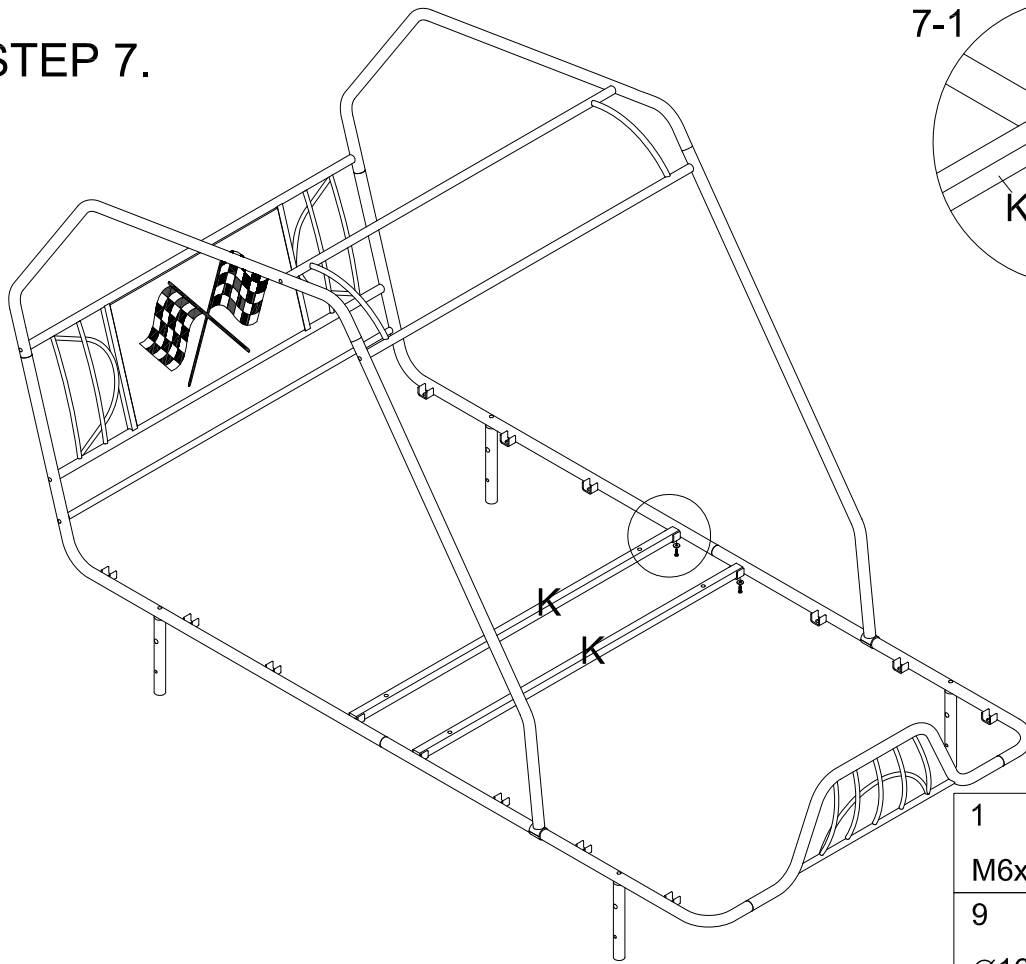
3



M6x40



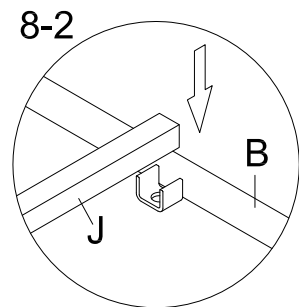
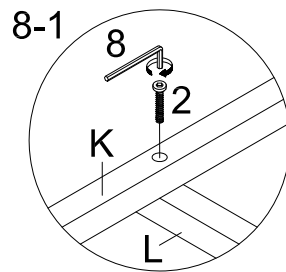
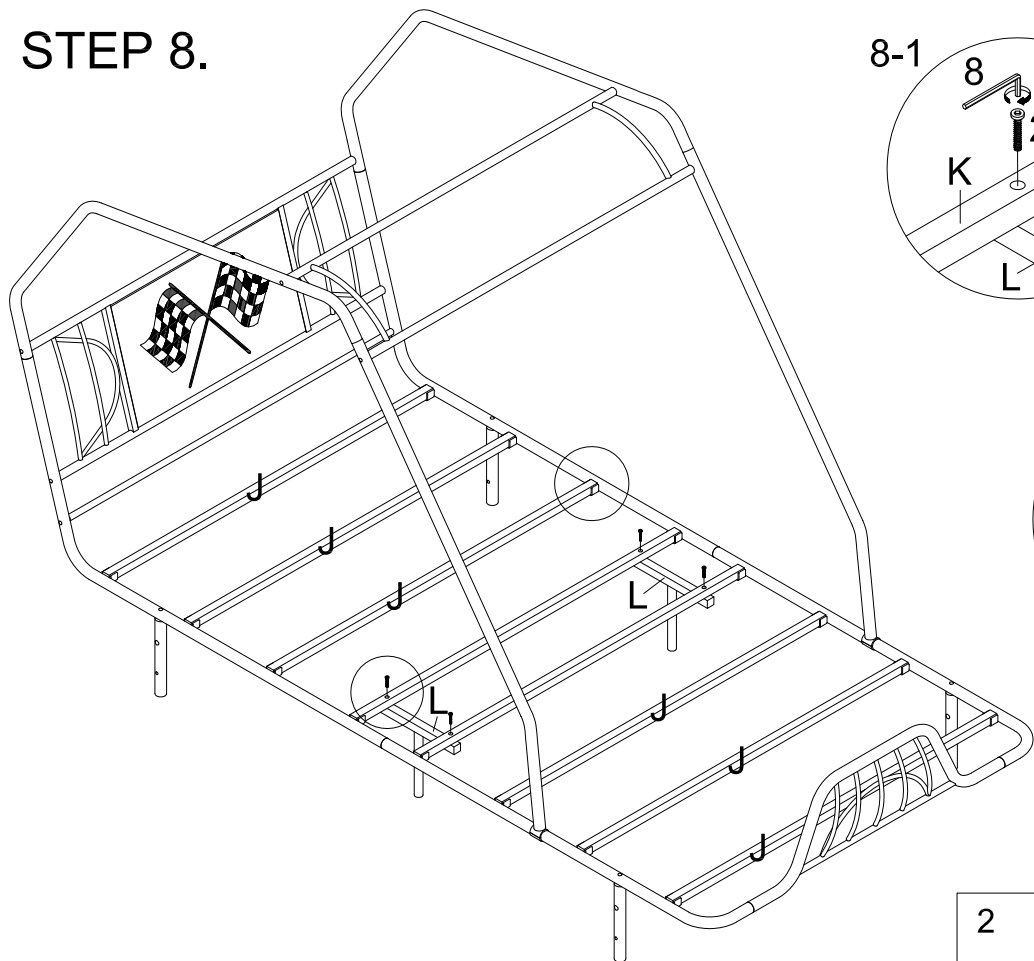
6pcs


STEP 7.



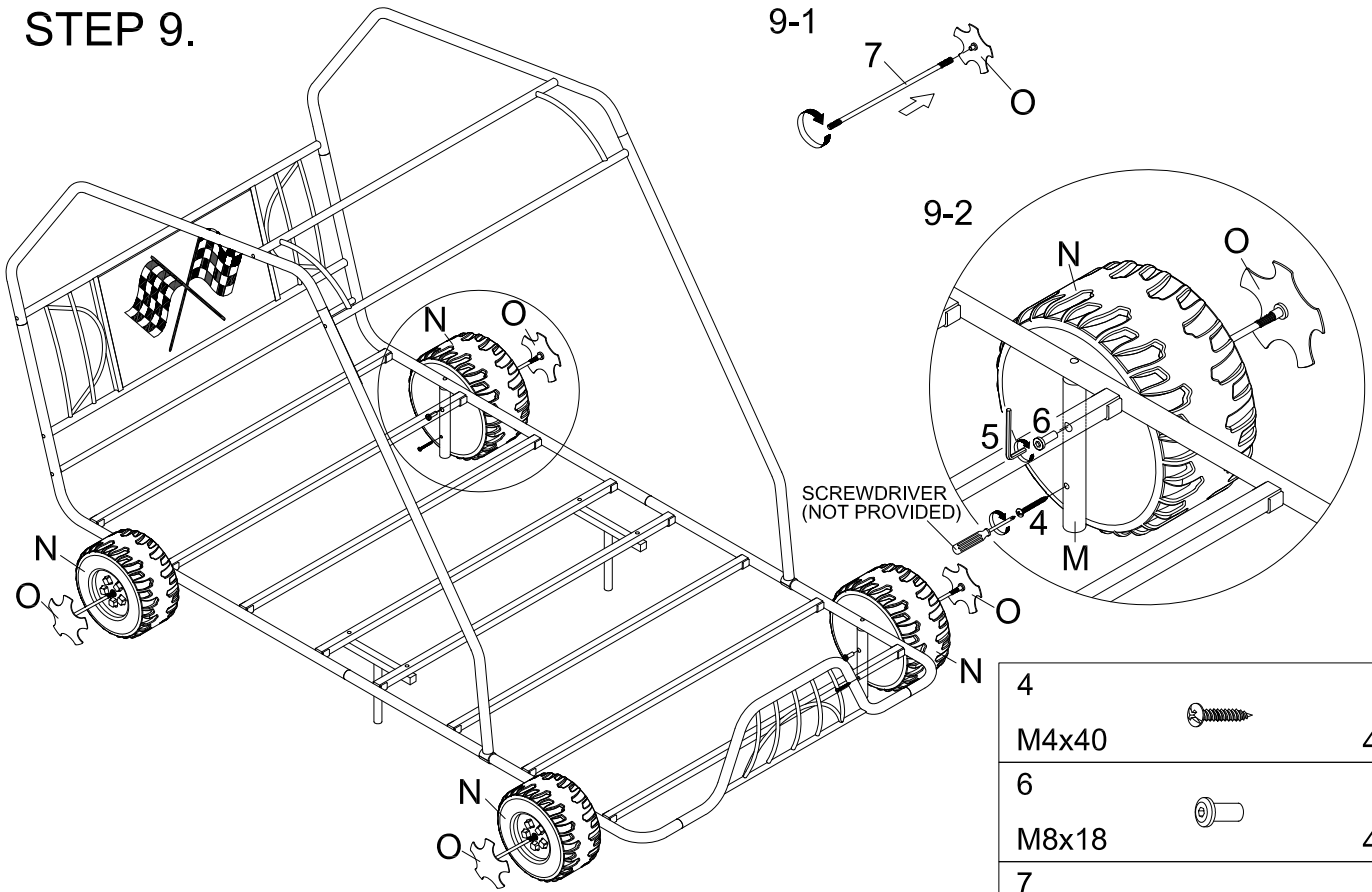
1		4pcs
M6x15		
9		4pcs
Ø16xØ7x1.0		

STEP 8.


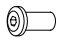
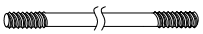


2		4pcs
M6x30		

STEP 9.



SCREWDRIVER
(NOT PROVIDED)

4		4pcs
6		4pcs
7		4pcs

STEP 10.

