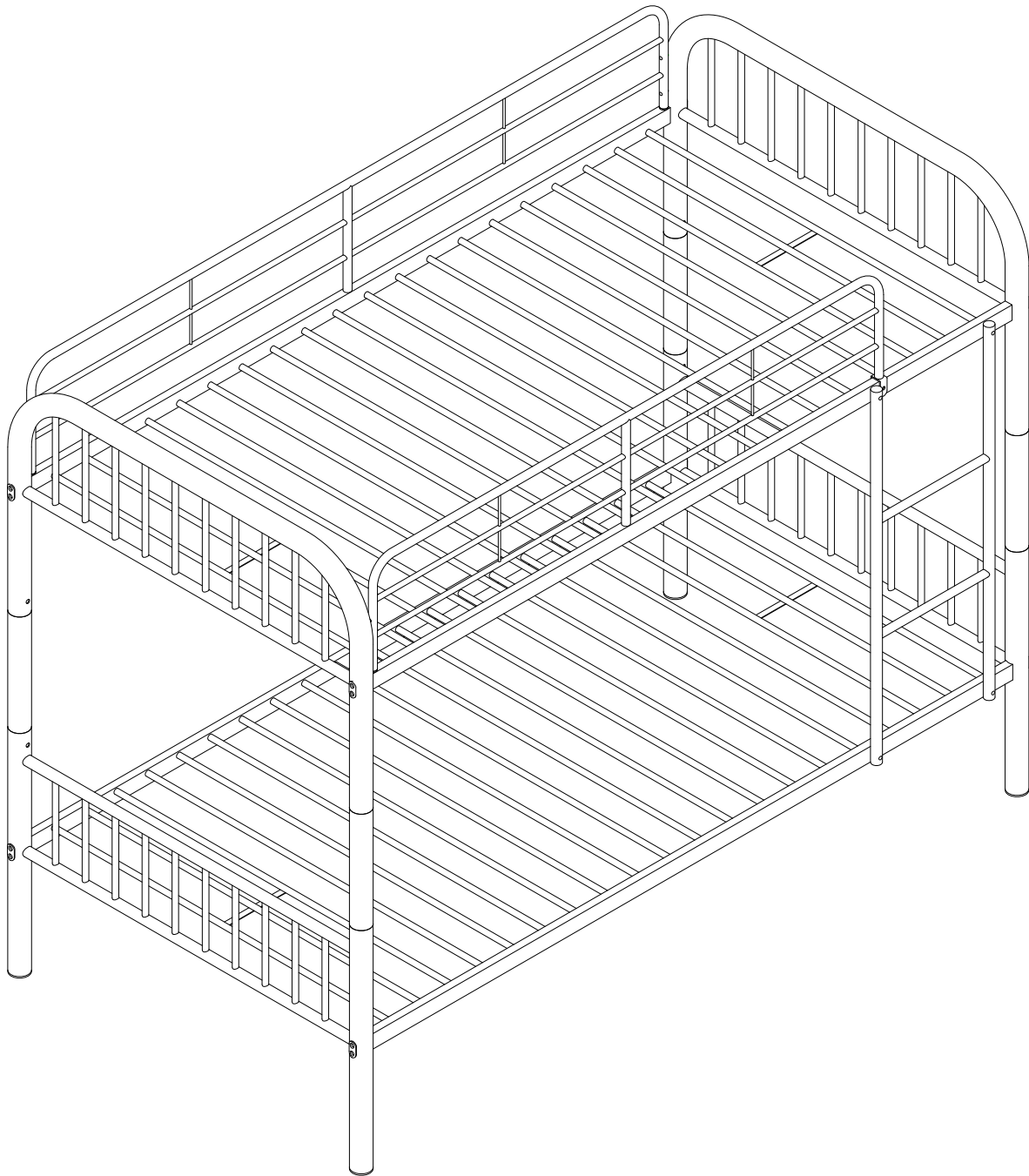


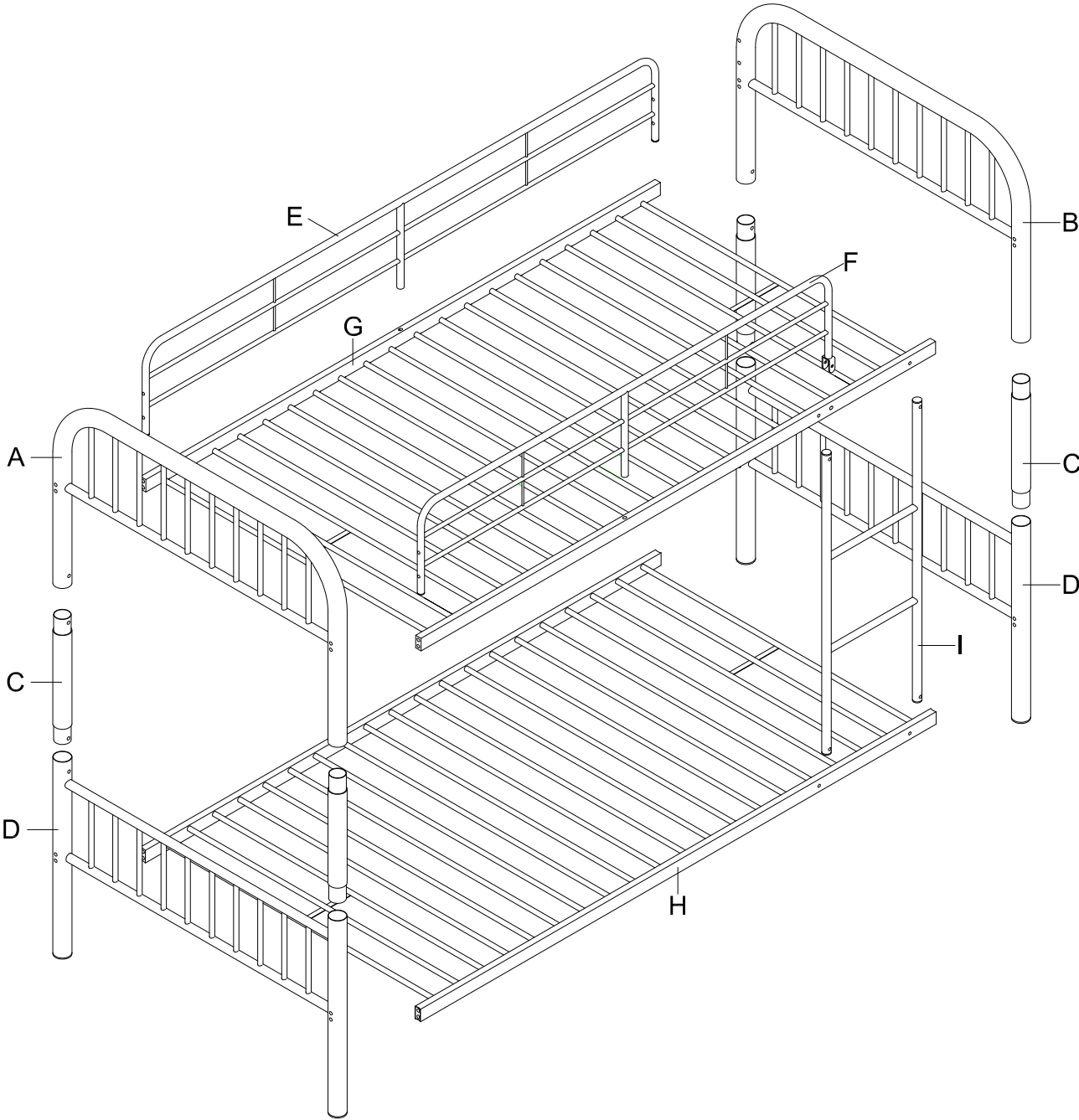
ASSEMBLY INSTRUCTIONS

ITEM NO.:37533/37535

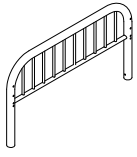
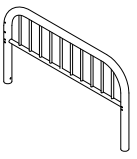

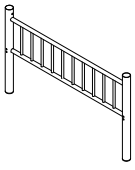
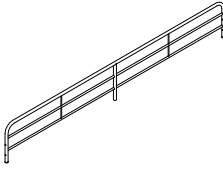
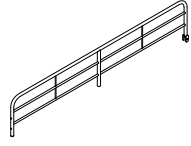
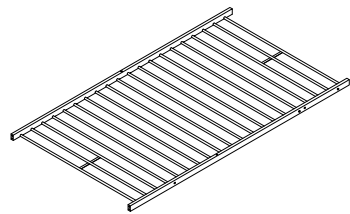
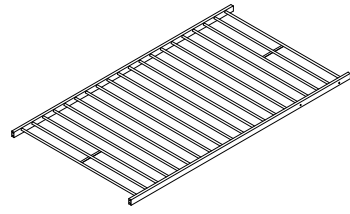
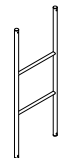


Do not tighten screws until completely assembled.










PARTS IDENTIFICATION

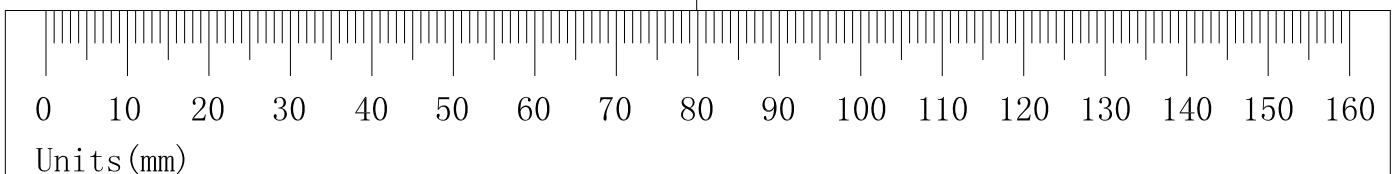


PARTS IDENTIFICATION

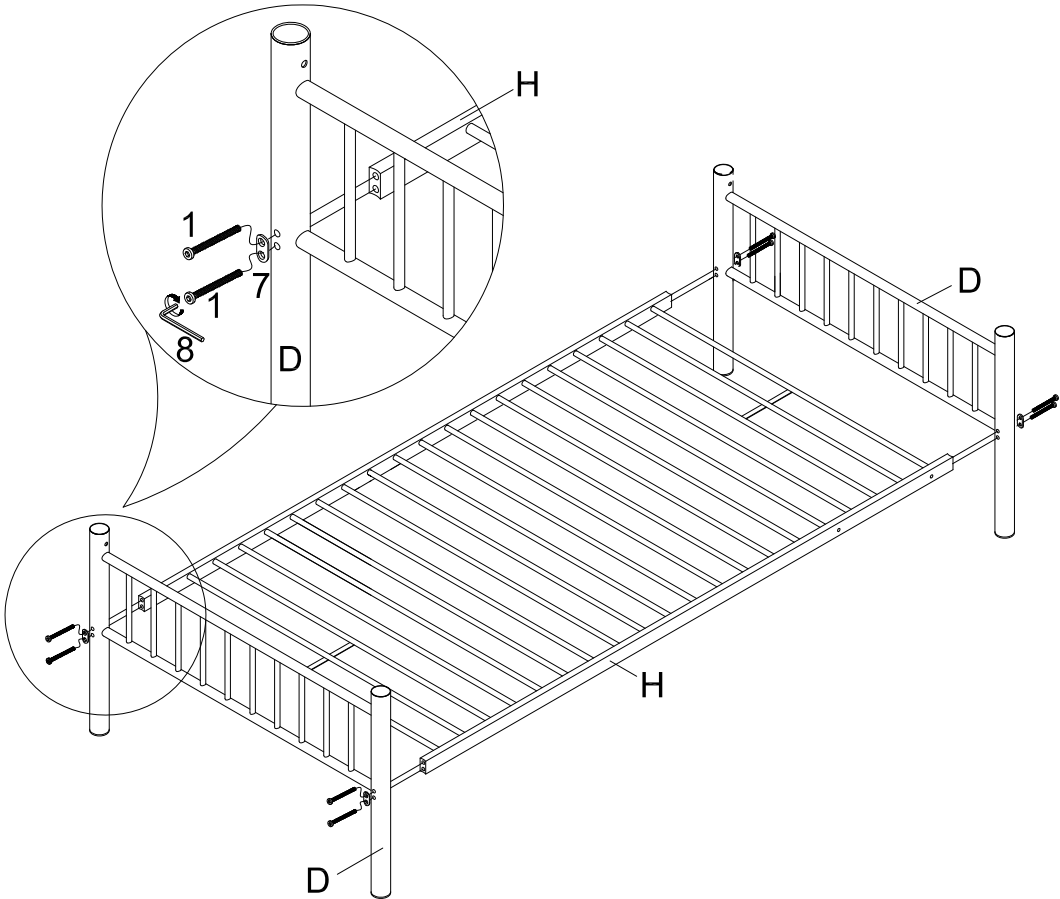
<p>A  LEFT 1pc</p> <p>B  RIGHT 1pc</p> <p>C  4pcs</p> <p>D  2pcs</p> <p>E  1pc</p>	<p>F  1pc</p> <p>G  1pc</p> <p>H  1pc</p> <p>I  1pc</p>
---	--

HARDWARE LIST

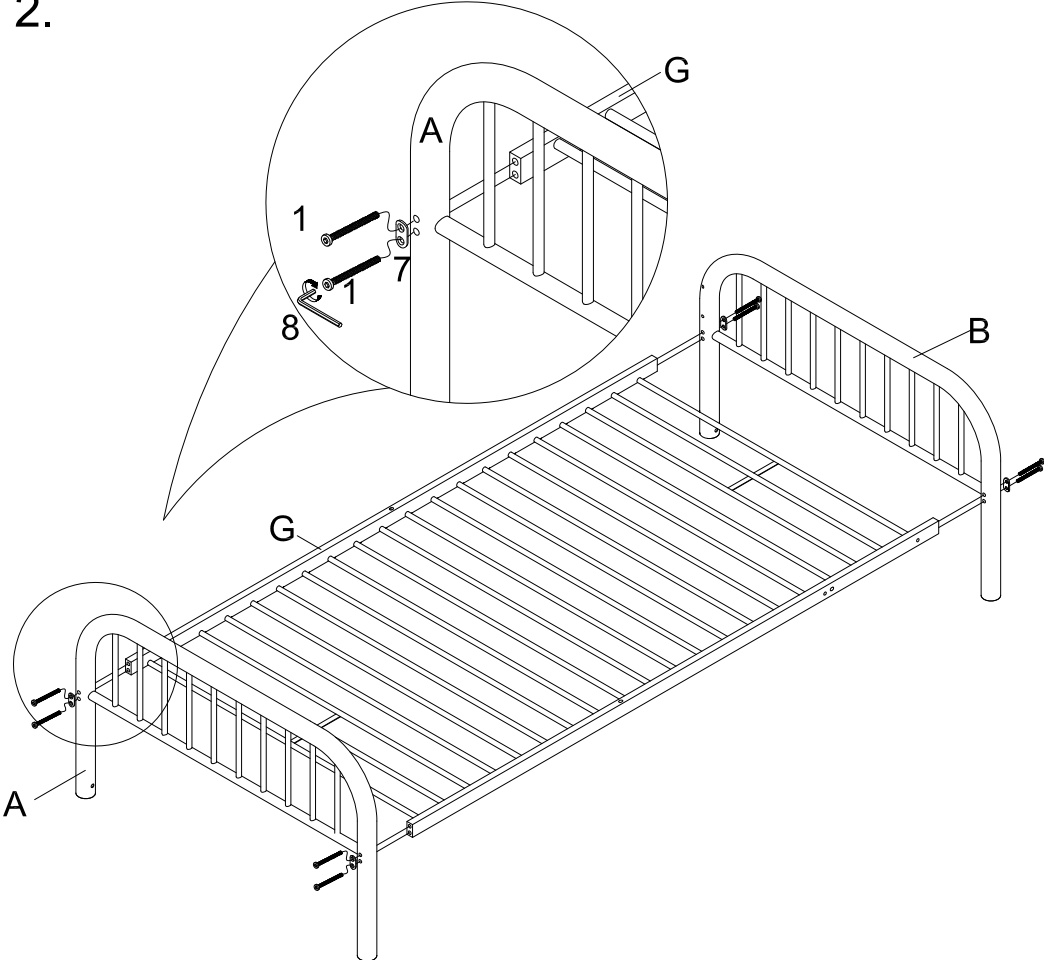
<p>1  M6x75 16pcs</p> <p>2  M6x55 2pcs</p> <p>3  M6x40 4pcs</p> <p>4  M6x35 6pcs</p> <p>5  M6x12 9pcs</p>	<p>6  M6x22 1pc</p> <p>7  20x40x3 8pcs</p> <p>8  4x4 2pcs</p> <p>9  Ø50 8pcs</p>
--	--



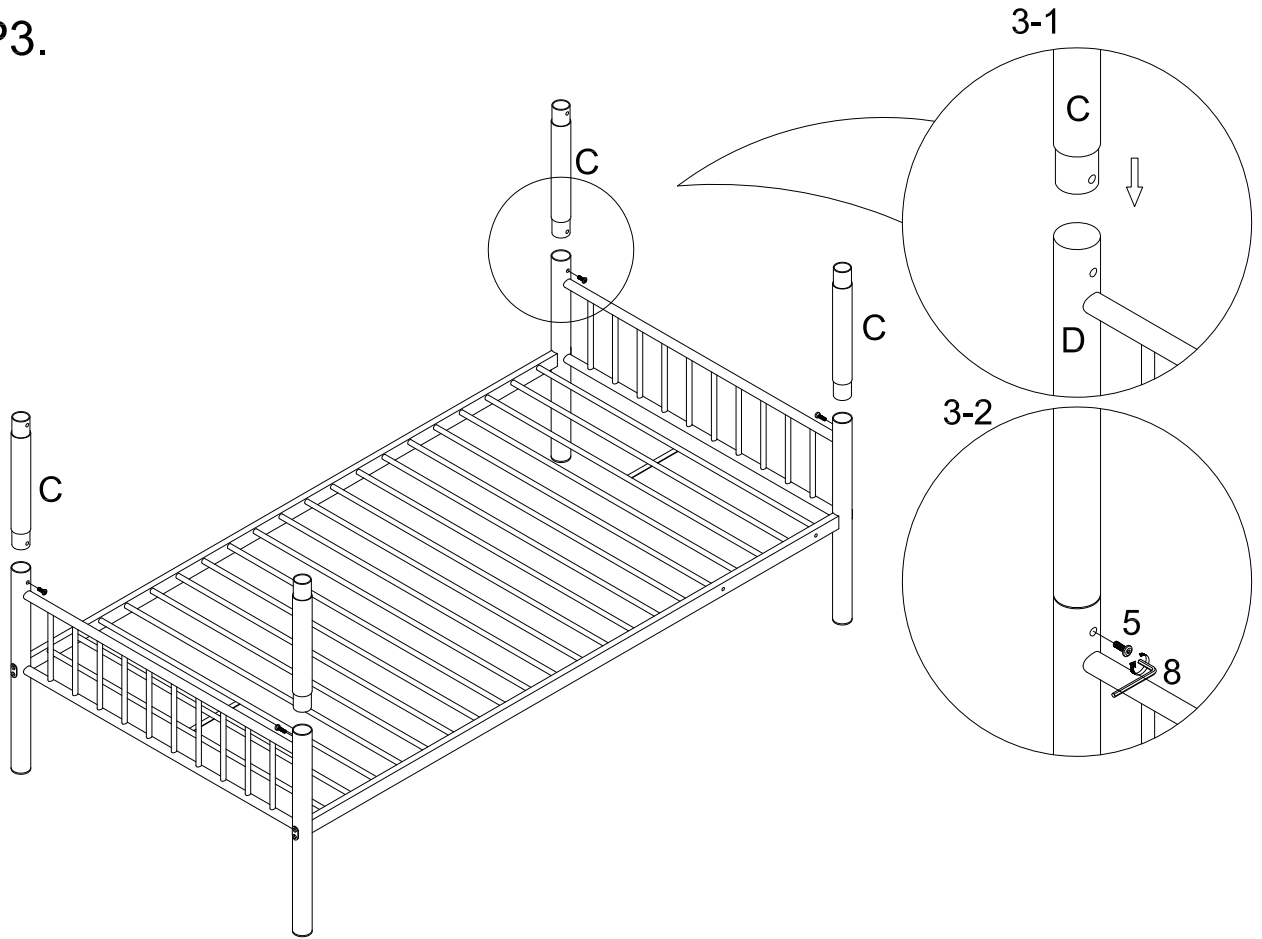
STEP 1.



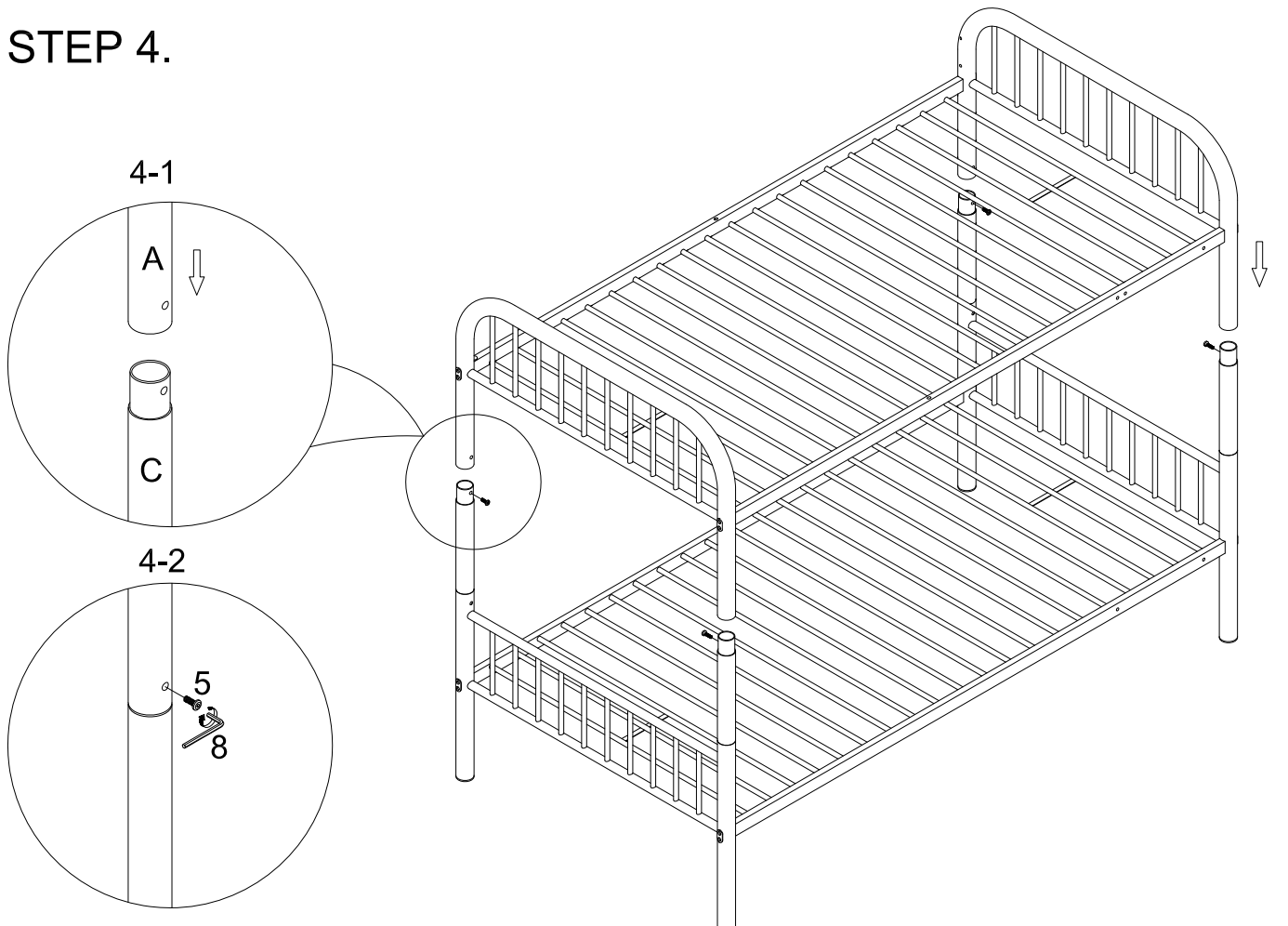
STEP 2.



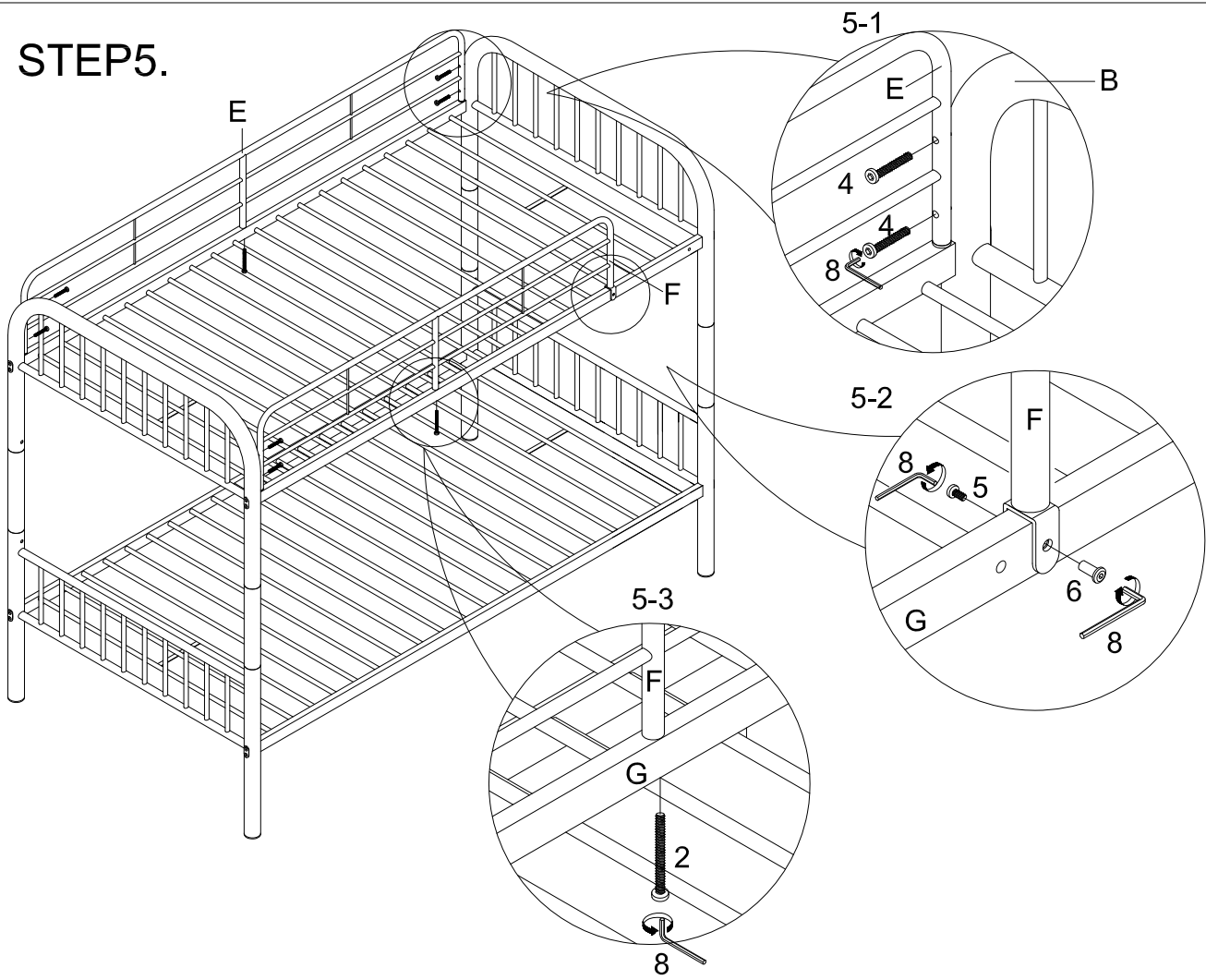
STEP 3.



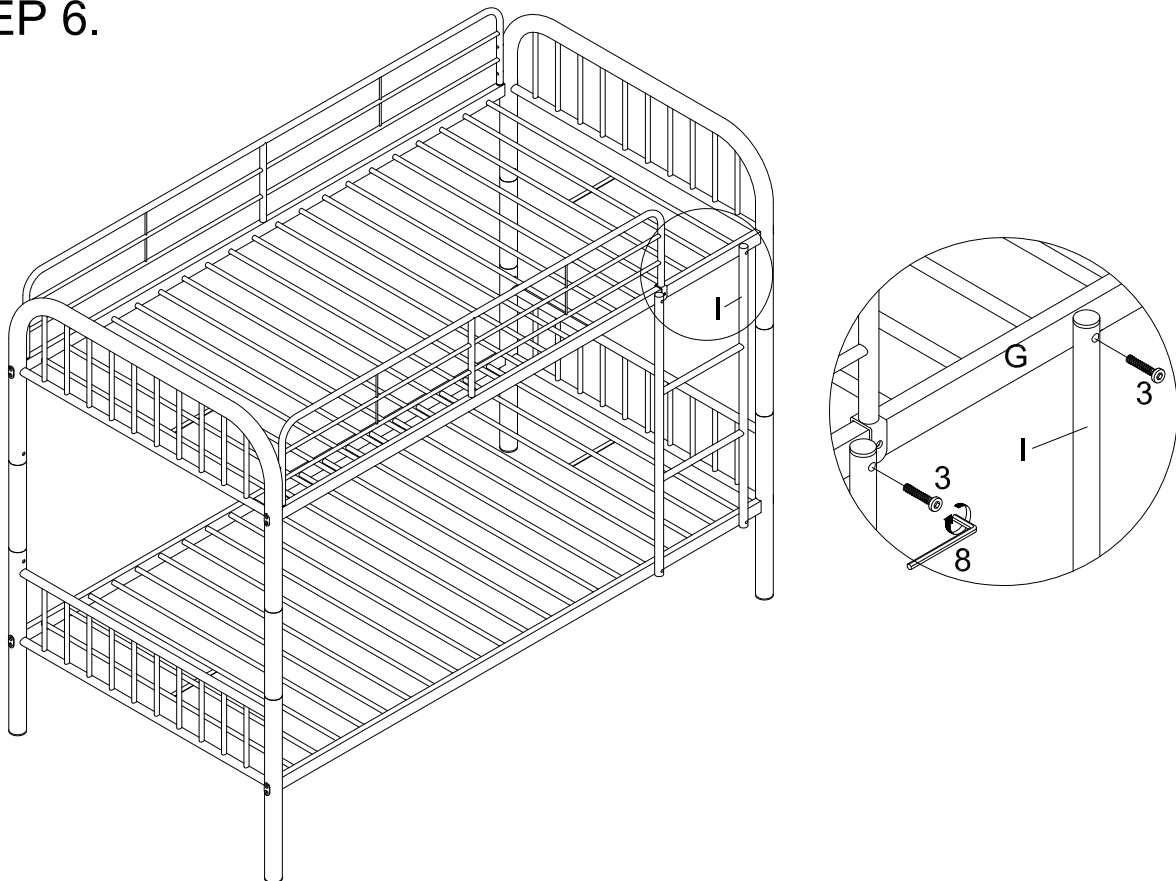
STEP 4.



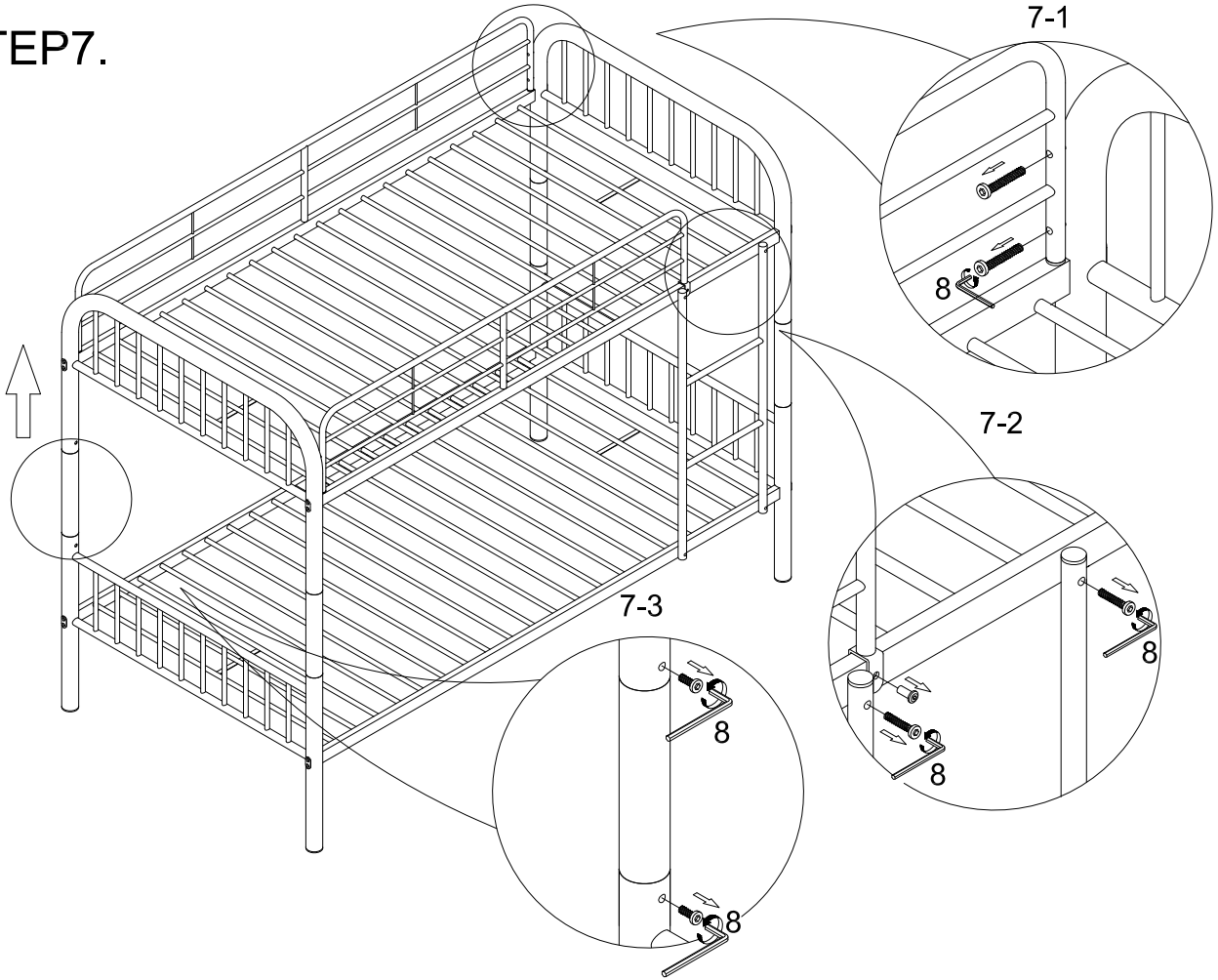
STEP 5.



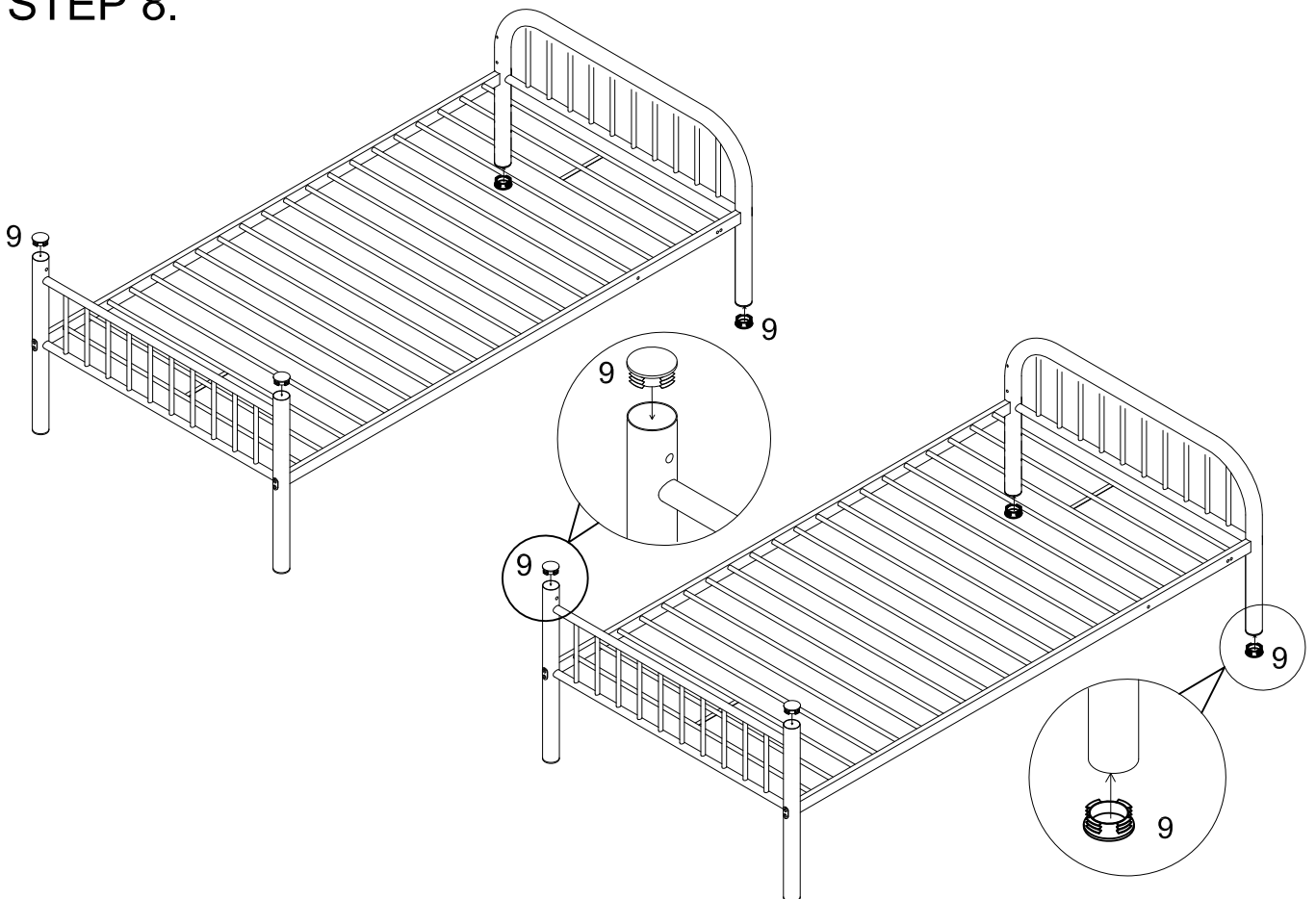
STEP 6.



STEP 7.



STEP 8.



Safety Warnings

1. Follow the information on the warnings appearing on the upper bunk end structure and on the carton . Do not remove warning label from bed.
2. Always use the recommended size mattress or/and mattress support to help prevent the likelihood of entrapment or falls.
3. Surface of mattress must be at least 5 in. below the upper edge of guardrails .
4. Do not allow children less than 6 years of age to use the upper bunk.
5. Periodically check and ensure that the guardrail, ladder ,and other components are in their proper position ,free from damage ,and that all connectors are tight .
6. Prohibit horseplay on/or under the bed and prohibit jumping on the bed.
7. Always use the ladder for entering and leaving the upper bunk.
8. Do not use substitute parts ,Contact manufacturer or dealer for replacement parts.
9. Use of a night light may provide added safety precaution for a child using the upper bunk.
10. Always use guardrails on both long sides of the upper bunk.
11. If the bunk bed will be placed next to a wall, the guardrail that runs the full length of the bed should be placed against the wall to prevent entrapment between the bed and the wall.
12. The use of water or sleep flotation mattress is prohibited .
13. Keep these instructions for future reference.
14. Use only mattress which is 74 3/4 "X39" X6" on upper bunk and for bottom bunk required 74 3/4 "X39" X8"mattress.
15. Prohibit more than one person on upper bunk.

STRANGULATION HAZARD:

16. Never attach or hang items to any part of the bunk bed that are not designed for use with the bed for example, but not limited to hooks, belts, and jump ropes.