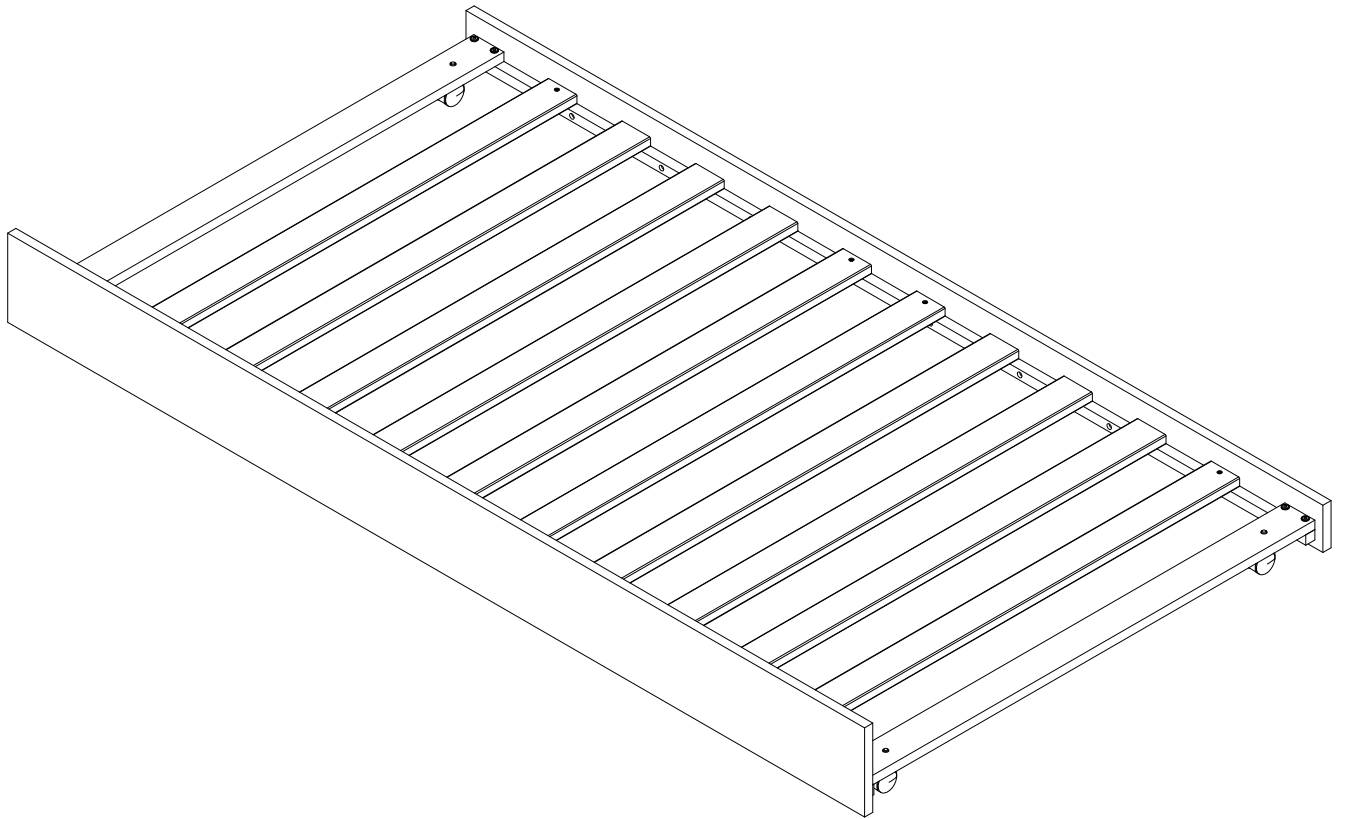
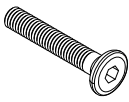

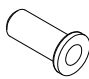
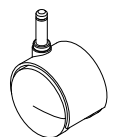
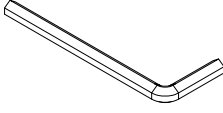


ASSEMBLY INSTRUCTION

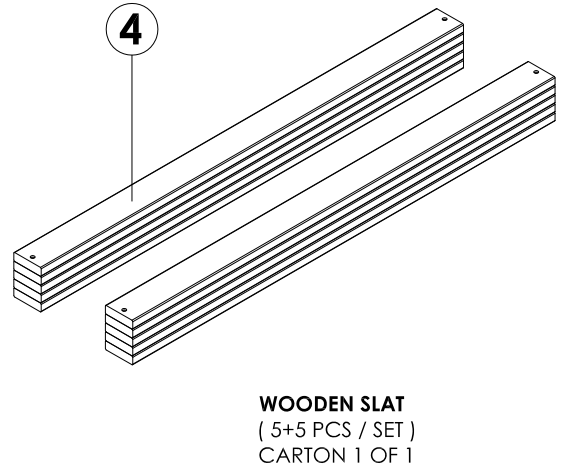
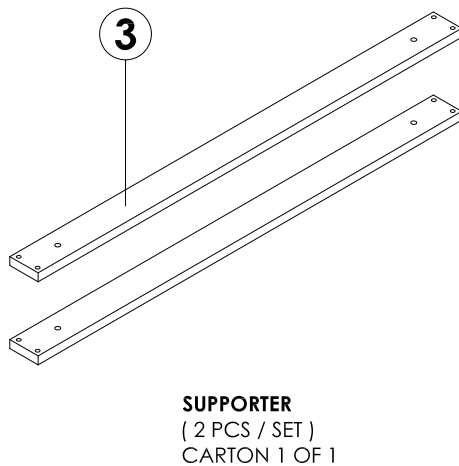
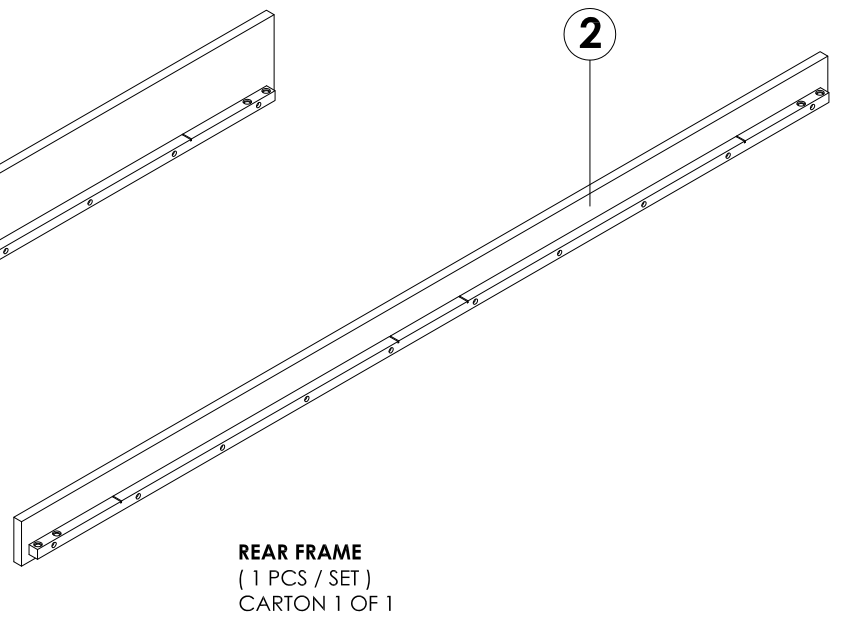
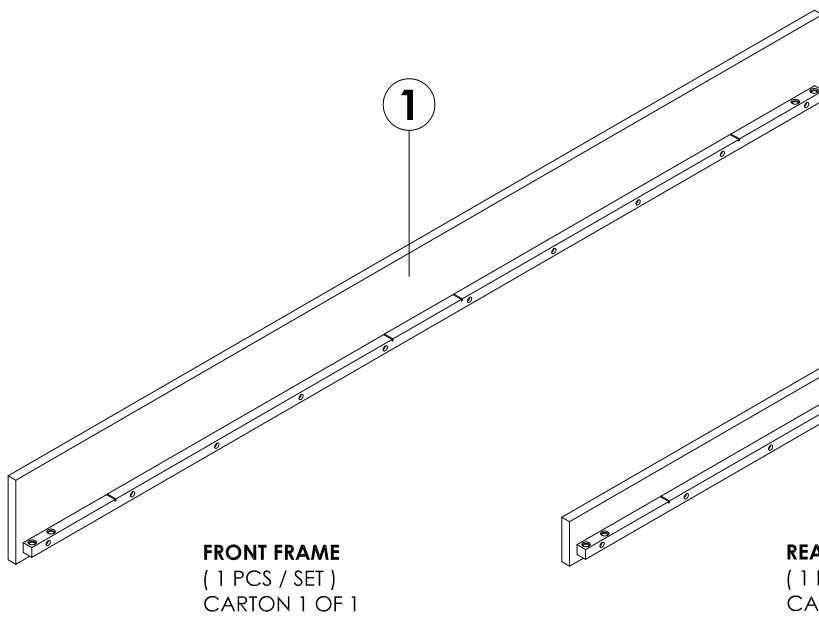
MODEL : 37470 TRUNDLE BED (990 x 1885)MM

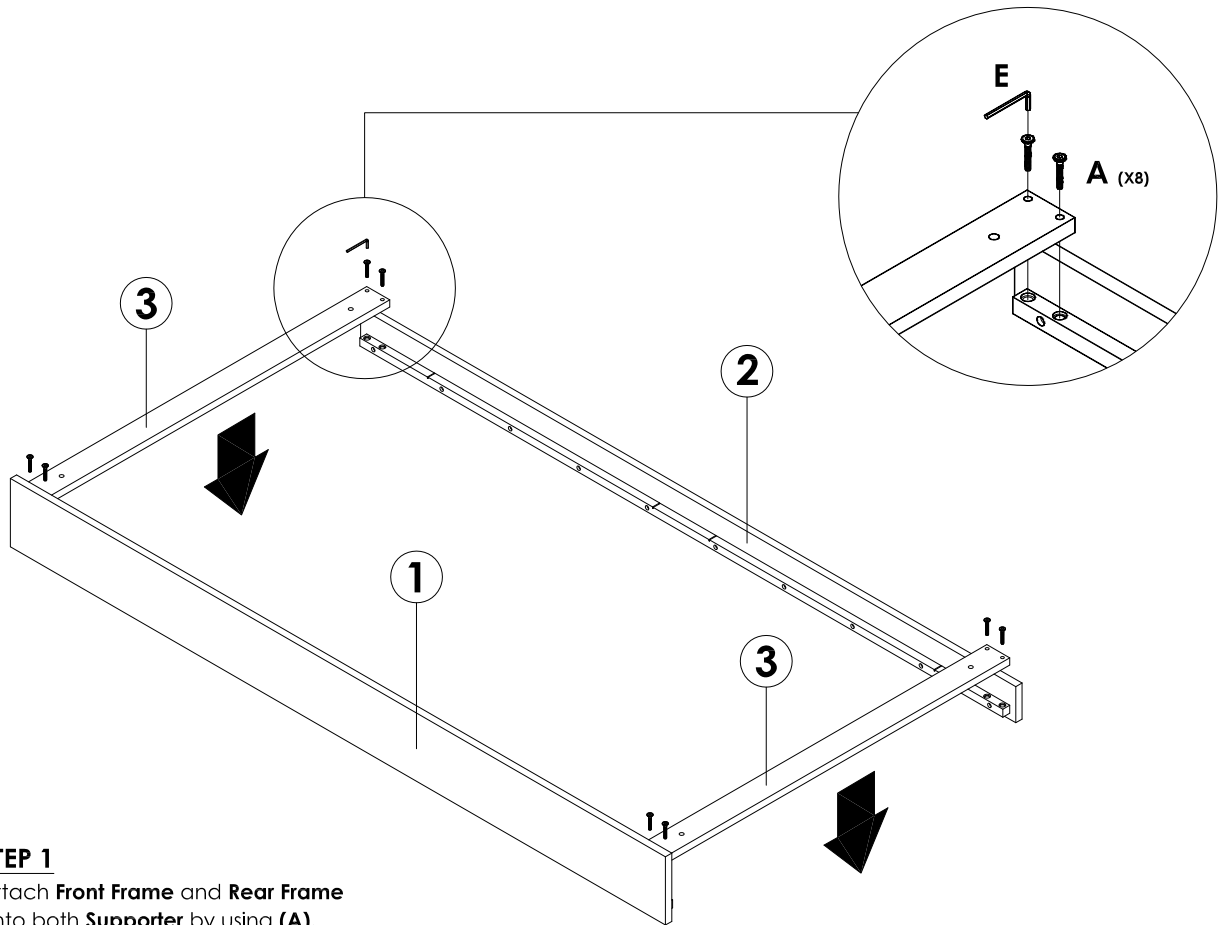


HARDWARE LIST

| | | |
|--|--|---|
| <p>A 8 PCS</p>  <p>JCBC BOLT (M6 x 35MM)</p> | <p>B 8 PCS</p>  <p>CSK C/B SCREW (M4 x 32MM)</p> | <p>C 4 PCS</p>  <p>SOCKET</p> |
| <p>D 4 PCS</p>  <p>CASTOR 40SA-C</p> | <p>E 1 PC</p>  <p>ALLEN KEY (M4 x 60MM)</p> | <p><i>Tool Required :</i> <i>Crosshead Screw Driver</i></p> |

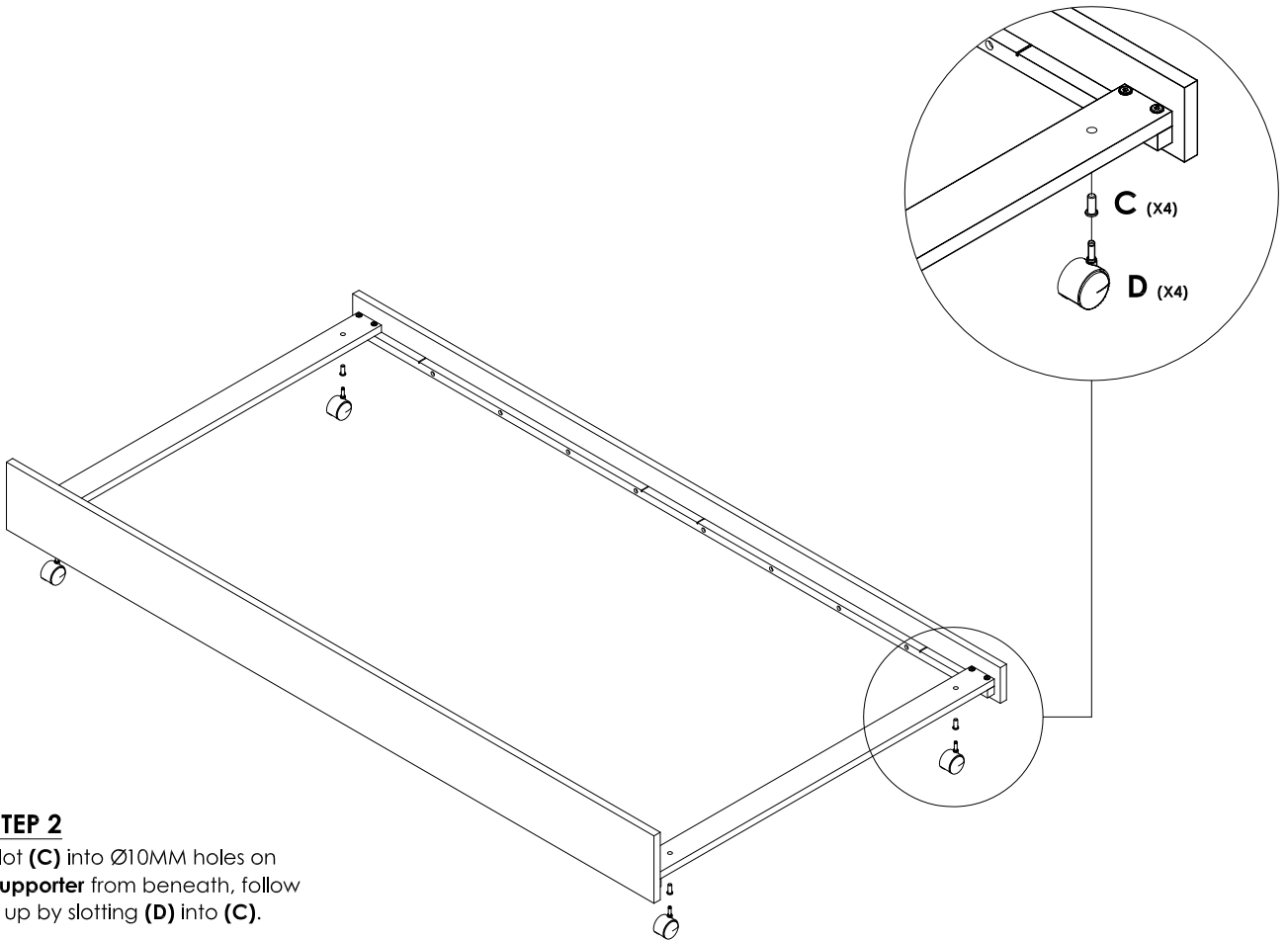
PART LIST





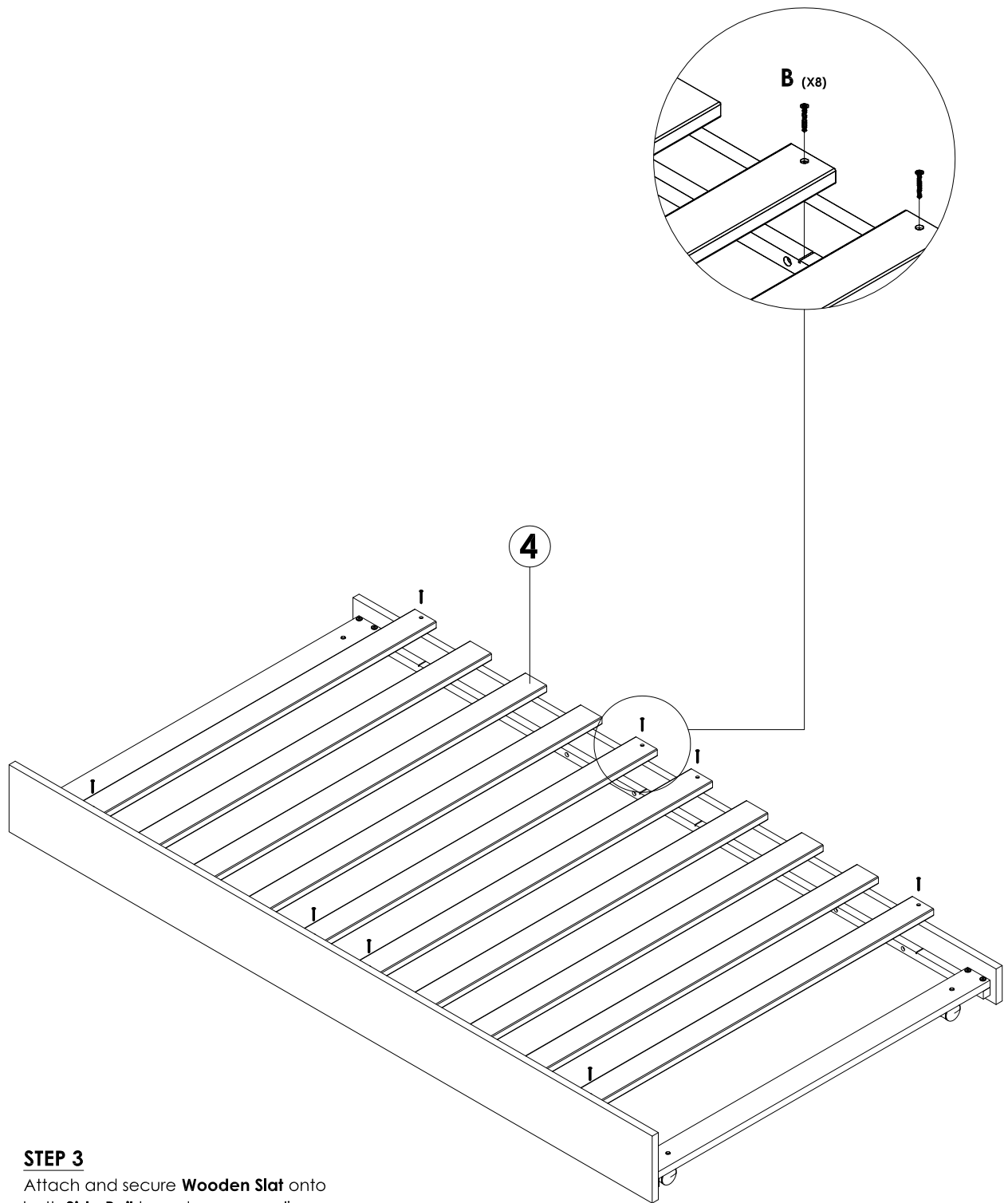
STEP 1

Attach **Front Frame** and **Rear Frame** onto both **Supporter** by using **(A)**, tighten it up by using **(E)**.



STEP 2

Slot **(C)** into $\varnothing 10\text{MM}$ holes on **Supporter** from beneath, follow it up by slotting **(D)** into **(C)**.



STEP 3

Attach and secure **Wooden Slat** onto both **Side Rail** based on groove lines given by using **(B)**, tighten it up by using a Crosshead Screw Driver. Go on to complete the entire assembly.