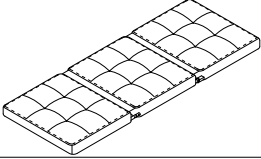

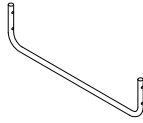
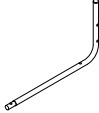

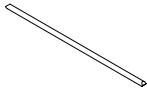


ASSEMBLY INSTRUCTION FOR ACME FURNITURE

MODEL# 37276 Folding Bed

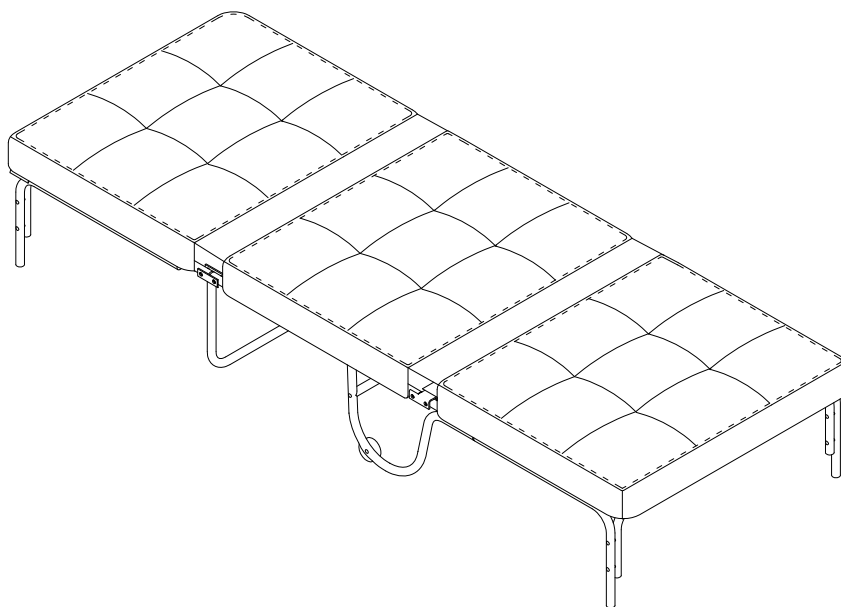
Thank you for purchasing this quality product. Be sure to check all packing materials carefully for small parts which may have come loose inside the carton during shipment. Separate, identify, and count all parts and metal hardware. Compare with parts list to be sure all parts are present. If any part(s) are missing or damaged, please contact your local furniture dealer. For efficient and speedy service, please indicate the model number and code letter of the part(s) needed.

*** Do not fully tighten screws until fully assembled ***

COMPONENT PARTS		
DECERPTION	PART NAME	Q'TY(PCS)
①	Cushion 	1pc
②	Rear side tube 	2pcs
③	End cross tube 	2pcs
④	Front side tube 	2pcs
⑤	Middle side tube 	2pcs
⑥	Middle across tube 	1pc

HARDWARE REQUIRED:

(A)	Bolt 1/4"x1-1/8" - 20pcs
(B)	Bolt 1/4"x3/4" - 2pcs
(C)	Nut M6x18 - 10pcs
(D)	Bolt 1/4"x2-1/8" - 2pcs
(E)	Wheel ø50 - 2pcs
(F)	Nut M6 - 2pcs
(G)	Washer - 6pcs
(H)	Allen Wrench M4 - 2pcs
(I)	Adjustable foot - 2pcs
(J)	Open End Wrench - 1pc



Attention:

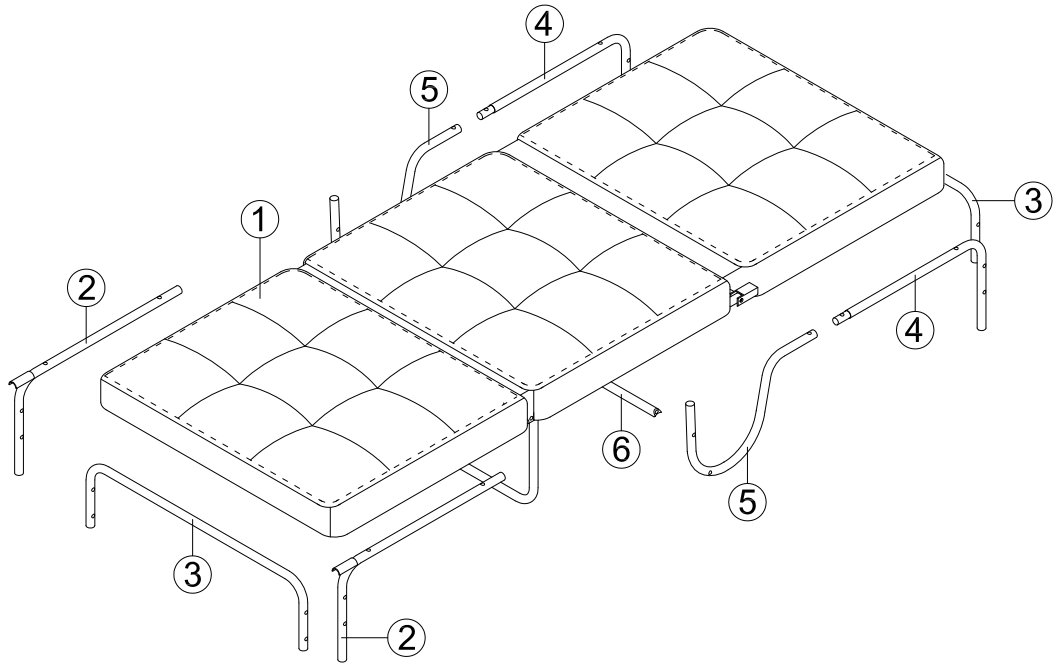
***Mattresses not included.

***Some number parts listed on the instruction sheet may not be in parts bag as they may already be assemble.
Carefully check parts and packing materials prior to ordering replacements.

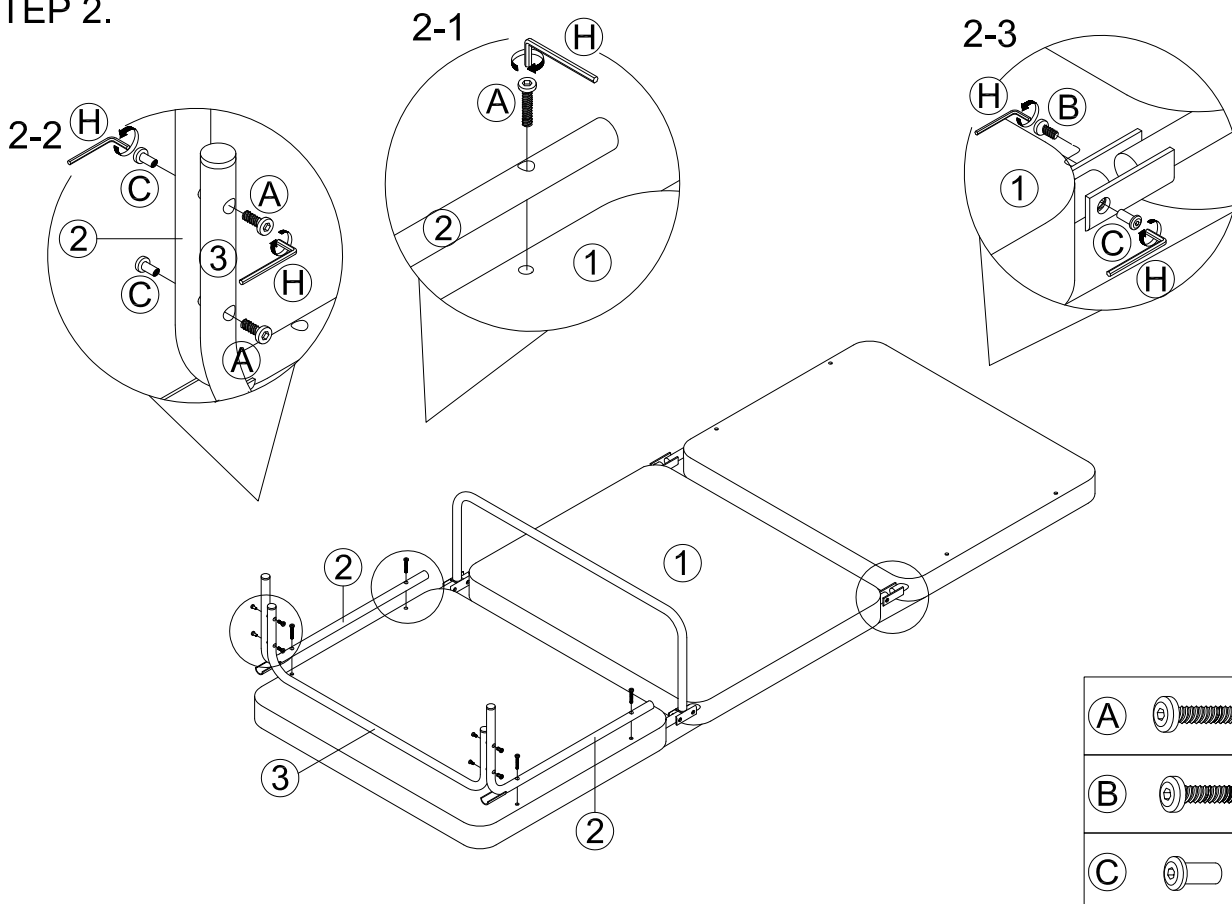
How to Assemble:

STEP 1.

Exploded View

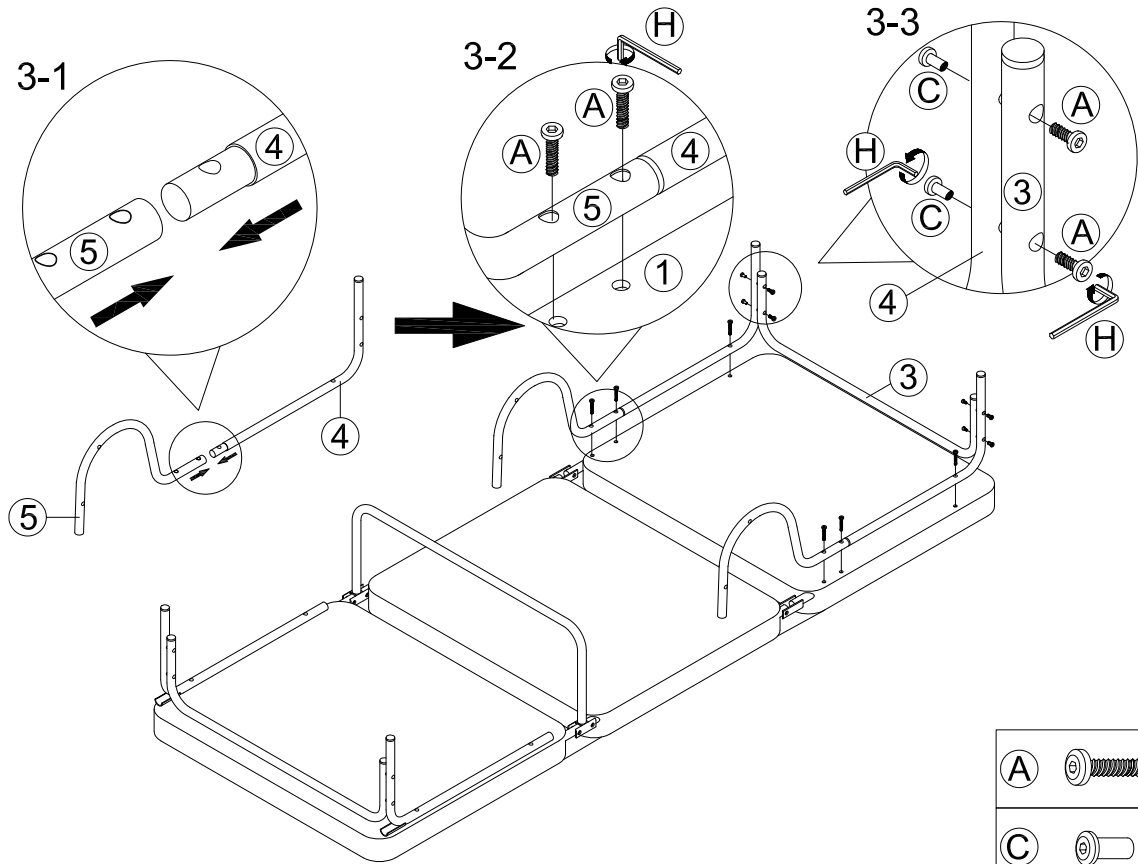


STEP 2.



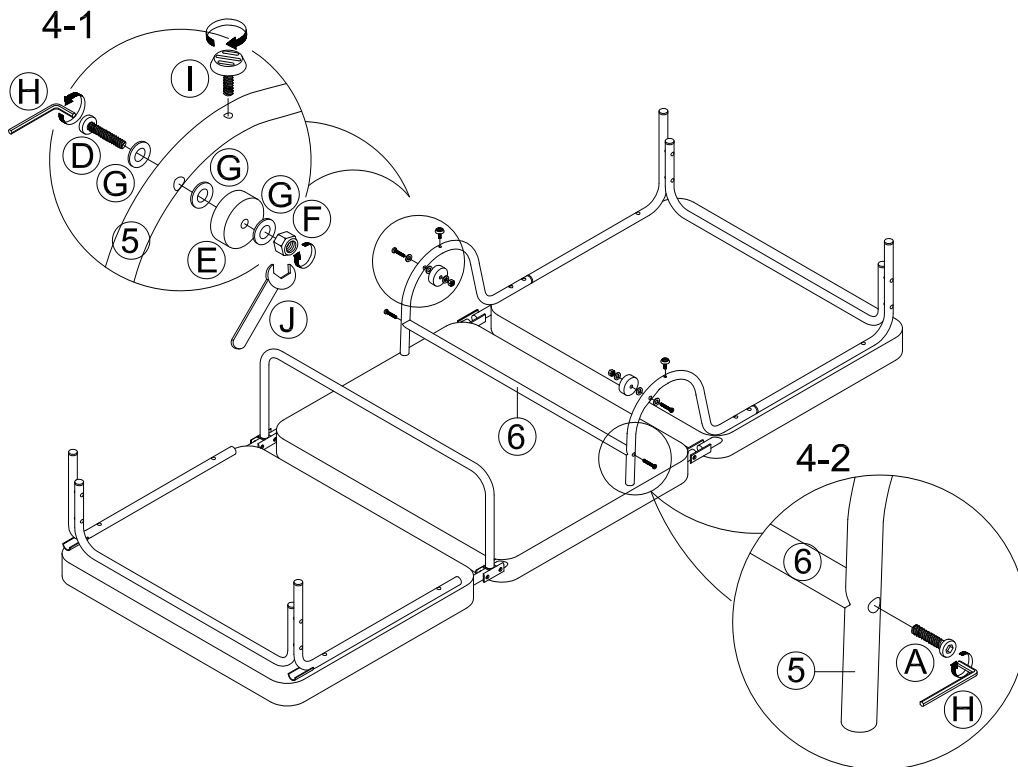
How to Assemble:

STEP 3.



(A)		10pcs
(C)		4pcs

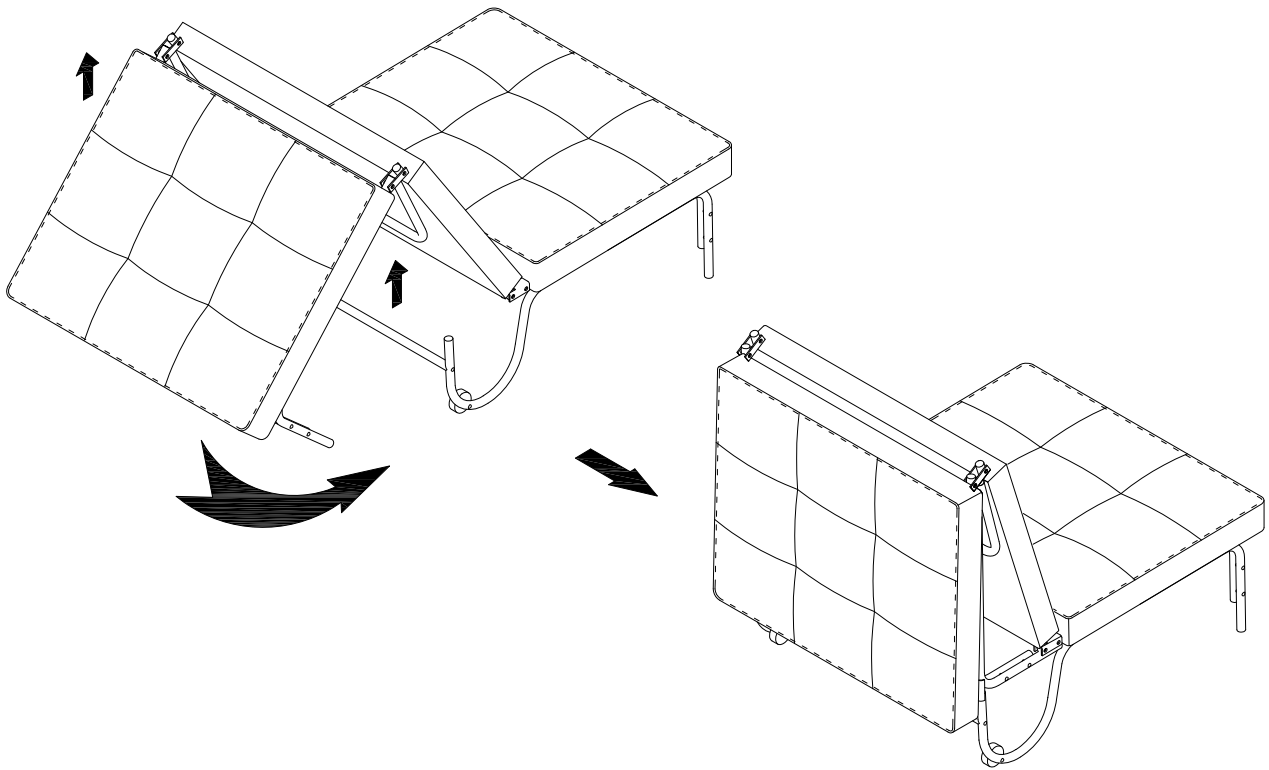
STEP 4.



(A)		2pcs
(D)		2pcs
(E)		2pcs
(F)		2pcs
(G)		6pcs
(I)		2pcs

How to Assemble:

STEP 5.



STEP 6.

