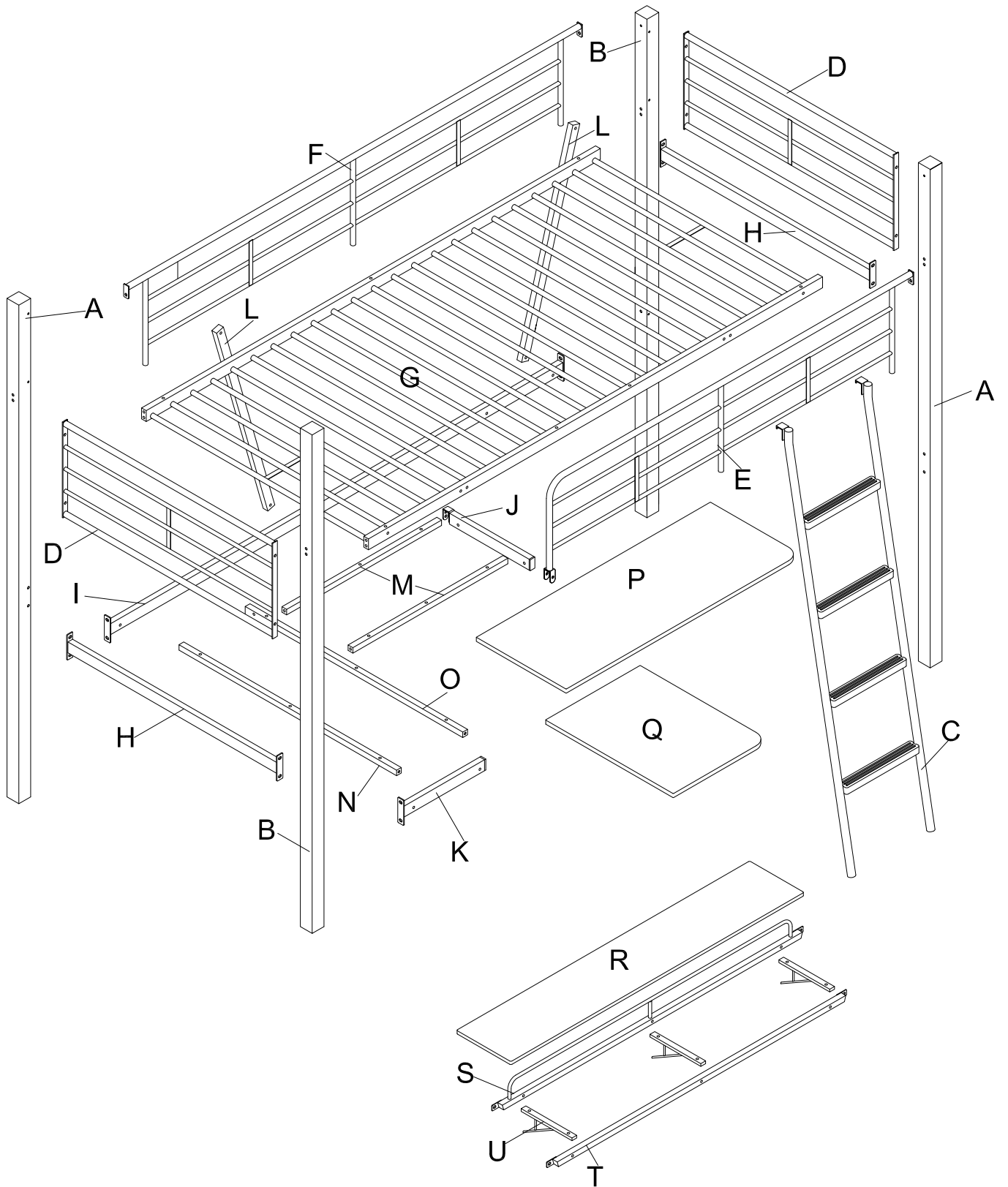


ASSEMBLY INSTRUCTIONS



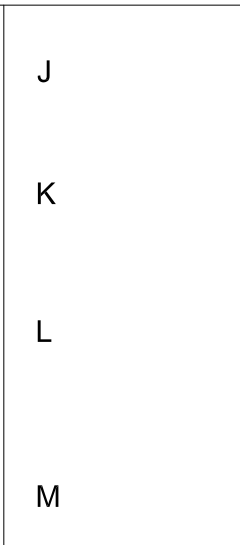


















ITEM NO.:37275





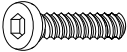
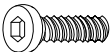
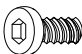







PARTS IDENTIFICATION

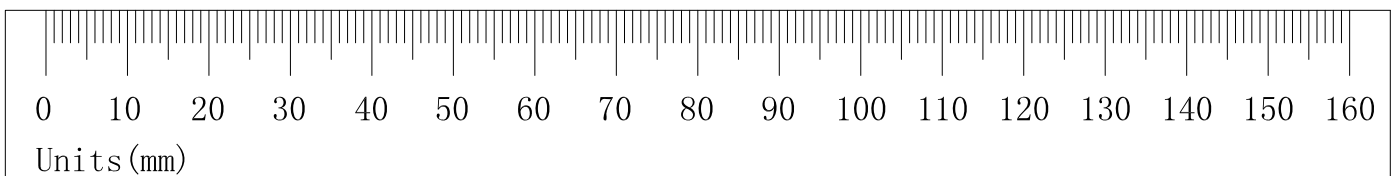


PARTS IDENTIFICATION

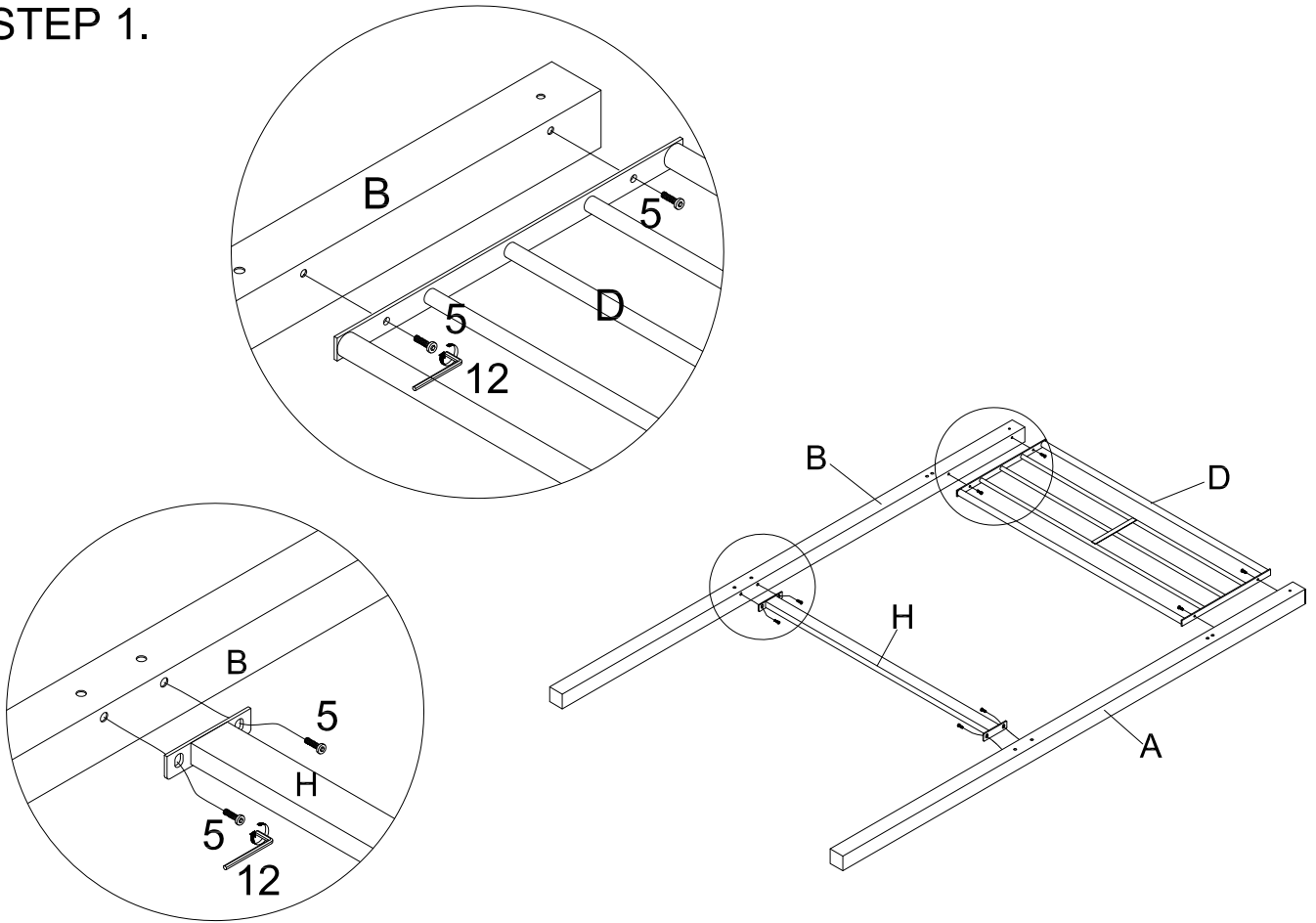
			<p>J  1pc</p>
<p>A)x2pcs</p>	<p>B)x2pcs</p>	<p>C)x1pc</p>	<p>K  1pc</p>
<p>D </p>	<p>2pcs</p>	<p>L  2pcs</p>	<p>M  2pcs</p>
<p>E </p>	<p>1pc</p>	<p>N  1pc</p>	<p>O  1pc</p>
<p>F </p>	<p>1pc</p>	<p>P  1pc</p>	<p>Q  1pc</p>
<p>G </p>	<p>1pc</p>	<p>R  1pc</p>	<p>S  1pc</p>
<p>H </p>	<p>2pcs</p>	<p>T  1pc</p>	<p>U  3pcs</p>
<p>I </p>	<p>1pc</p>		

HARDWARE LIST

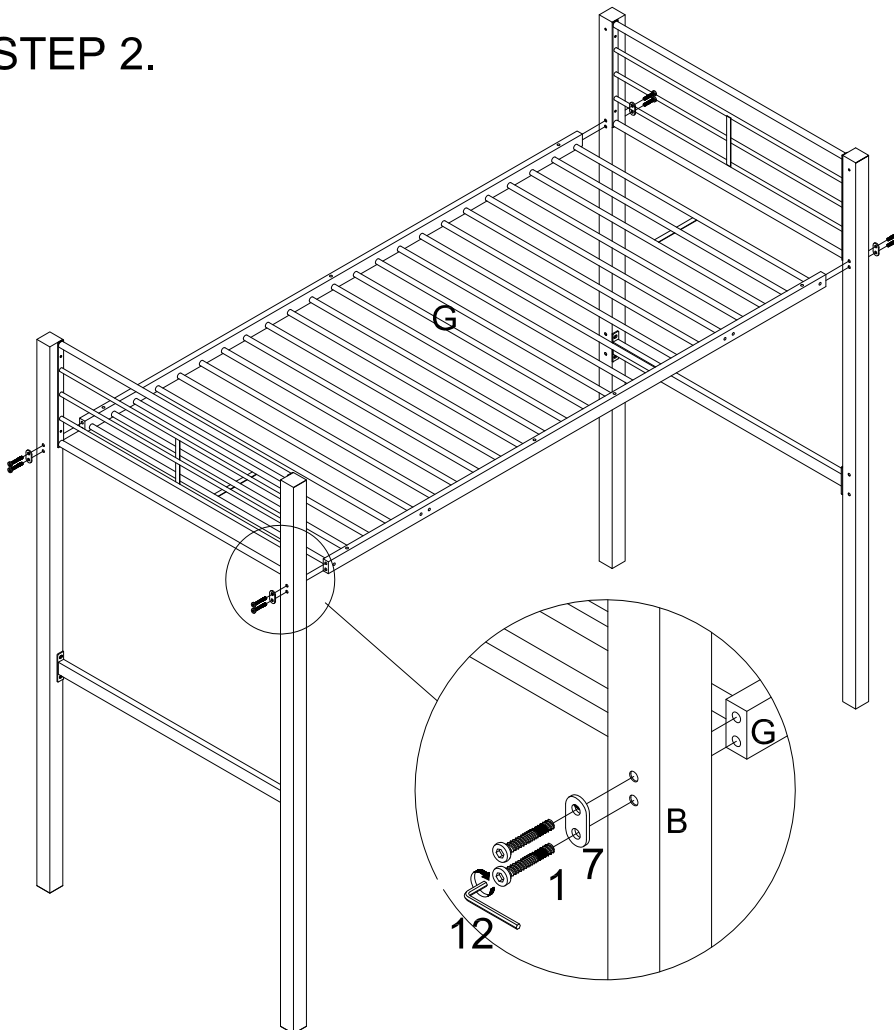
1		M6x75	8pcs
2		M6x60	5pcs
3		M6x40	8pcs
4		M6x30	11pcs
5		M6x15	30pcs
6		M6x22	1pc
7			4pcs
8		Ø12xØ5x1	18pcs
9		ø14xø6X1	24pcs
10		M4x30	12pcs
11		M4x20	6pcs
12		4x4	2pcs



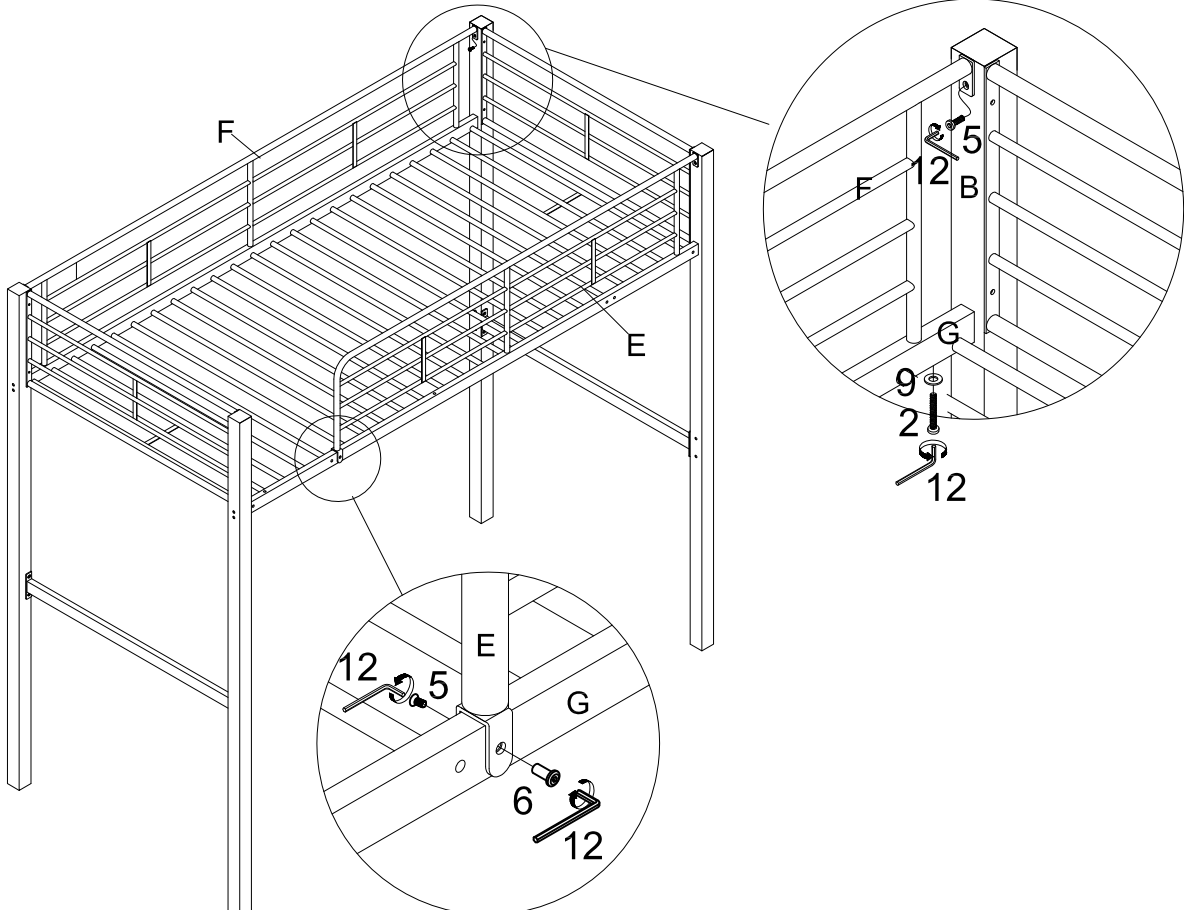
STEP 1.



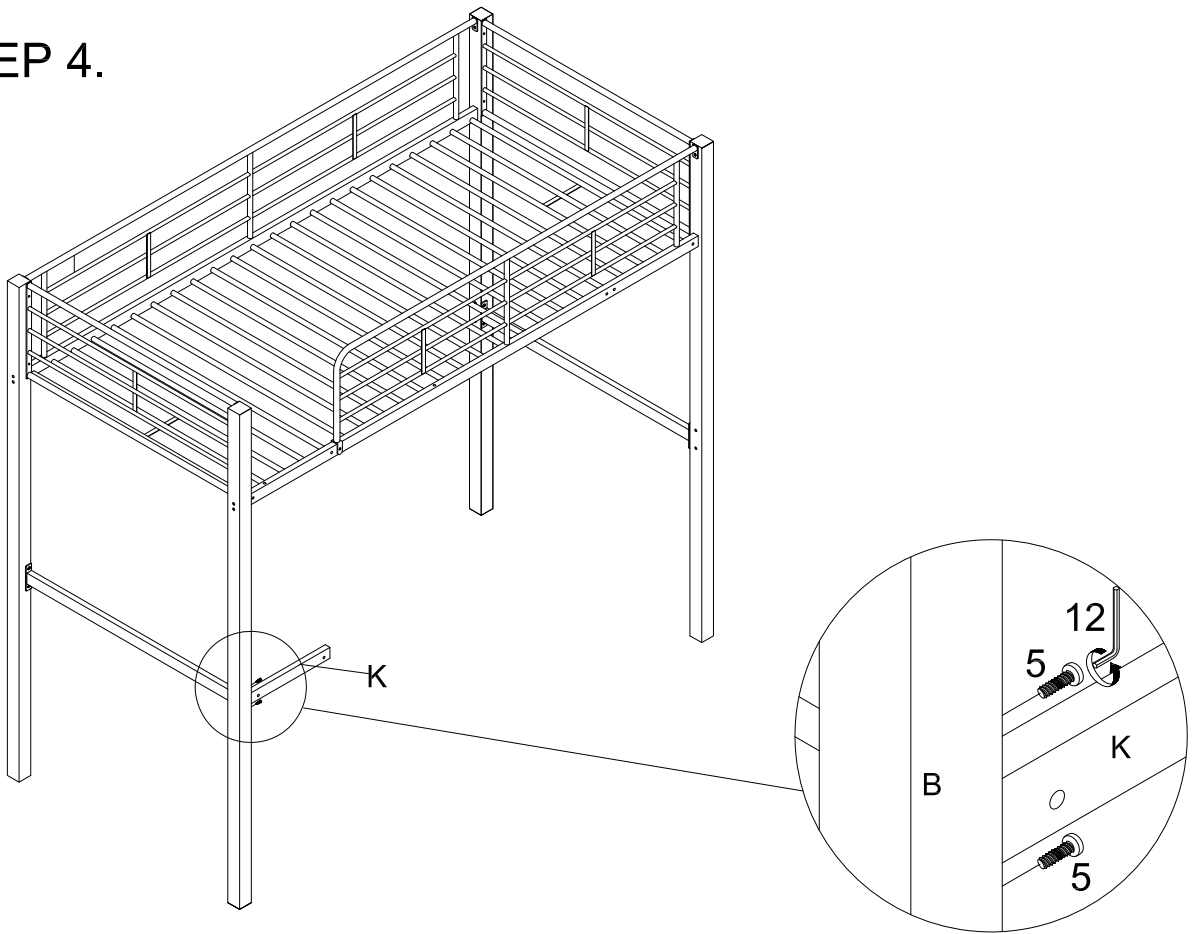
STEP 2.



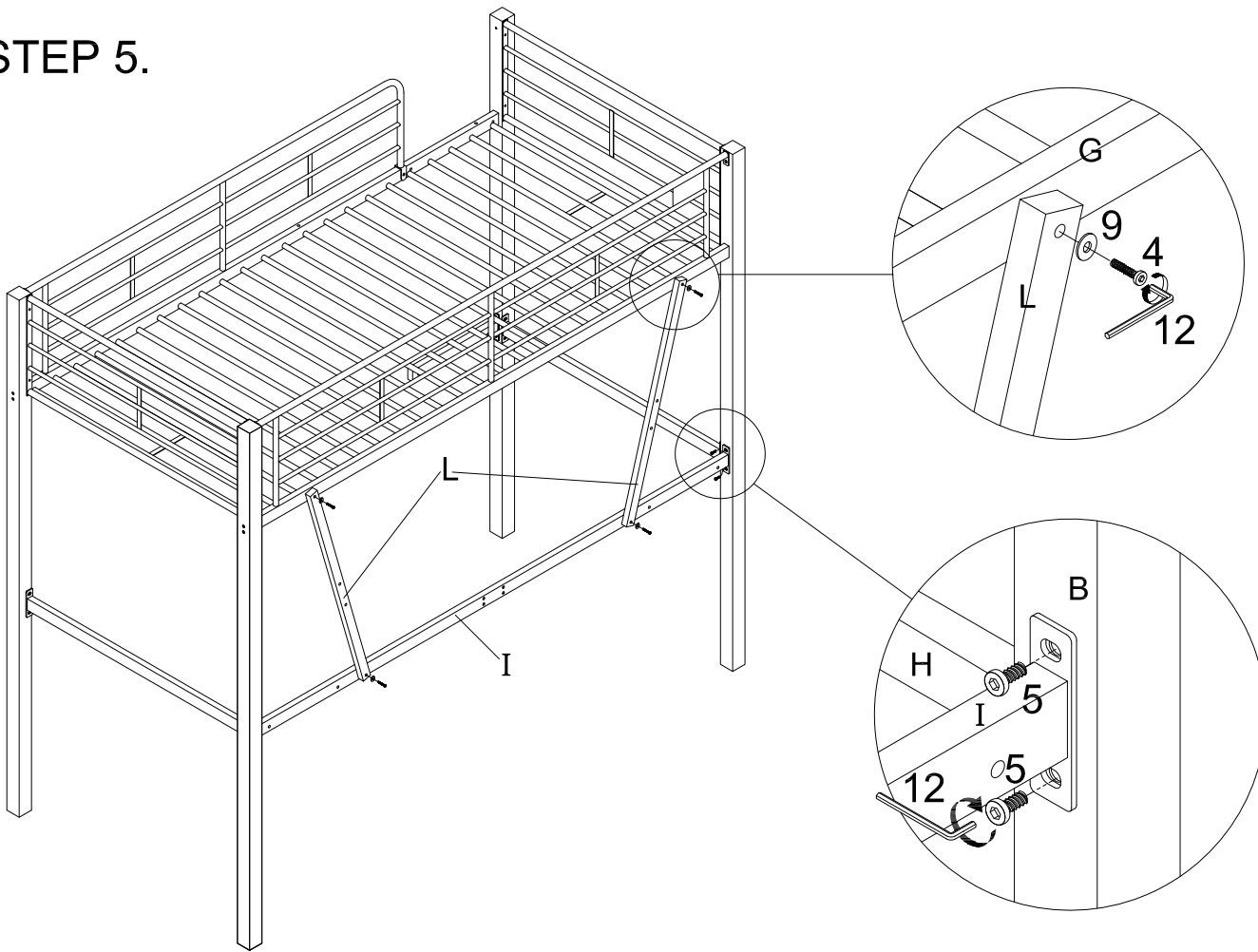
STEP 3.



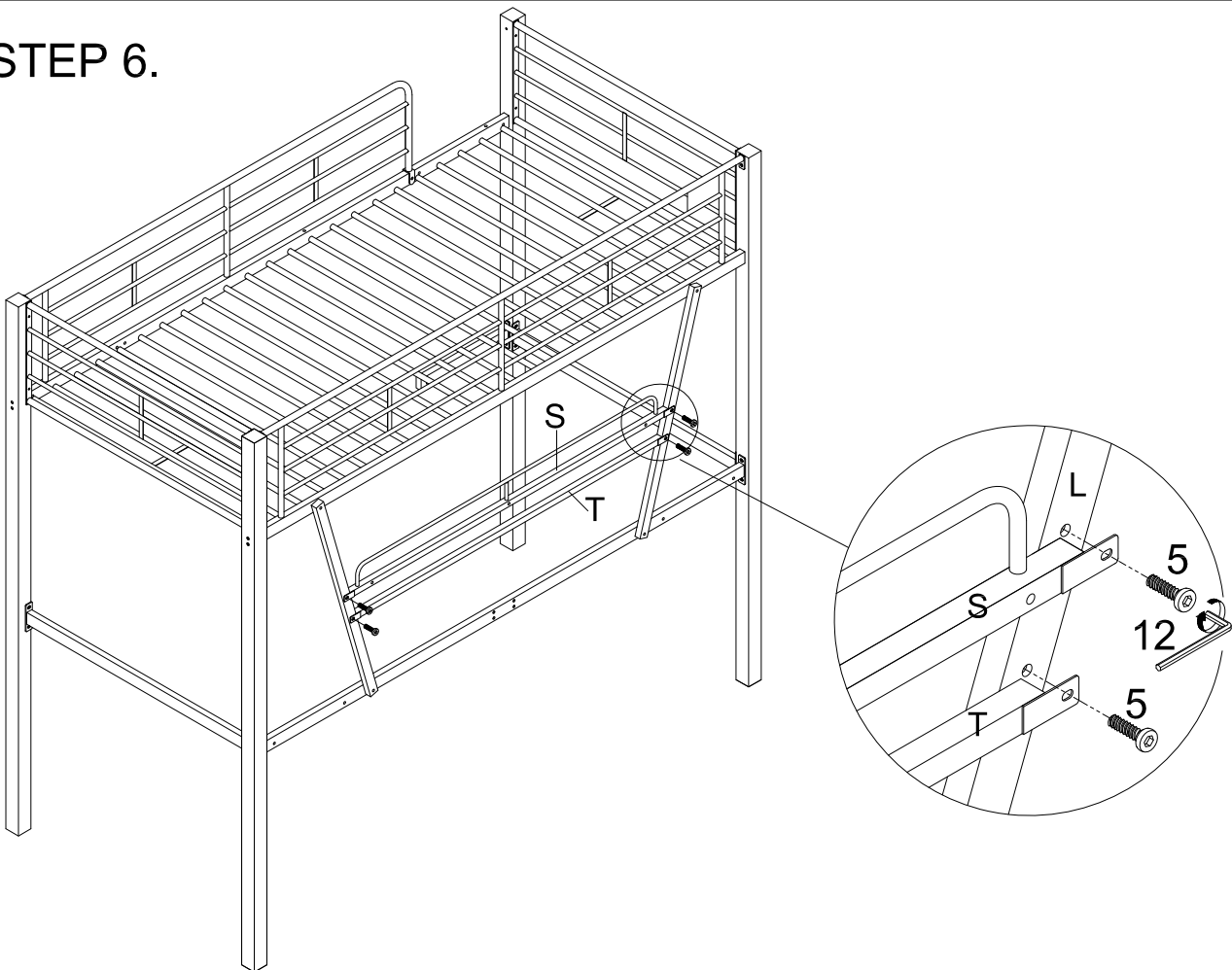
STEP 4.



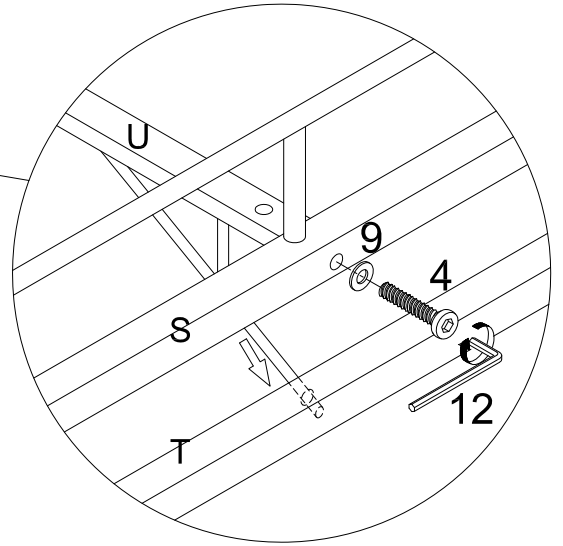
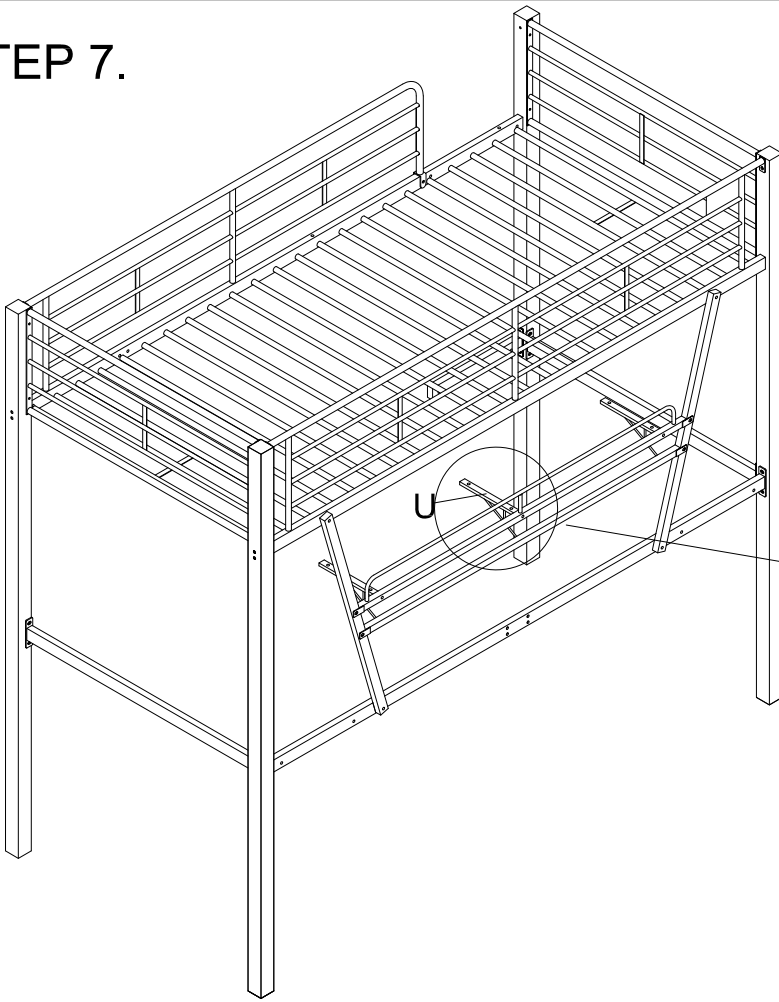
STEP 5.



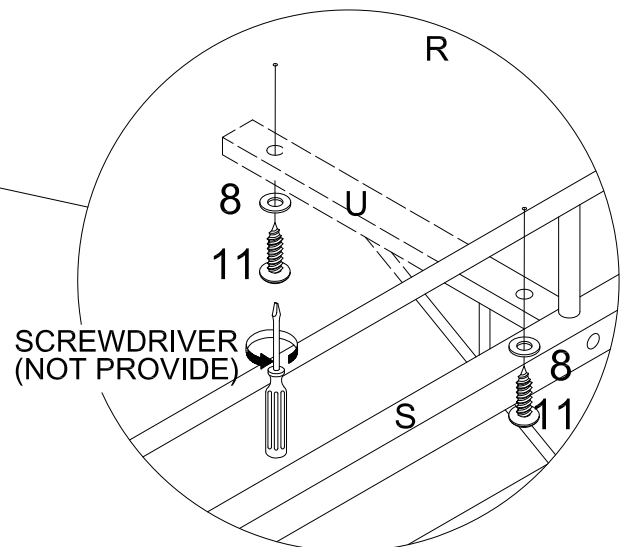
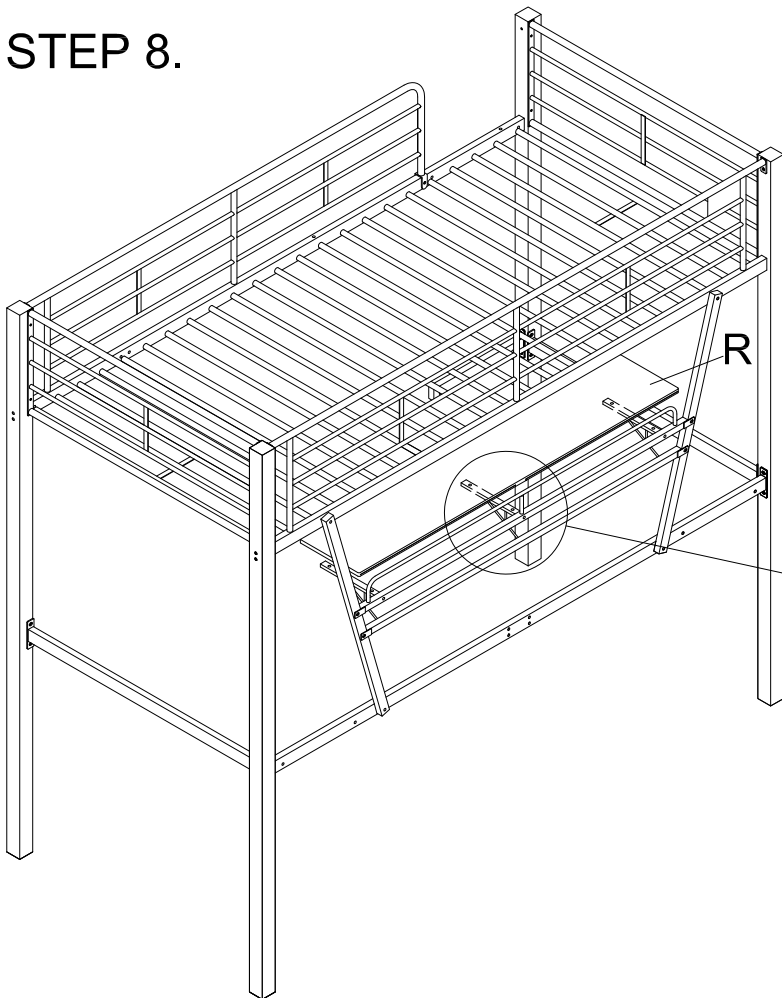
STEP 6.



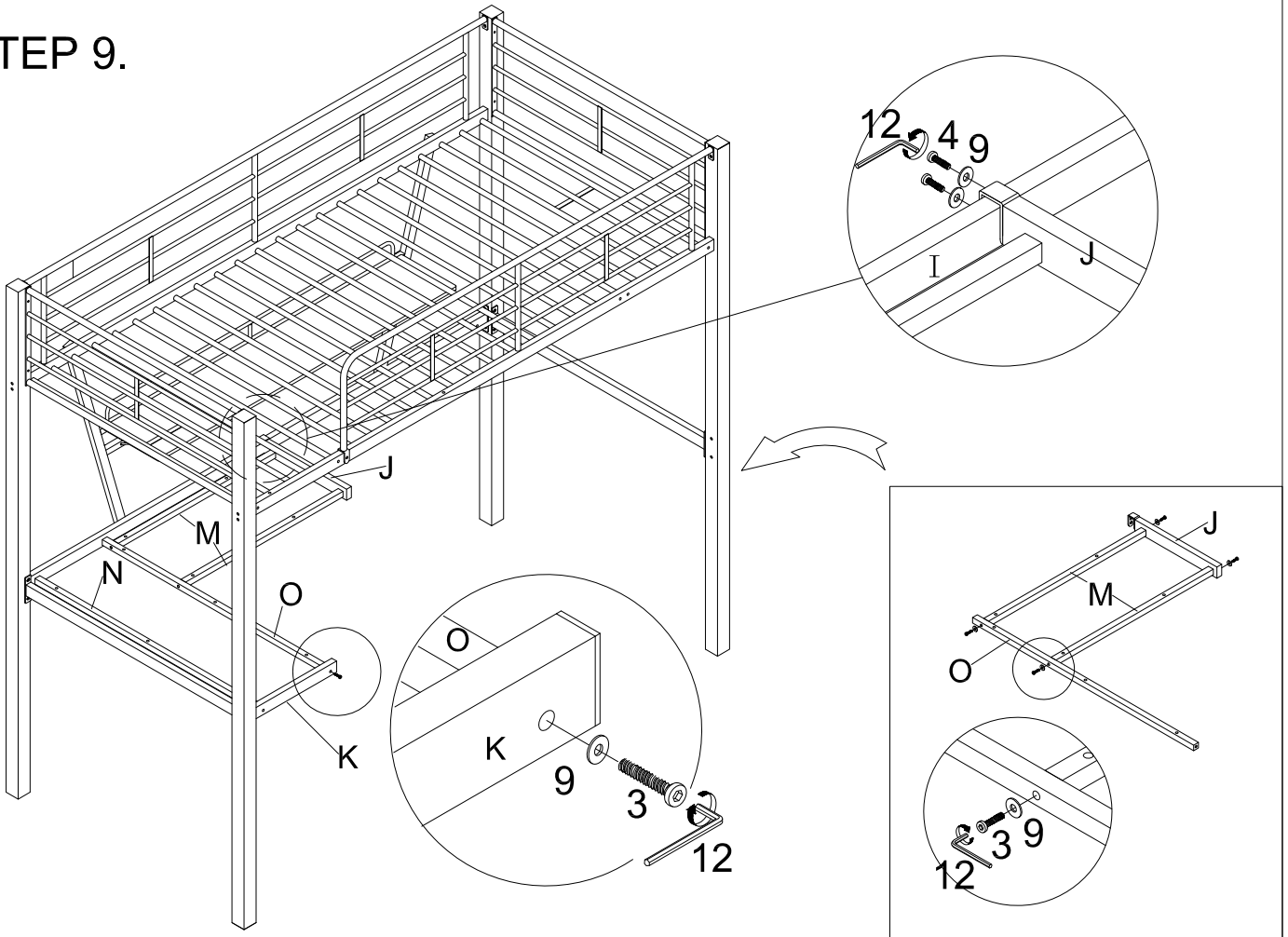
STEP 7.



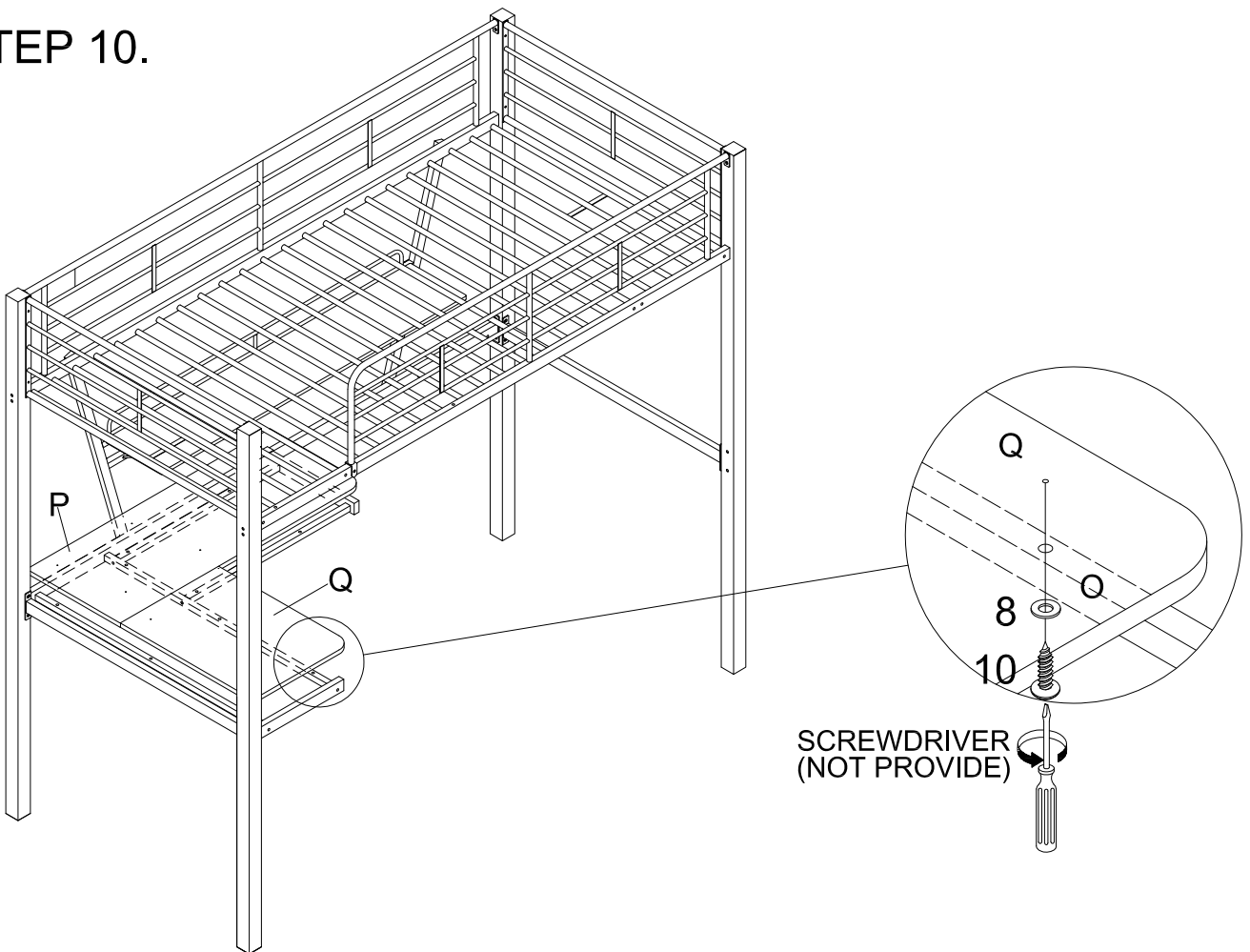
STEP 8.



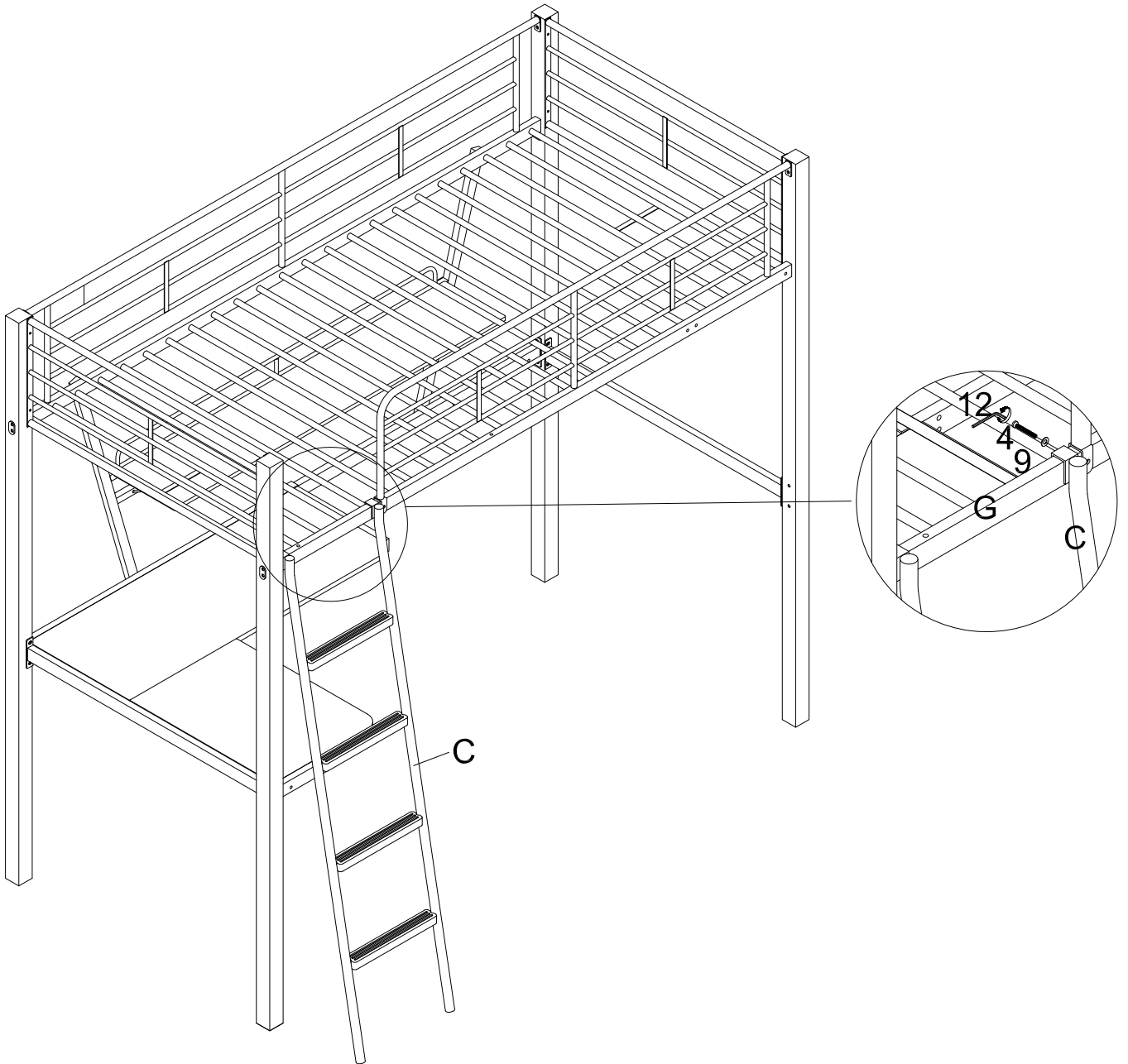
STEP 9.



STEP 10.



STEP 11.



NOTE: THE LADDER CAN BE ASSEMBLED ON EITHER SIDE (LEFT OR RIGHT)

Safety Warnings

1. Follow the information on the warnings appearing on the upper bunk end structure and on the carton . Do not remove warning label from bed.
2. Always use the recommended size mattress or/and mattress support to help prevent the likelihood of entrapment or falls.
3. Surface of mattress must be at least 5 in. below the upper edge of guardrails .
4. Do not allow children less than 6 years of age to use the upper bunk.
5. Periodically check and ensure that the guardrail, ladder ,and other components are in their proper position ,free from damage ,and that all connectors are tight .
6. Prohibit horseplay on/or under the bed and prohibit jumping on the bed.
7. Always use the ladder for entering and leaving the upper bunk.
8. Do not use substitute parts ,Contact manufacturer or dealer for replacement parts.
9. Use of a night light may provide added safety precaution for a child using the upper bunk.
10. Always use guardrails on both long sides of the upper bunk.
11. If the bunk bed will be placed next to a wall, the guardrail that runs the full length of the bed should be placed against the wall to prevent entrapment between the bed and the wall.
12. The use of water or sleep flotation mattress is prohibited .
13. Keep these instructions for future reference.
14. Use only mattress which is 74 3/4 "X39" X6" on upper bunk .
15. Prohibit more than one person on upper bunk.

STRANGULATION HAZARD:

16. Never attach or hang items to any part of the bunk bed that are not designed for use with the bed for example, but not limited to hooks, belts, and jump ropes.