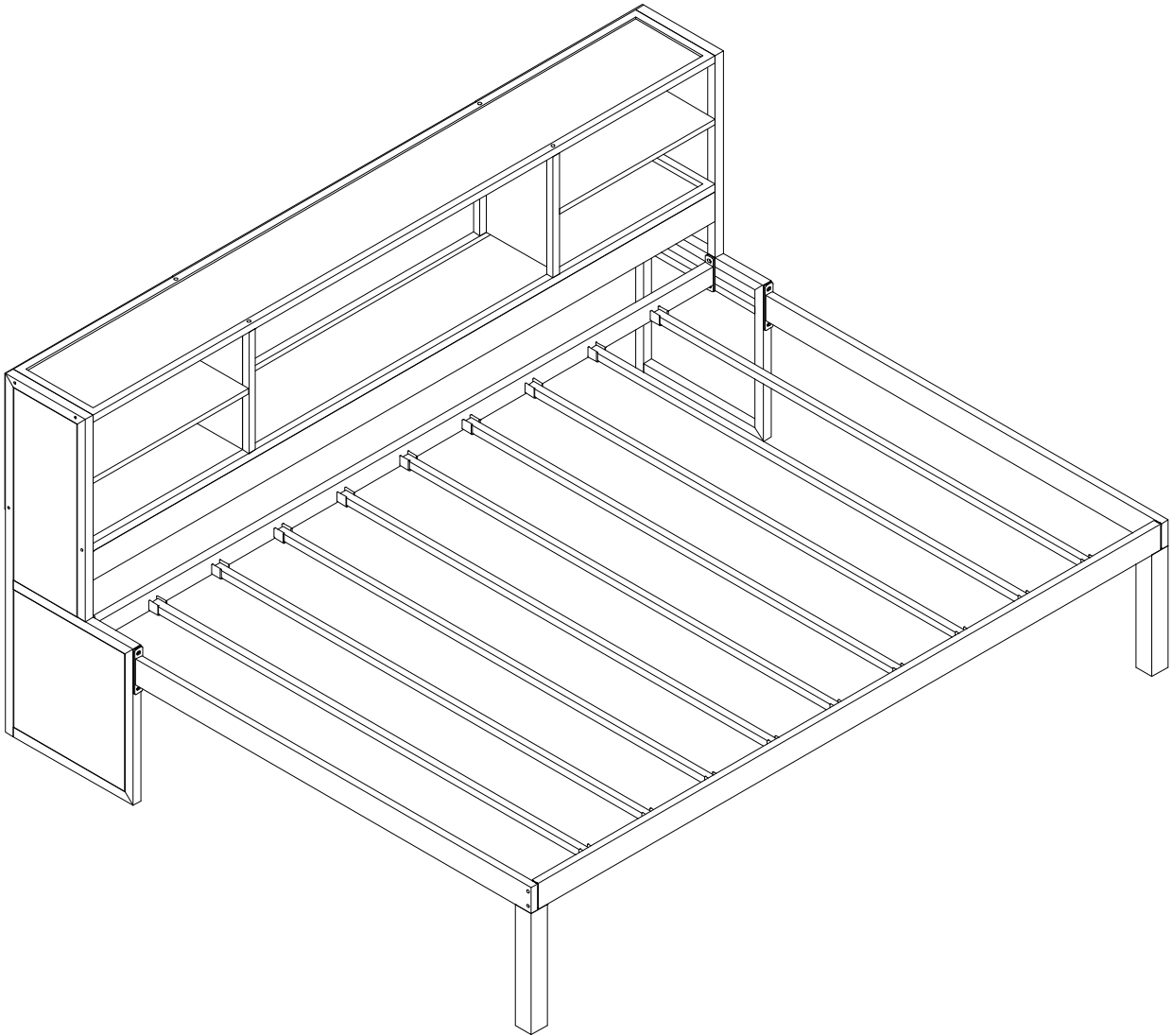
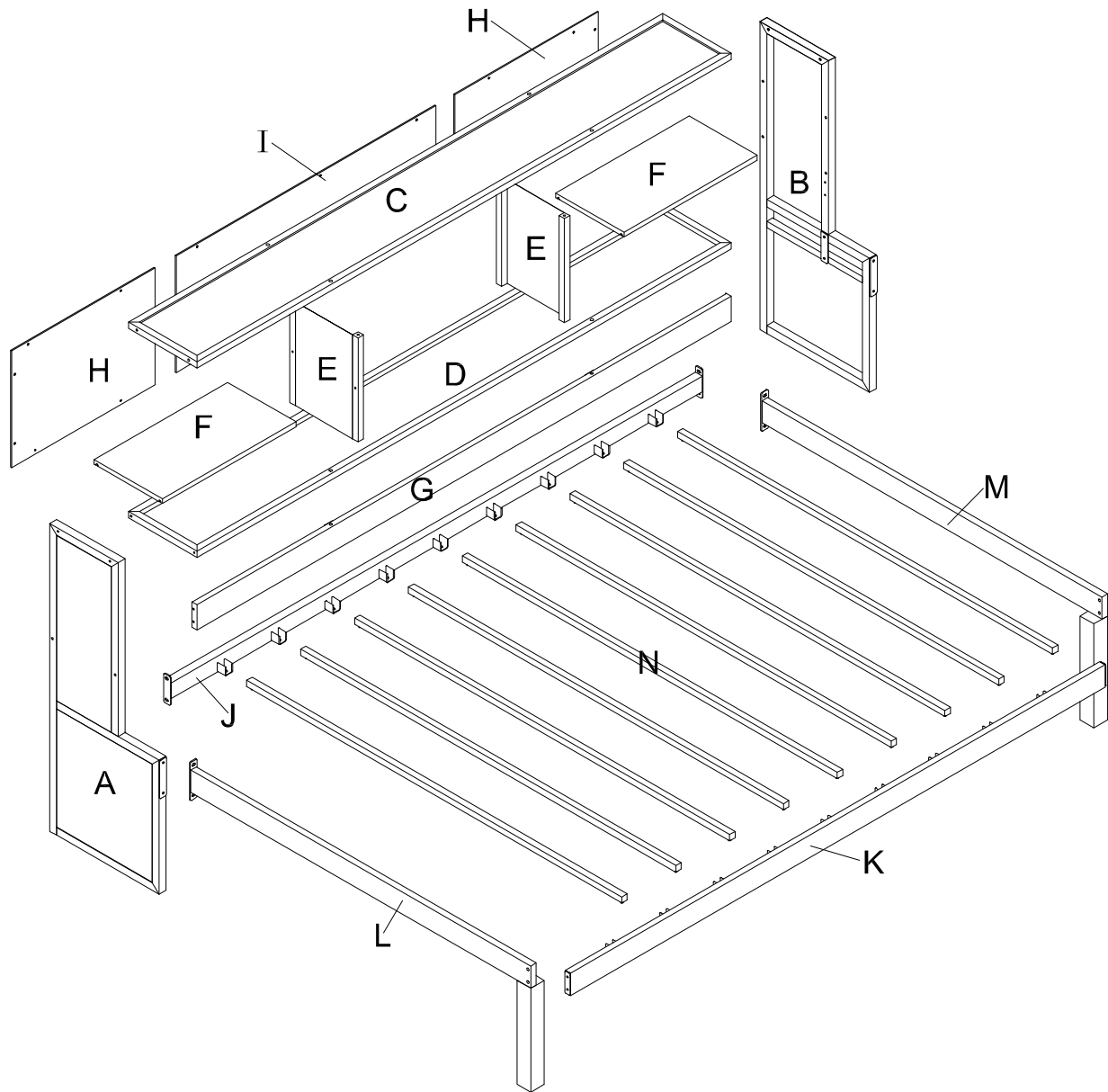


ASSEMBLY INSTRUCTIONS

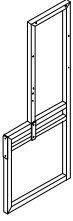
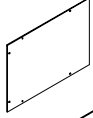
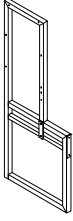
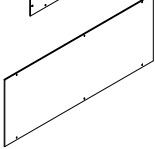
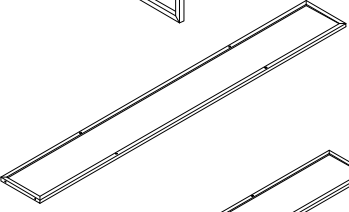
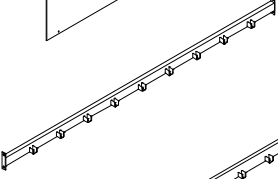
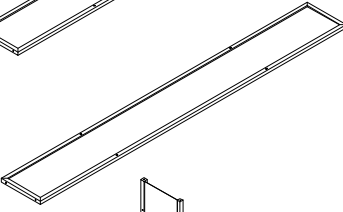
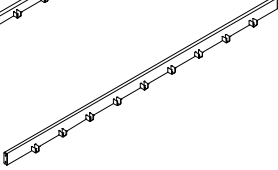

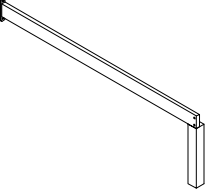
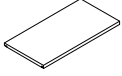
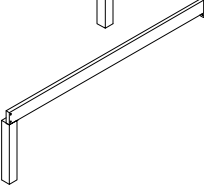
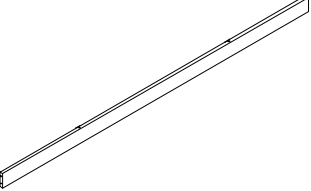
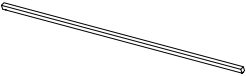
ITEM NO.:37225











PARTS IDENTIFICATION

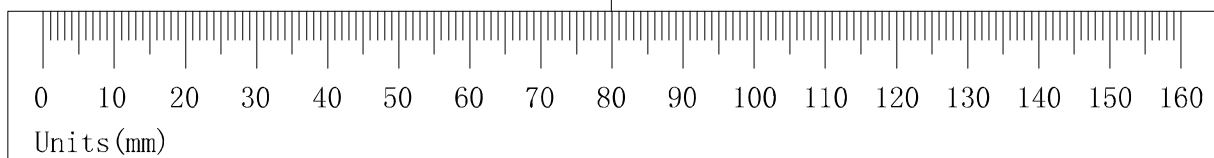


PARTS IDENTIFICATION

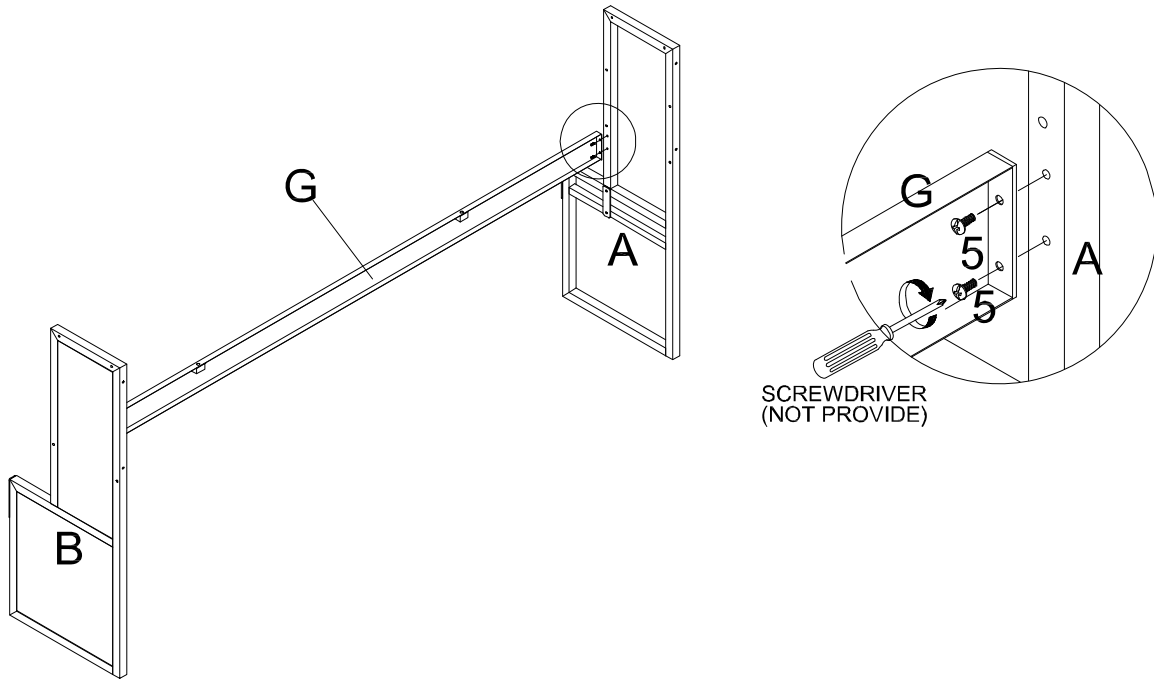
A		LEFT	1pc	H			2pcs
B		RIGHT	1pc	I			1pc
C			1pc	J			1pc
D			1pc	K			1pc
E			2pcs	L		LEFT	1pc
F			2pcs	M		RIGHT	1pc
G			1pc	N			9pcs

HARDWARE LIST

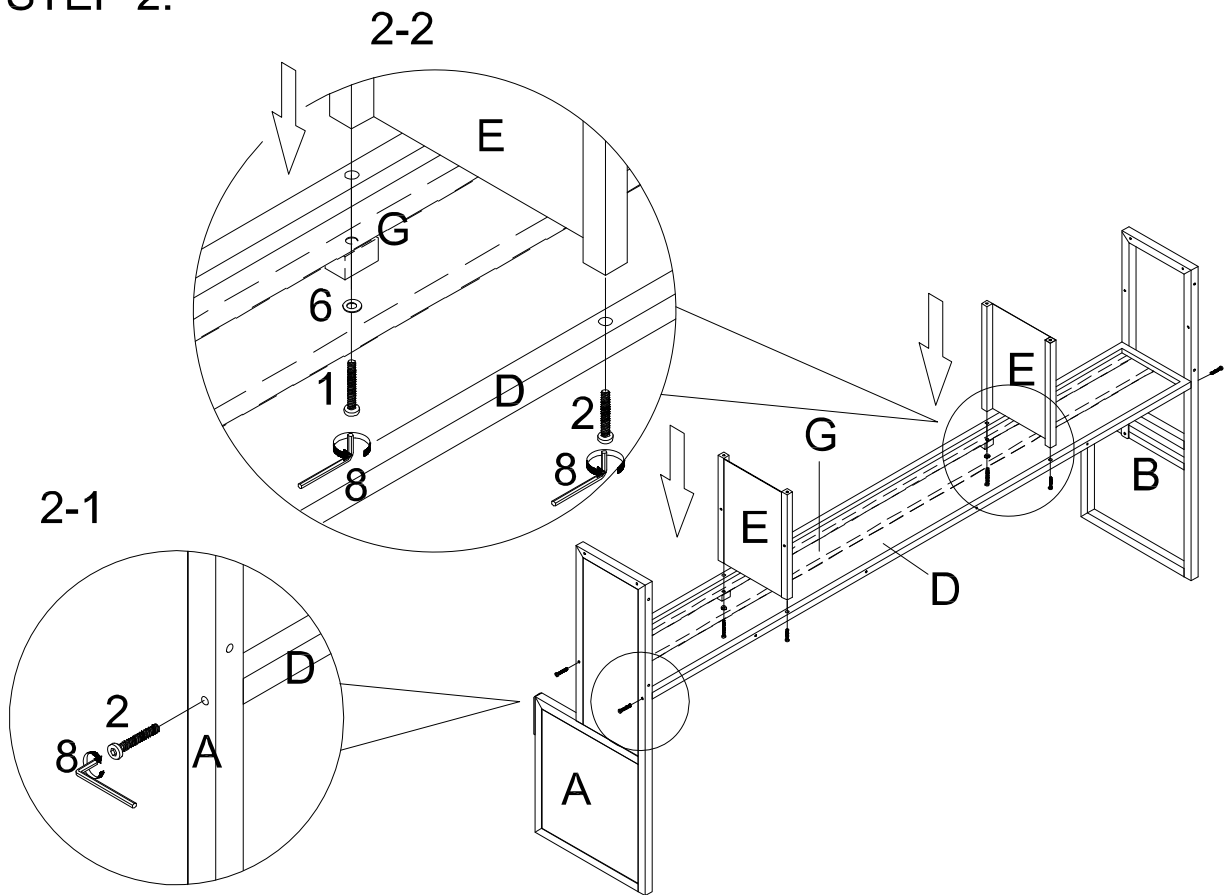
1		M6x50	2pcs	5		M5x10	22pcs
2		M6x40	14pcs	6		Ø14xØ6x1	2pcs
3		M6x30	4pcs	7		M6x30	8pcs
4		M6x15	8pcs	8		4x4	1pc



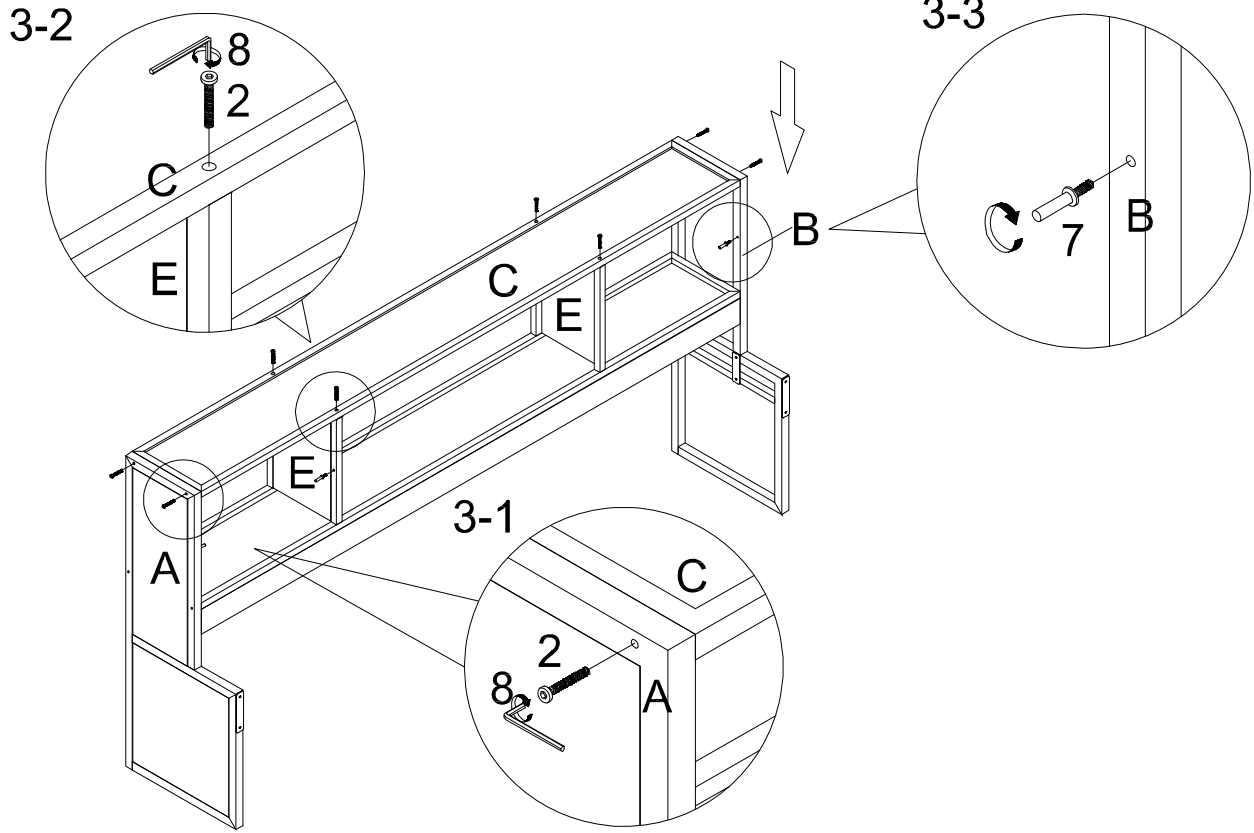
STEP 1.



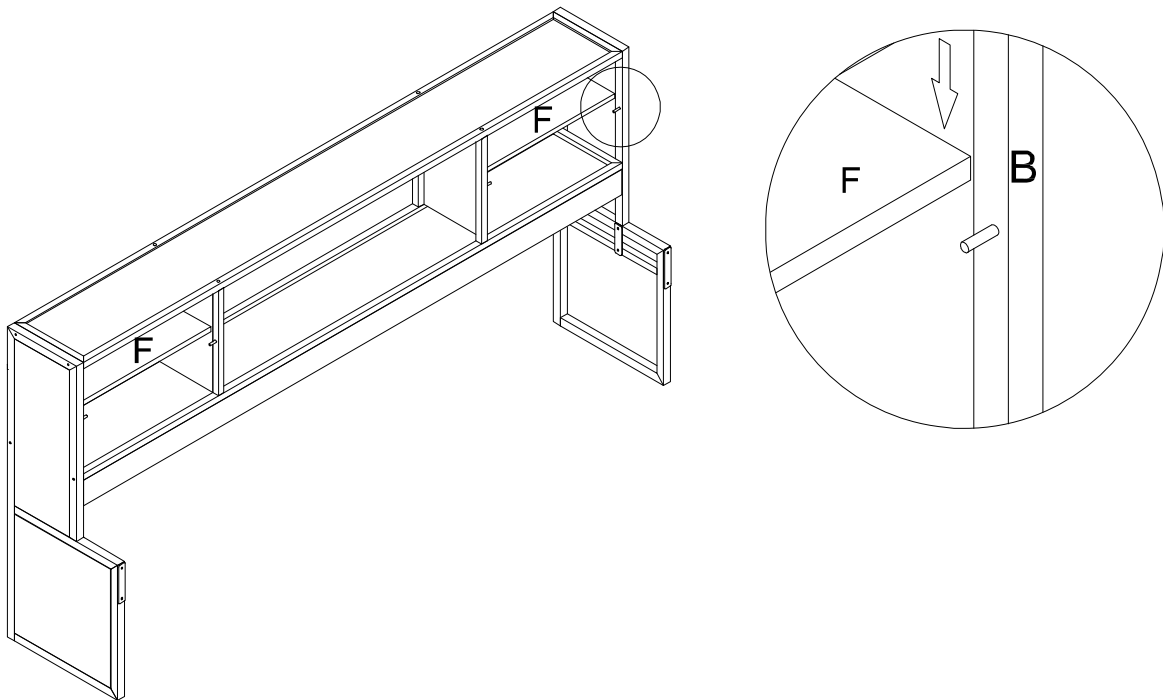
STEP 2.



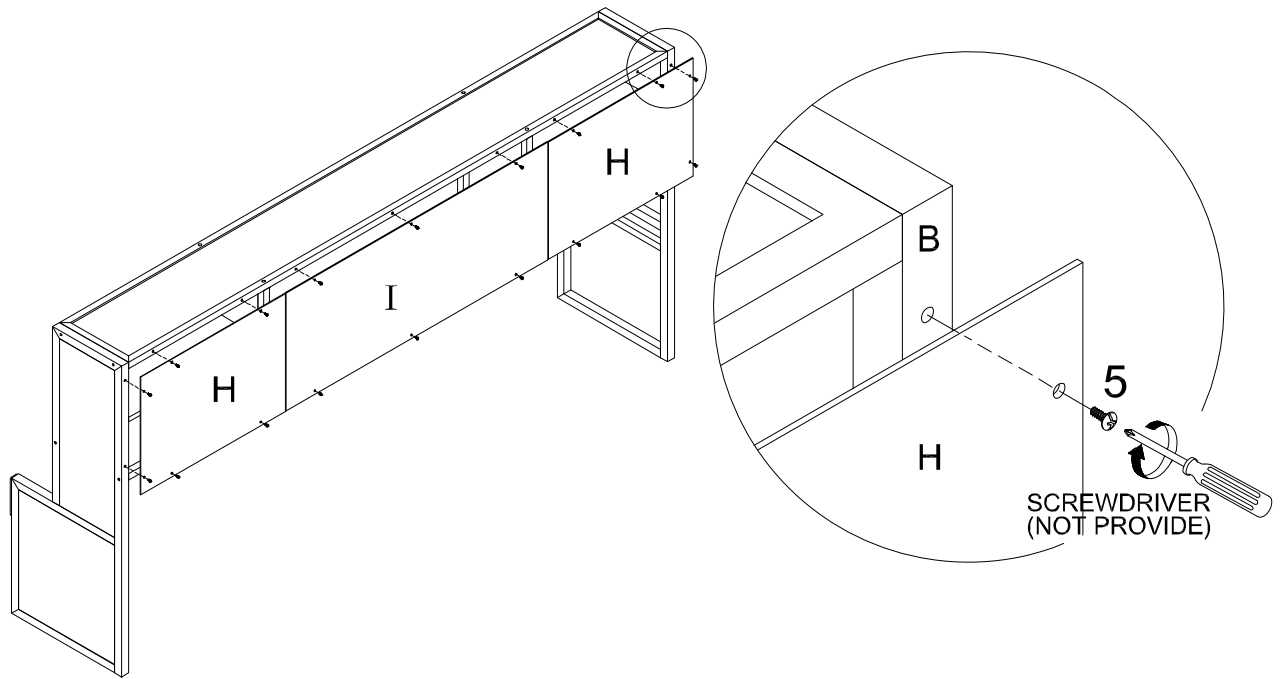
STEP 3.



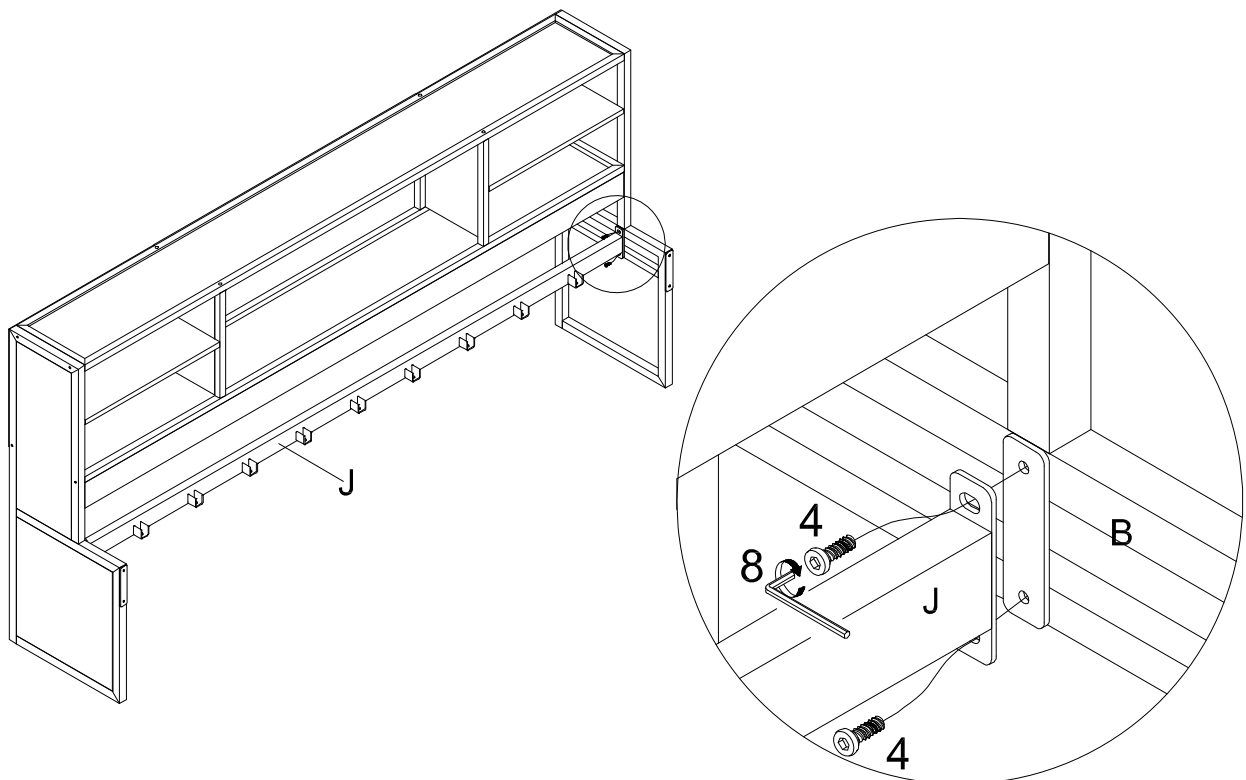
STEP 4.



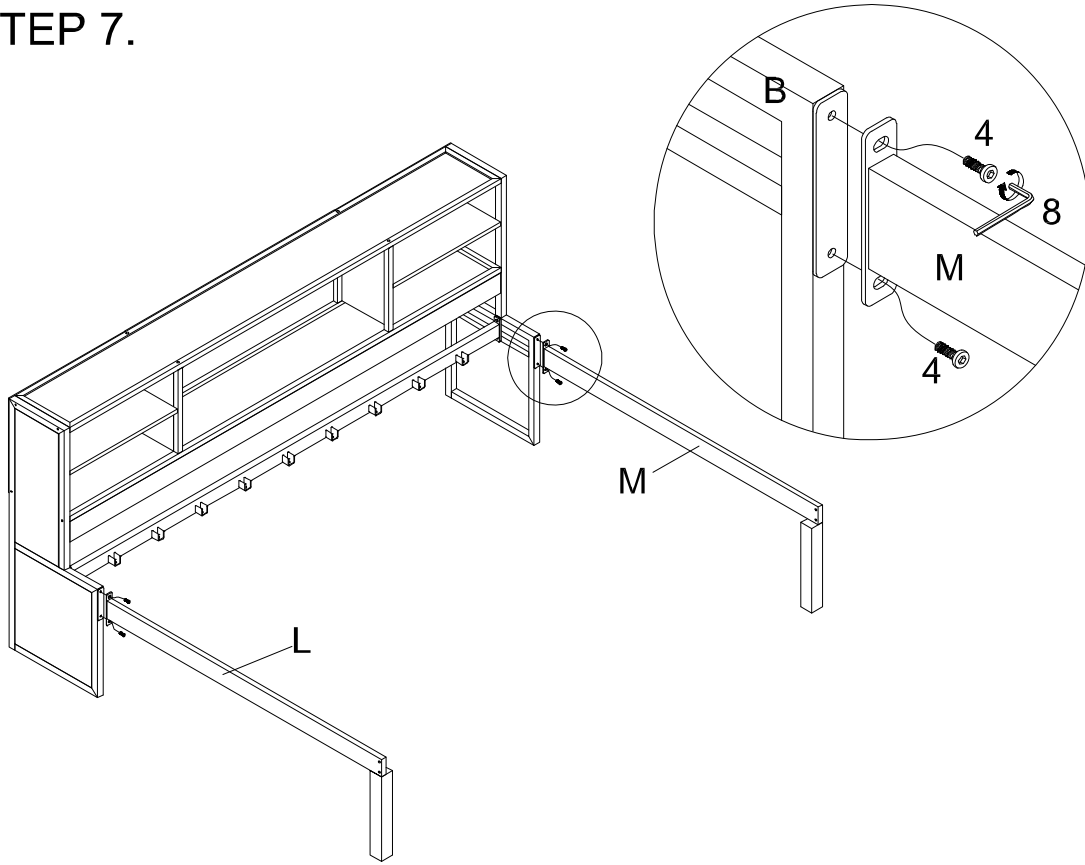
STEP 5.



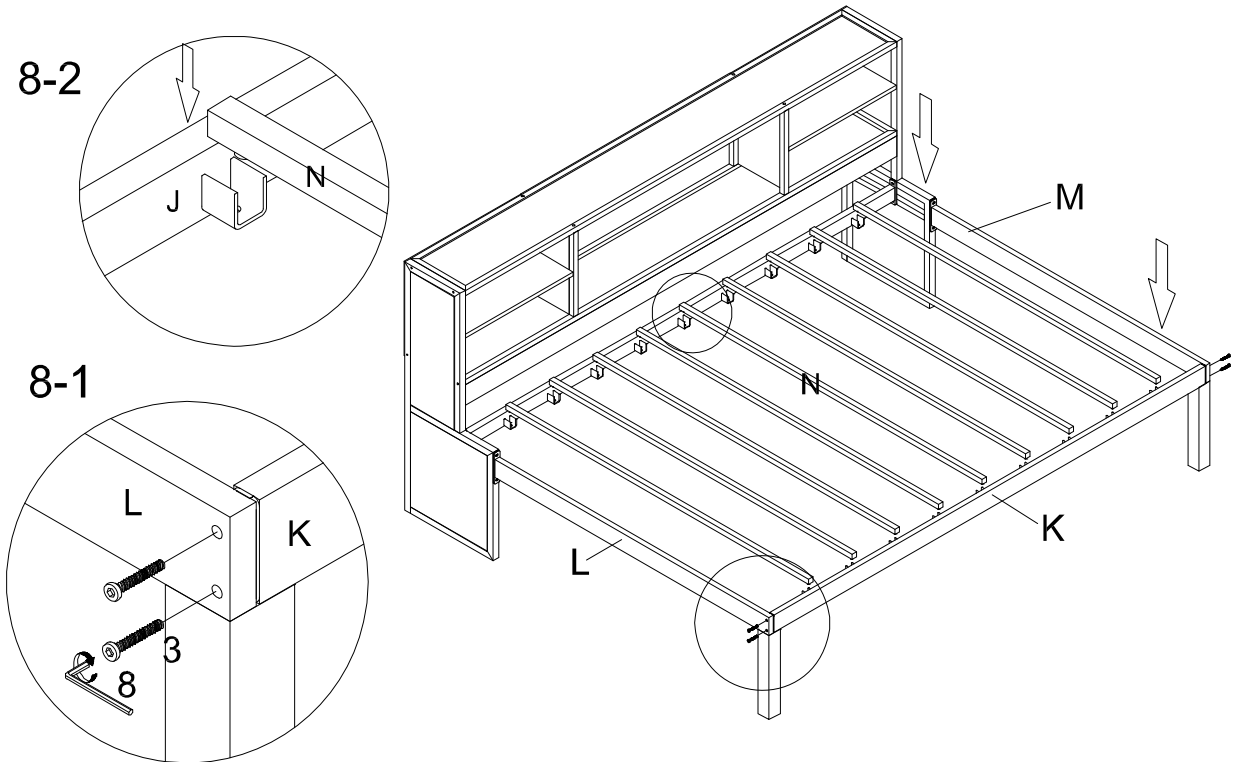
STEP 6.



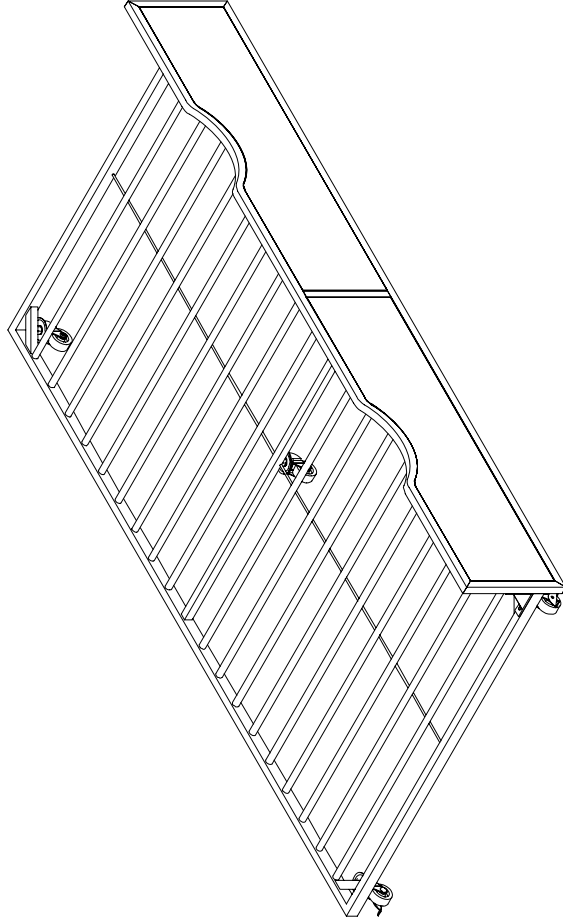
STEP 7.



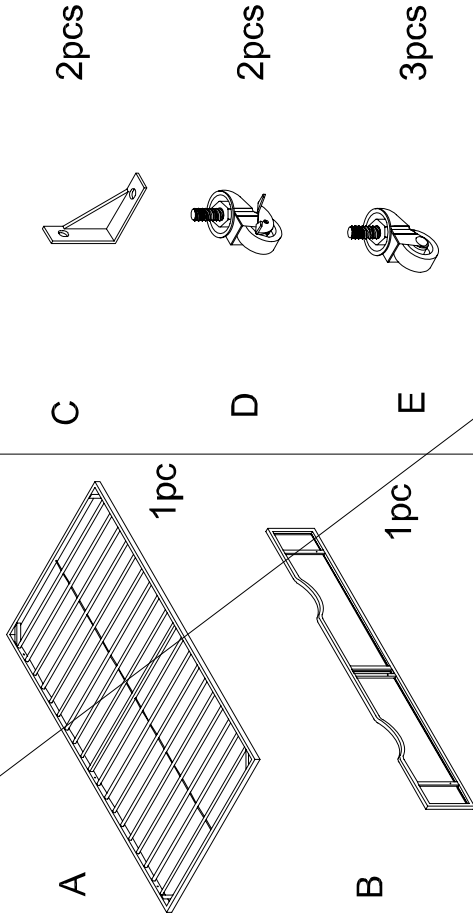
STEP 8.








ASSEMBLY INSTRUCTIONS



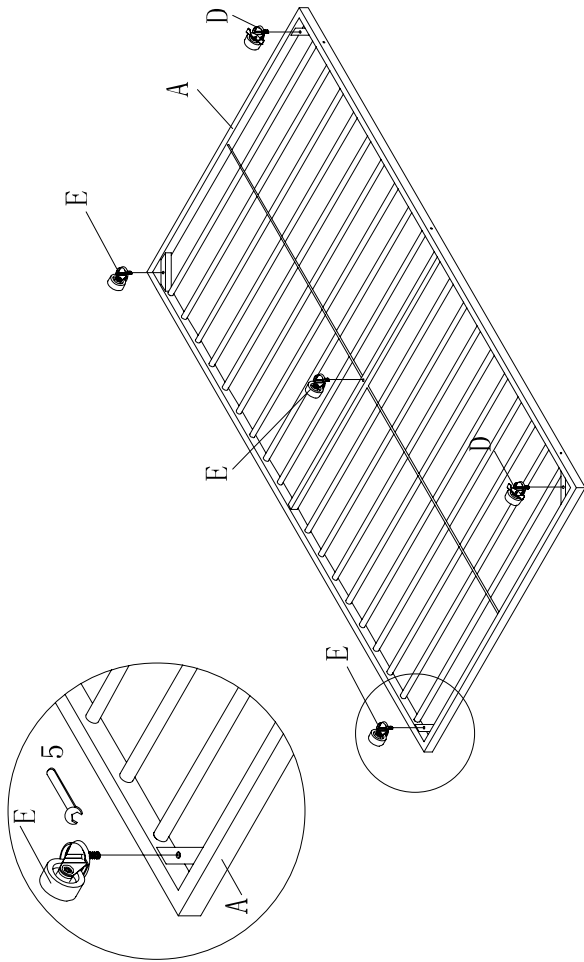
PARTS IDENTIFICATION



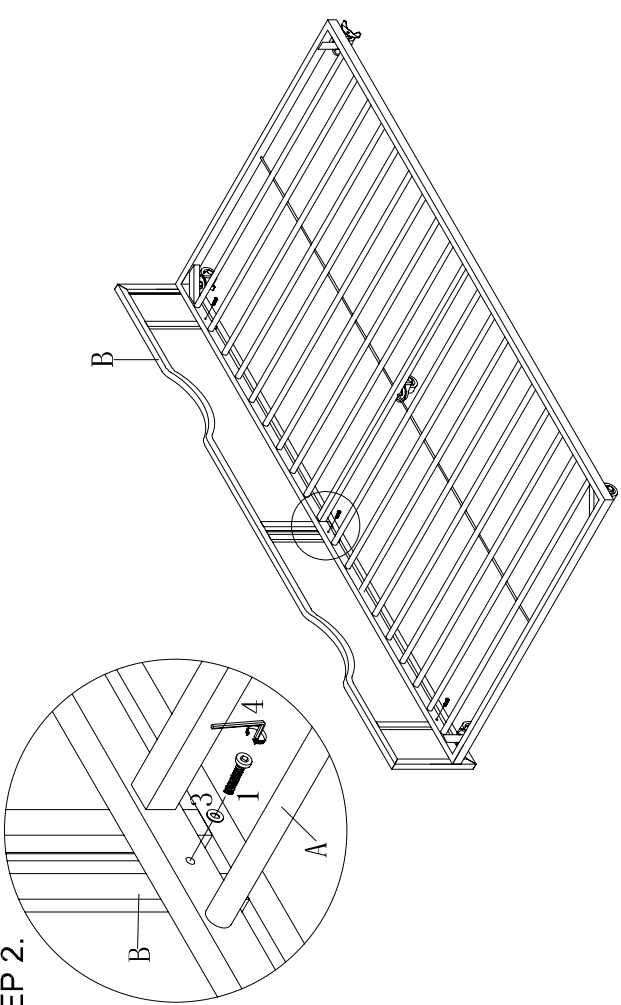
HARDWARE LIST

1		M6x30	3pcs
2		M6x15	4pcs
3		Ø14xØ6x1.0	7pcs
4		4x4	1pc
5			1pc

STEP 1.



STEP 2.



STEP 3.

