



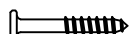

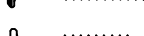
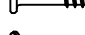





ASSEMBLY INSTRUCTION

MODEL: 37010 & 37009 BUNKBED

*** Do not fully tighten screws until fully assembled ***

COMPONENT PARTS		
No.	PART NAME	Q'TY
A	LEFT BACK POST	1 PC
B	LEFT FRONT POST	1 PC
C	RIGHT BACK POST	1 PC
D	RIGHT FRONT POST	1 PC
E1	LEFT UPPER HB PANEL	1 PC
E2	LEFT LOWER HB PANEL	1 PC
E3	RIGHT UPPER HB PANEL	1 PC
E4	RIGHT LOWER HB PANEL	1 PC
F	SIDE RAIL	3 PCS
G	UPPER SIDE RAIL	1 PC
H	LONG BACK GUARDRAIL	2 PCS
I	SHORT FRONT GUARDRAIL	2 PCS
K	ATTACHED GUARDRAIL	1 PC
L	GUARDRAIL SUPPORTER	2 PCS
M	SLATS (6pcs=1set)	2 SETS
N	LADDER SIDE RAIL (Left & Right)	2 PCS
O	LADDER STEP	4 PCS

HARDWARES REQUIRED

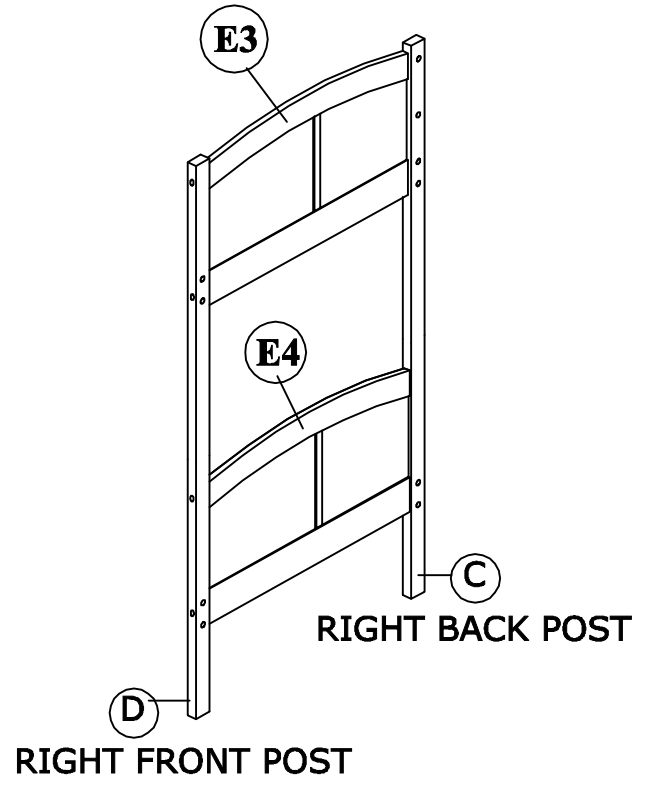
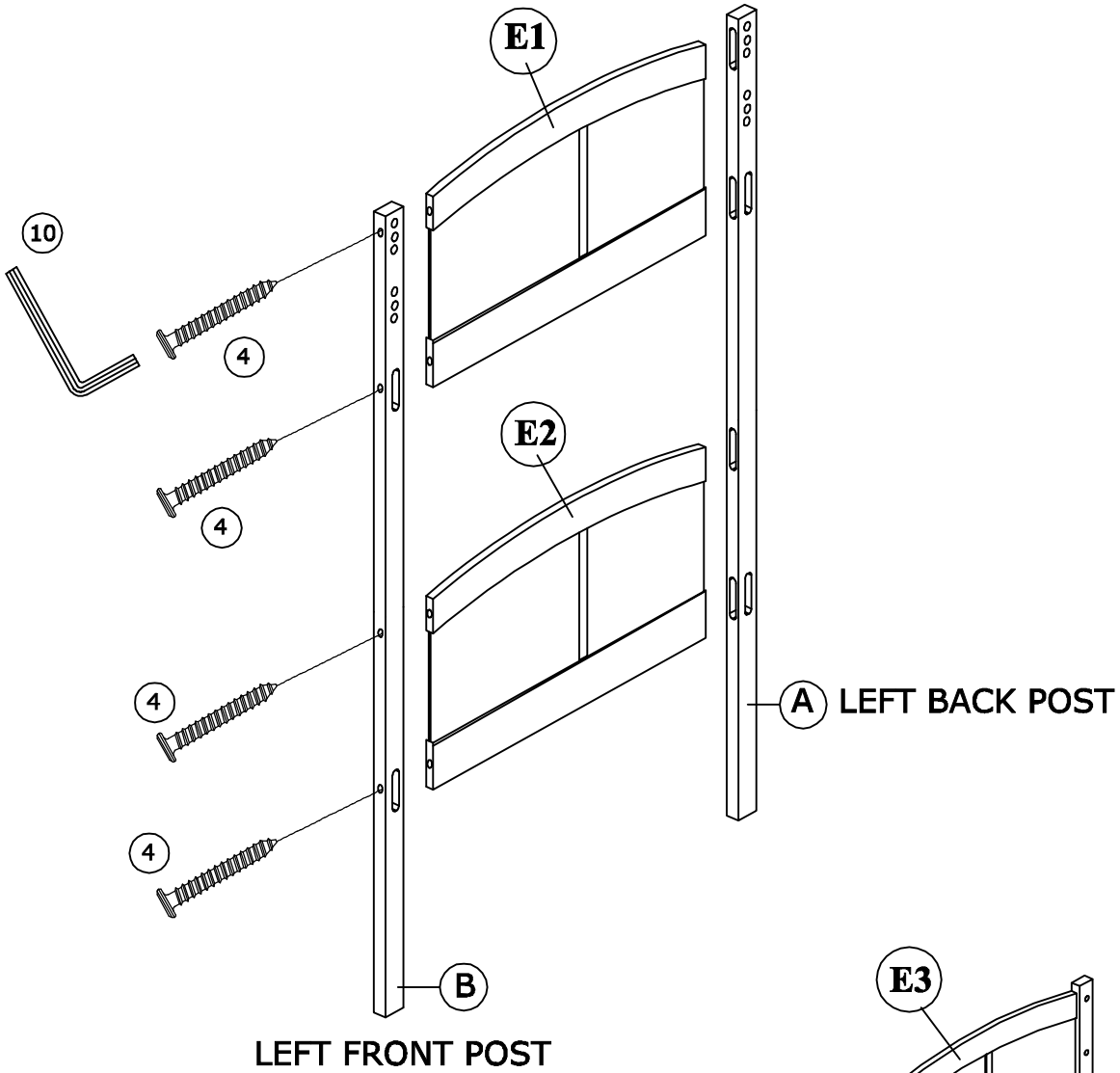
- | | | |
|---|---|------------------------------|
| ① |  | BOLT: 6.3*80mm - 16 PCS |
| ② |  | HALF ROUND NUT - 16 PCS |
| ③ |  | SCREW: 7*50mm - 2 PCS |
| ④ |  | SCREW: 7*100mm - 16 PCS |
| ⑤ |  | SCREW: 7*80mm - 6 PCS |
| ⑥ |  | SCREW: 6.3*50mm - 2 PC |
| ⑦ |  | WOOD DOWEL: 10*40mm - 16 PCS |
| ⑧ |  | SCREW: 4*35mm - 30 PCS |
| ⑨ |  | SCREW: 4*20mm - 2 PCS |
| ⑩ |  | ALLEN KEY - 1 PC |
| ⑪ |  | SCREW: 7*35mm - 8 PCS |



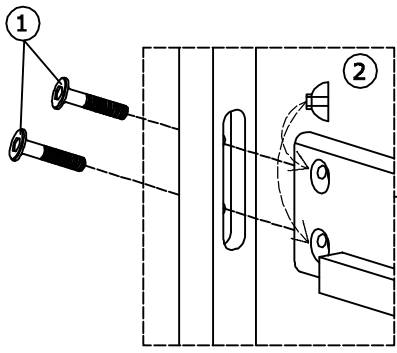
Attention:

* Mattress not included.

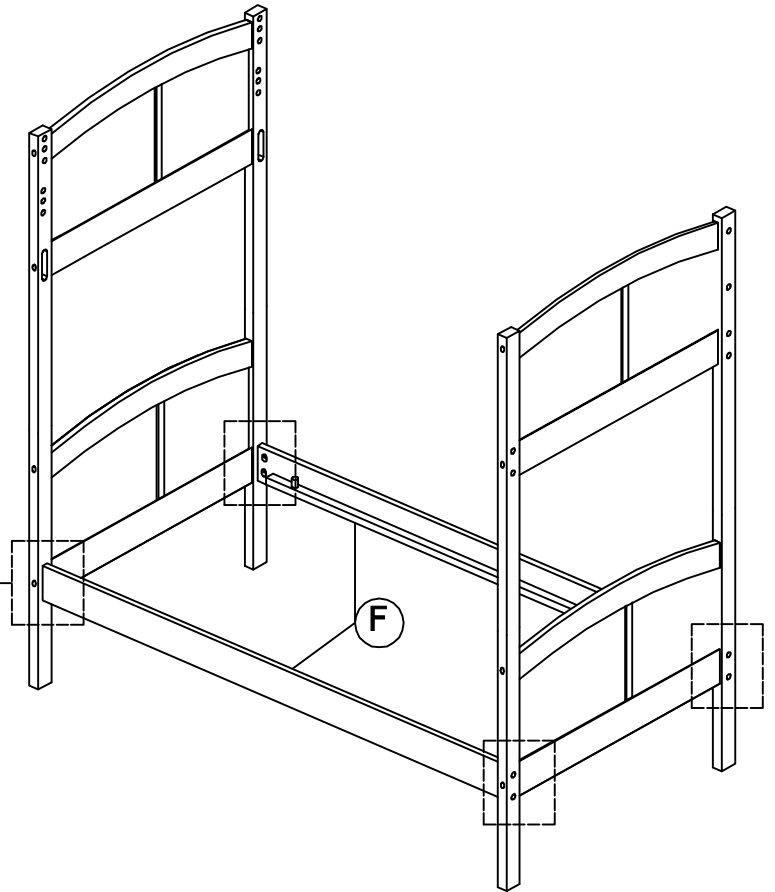
* Some number parts listed on the instruction sheet may not be in parts bag as they may already be assembled. Carefully check parts and packing materials prior to ordering replacements.



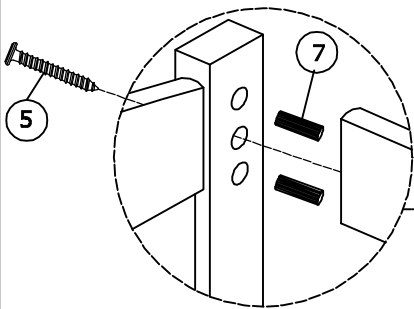
STEP 1:



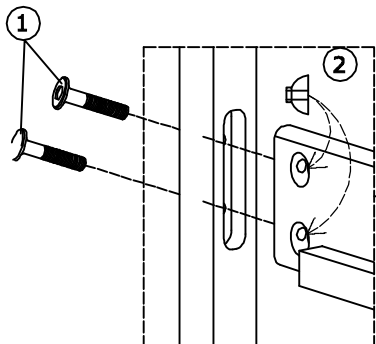
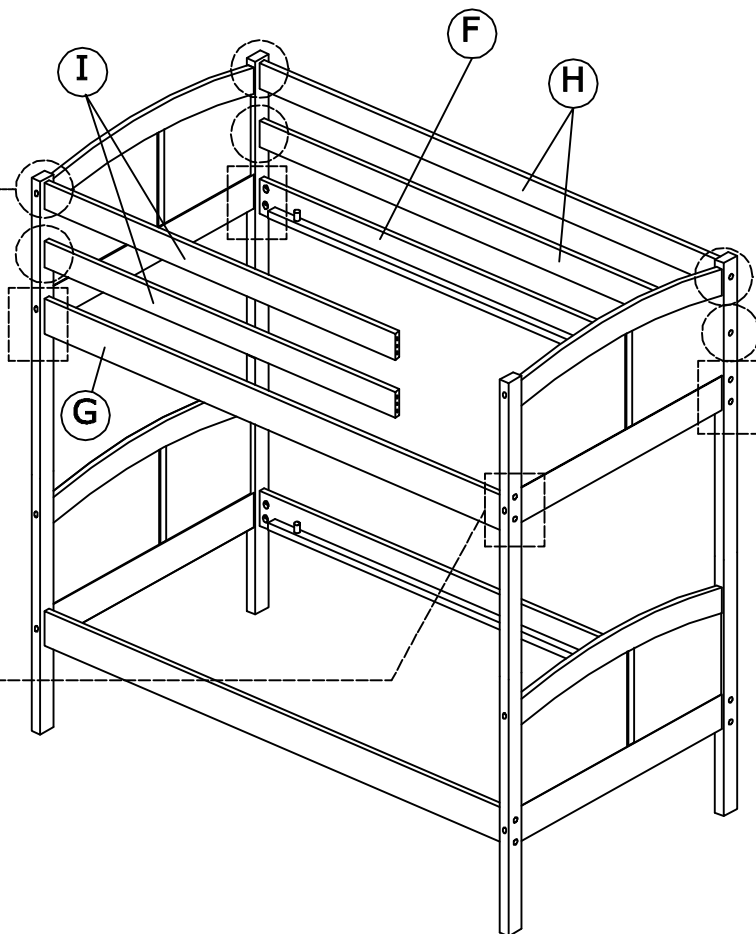
4 PLACES



STEP 2:

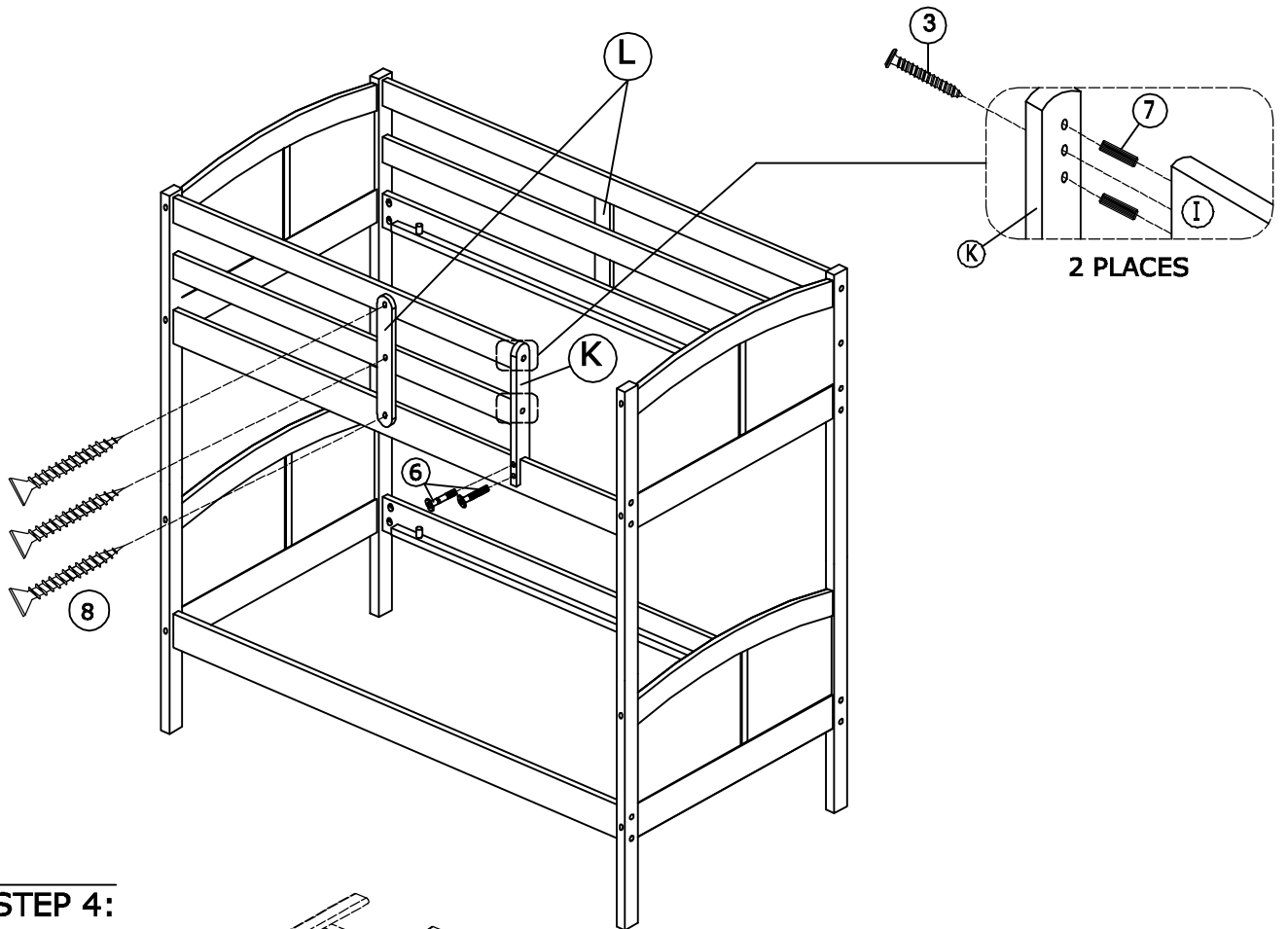


6 PLACES

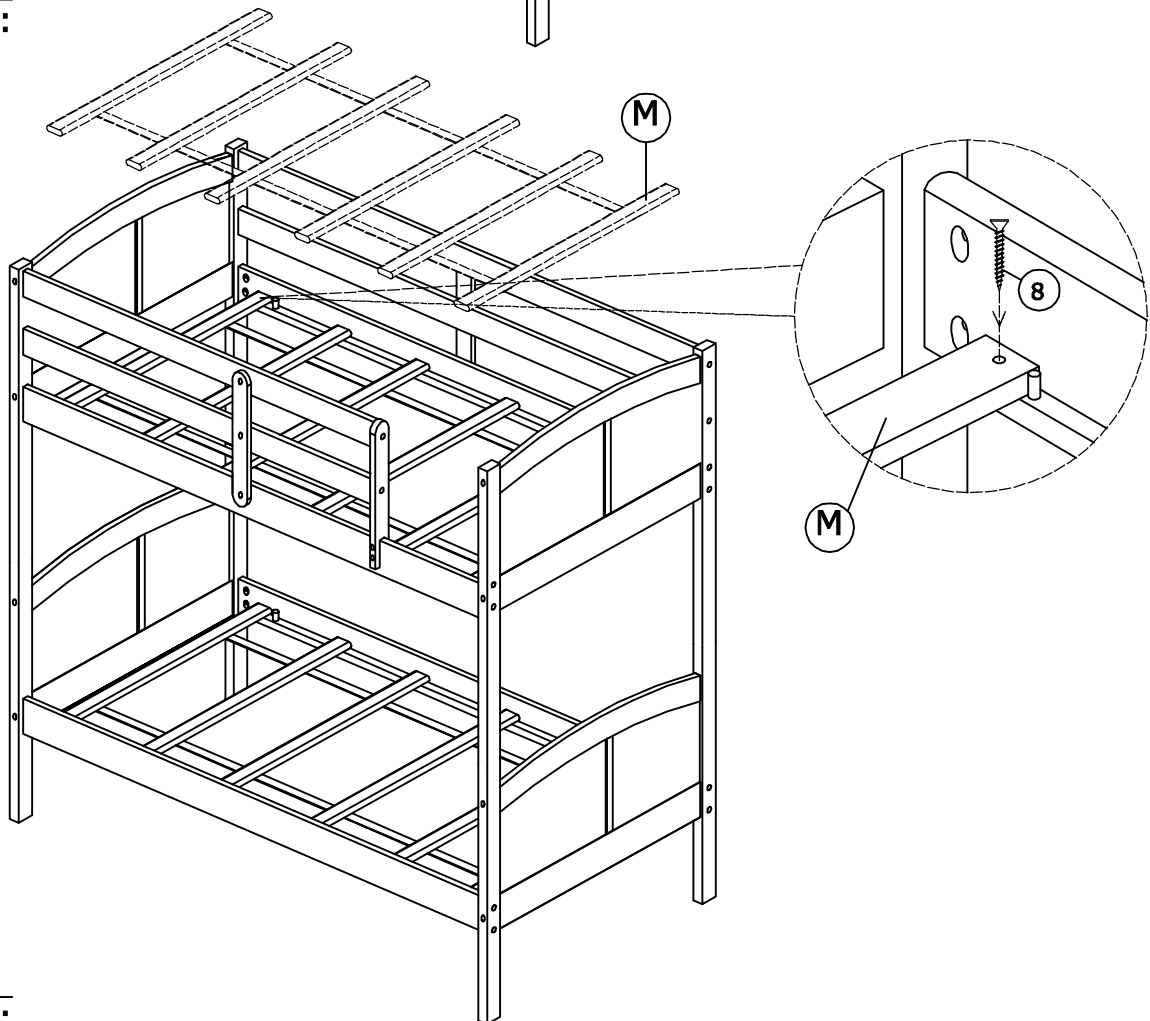


4 PLACES

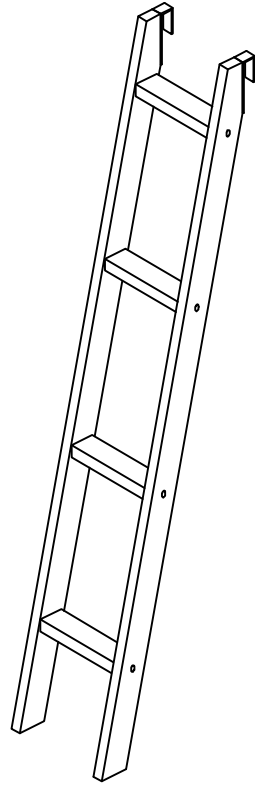
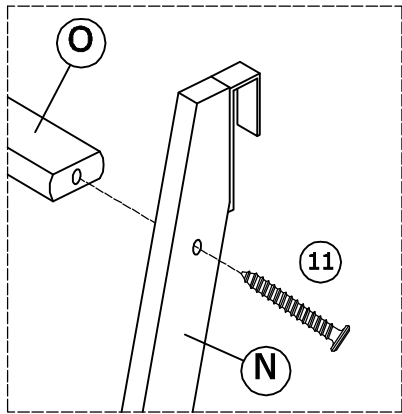
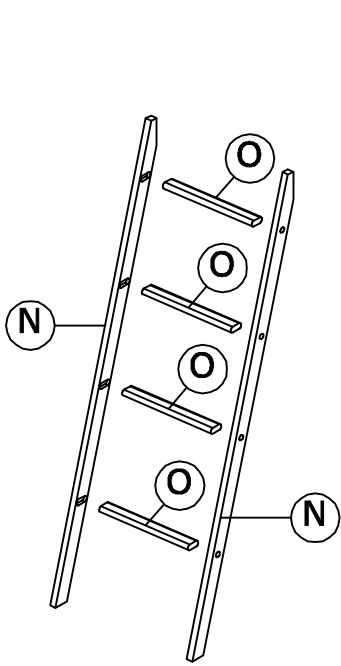
STEP 3:



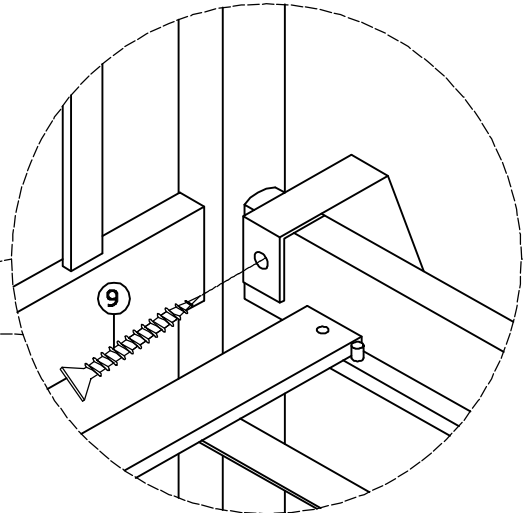
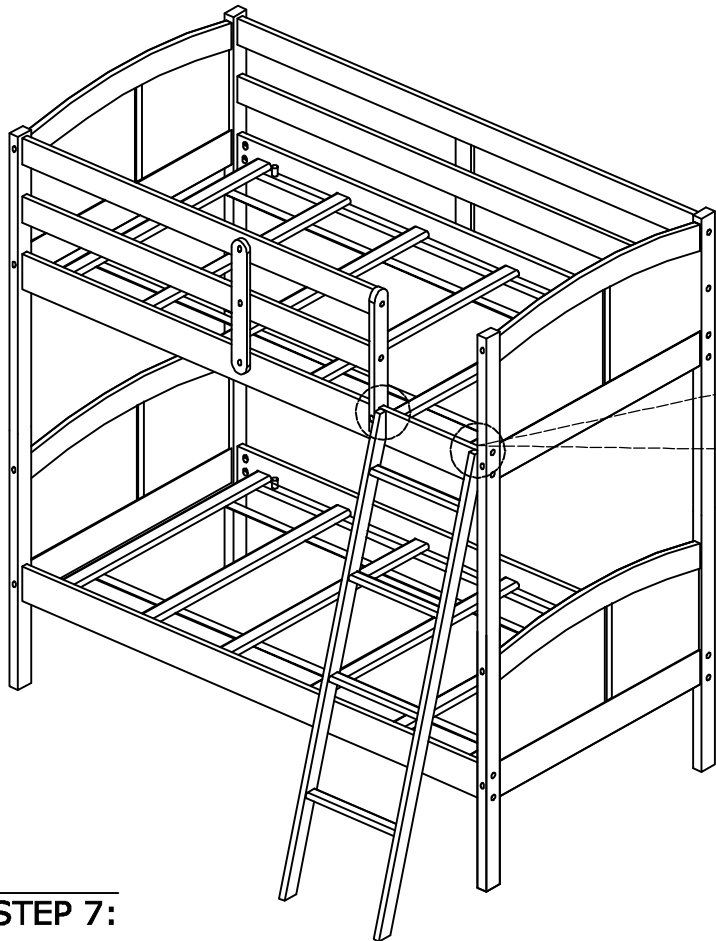
STEP 4:



STEP 5:

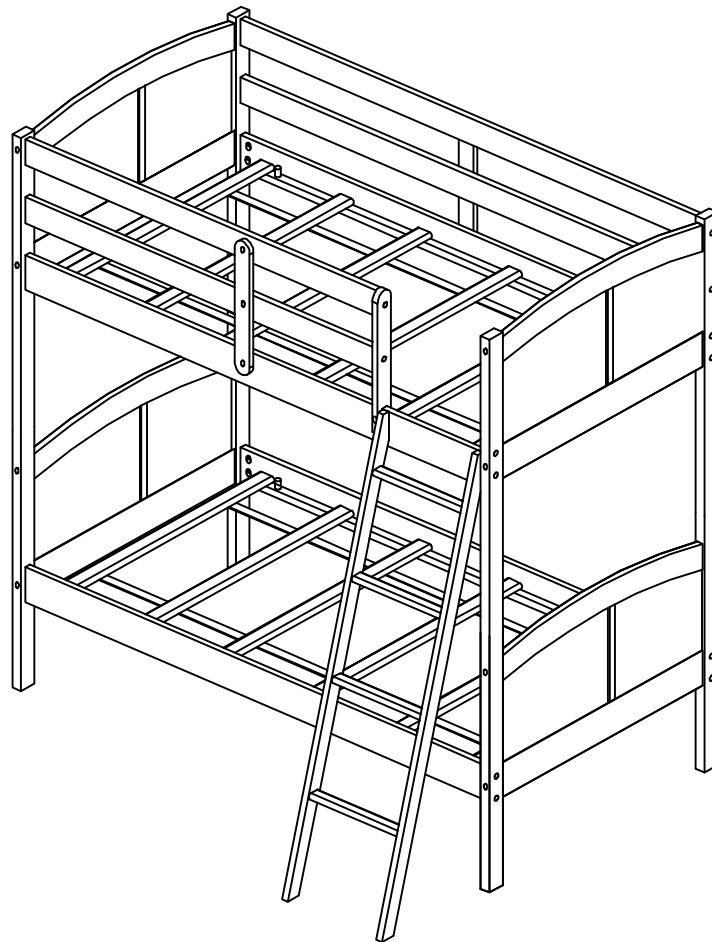


STEP 6:



2 PLACES

STEP 7:



WARNING

To help prevent serious or fatal injuries from entrapment or falls:

1. Follow the information on the warning label appearing on the upper bunk end structure and on the carton. Do not remove warning label from bed.
2. Always use the recommended size mattress or mattress support, or both, to help prevent the likelihood of entrapment or falls. Use only a mattress which is 74"-75" long and 37-1/2" - 38-1/2" wide on the upper bunk.
3. Ensure thickness of upper mattress does not exceed 6" and top surface of mattress is at least 5" below the upper edge of guardrails.
4. Do not allow children under 6 years to use the upper bunk.
5. Periodically check and ensure that the guardrail, ladder, and other components are in their proper position, free from damage, and that all connectors are tight.
6. Do not allow horseplay on or under the bed and prohibit jumping on the bed.
7. Always use ladder for entering and leaving upper bunk.
8. Do not use substitute parts. Contact the manufacturer or dealer for replacement parts.
9. Use of a night-light may provide added safety precaution for a child using the upper bunk.
10. Always use guardrails on both long sides of the upper bunk. If the bunk bed will be placed next to a wall, the guardrail that runs the full length of the bed should be placed against the wall to prevent entrapment between the bed and the wall.
11. The use of water or sleep flotation mattresses is prohibited.

STRANGULATION HAZARD:

12. Never attach or hang items to any part of the bunk bed that are not designed for use with the bed, for example, but not limited to, hooks, belts and jump ropes.
13. Prohibit more than one person on upper bunk.
14. Maximum total weight not to exceed-150 lbs on the upper bunk, and maximum 200 lbs on lower bunk.
15. Keep these instructions for future reference.