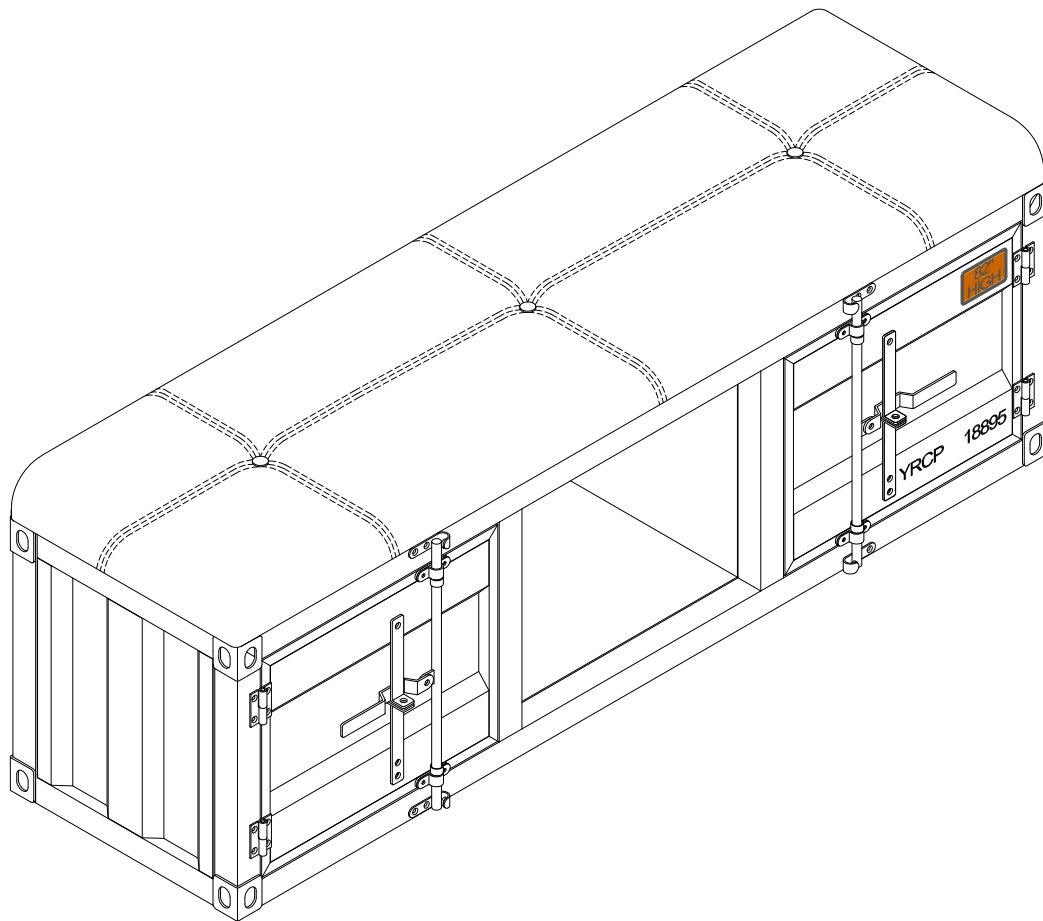


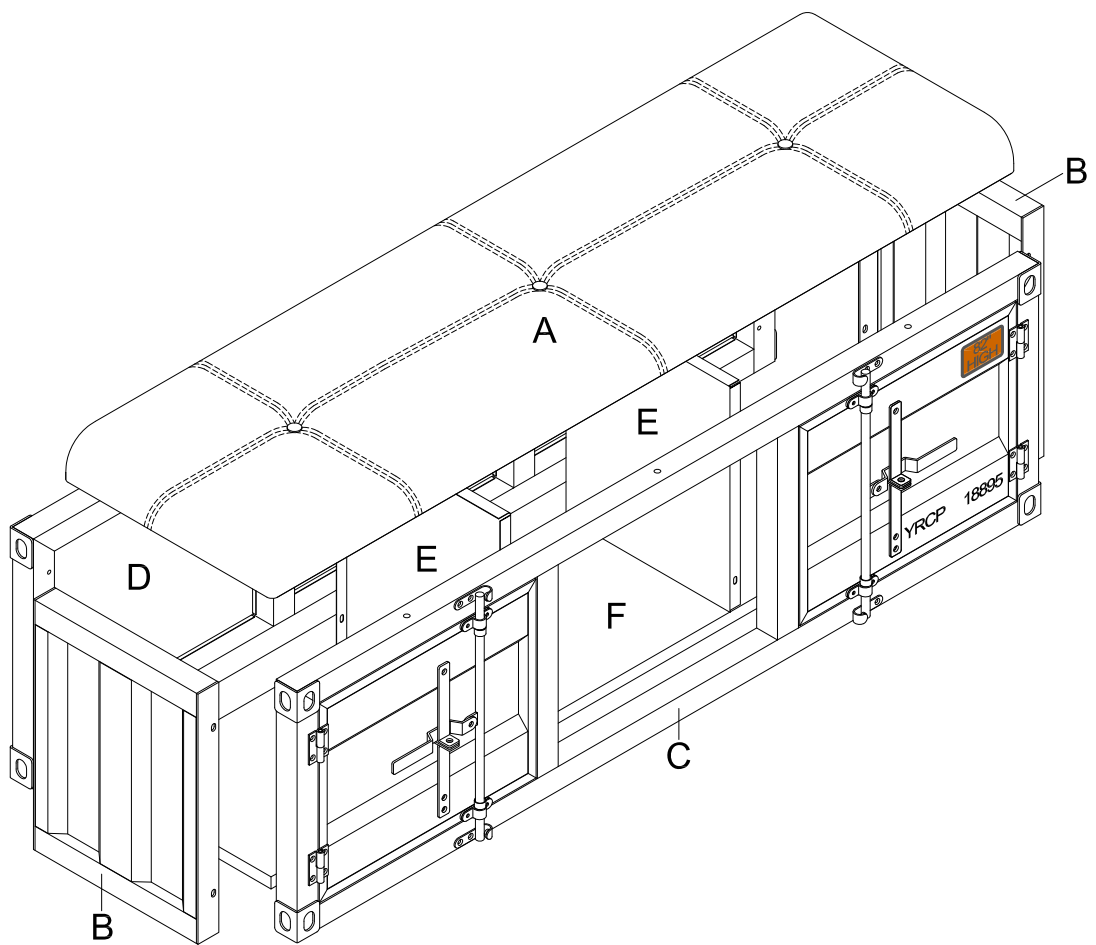
ASSEMBLY INSTRUCTIONS

ITEM NO.:35927/35912/35956/35942

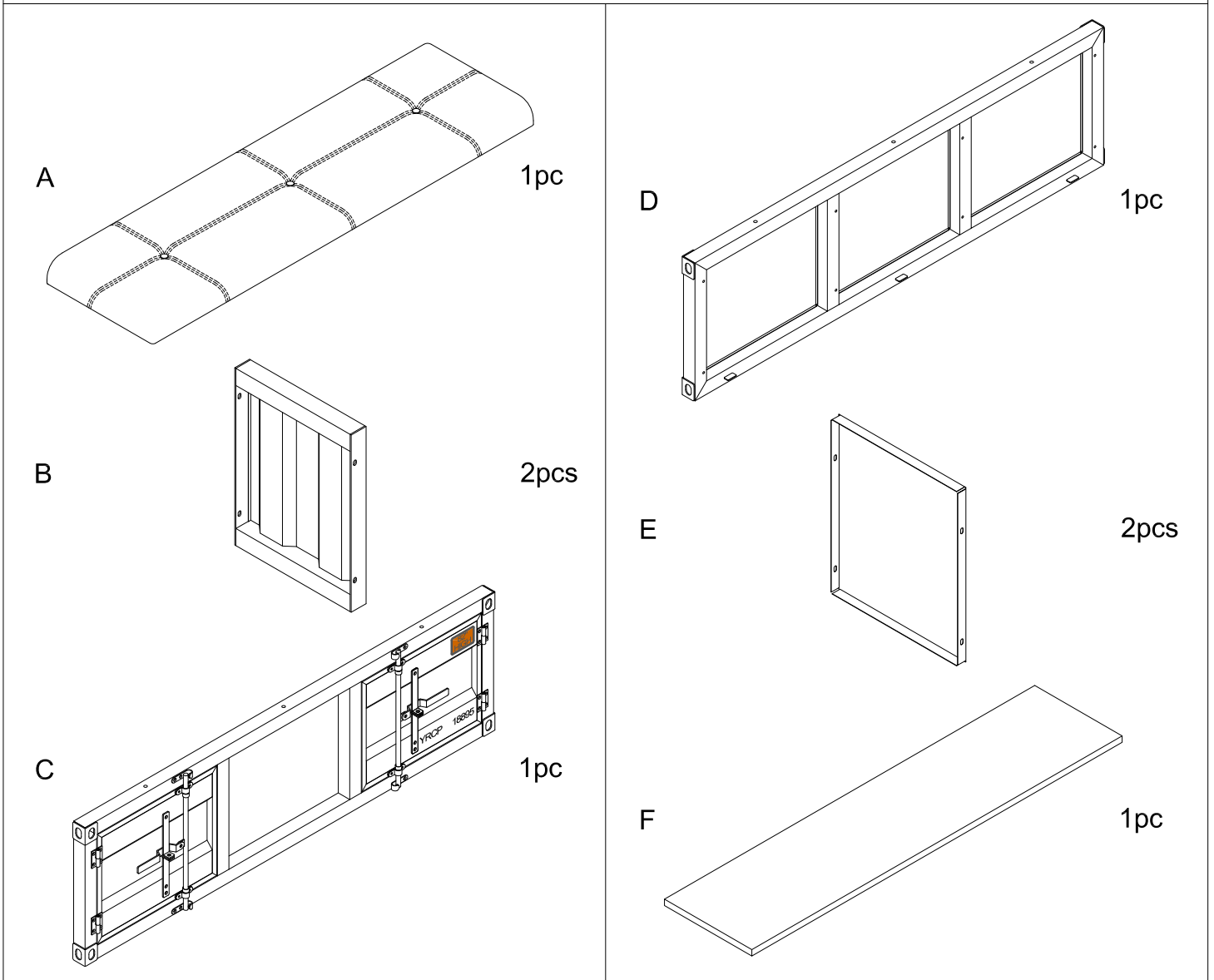


Do not tighten screws until completely assembled.

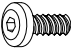
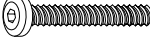
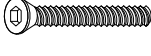


PARTS IDENTIFICATION

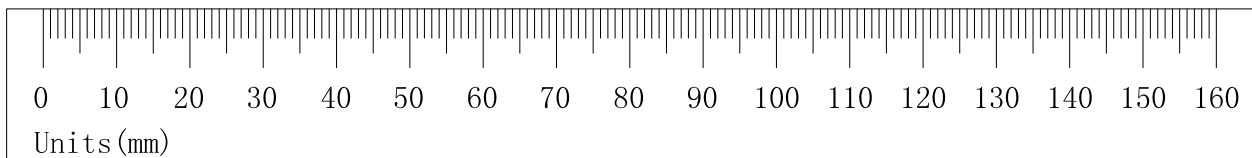


PARTS IDENTIFICATION

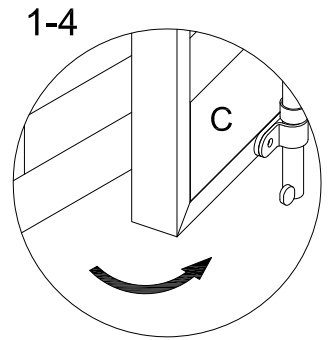
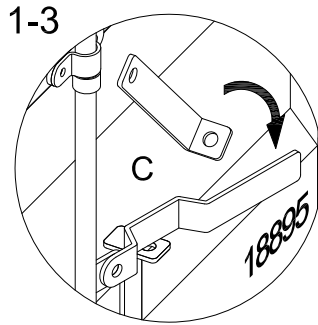
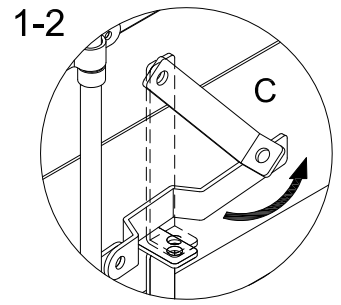
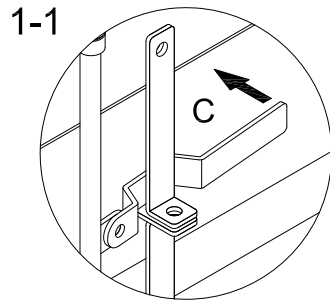
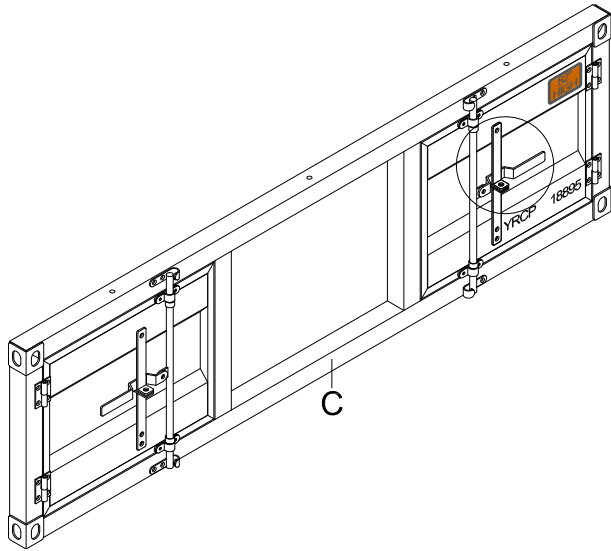


HARDWARE LIST

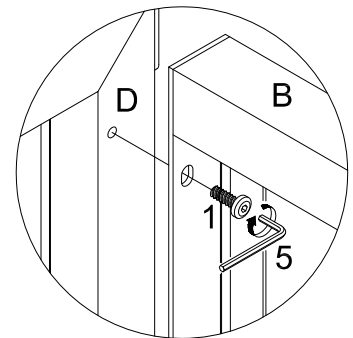
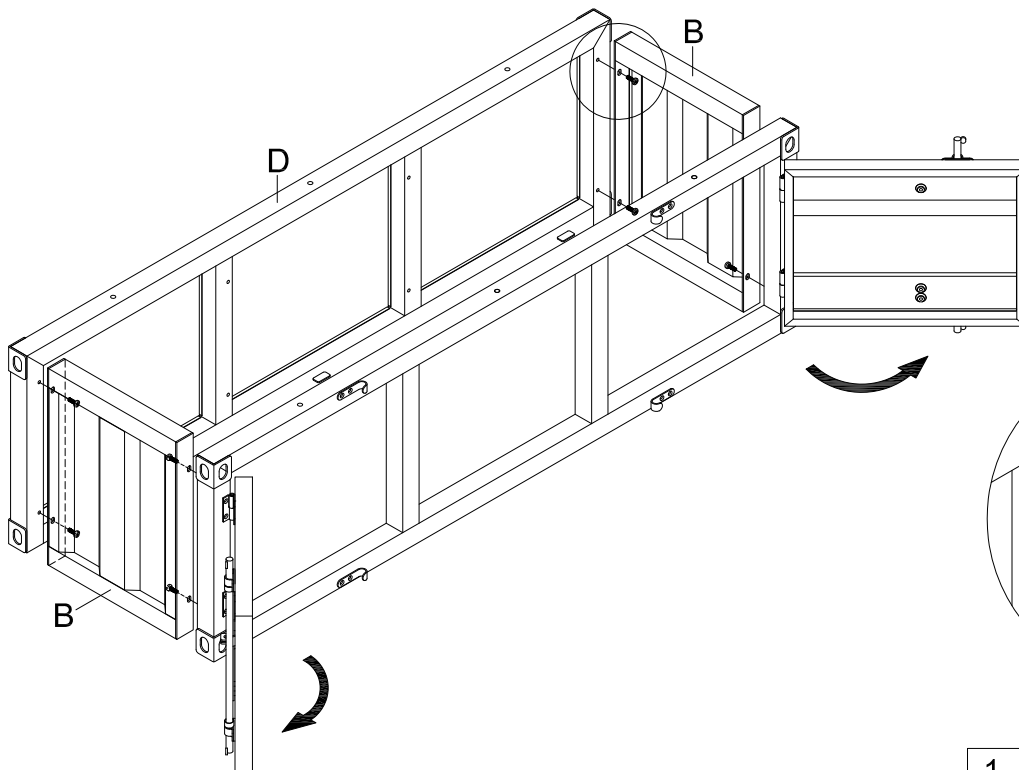
1		8pcs	2		4pcs	3		2pcs
4		8pcs	5		1pc			

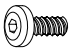


STEP 1.

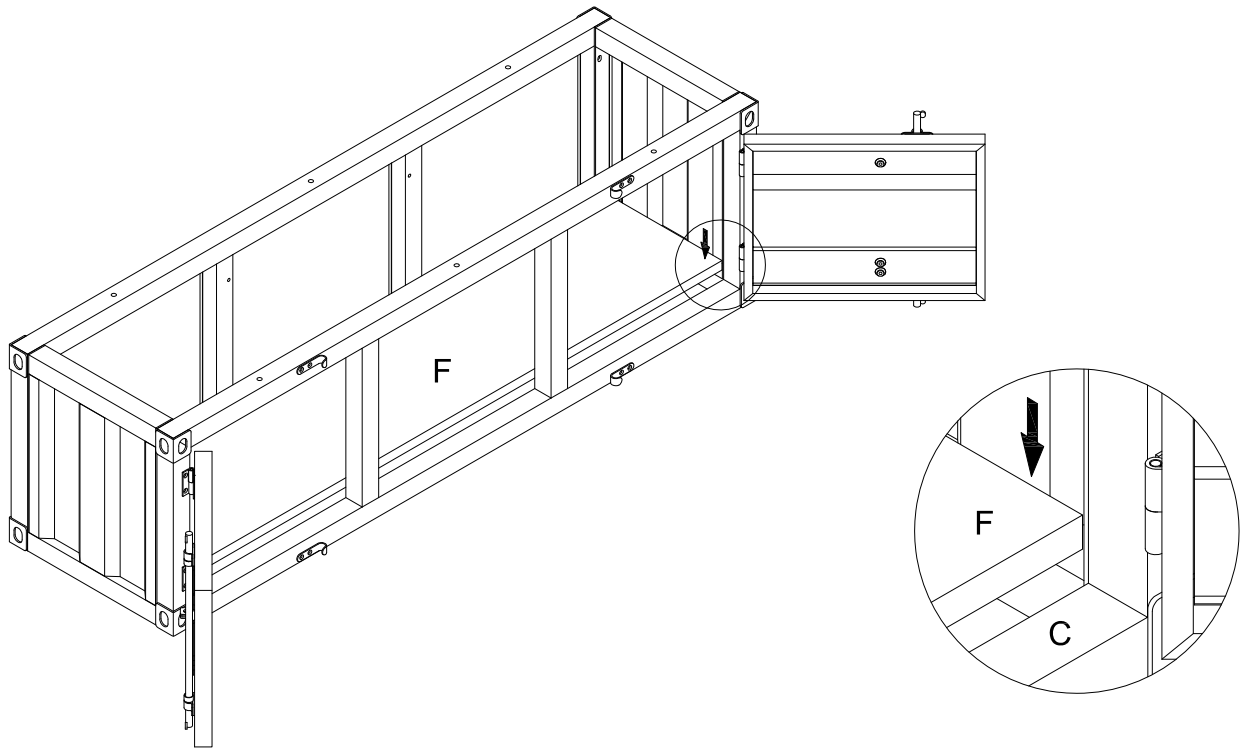


STEP 2.

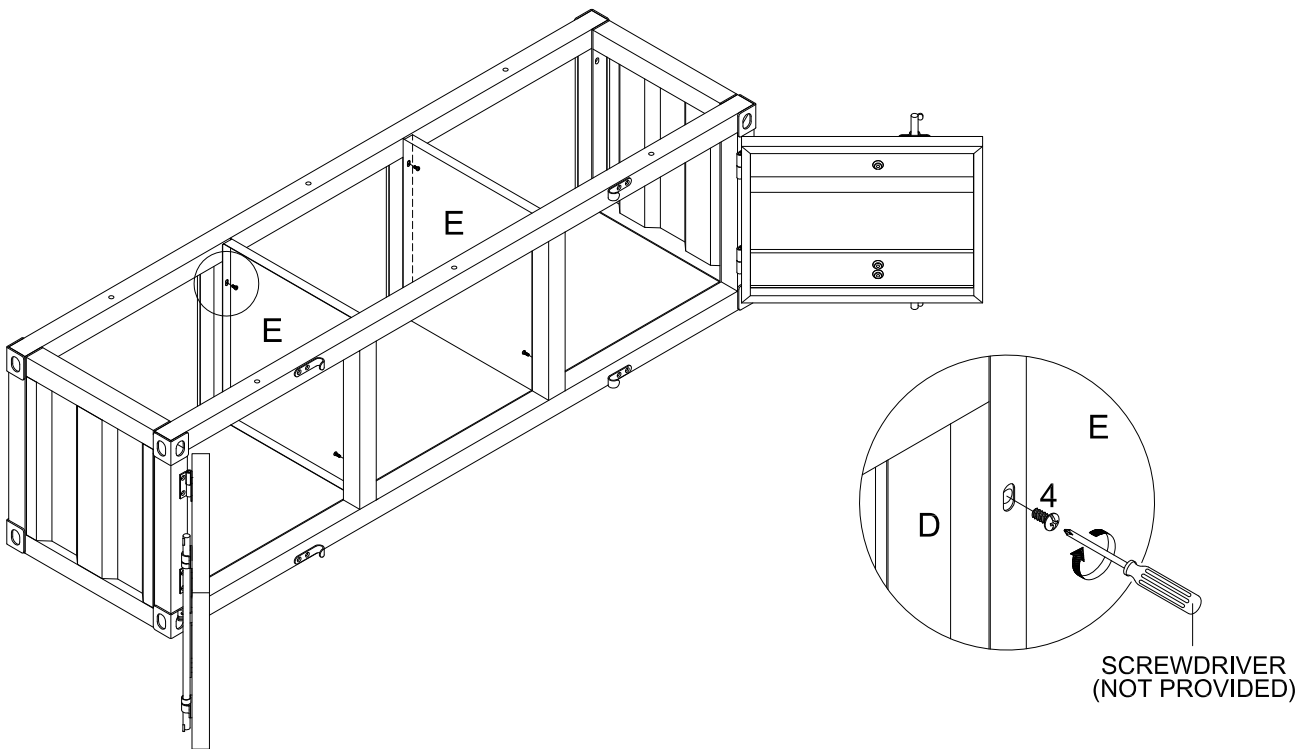


1		8pcs
M6x15		

STEP 3.

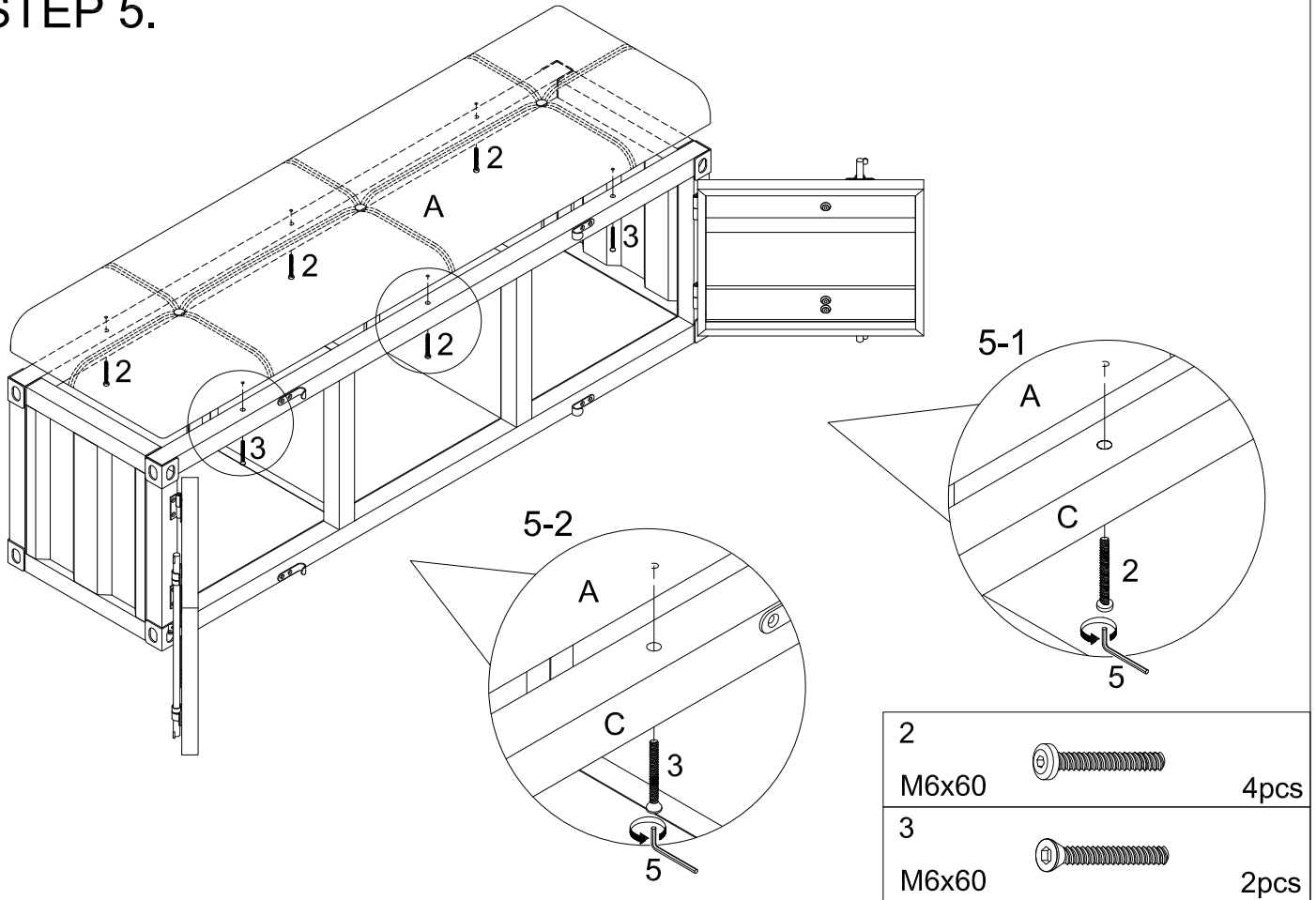


STEP 4.



4
M5x10  8pcs

STEP 5.



STEP 6.

