

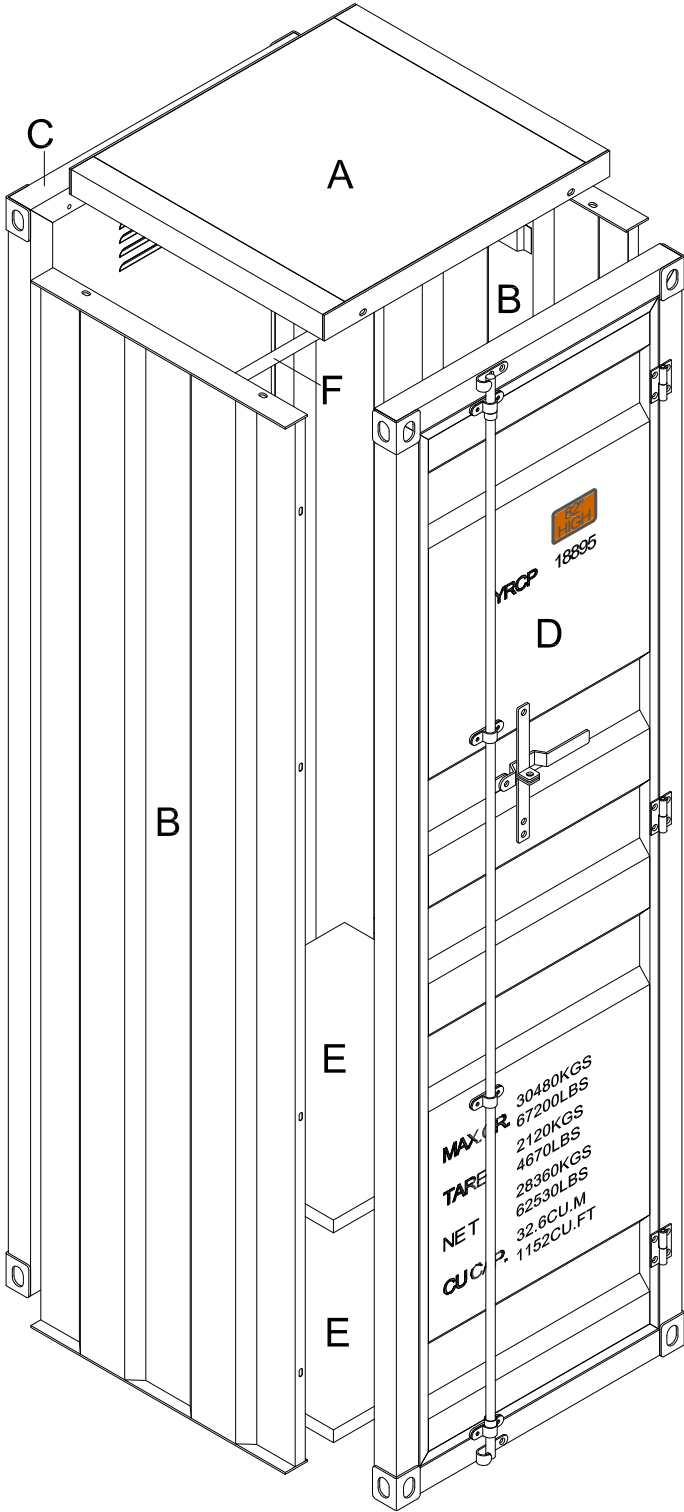
# ASSEMBLY INSTRUCTIONS

ITEM NO.:35926/35911/35955/35941

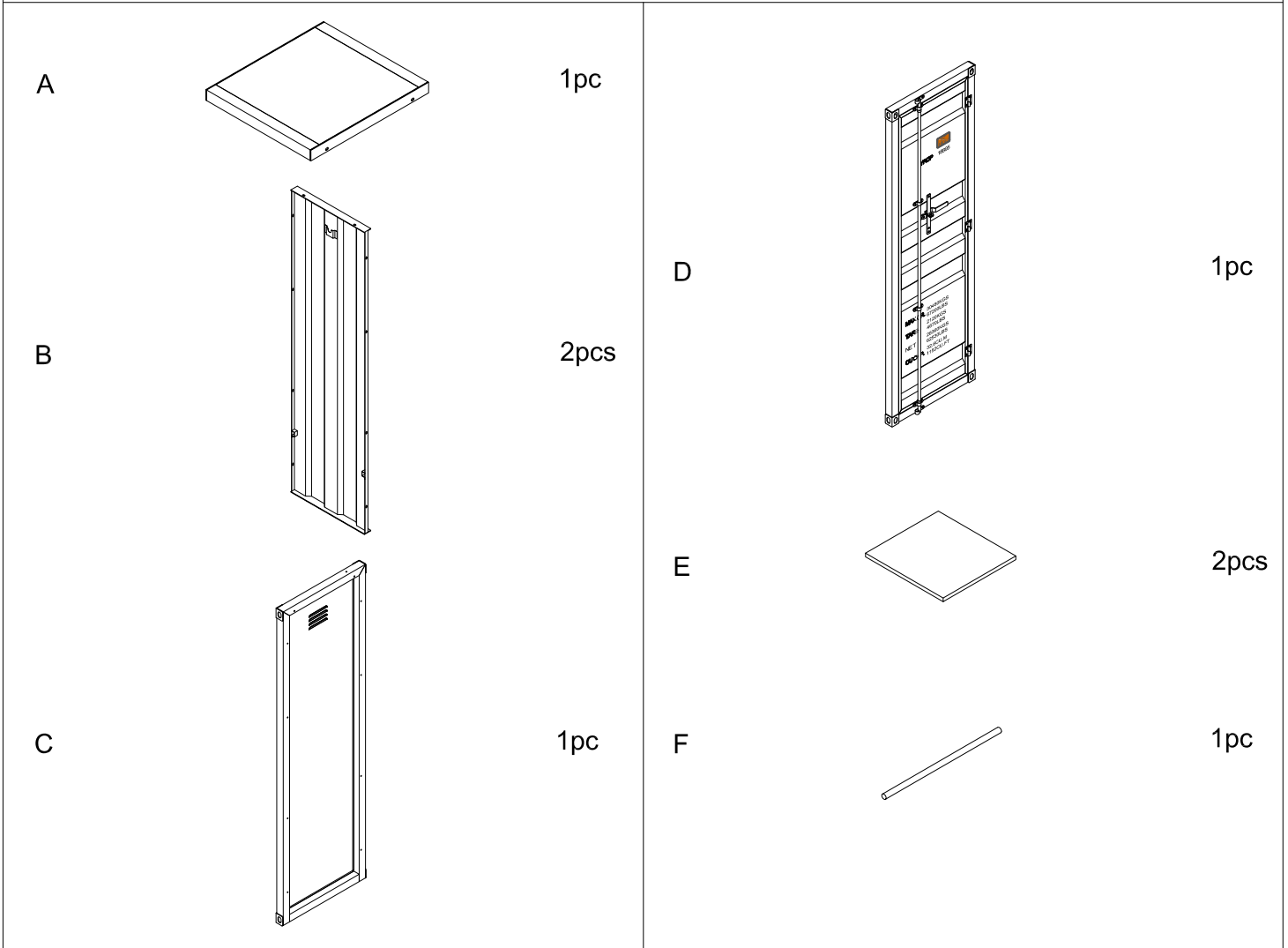


**Do not tighten screws until completely assembled.**


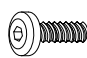

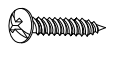

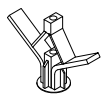

# PARTS IDENTIFICATION

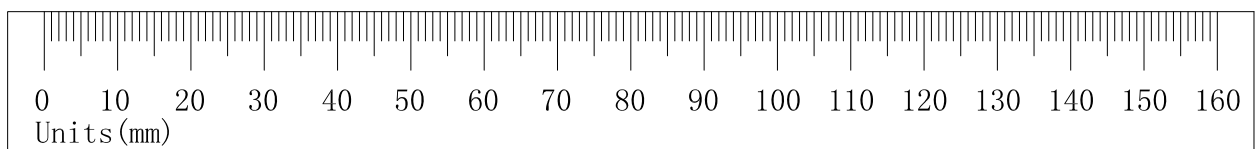


# PARTS IDENTIFICATION

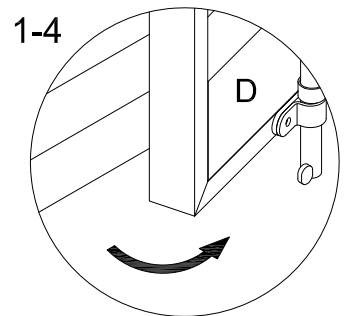
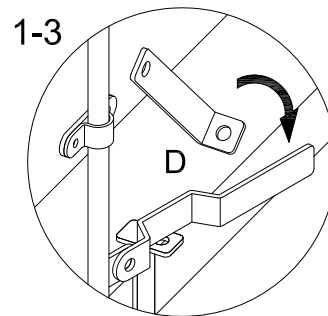
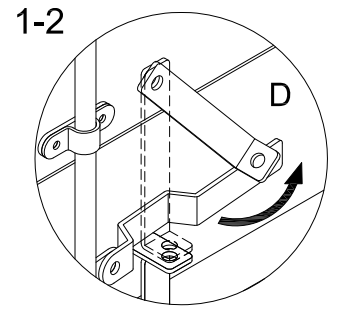
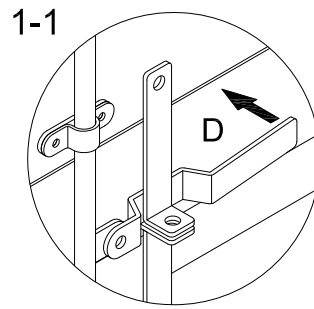
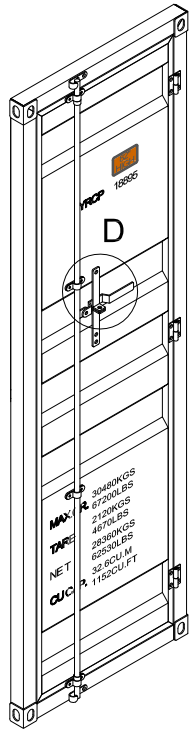


# HARDWARE LIST

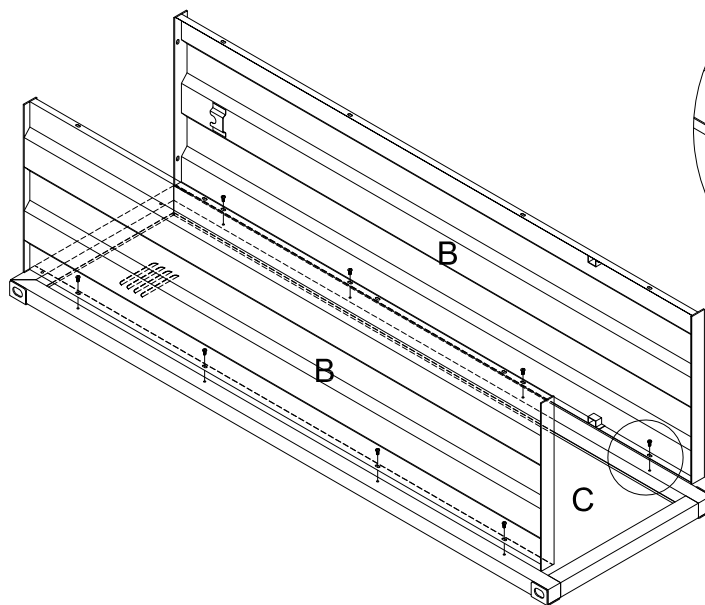
1 M5x10  16pcs	2 M6x15  9pcs	3 4x4  1pc
4 M4x37  1pc	5  2pcs	6  1pc
7  1pc		



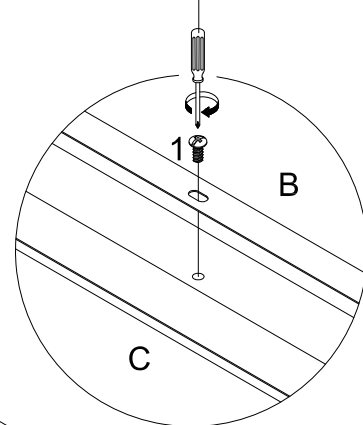
# STEP 1.



# STEP 2.



SCREWDRIVER  
(NOT PROVIDED)



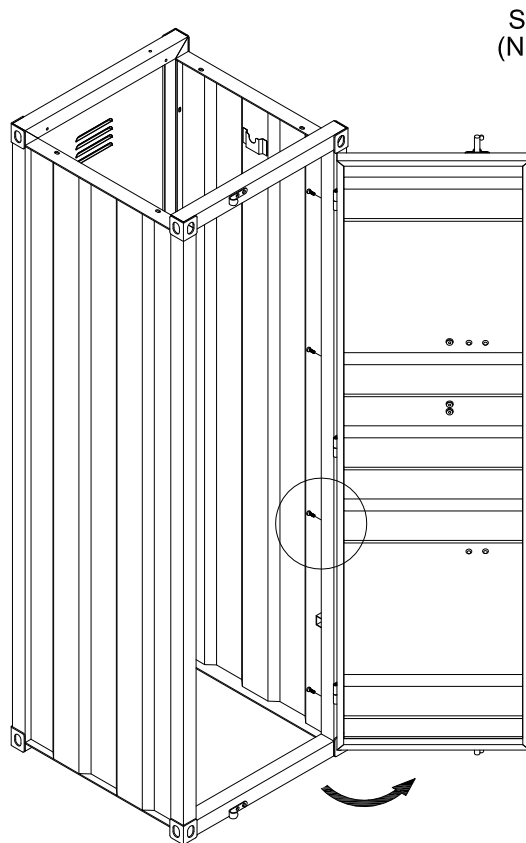
1

M5x10

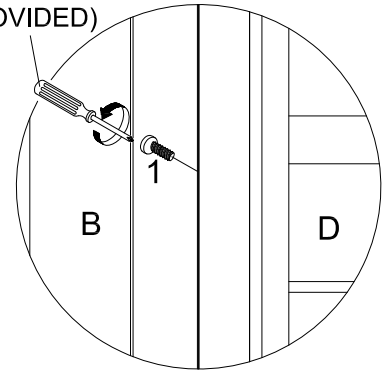



8pcs

# STEP 3.

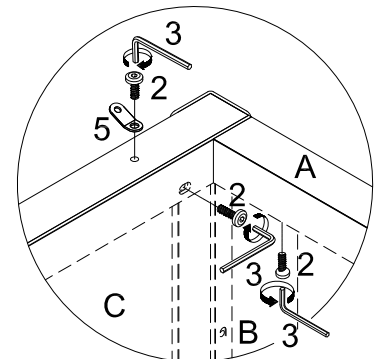
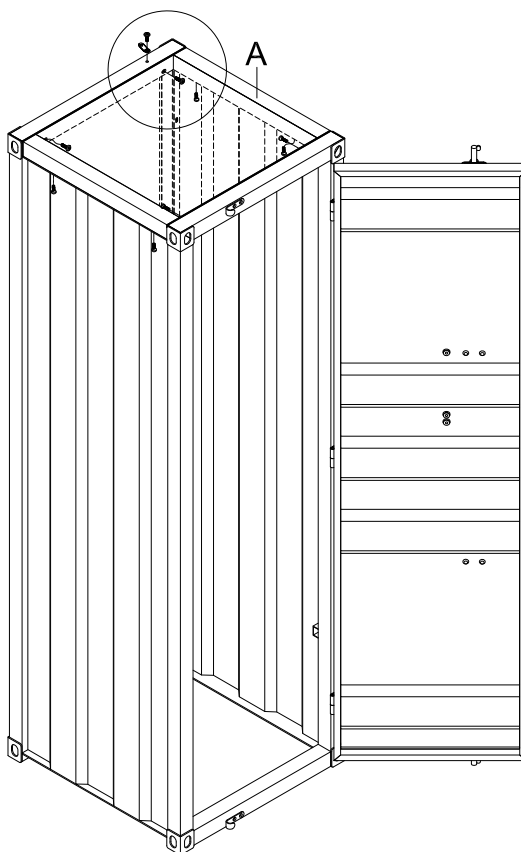




SCREWDRIVER  
(NOT PROVIDED)



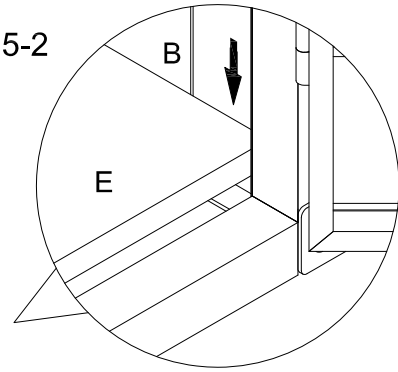
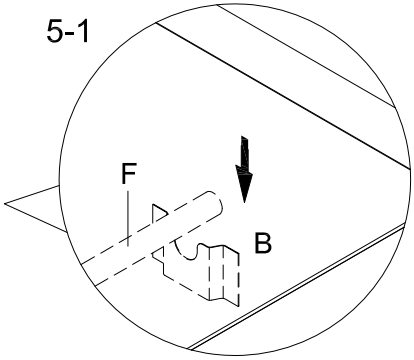
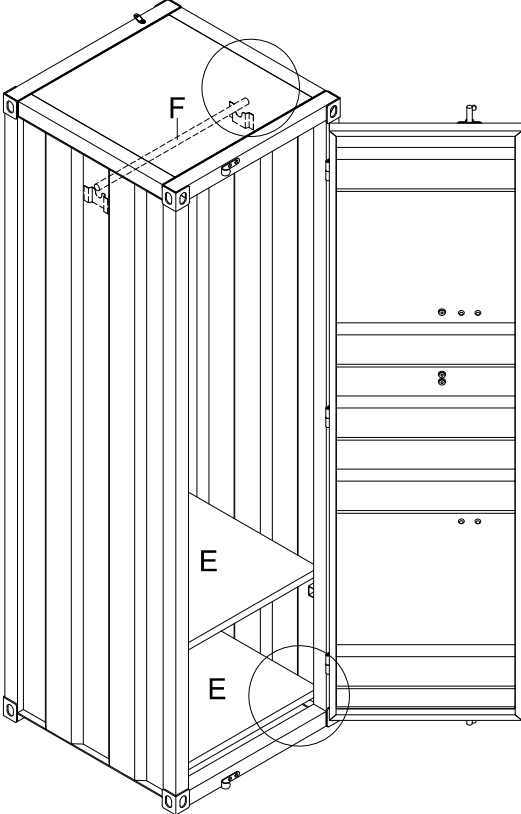
1		8pcs
M5x10		

# STEP 4.



2		9pcs
M6x15		
5		1pc

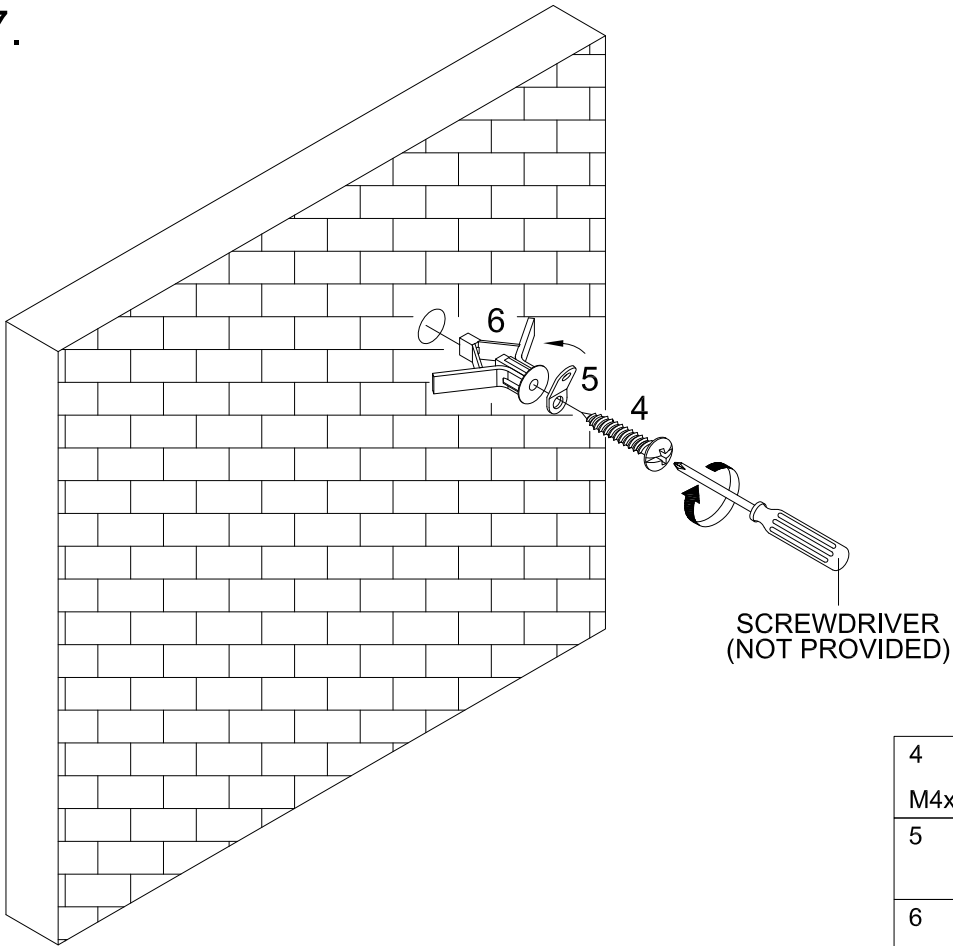
# STEP 5.



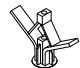


# STEP 6.

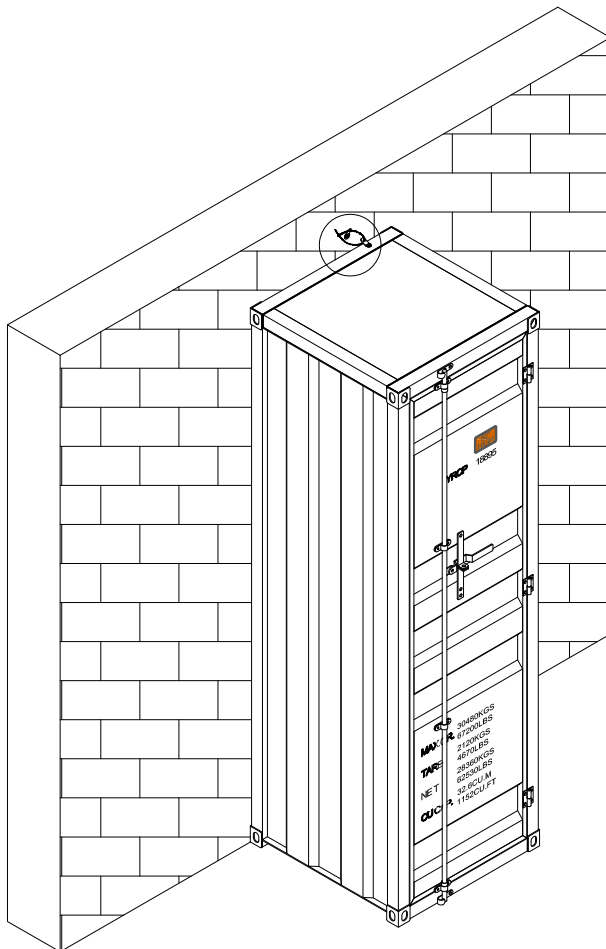


# STEP 7.

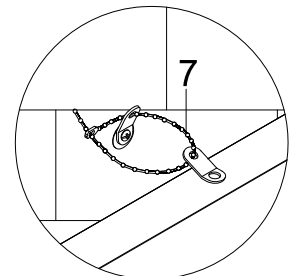


4		1pc
5		1pc
6		1pc

# STEP 8.



To Prevent Tip over  
Product Must Be  
Attached To Wall



7		1pc
---	---	-----