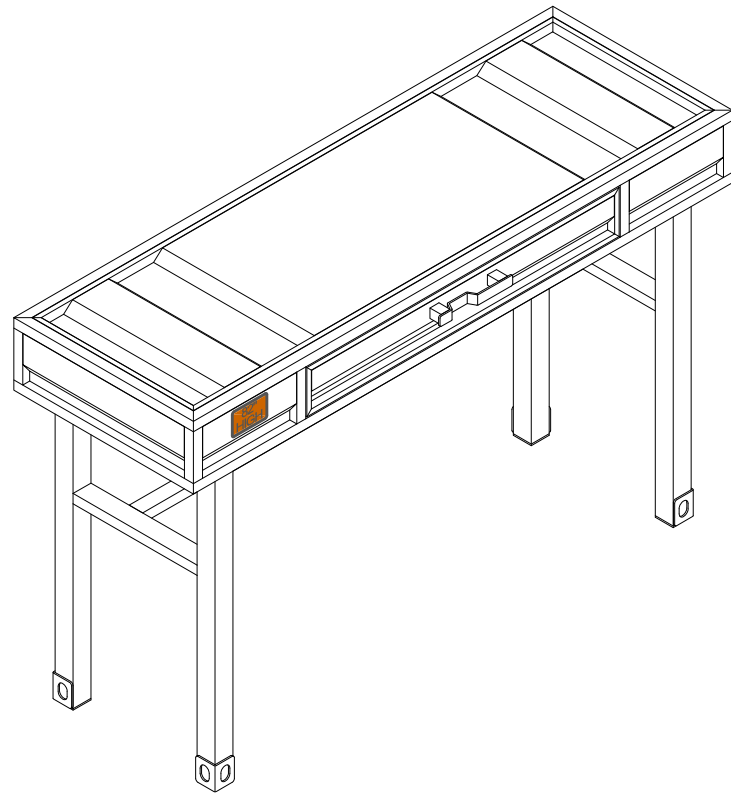


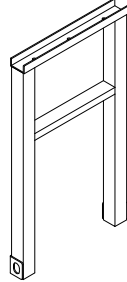
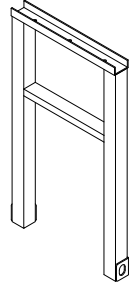
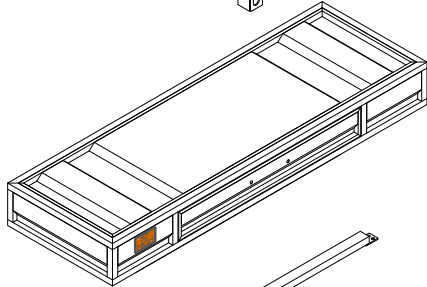
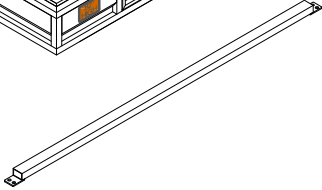
ASSEMBLY INSTRUCTIONS

ITEM NO.:35924/35909/35953/35939





Do not tighten screws until completely assembled.

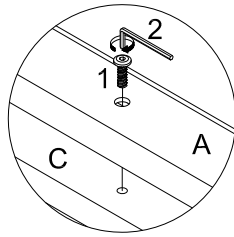
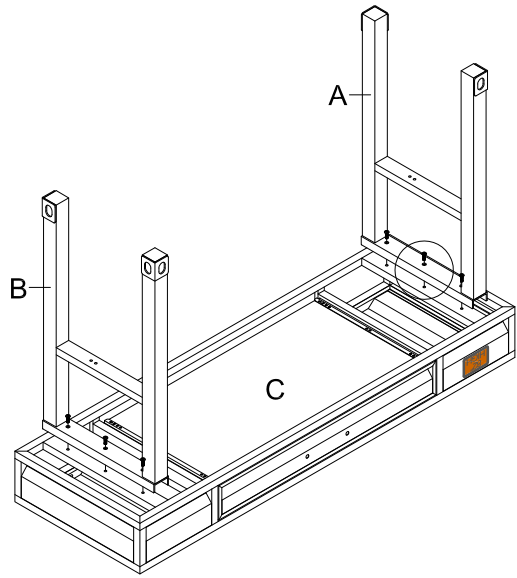
PARTS IDENTIFICATION


A		Left	1pc
B		Right	1pc
C			1pc
D			1pc

HARDWARE LIST

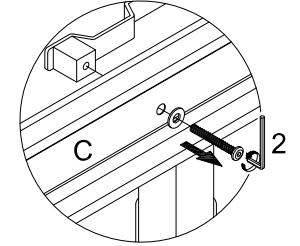
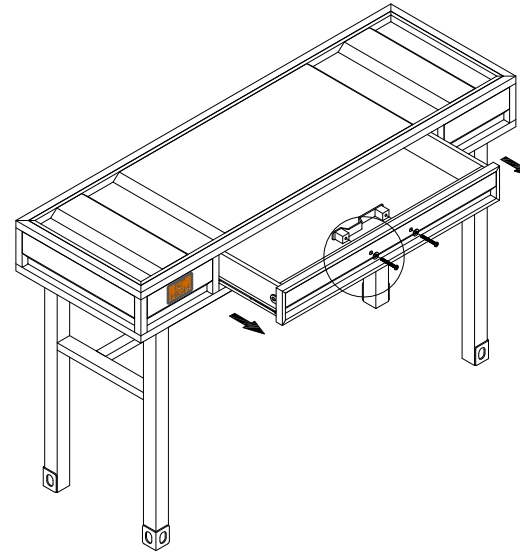
1		2	
M6x15	10pcs	4x4	1pc

STEP 1.

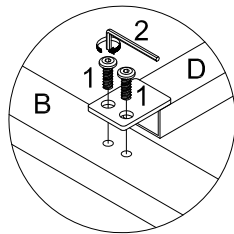
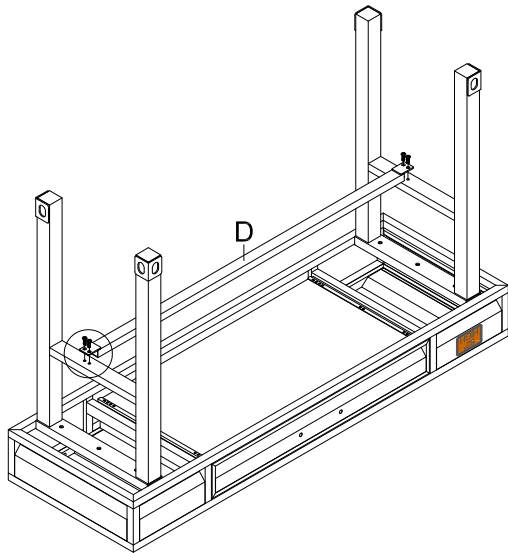



1
M6x15  6pcs

STEP 3.



STEP 2.



1
M6x15  4pcs

STEP 4.

