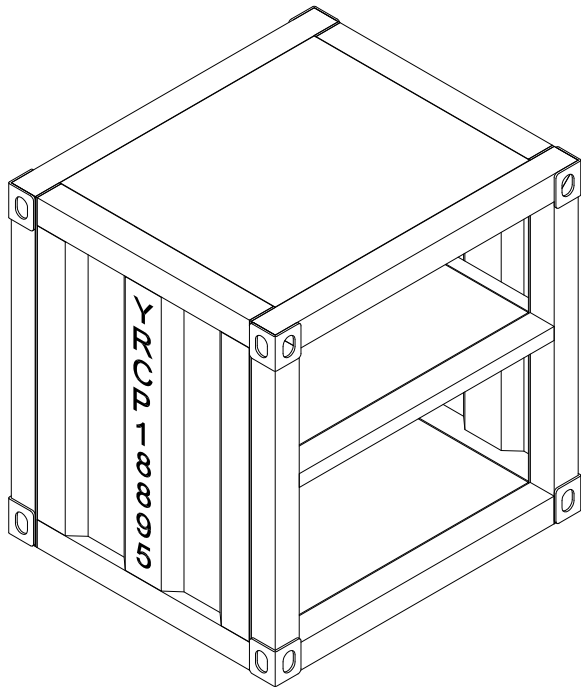


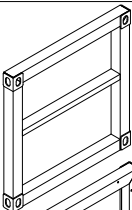
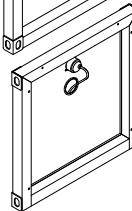
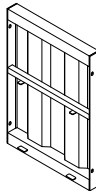
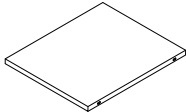
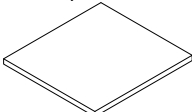
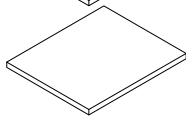
ASSEMBLY INSTRUCTIONS

ITEM NO.:35922/35907/35950/35937






Do not tighten screws until completely assembled.

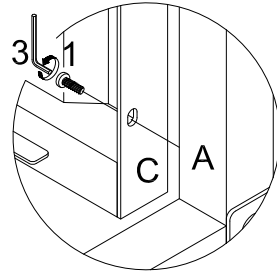
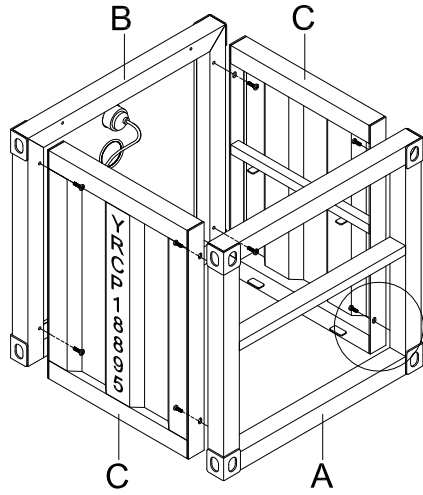
PARTS IDENTIFICATION


A			1pc
B			1pc
C			2pcs
D		Top	1pc
E		Middle	1pc
F		Bottom	1pc

HARDWARE LIST

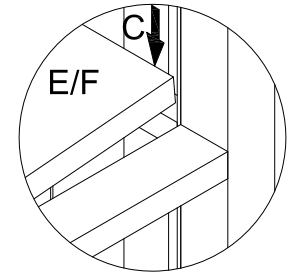
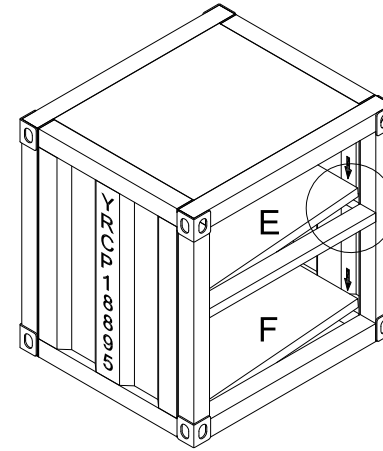
1		8pcs	2		4pcs	3		1pc
M6x15			M5x10			4x4		

STEP 1.

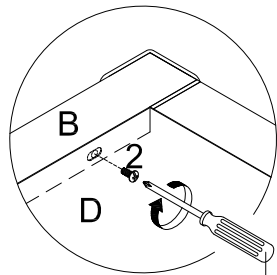
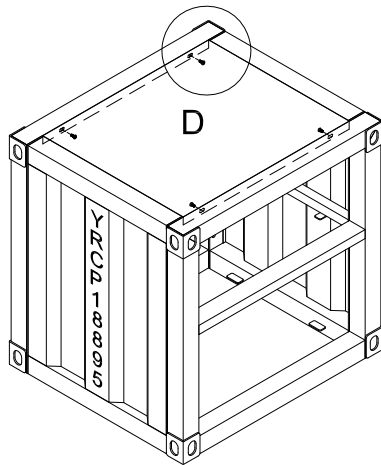


1
M6x15  8pcs


STEP 3.



STEP 2.



SCREWDRIVER
(NOT PROVIDED)

2
M5x10  4pcs

STEP 4.

