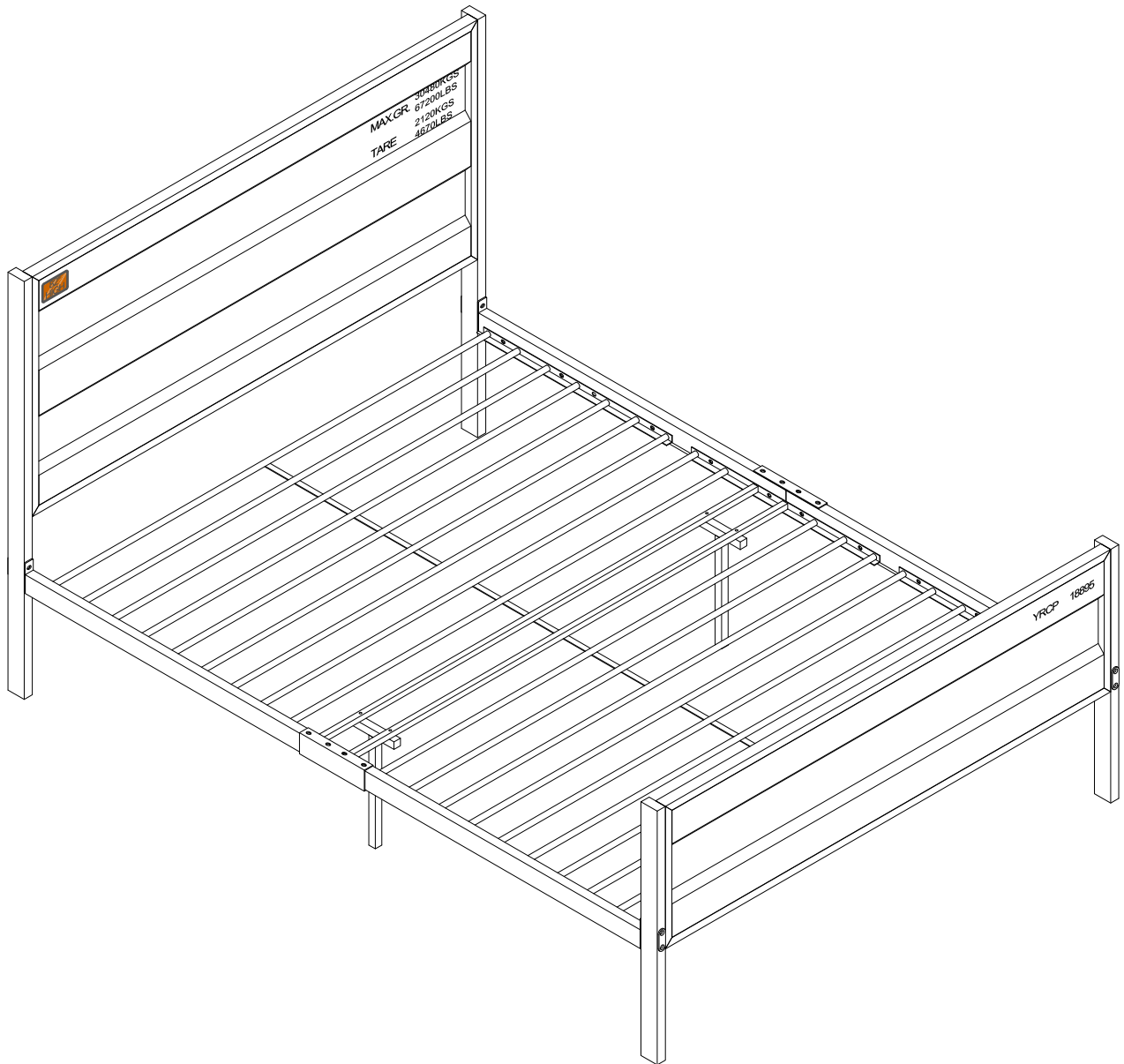


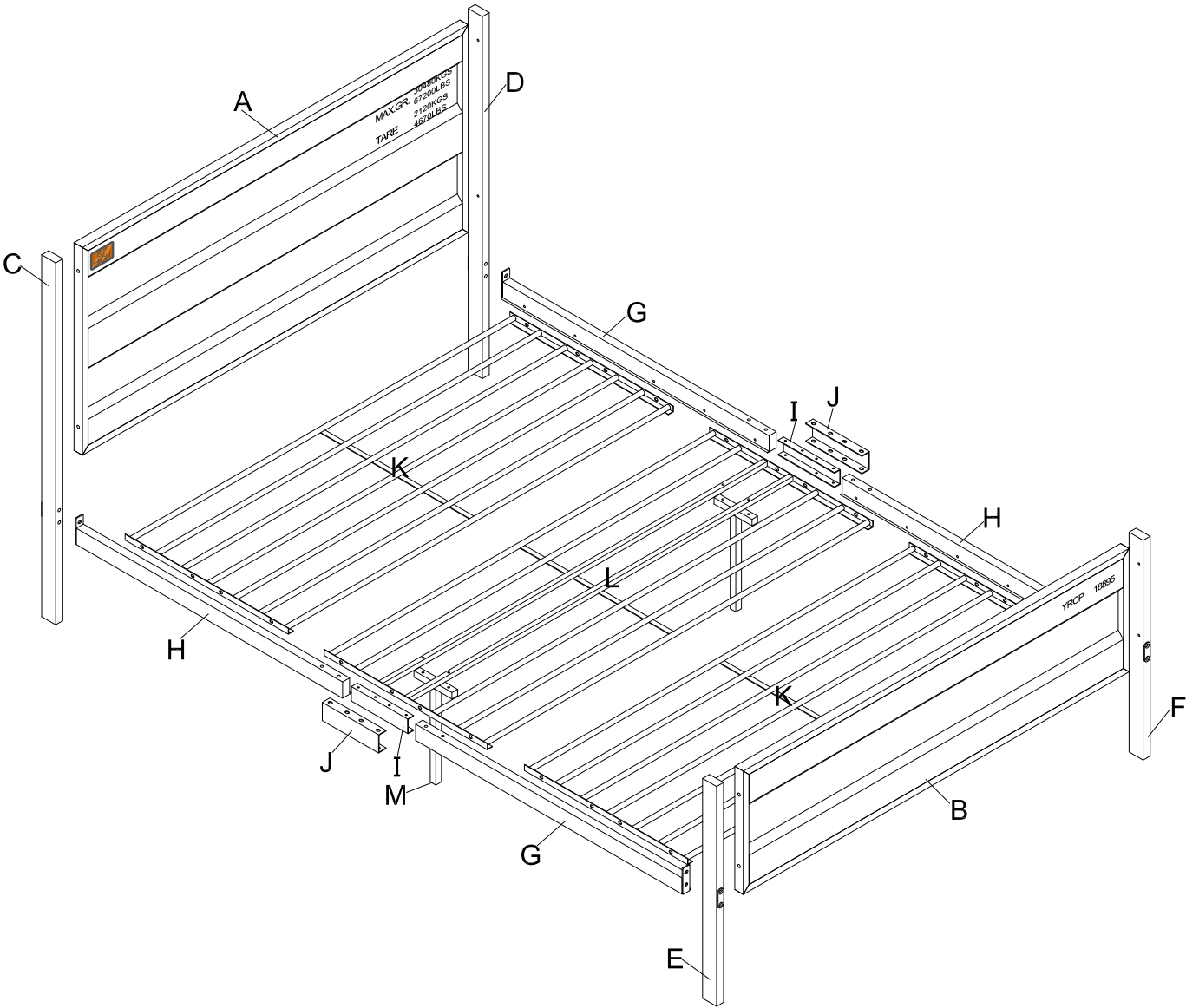
ASSEMBLY INSTRUCTIONS

ITEM NO.:35915/35905/35945/35935

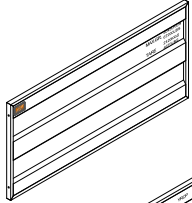
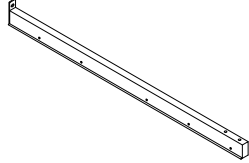
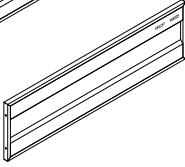
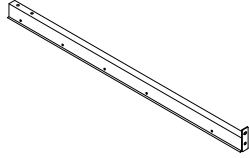

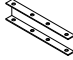
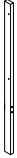
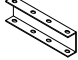

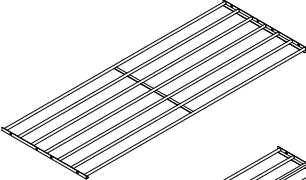

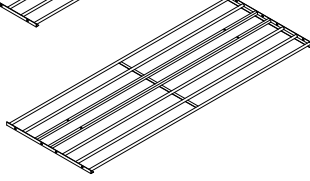



Do not tighten screws until completely assembled.






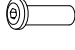


PARTS IDENTIFICATION

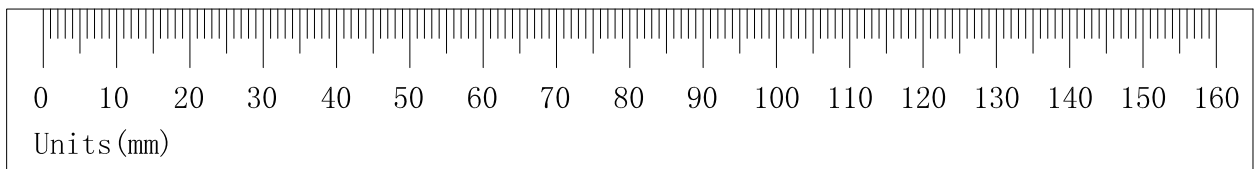


PARTS IDENTIFICATION

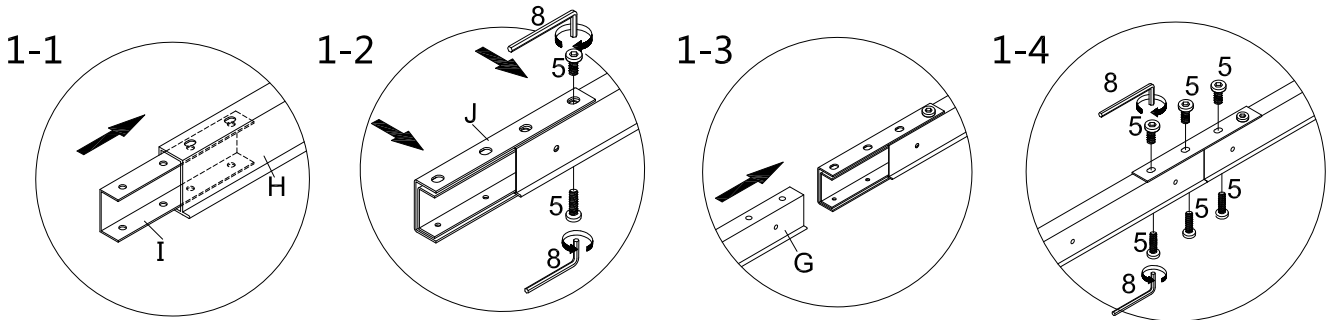
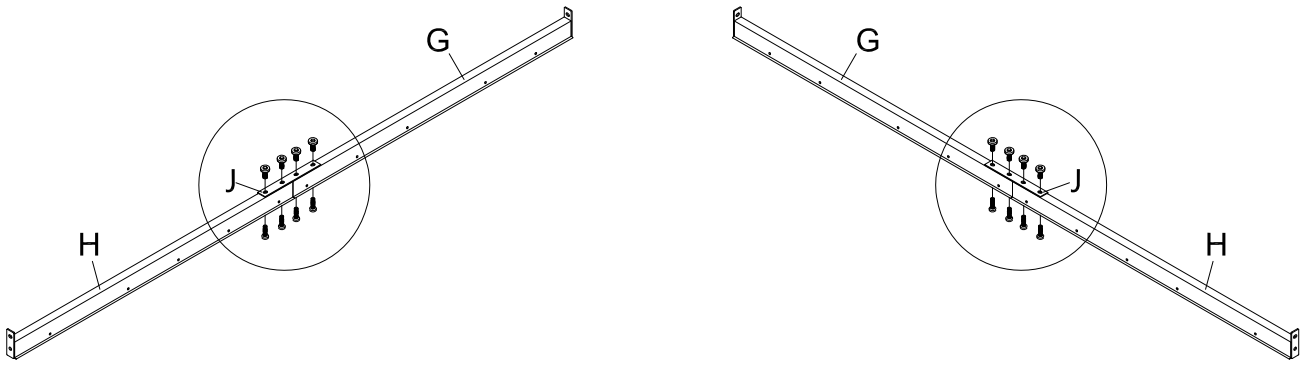
A		1pc		G		2pcs
B		1pc		H		2pcs
C		1pc		I		2pcs
D		1pc		J		2pcs
E		1pc		K		2pcs
F		1pc		L		1pc
				M		2pcs

HARDWARE LIST

1  M6x15 20pcs	2  M6x30 12pcs	3  M6x40 4pcs
4  M6x75 4pcs	5  M8x15 16pcs	6  M6x27 4pcs
7  4x4 2pcs	8  5x5 1pc	

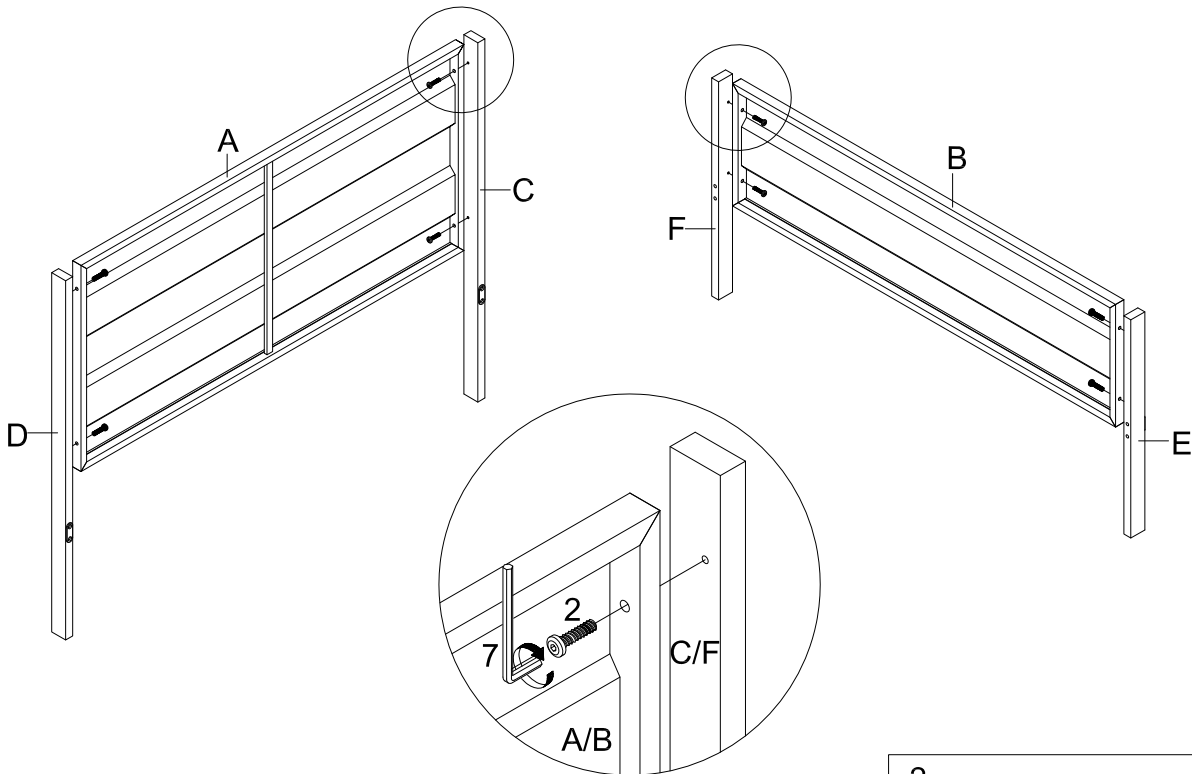



STEP 1.



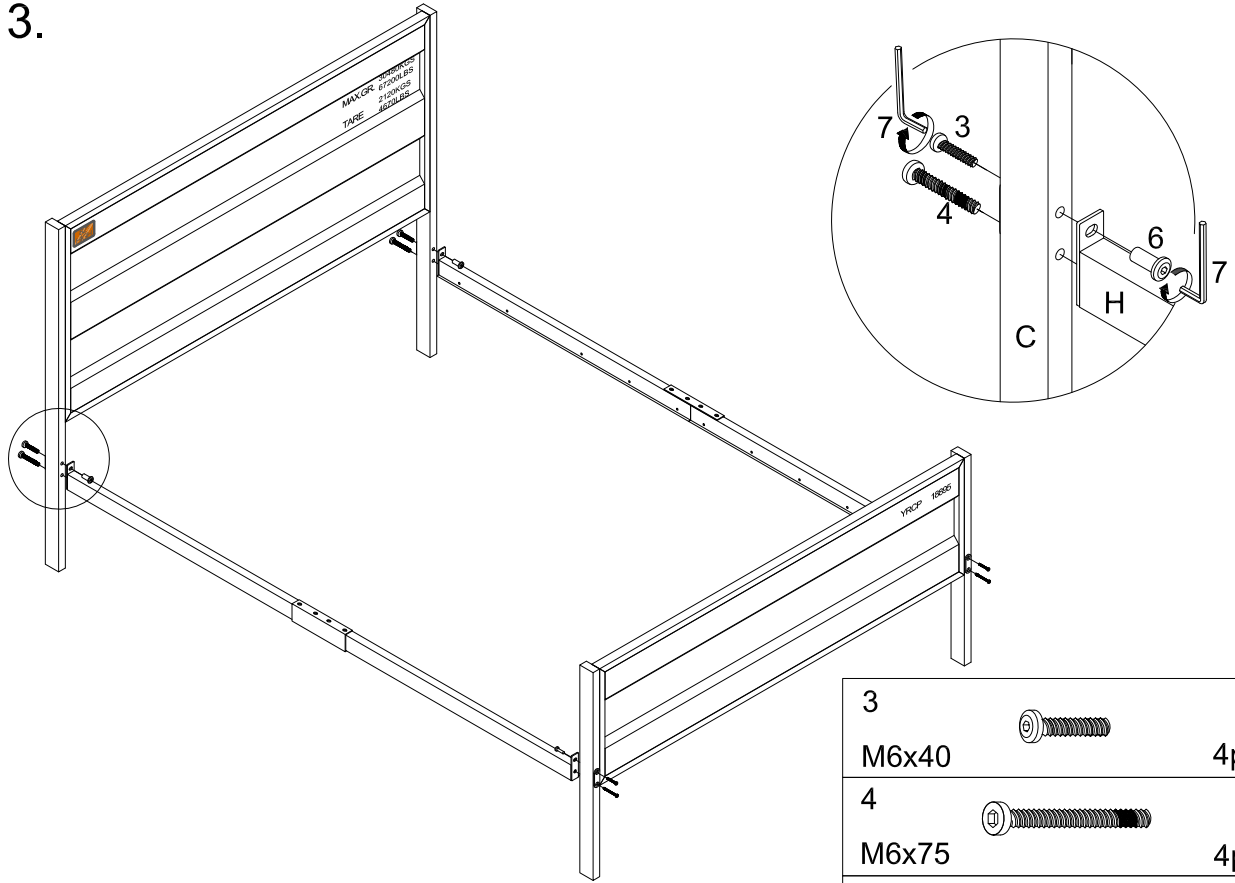
5		
M8x15		16pcs

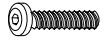

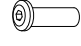
STEP 2.



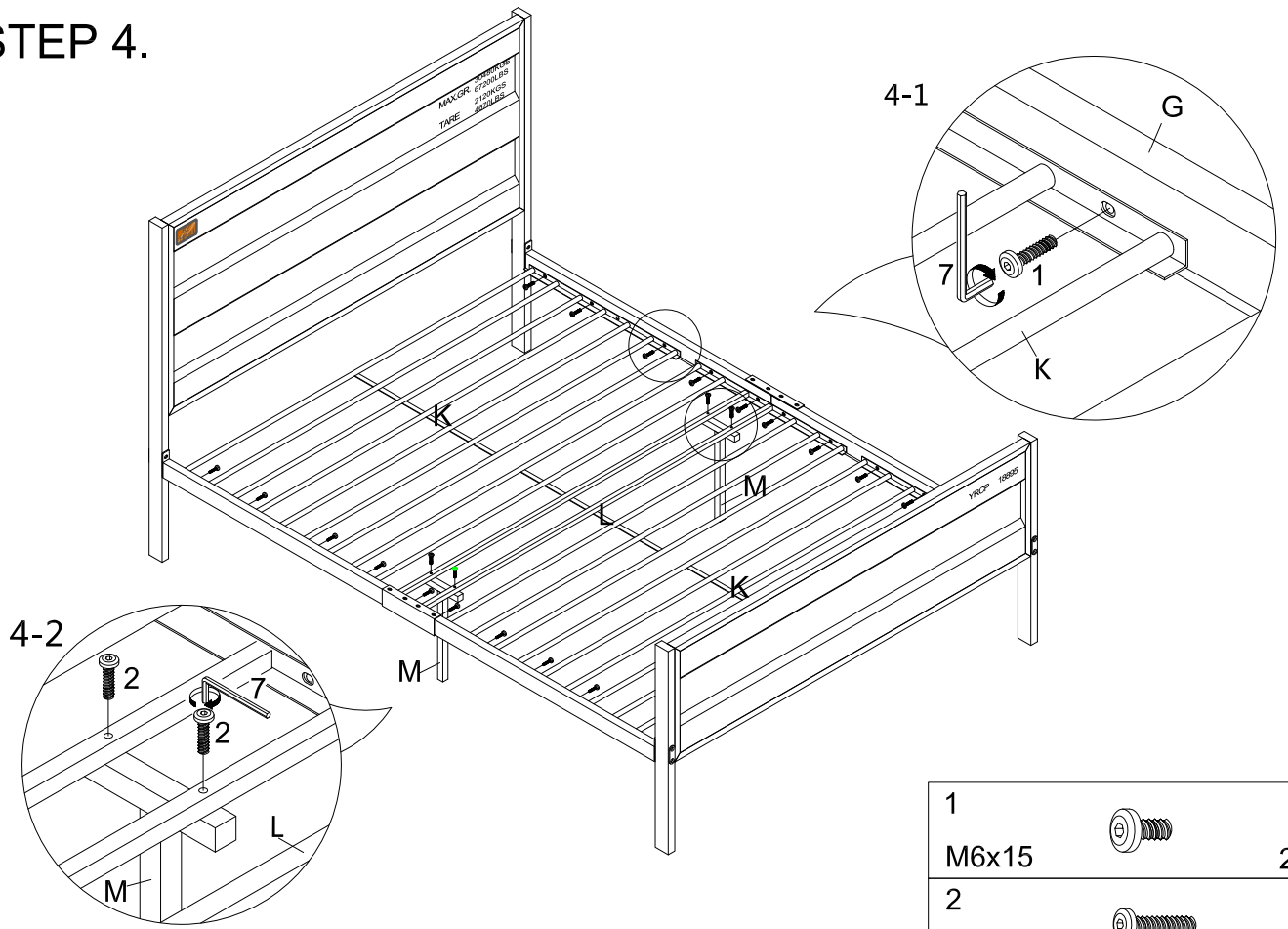
2		
M6x30		8pcs



STEP 3.



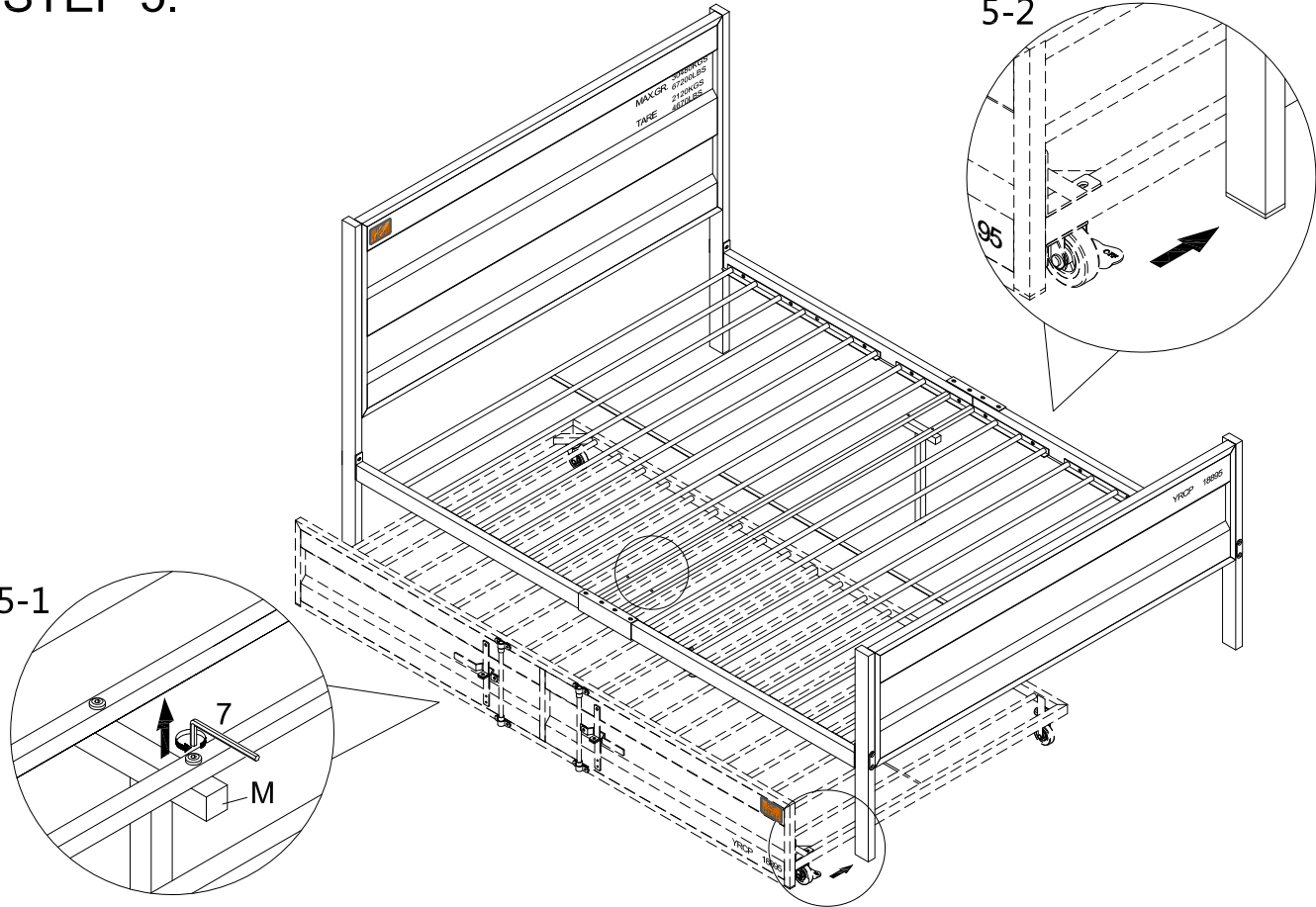
3		4pcs
M6x40		
4		4pcs
M6x75		
6		4pcs
M6x27		

STEP 4.



1		20pcs
M6x15		
2		4pcs
M6x30		

STEP 5.



STEP 6.

