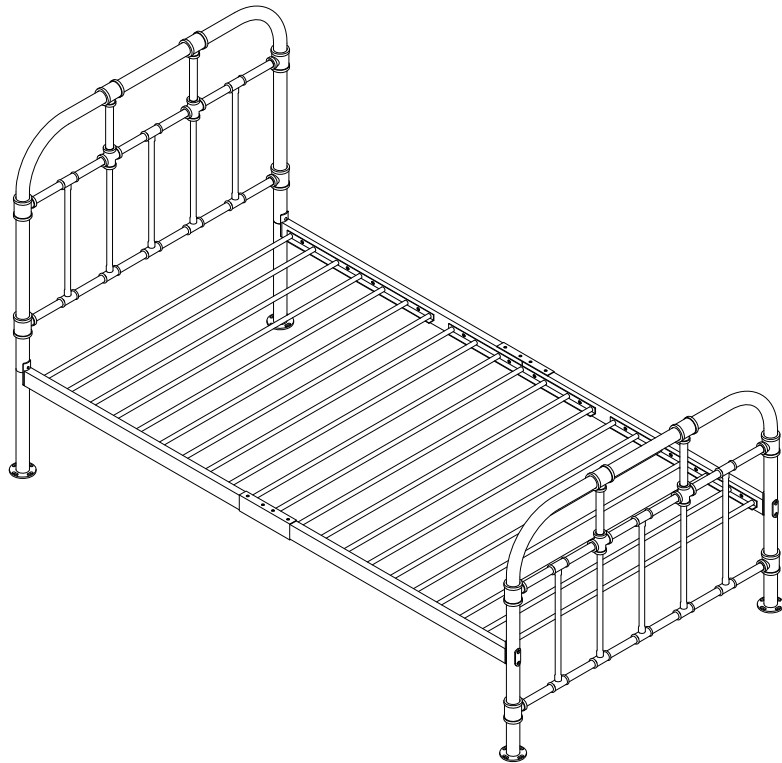


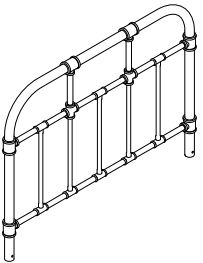
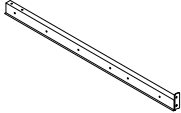
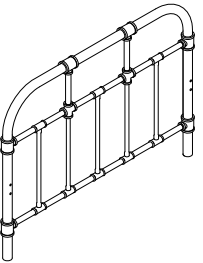



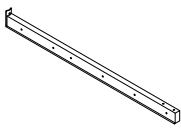
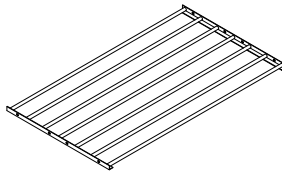

ASSEMBLY INSTRUCTIONS

ITEM NO.:30730T













Do not tighten screws until completely assembled.

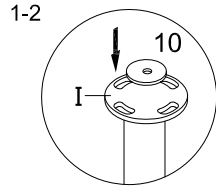
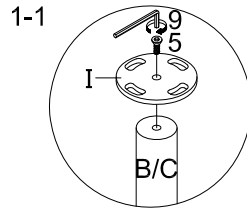
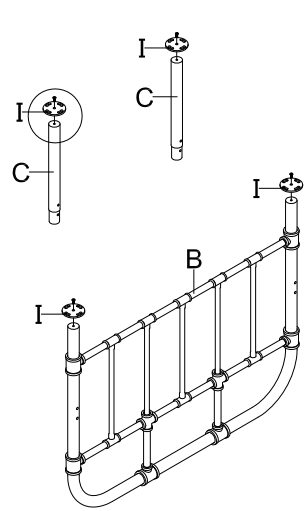
PARTS IDENTIFICATION

A		1pc	E		2pcs
B		1pc	F		2pcs
C		2pcs	G		2pcs
D		2pcs	H		3pcs
			I		4pcs

HARDWARE LIST

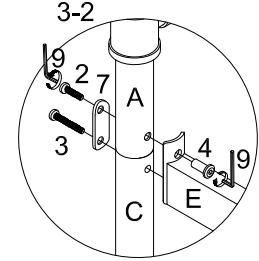
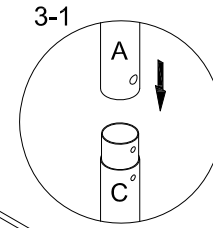
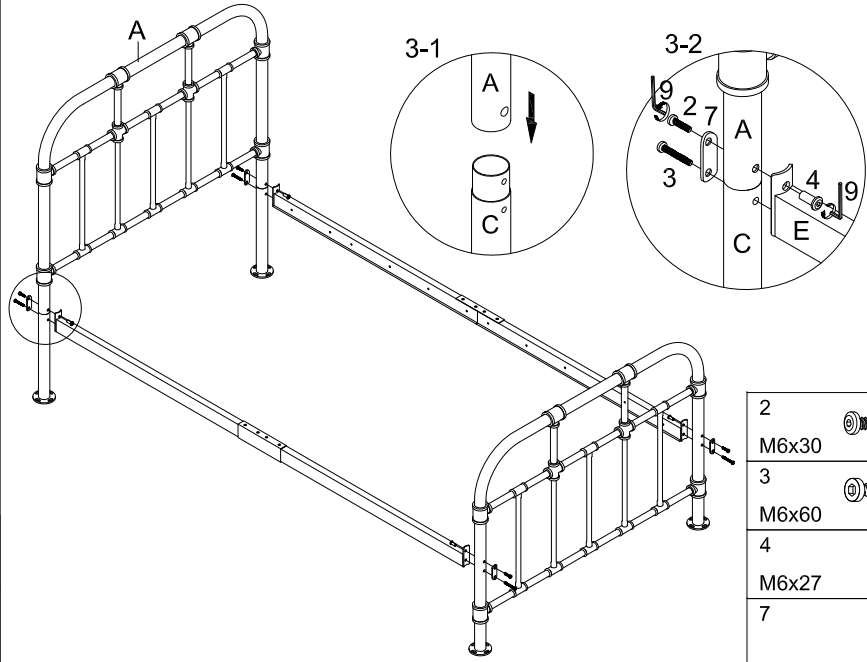
1		M6x15	20pcs	2		M6x30	4pcs	3		M6x60	4pcs
4		M6x27	4pcs	5		M6x25	4pcs	6		M8x15	16pcs
7			4pcs	8		5x5	1pc	9		4x4	2pcs
10		Ø40x1.5	4pcs								

STEP 1.



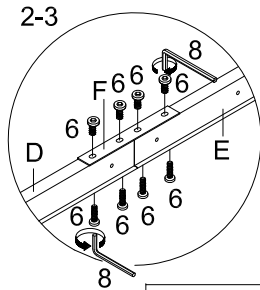
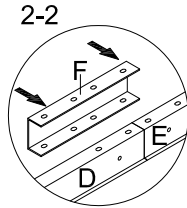
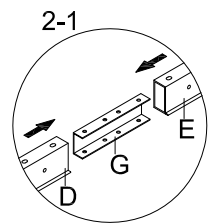
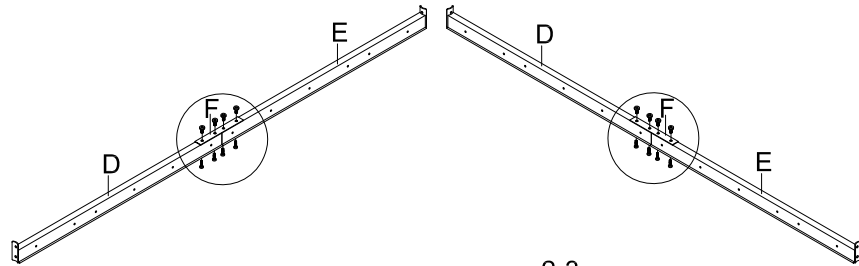
5		4pcs
M6x25		
10		4pcs
∅40x1.5		

STEP 3.



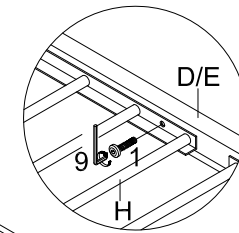
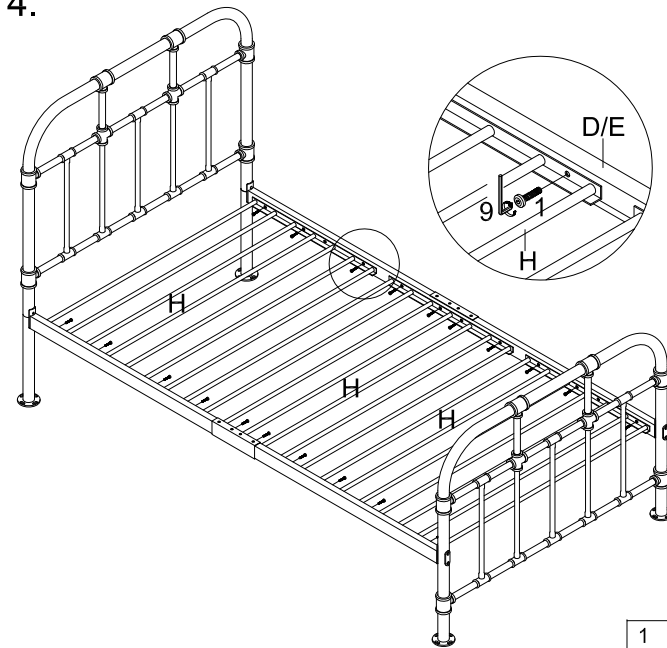
2		4pcs
M6x30		
3		4pcs
M6x60		
4		4pcs
M6x27		
7		4pcs

STEP 2.



6		16pcs
M8x15		

STEP 4.



1		20pcs
M6x15		