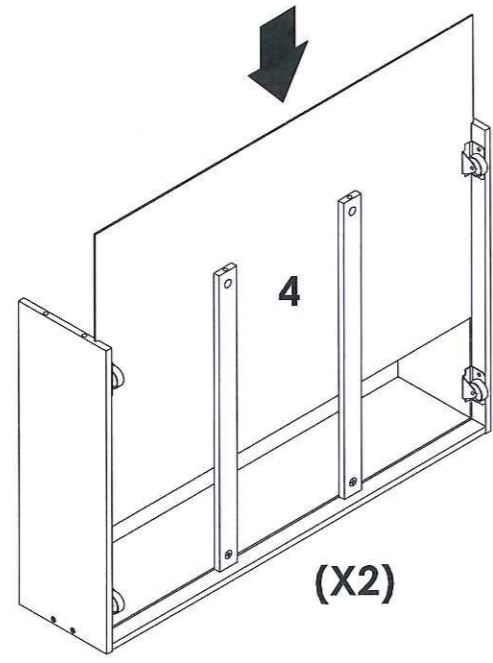


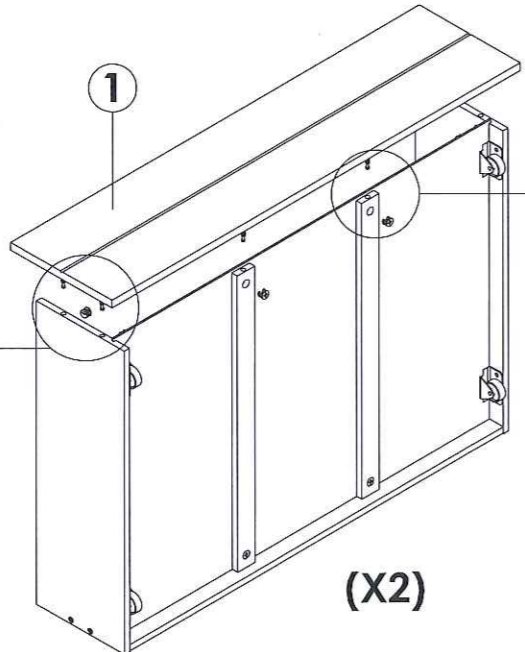
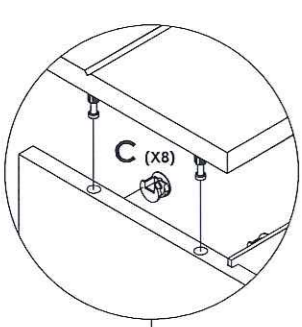
(X2)

STEP 4
Attach and secure **Base Support** onto **Rear Panel** and insert **(C)** to tighten it up by using Crosshead Screw Driver.



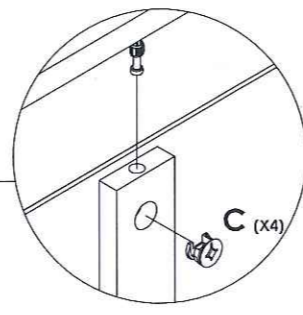
(X2)

STEP 5
Slot **Base Panel** into the groove provided at previous assembly.



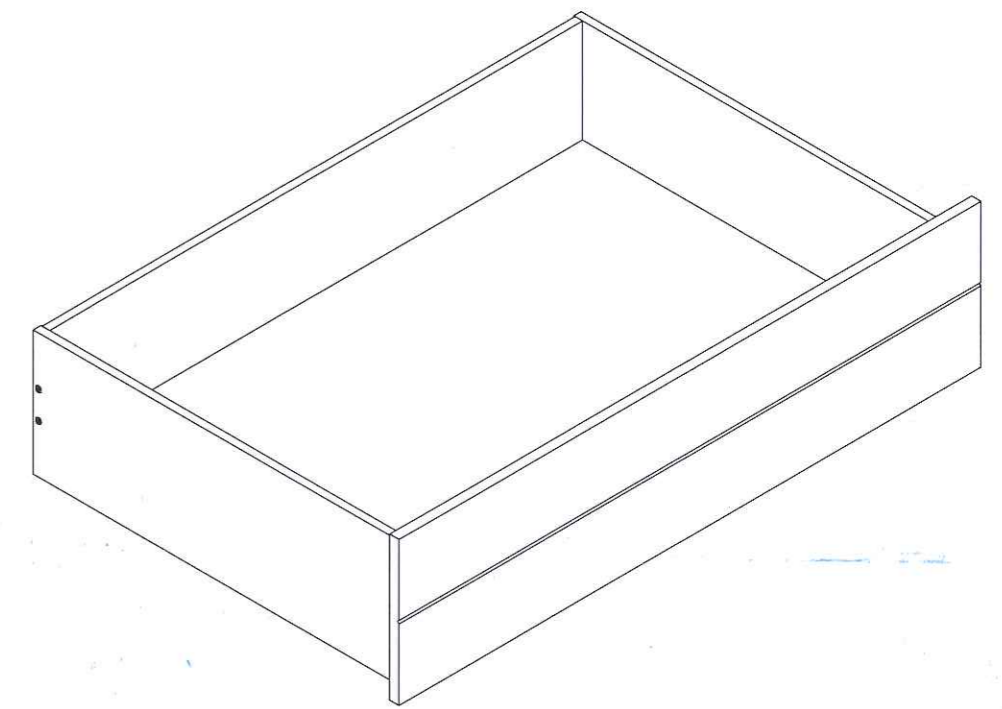
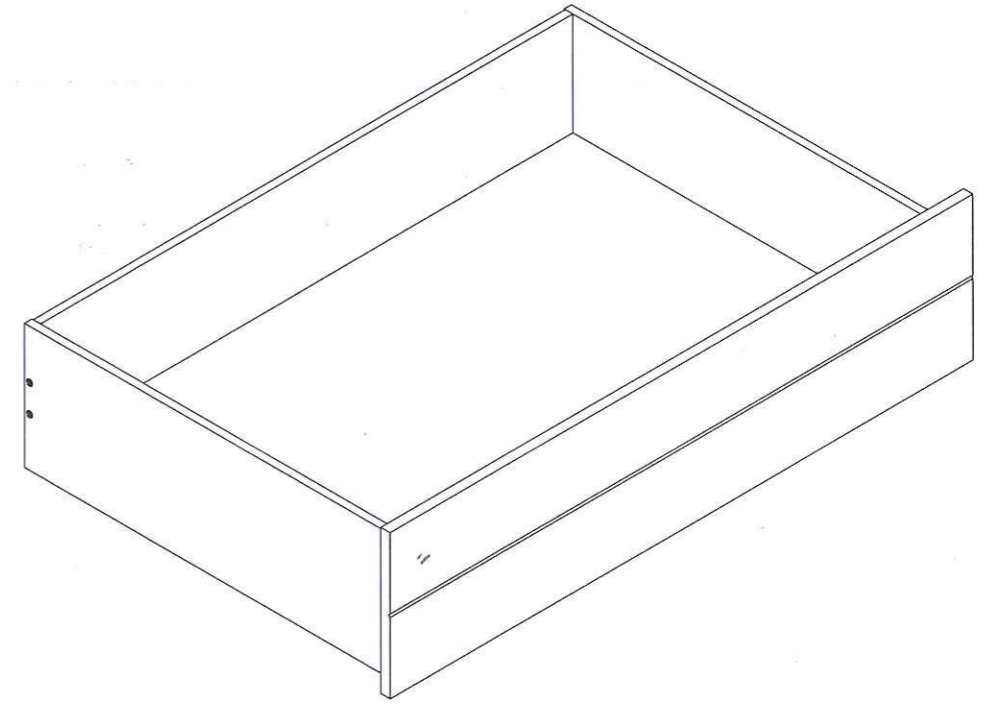
(X2)

STEP 6
Attach and secure **Front Panel** onto previous assembly and insert **(C)** to tighten it up by using Crosshead Screw Driver. Go on to complete the entire assembly.

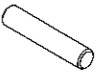
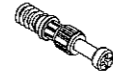
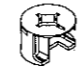



ASSEMBLY INSTRUCTION

MODEL : 30624 BED DRAWERS (W935 x D615 x H240)MM



HARDWARE LIST

A  PLASTIC DOWEL (M6 x 30MM) 8 PCS	B  CONNECTING BOLT (24MM) 16 PCS	C  MINIFIX (9MM) 16 PCS
D  CSK C/B SCREW (M4 x 32MM) 8 PCS	Tools Required : Crosshead Screw Driver Rubber Hammer	

PART LIST

