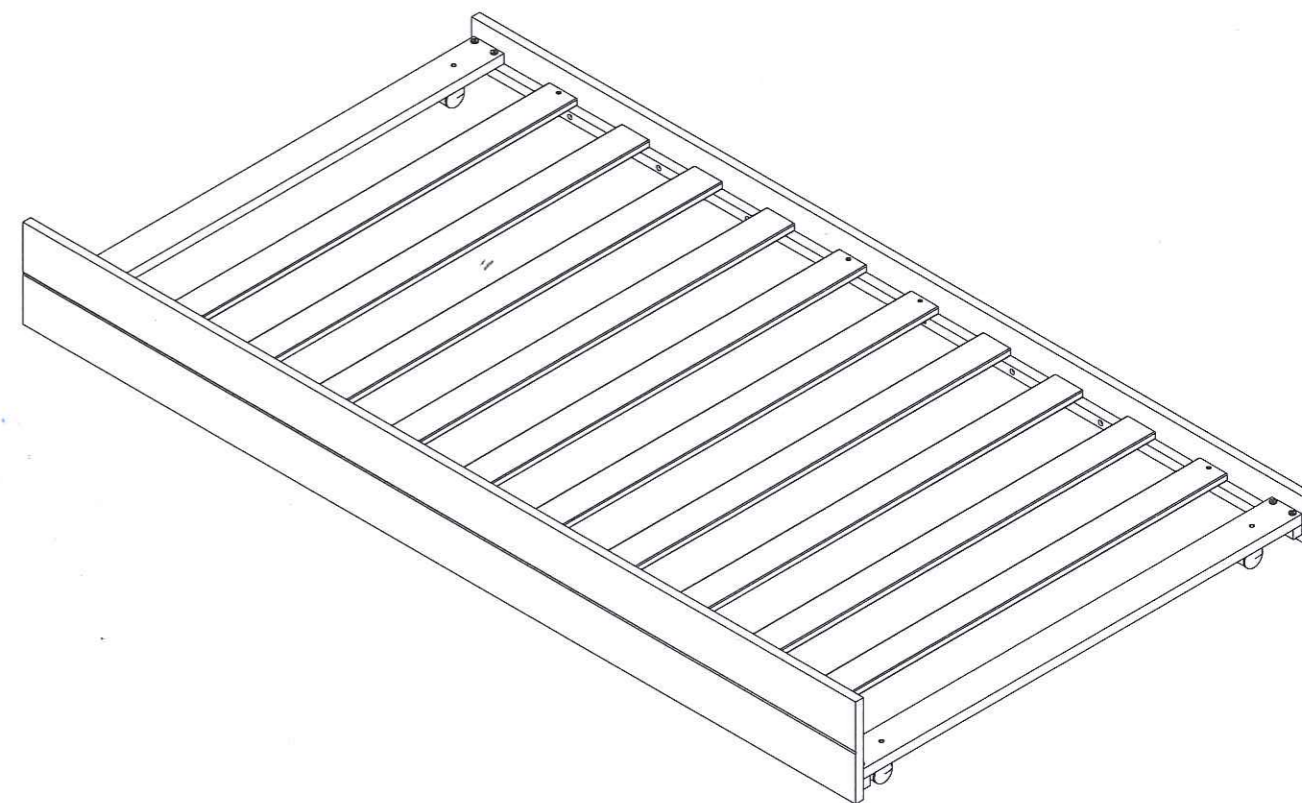





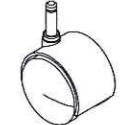
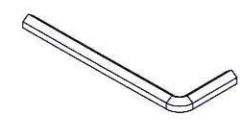
STEP 3

Attach and secure **Wooden Slat** onto previous assembly and insert **(B)** to tighten it up by using Crosshead Screw Driver. Go on to complete the assembly.

ASSEMBLY INSTRUCTION
MODEL : 30623 TRUNDLE BED (1000 x 1885)MM



HARDWARE LIST

<p>A</p>  <p>JCBC BOLT (M6 x 35MM)</p> <p>8 PCS</p>	<p>B</p>  <p>CSK C/B SCREW (M4 x 32MM)</p> <p>8 PCS</p>	<p>C</p>  <p>SOCKET</p> <p>4 PCS</p>
<p>D</p>  <p>CASTOR 40SA-C</p> <p>4 PCS</p>	<p>E</p>  <p>ALLEN KEY (M4 x 60MM)</p> <p>1 PC</p>	<p><i>Tool Required:</i> Crosshead Screw Driver</p>

PART LIST

