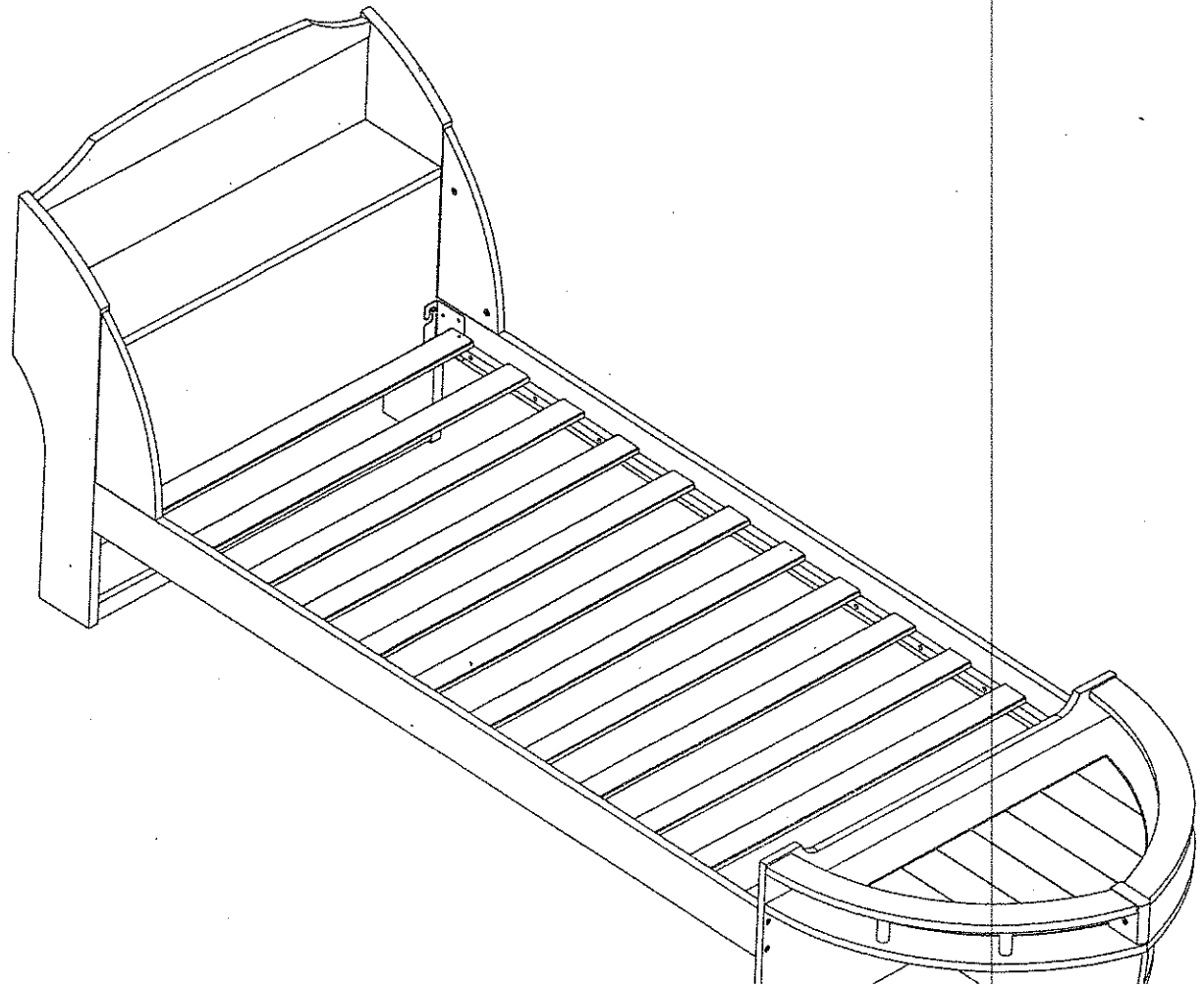
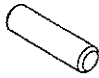
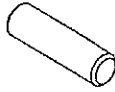
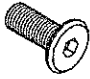
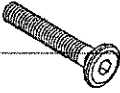
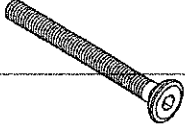

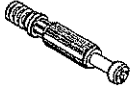



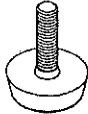
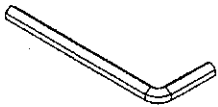
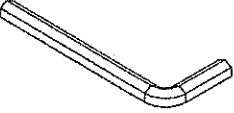


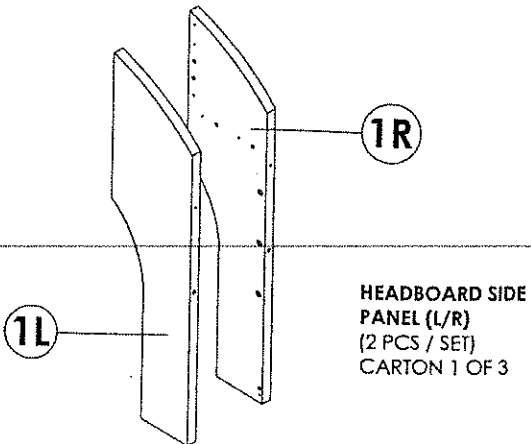
**ASSEMBLY INSTRUCTION**  
**MODEL : 30620T TWIN BED (1000 x 1905)MM**



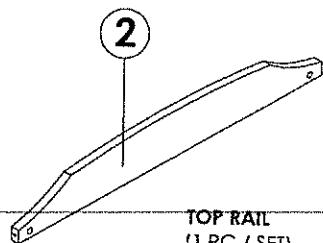
### HARDWARE LIST (3-3)

<p><b>A</b> <span style="float: right;"><b>50 PCS</b></span></p>  <p>PLASTIC DOWEL (M8 x 30MM)</p>	<p><b>B</b> <span style="float: right;"><b>2 PCS</b></span></p>  <p>PLASTIC DOWEL (M10 x 35MM)</p>	<p><b>C</b> <span style="float: right;"><b>4 PCS</b></span></p>  <p>JCBB BOLT (M8 x 20MM)</p>
<p><b>D</b> <span style="float: right;"><b>10 PCS</b></span></p>  <p>JCBC BOLT (M6 x 40MM)</p>	<p><b>E</b> <span style="float: right;"><b>4 PCS</b></span></p>  <p>JCBC BOLT (M6 x 60MM)</p>	<p><b>F</b> <span style="float: right;"><b>4 PCS</b></span></p>  <p>JRN NUT (M6 x 13MM)</p>
<p><b>G</b> <span style="float: right;"><b>40 PCS</b></span></p>  <p>CONNECTING BOLT (34MM)</p>	<p><b>H</b> <span style="float: right;"><b>40 PCS</b></span></p>  <p>MINIFIX (12MM)</p>	<p><b>J</b> <span style="float: right;"><b>6 PCS</b></span></p>  <p>CSK C/B SCREW (M4 x 32MM)</p>
<p><b>K</b> <span style="float: right;"><b>3 PCS</b></span></p>  <p>CSK RATTAN SCREW (#8 x 32MM)</p>	<p><b>L</b> <span style="float: right;"><b>3 PCS</b></span></p>  <p>BASE GLIDE L190 (M6 x 23MM)</p>	<p><b>M</b> <span style="float: right;"><b>1 PC</b></span></p>  <p>ALLEN KEY (M4 x 60MM)</p>
<p><b>N</b> <span style="float: right;"><b>1 PC</b></span></p>  <p>ALLEN KEY (M5 x 60MM)</p>	<p><b>Tools Required :</b>            Crosshead Screw Driver            Rubber Hammer</p>	

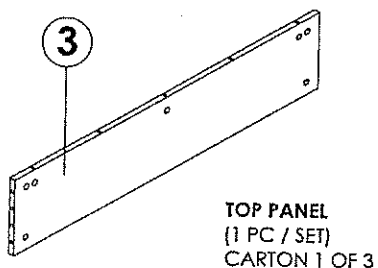
**PART LIST**



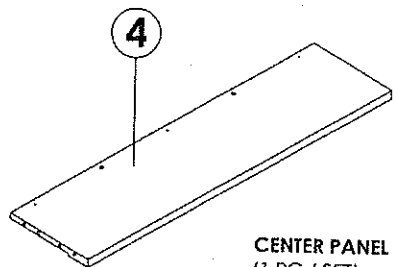
**HEADBOARD SIDE  
PANEL (L/R)**  
(2 PCS / SET)  
CARTON 1 OF 3



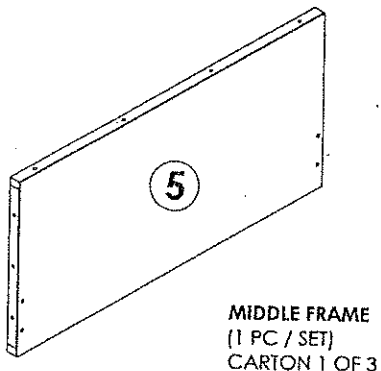
**TOP RAIL**  
(1 PC / SET)  
CARTON 1 OF 3



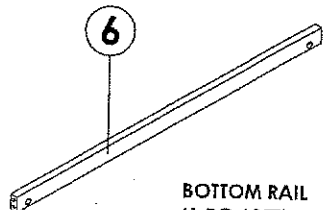
**TOP PANEL**  
(1 PC / SET)  
CARTON 1 OF 3



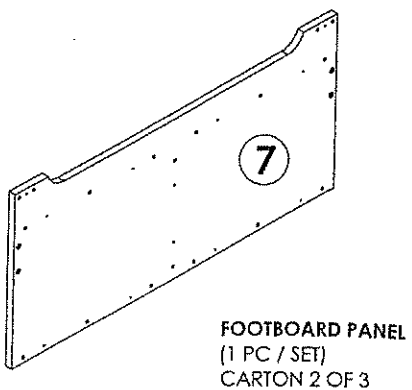
**CENTER PANEL**  
(1 PC / SET)  
CARTON 1 OF 3



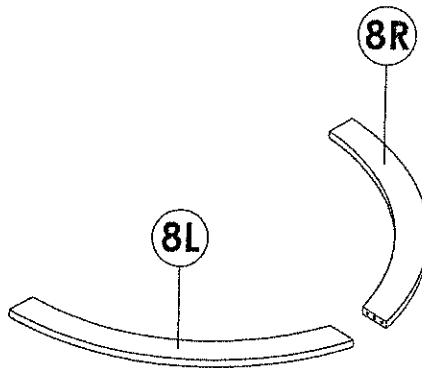
**MIDDLE FRAME**  
(1 PC / SET)  
CARTON 1 OF 3



**BOTTOM RAIL**  
(1 PC / SET)  
CARTON 1 OF 3

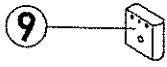


**FOOTBOARD PANEL**  
(1 PC / SET)  
CARTON 2 OF 3



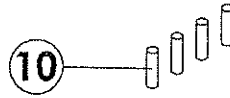
**FOOTBOARD TOP RAIL (L/R)**  
(2 PCS / SET)  
CARTON 1 OF 3

**PART LIST**



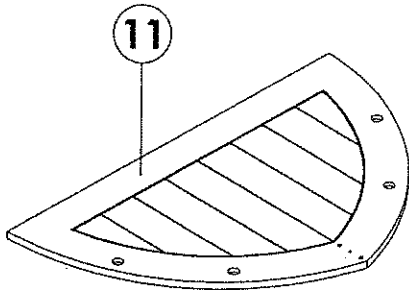
9

**CORNER BLOCK**  
(1 PC / SET)  
CARTON 2 OF 3



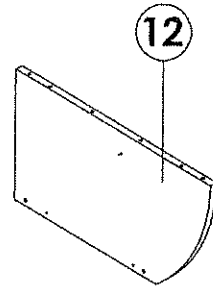
10

**ROUND STICK**  
(4 PCS / SET)  
CARTON 2 OF 3



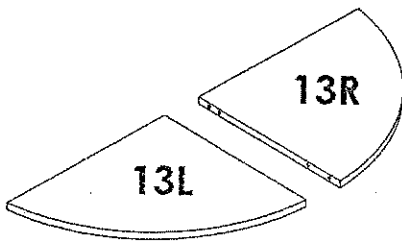
11

**FOOTBOARD TOP PANEL**  
(1 PC / SET)  
CARTON 2 OF 3

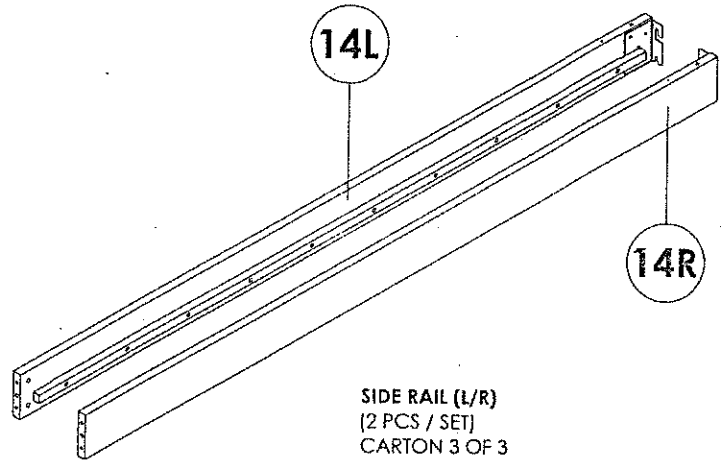


12

**FOOTBOARD CENTER PANEL**  
(1 PC / SET)  
CARTON 2 OF 3



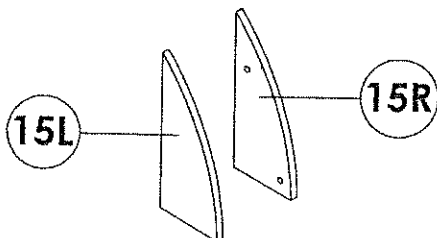
**FOOTBOARD SHELF (L/R)**  
(2 PCS / SET)  
CARTON 2 OF 3



14L

14R

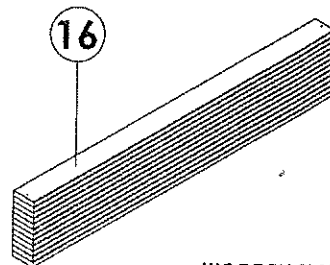
**SIDE RAIL (L/R)**  
(2 PCS / SET)  
CARTON 3 OF 3



15L

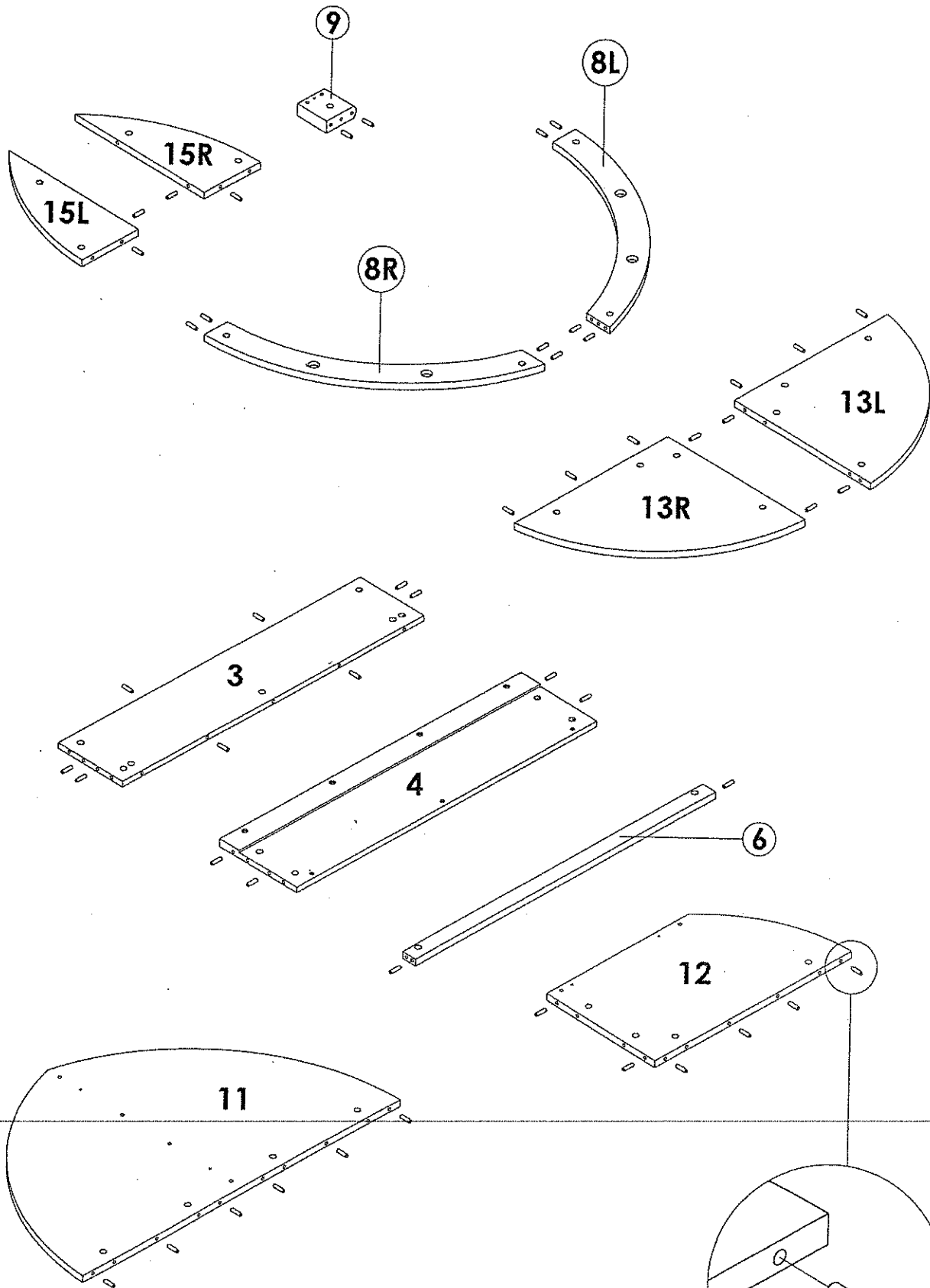
15R

**HEADBOARD SUPPORT (L/R)**  
(2 PCS / SET)



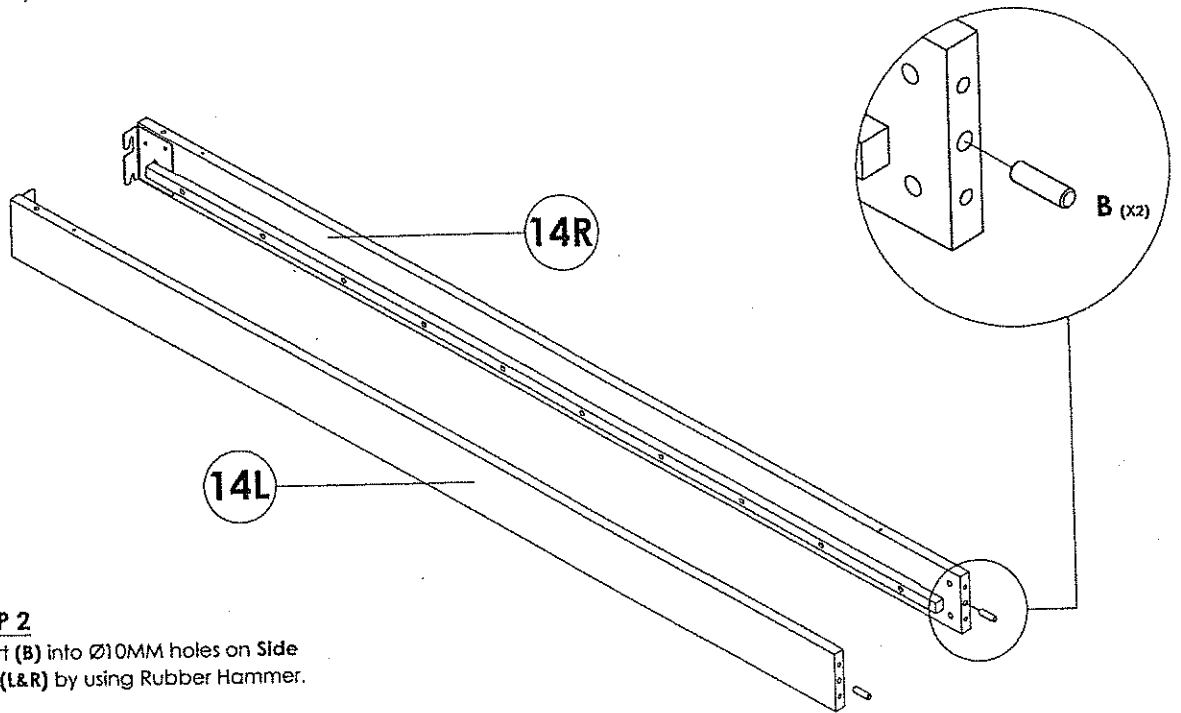
16

**WOODEN SLAT**  
(12 PCS / SET)  
CARTON 1 OF 3



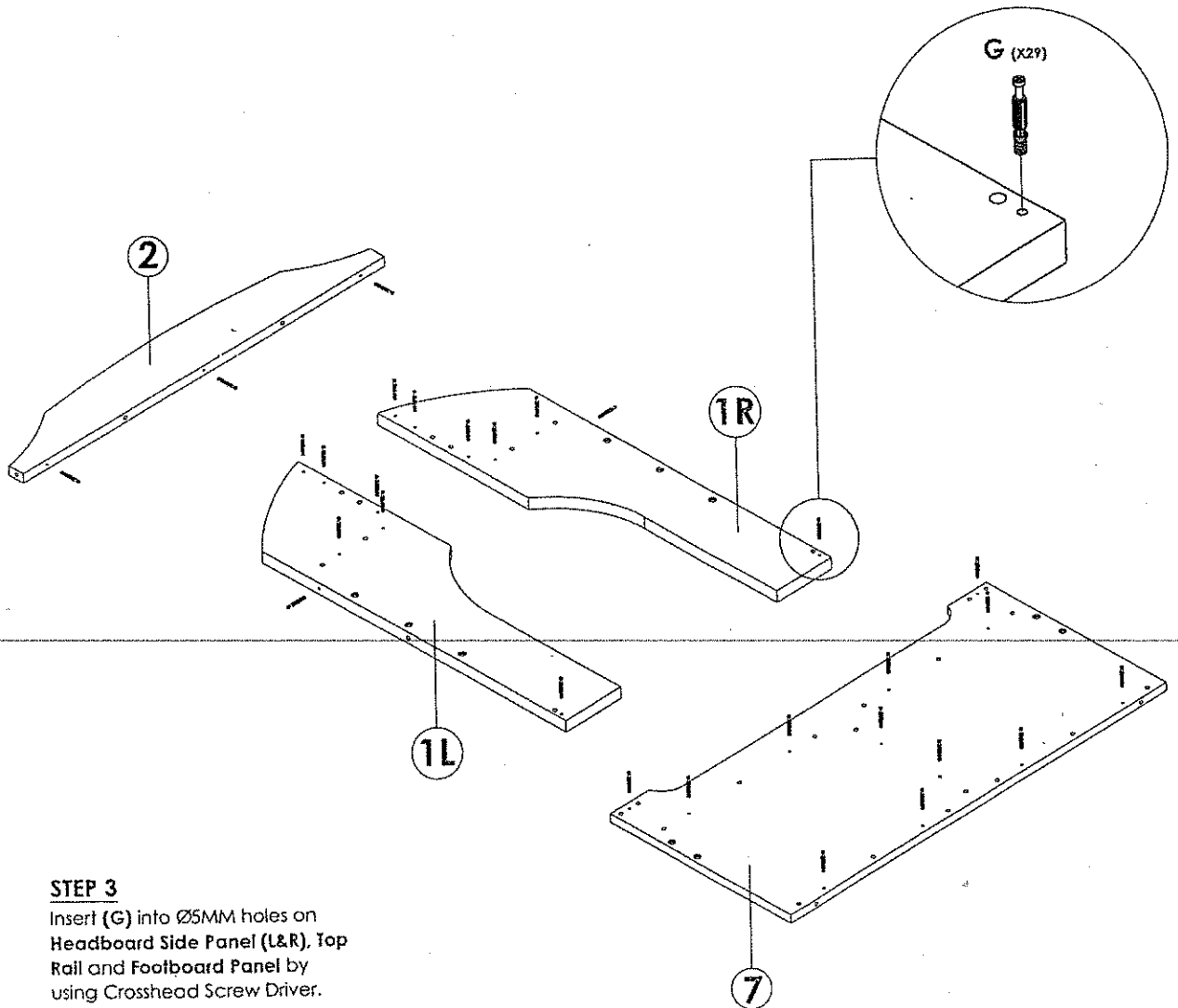
**STEP 1**

Insert (A) into Ø8MM holes on Top Panel, Center Panel, Bottom Rail, Footboard Top Rail (L&R), Corner Block, Footboard Top Panel, Footboard Center Panel, Footboard Shelf and Headboard Support (L&R) by using Rubber Hammer.



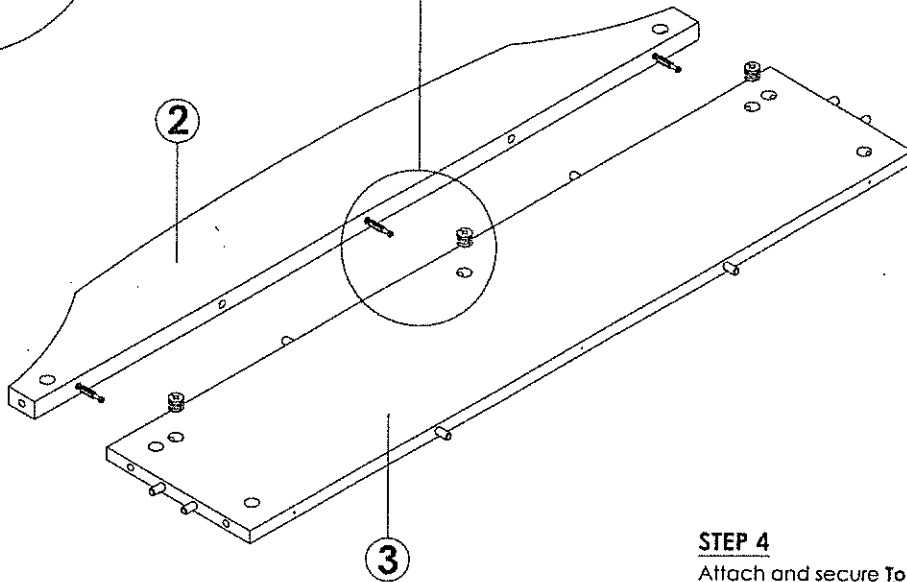
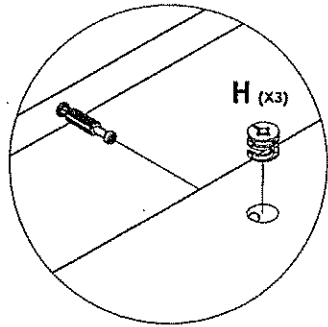
**STEP 2**

Insert (B) into Ø10MM holes on Side Rail (L&R) by using Rubber Hammer.



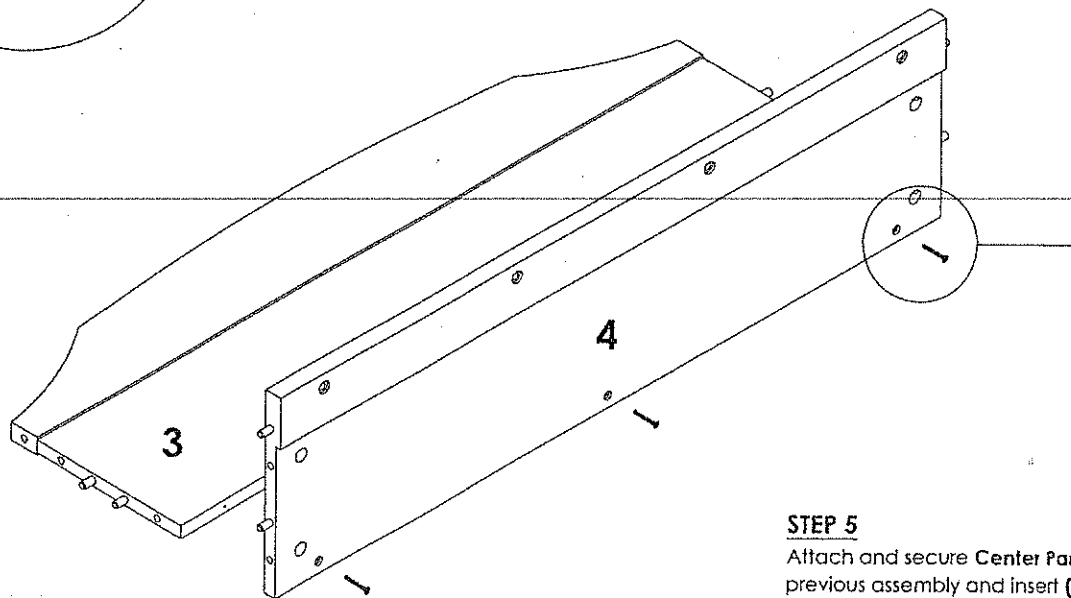
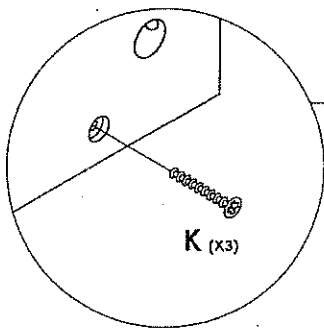
**STEP 3**

Insert (G) into Ø5MM holes on Headboard Side Panel (L&R), Top Rail and Footboard Panel by using Crosshead Screw Driver.



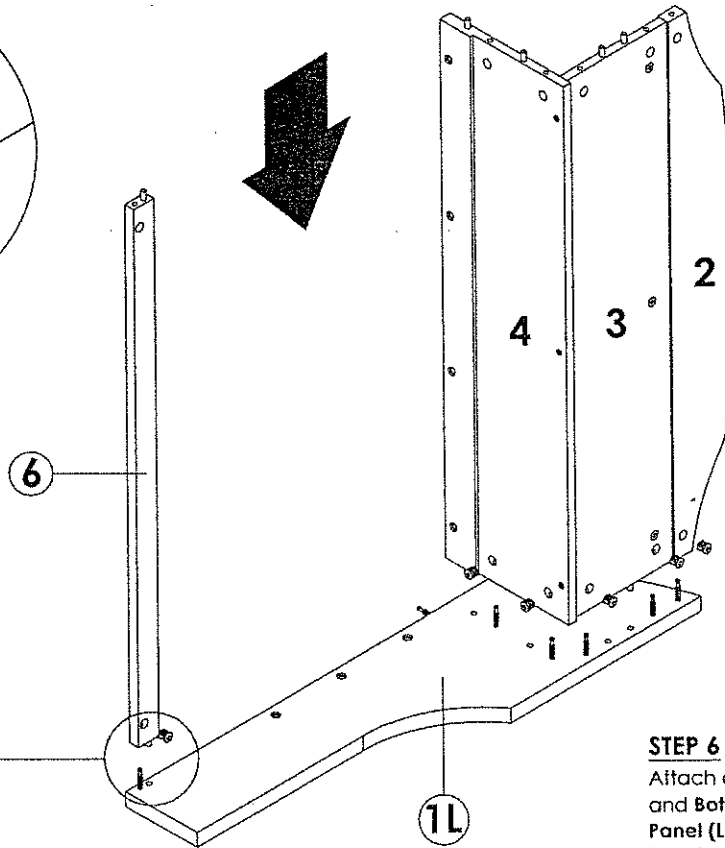
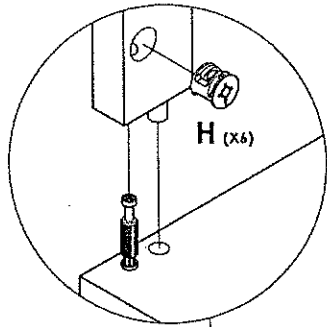
**STEP 4**

Attach and secure **Top Rail** onto **Top Panel** and insert **(H)** to tighten it up by using **Crosshead Screw Driver**.



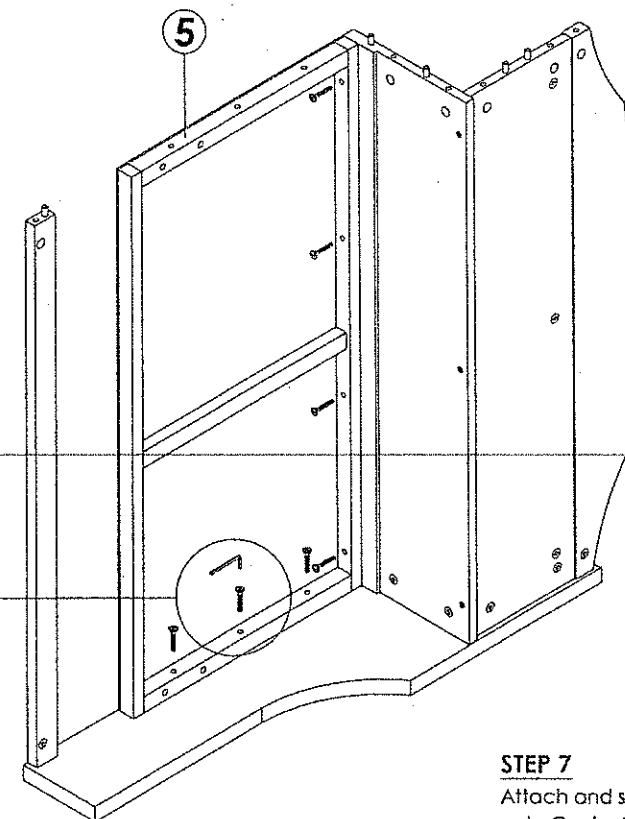
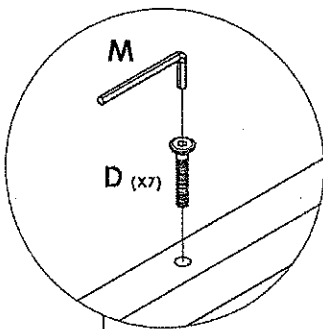
**STEP 5**

Attach and secure **Center Panel** onto previous assembly and insert **(K)** to tighten it up by using **Crosshead Screw**



**STEP 6**

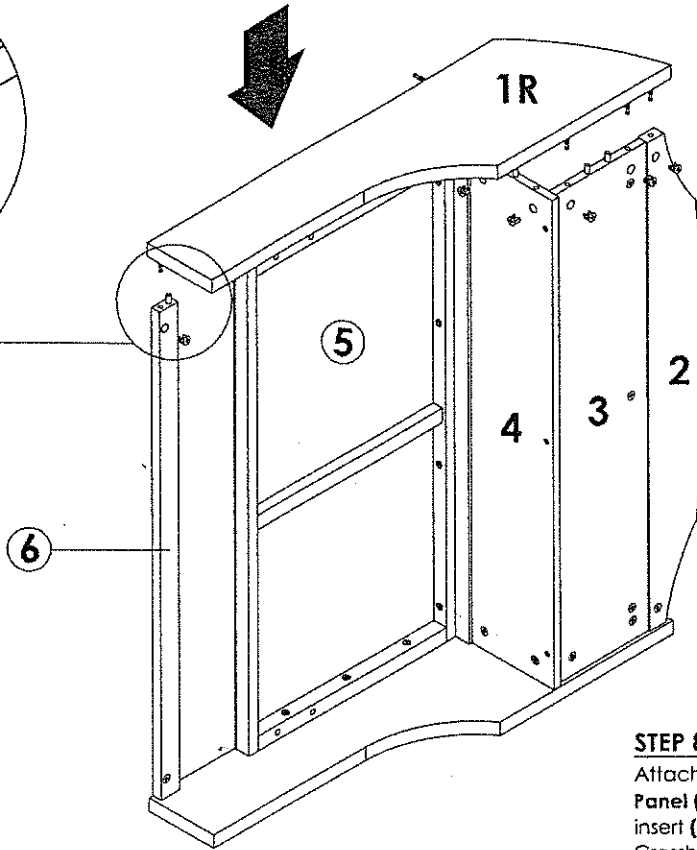
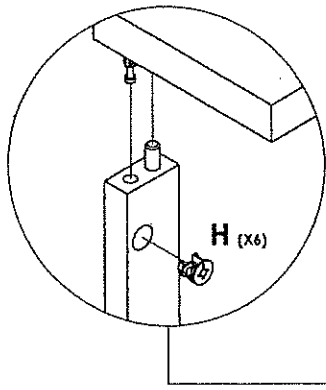
Attach and secure previous assembly and **Bottom Rail** onto **Headboard Side Panel (L)** and insert **(H)** to tighten it up by using **Crosshead Screw Driver**.



**STEP 7**

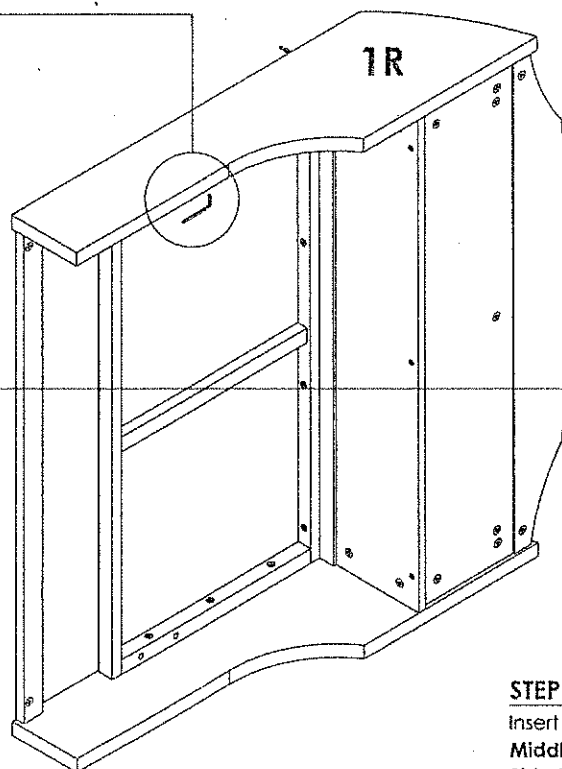
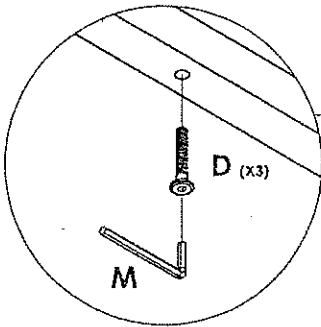
Attach and secure **Middle Frame** onto **Center Panel** and **Headboard Side (L)** and insert **(D)** to tighten it up by using **(M)**





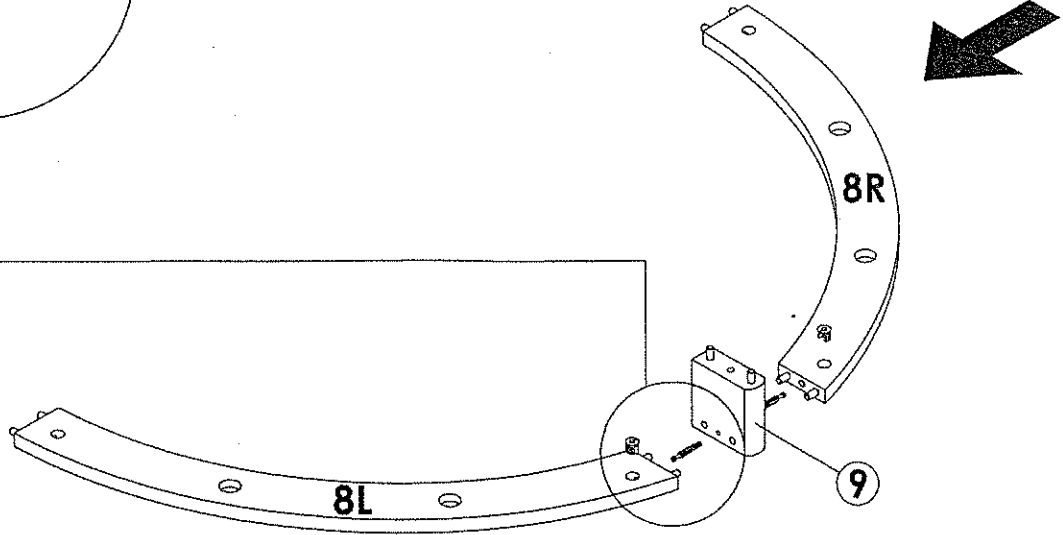
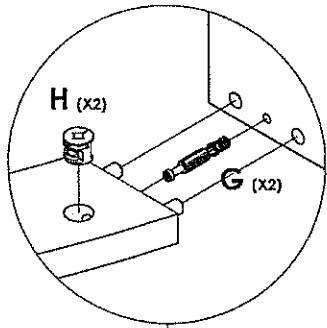
**STEP 8**

Attach and secure **Headboard Side Panel (R)** onto previous assembly and insert **(H)** to tighten it up by using **Crosshead Screw Driver**.



**STEP 9**

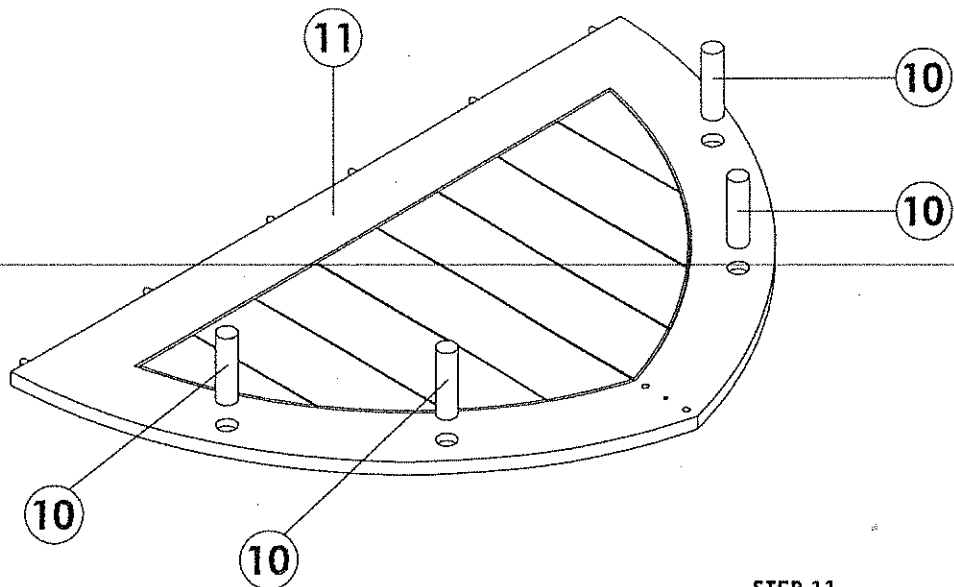
Insert **(D)** into the holes provided at **Middle Frame** attach to **Headboard Side Panel (R)** and tighten it up by using **(M)**.



**STEP 10**

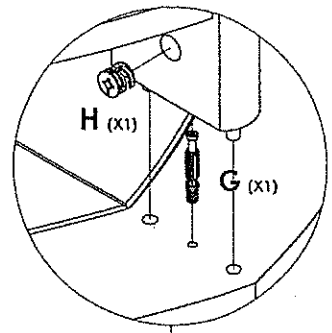
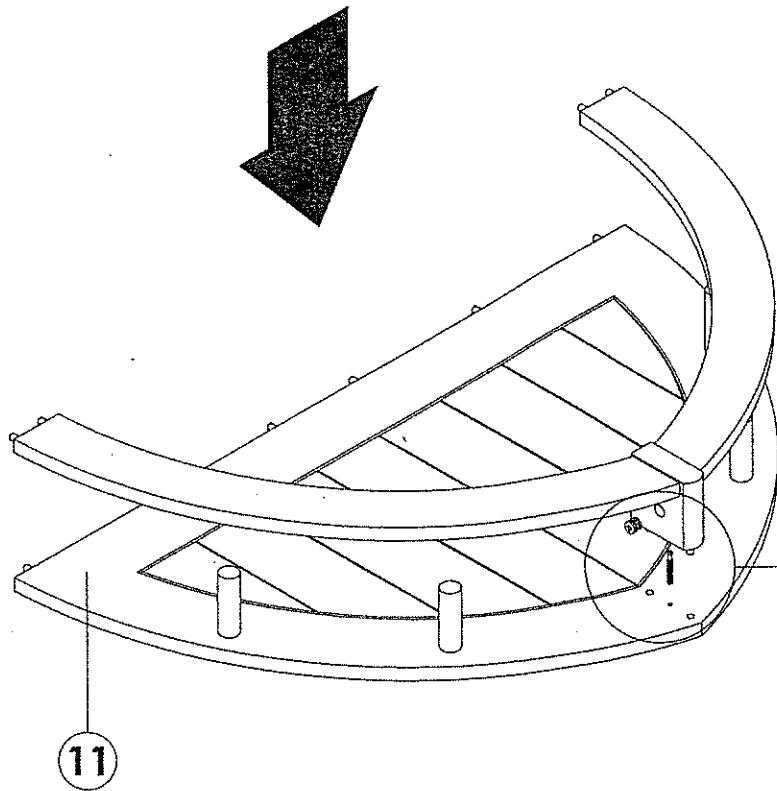
Insert (G) into Ø5MM holes on Corner Block.

Attach and secure Footboard Top Rail (L & R) onto Corner Block and insert (H) to tighten it up by using Crosshead Screw Driver.



**STEP 11**

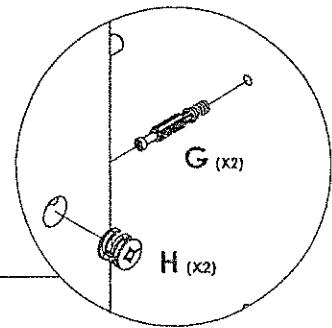
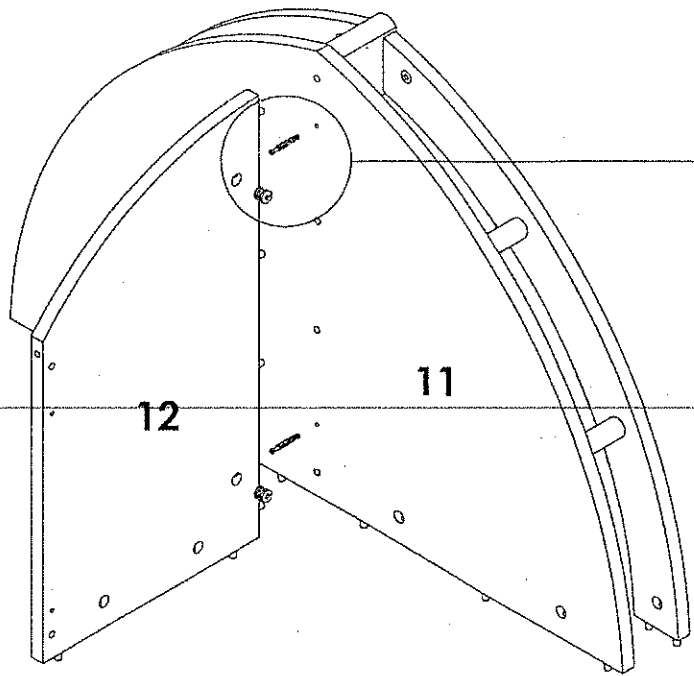
Attach Round Stick into holes on surface of Footboard Top Panel.



**STEP 12**

Insert (G) into Ø5MM hole on Footboard Top Panel.

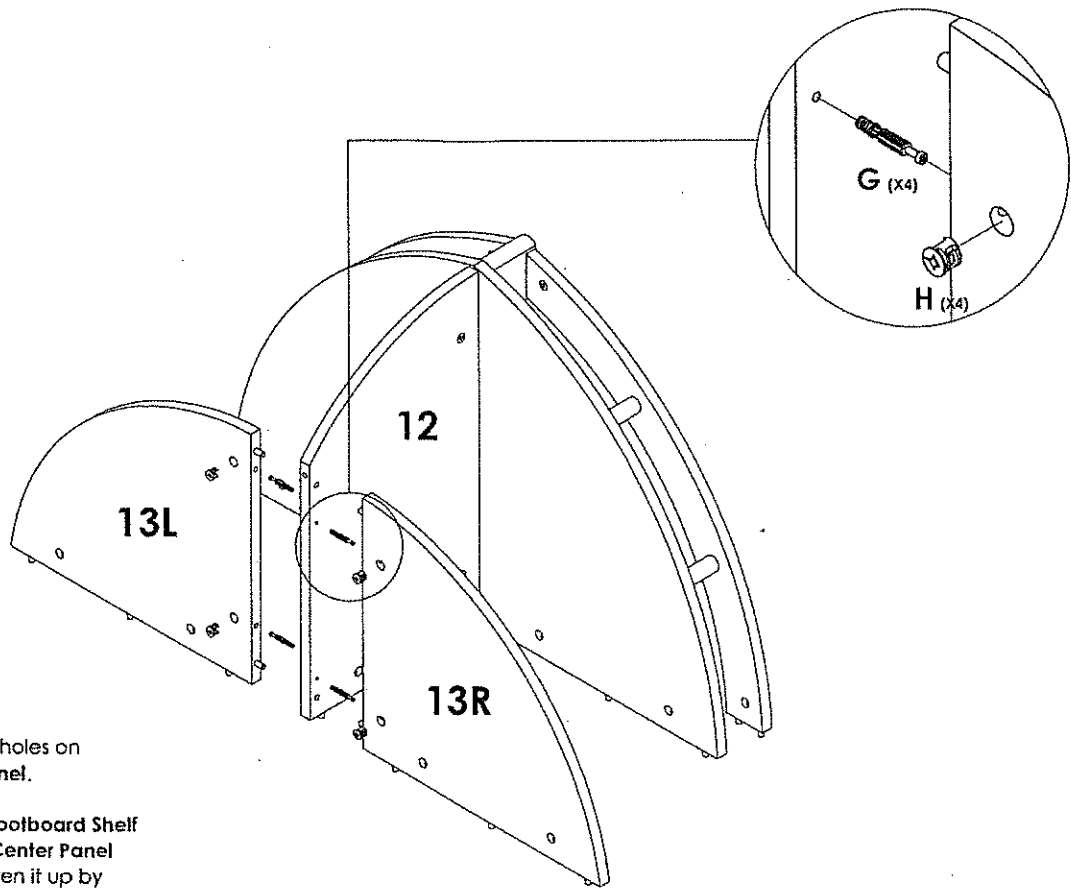
Attach and secure previous assembly at Step 10 onto Footboard Top Panel and insert (H) to tighten it up by using Crosshead Screw Driver.



**STEP 13**

Insert (G) into Ø5MM holes on Footboard Top Panel.

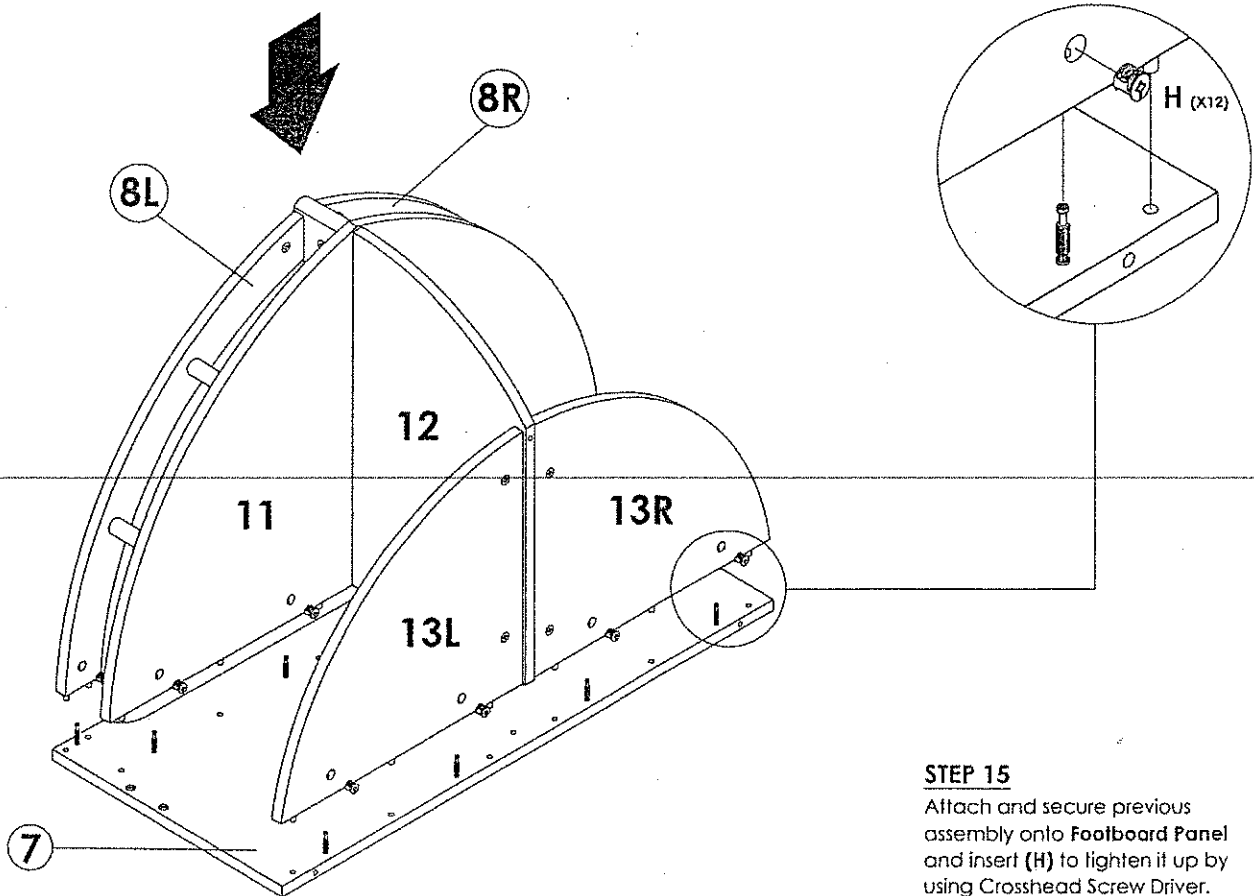
Attach and secure Footboard Center Panel on Footboard Top Panel and insert (H) to tighten it up by using Crosshead Screw Driver.



**STEP 14**

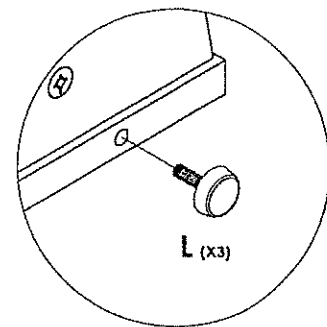
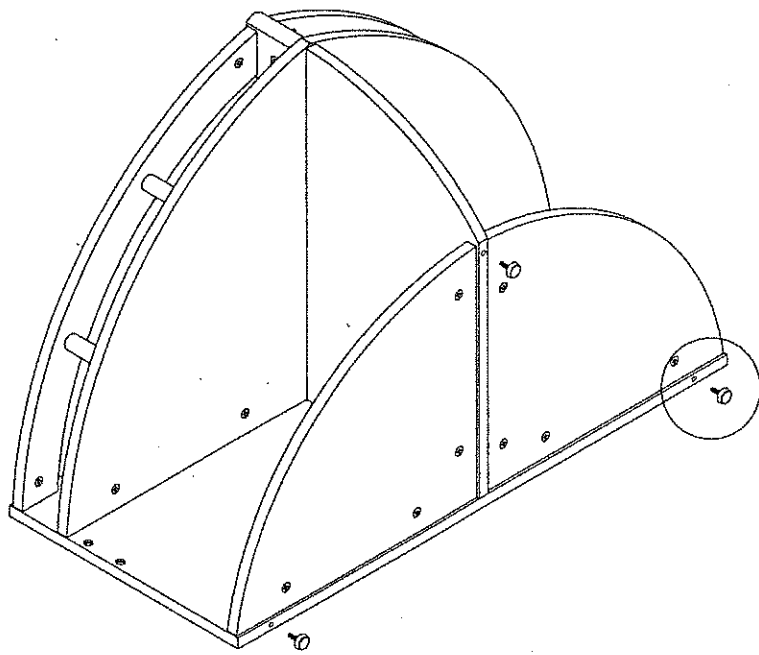
Insert (G) into Ø5MM holes on Footboard Center Panel.

Attach and secure Footboard Shelf (L&R) on Footboard Center Panel and insert (H) to tighten it up by using Crosshead Screw Driver.

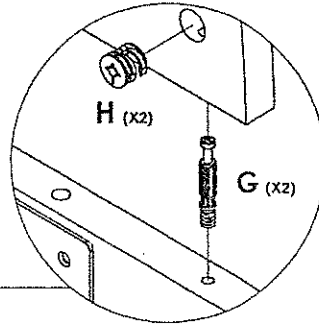
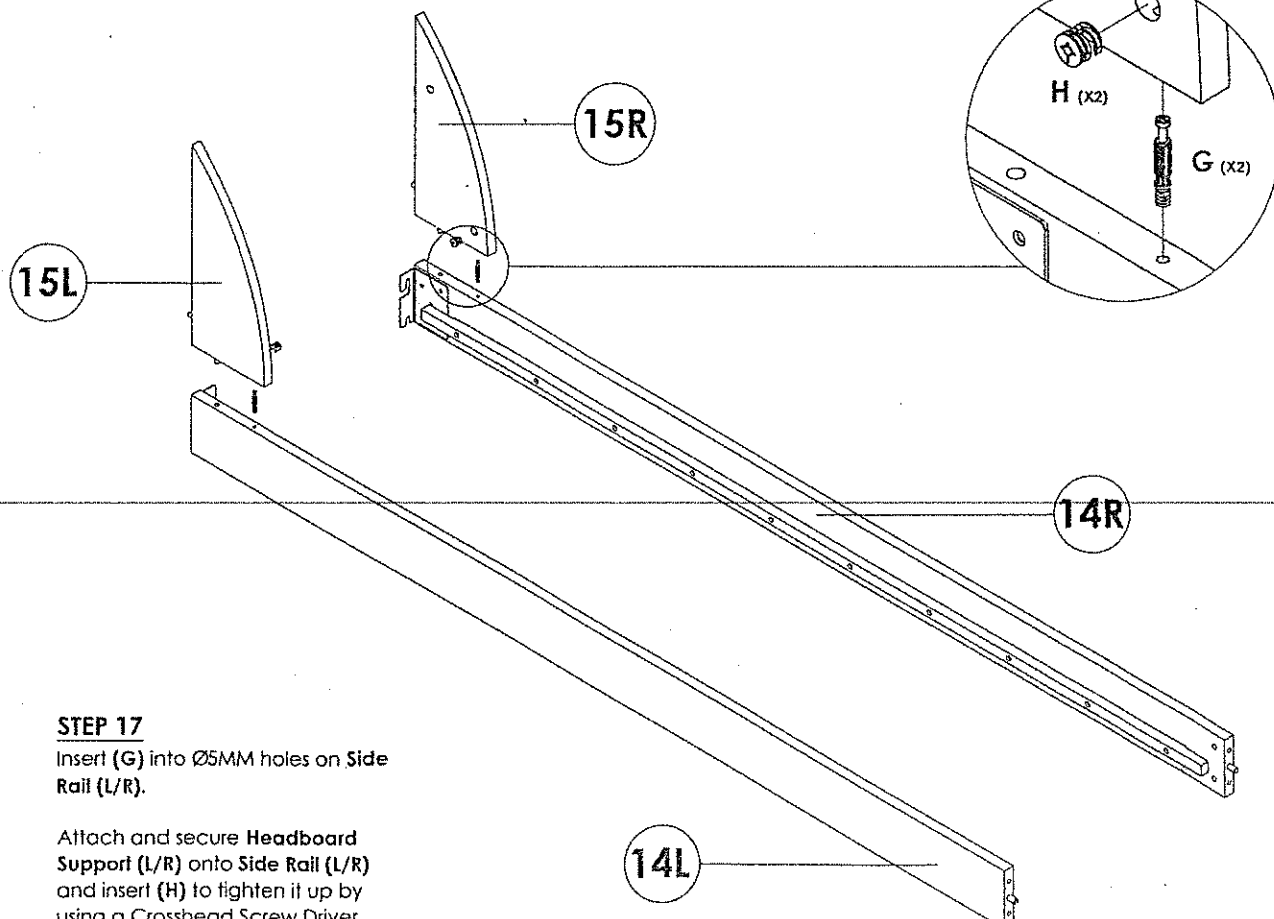


**STEP 15**

Attach and secure previous assembly onto Footboard Panel and insert (H) to tighten it up by using Crosshead Screw Driver.



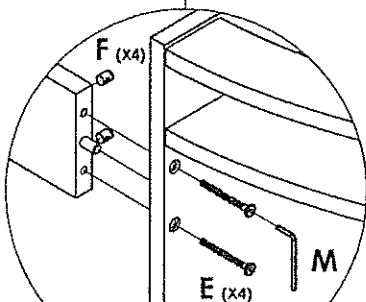
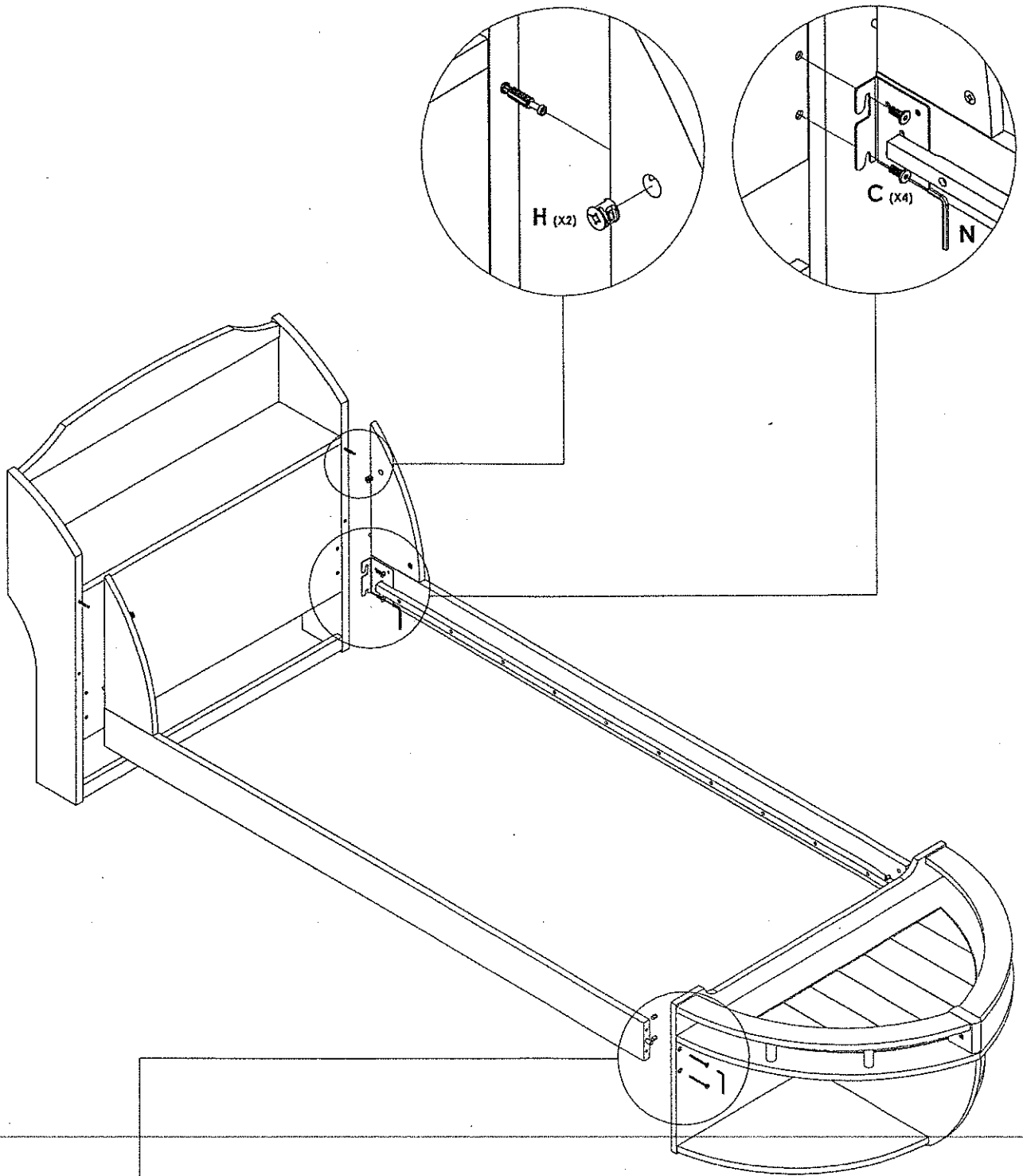
**STEP 16**  
 Attach (L) into specified holes at the bottom of Footboard Panel and Footboard Center Panel.



**STEP 17**  
 Insert (G) into Ø5MM holes on Side Rail (L/R).

Attach and secure Headboard Support (L/R) onto Side Rail (L/R) and insert (H) to tighten it up by using a Crosshead Screw Driver.

14L

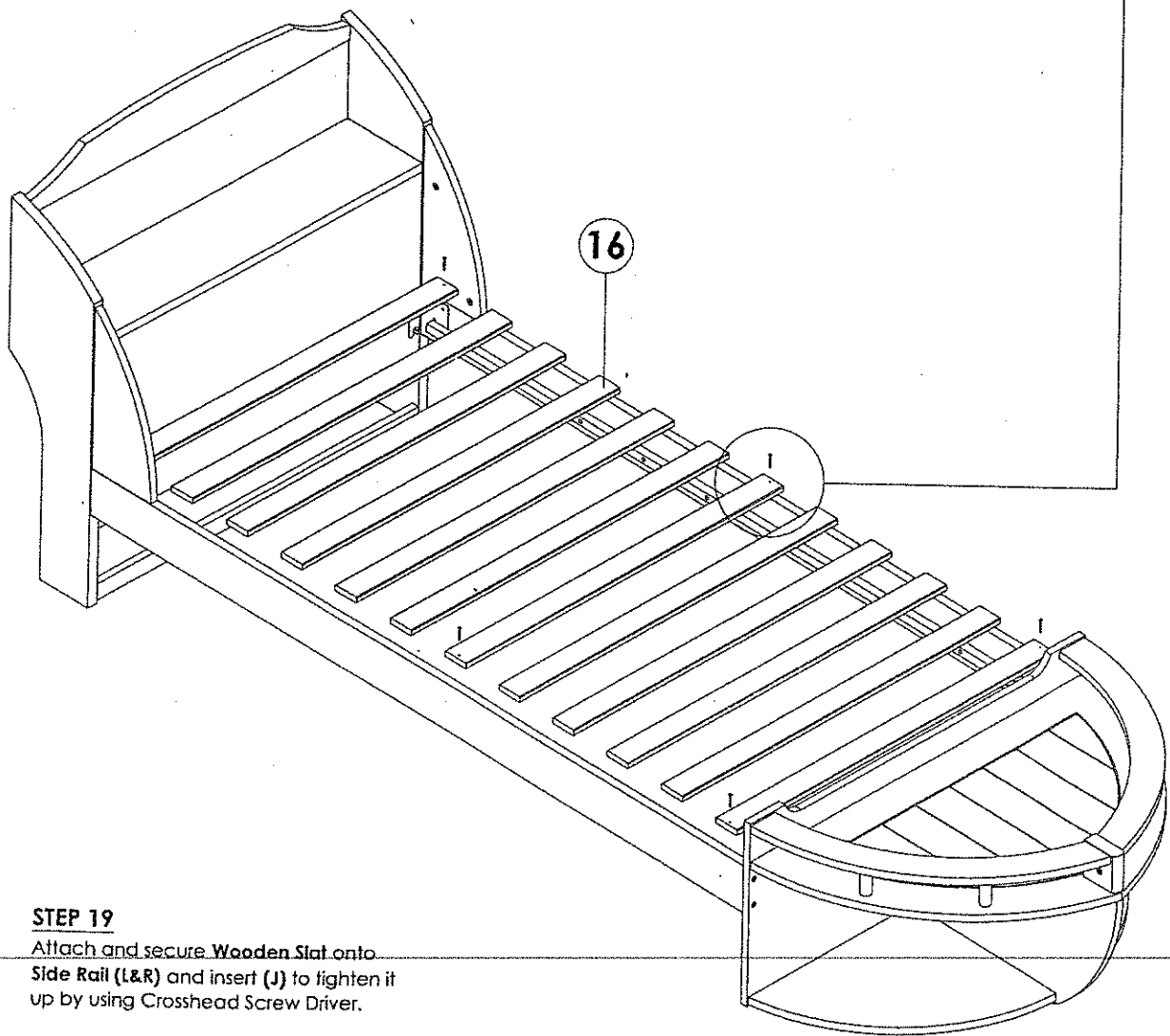


### STEP 18

Attach and secure Side Rail assembly (L/R) onto Headboard assembly and Footboard assembly.

Insert (C) through bed brackets on Side Rail (L/R) to tighten it up by using (N).

Insert (H) to specified holes at Headboard Support (L/R) and tighten it up by using Crosshead Screw Driver.



**STEP 19**

Attach and secure **Wooden Slat** onto  
Side Rail (L&R) and insert **(J)** to tighten it  
up by using Crosshead Screw Driver.