

ASSEMBLY INSTRUCTIONS FOR ACME FURNITURE






MODEL#30590/ 91/ 92 DAY BED-R-T

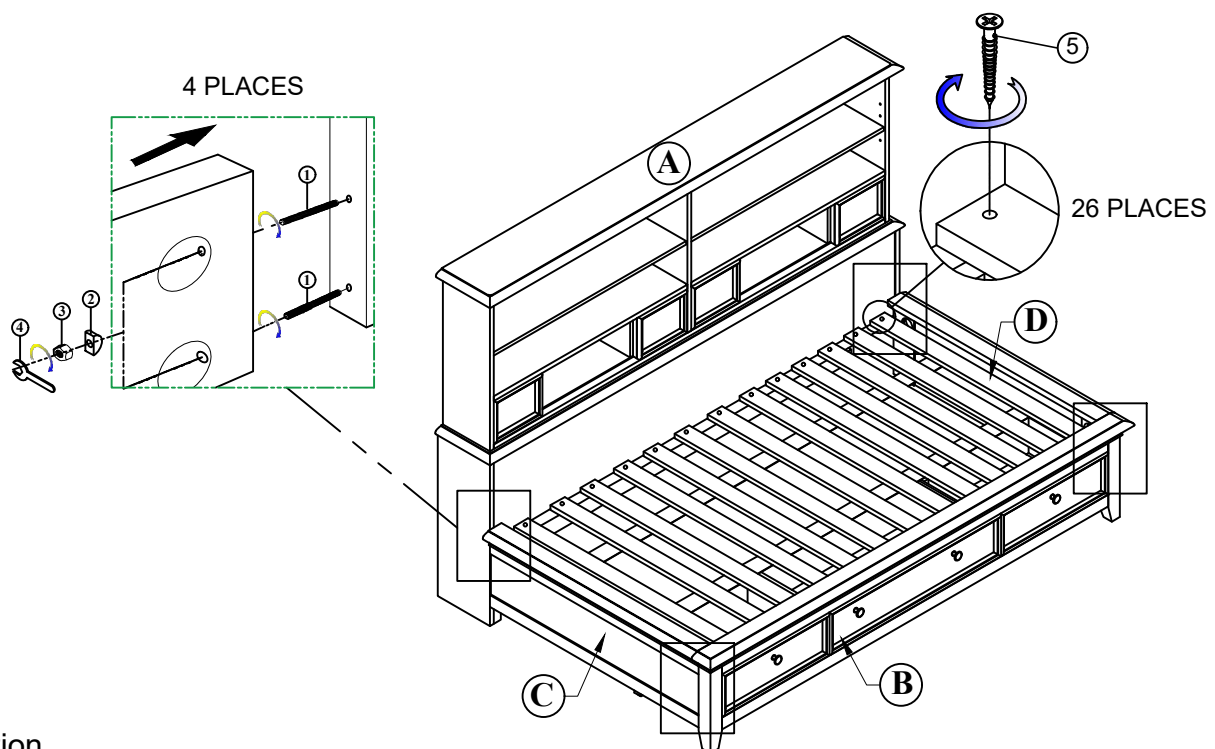
Thank you for purchasing this quality product. Be sure to check all packing material carefully for small parts which may have come loose inside the carton during shipment. Separate, identify and count all parts and metal hardware. Compare with parts list to be sure all parts are present. If any part(s) are missing or damaged, please contact your local furniture dealer. For efficient and speedy service, please indicate the model number and code letter of part(s) needed.

*** Do not fully tighten screws until fully assembled ***

| COMPONENT PARTS | | |
|-----------------|------------|------------|
| DESCRIPTION | PART NAME | Q'TY (PCS) |
| (A) | HEADBOARD | 1 |
| (B) | FOOTBOARD | 1 |
| (C) | SIDE RAILS | 2 |
| (D) | SLATS | 1 |

HARDWARE REQUIRED

| | | | | | |
|---|-------------------------------------------------------------------------------------|-----------------------|-------------------|----|-----|
| ① |  | BOLT | Ø5/16*90 | 8 | PCS |
| ② |  | FLAT WASHER | Ø5/16*29*8 | 8 | PCS |
| ③ |  | NUT | Ø5/16*12*6 | 8 | PCS |
| ④ |  | SPANNER WRENCH | M12 | 1 | PCS |
| ⑤ |  | SCREW | M4*35 | 26 | PCS |



Attention






***Some number parts listed on the instruction sheet may not be in parts bag as they may already be assembled. Carefully check parts and packing materials prior to ordering replacements.

ASSEMBLY INSTRUCTIONS FOR ACME FURNITURE





MODEL#30591 DAYBED FB-T

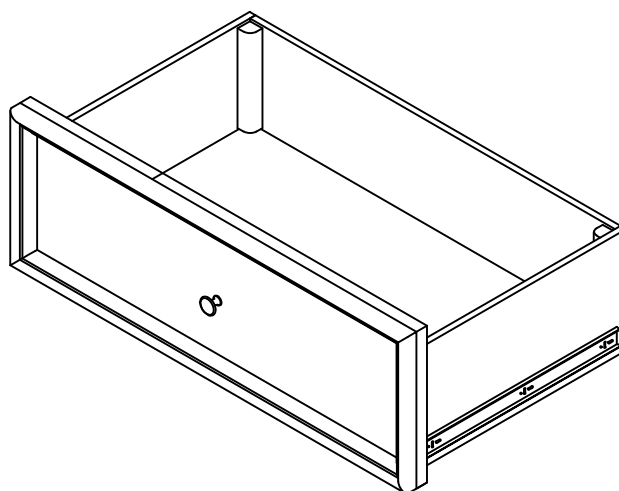
Thank you for purchasing this quality product. Be sure to check all packing material carefully for small parts which may have come loose inside the carton during shipment. Separate, identify and count all parts and metal hardware. Compare with parts list to be sure all parts are present. If any part(s) are missing or damaged, please contact your local furniture dealer. For efficient and speedy service, please indicate the model number and code letter of part(s) needed.

*** Do not fully tighten screws until fully assembled ***

| COMPONENT PARTS | | |
|-----------------|--------------------------------------------------------------------------------------------------------------|------------|
| DESCRIPTION | PART NAME | Q'TY (PCS) |
| (A) | DRAWER FRONT  | 3 |
| (B) | BACK PANEL OF DRAWER  | 3 |
| (C) | SIDE PANEL OF DRAWER (R)  | 3 |
| (D) | BOTTOM PANEL OF DRAWER  | 3 |
| (E) | SIDE PANEL OF DRAWER (L)  | 3 |

HARDWARE REQUIRED

| | | | | | |
|---|-------------------------------------------------------------------------------------|----------------|----------|----|-----|
| ① |  | PHILLIPS SCREW | Ø5/32*22 | 24 | PCS |
| ② |  | HANDLE | | 4 | PCS |
| ③ |  | PHILLIPS SCREW | Ø5/32*30 | 4 | PCS |
| ④ |  | SCREW | M3.5*10 | 18 | PCS |

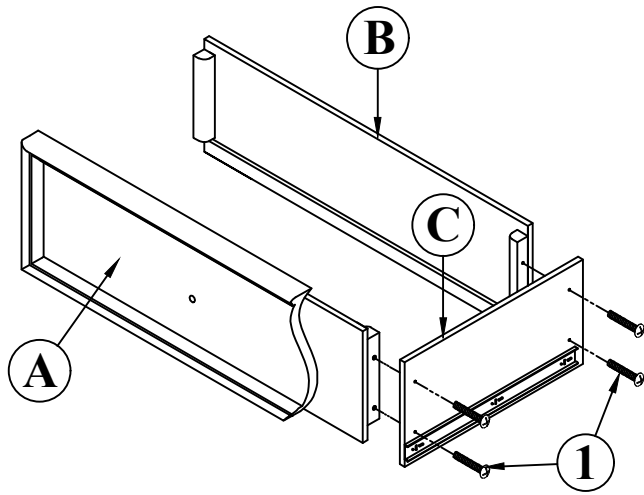


Attention

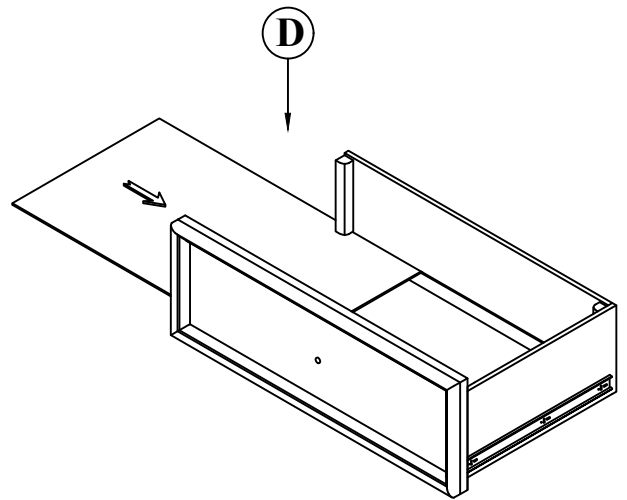
***Some number parts listed on the instruction sheet may not be in parts bag as they may already be assembled. Carefully check parts and packing materials prior to ordering replacements.

How to assemble:

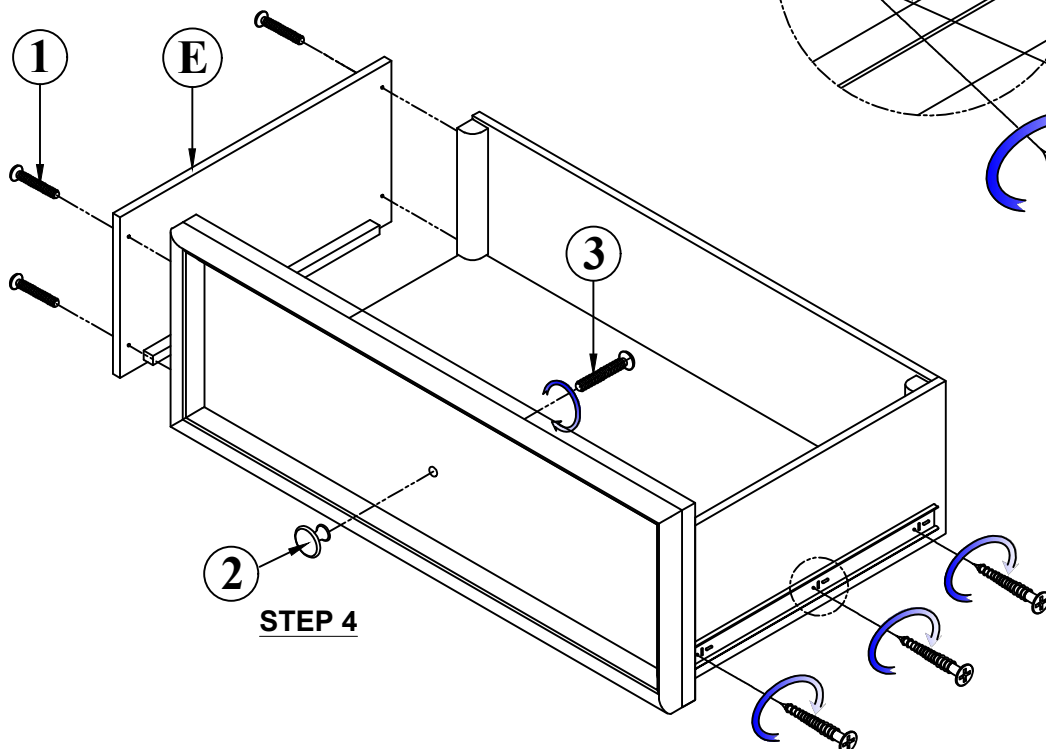
STEP 1



STEP 2

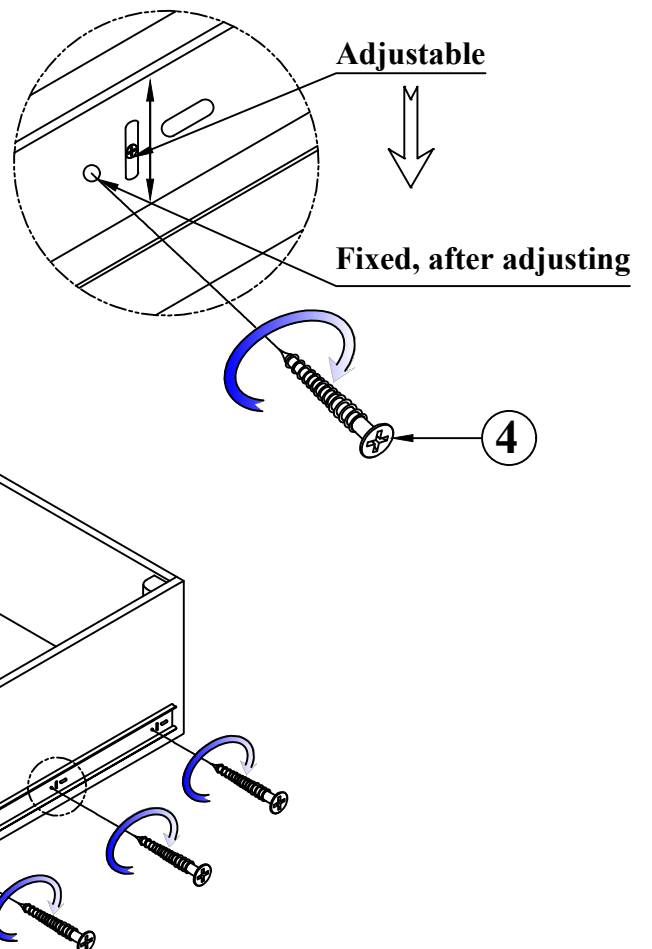


STEP 3



STEP 4

STEP 5



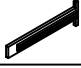
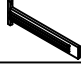




ASSEMBLY INSTRUCTIONS FOR ACME FURNITURE





MODEL#30591 DAYBED FB-T

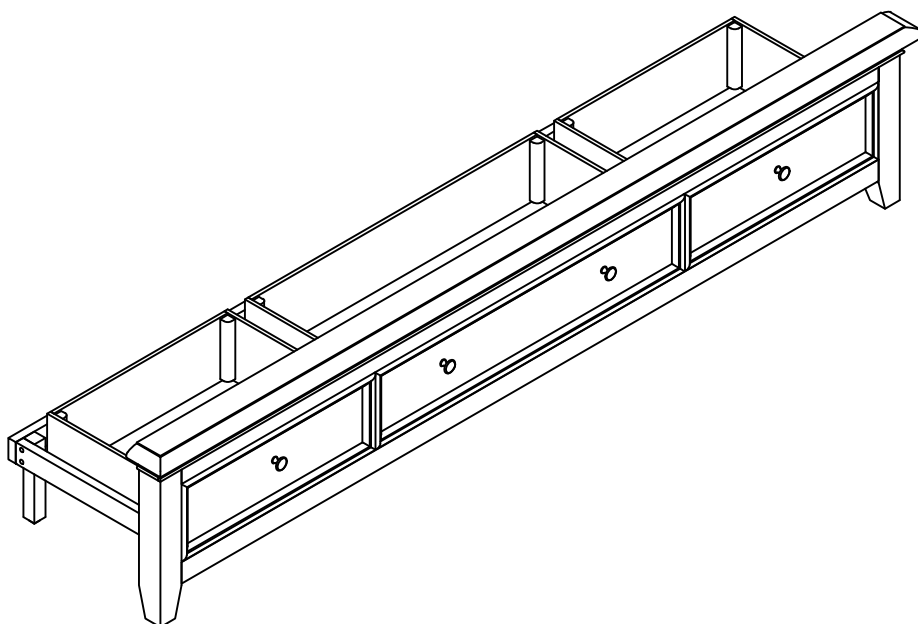
Thank you for purchasing this quality product. Be sure to check all packing material carefully for small parts which may have come loose inside the carton during shipment. Separate, identify and count all parts and metal hardware. Compare with parts list to be sure all parts are present. If any part(s) are missing or damaged, please contact your local furniture dealer. For efficient and speedy service, please indicate the model number and code letter of part(s) needed.

*** Do not fully tighten screws until fully assembled ***

| COMPONENT PARTS | | |
|-----------------|-------------------------------------------------------------------------------------------------------------------|------------|
| DESCRIPTION | PART NAME | Q'TY (PCS) |
| (F) | FOOTBOARD  | 1 |
| (G) | CROSSBAR  | 1 |
| (H) | SIDE OF THE CROSSBAR (Right)  | 1 |
| (I) | SIDE OF THE CROSSBAR (Left)  | 1 |
| (J) | SIDE OF THE CROSSBAR (Middle)  | 2 |
| (K) | SUPPORT LEGS  | 4 |

HARDWARE REQUIRED

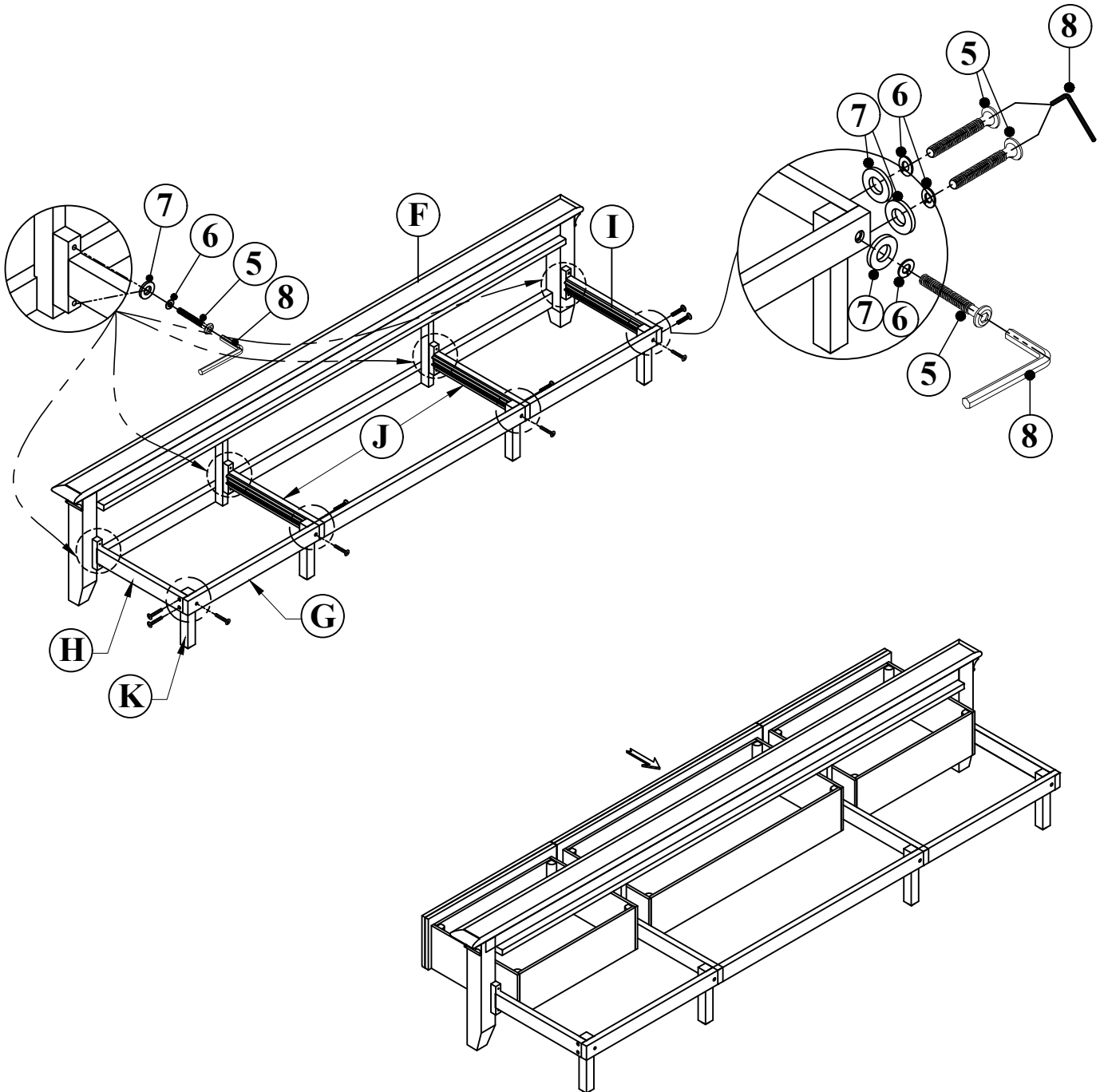
| | | | | | |
|-----|-------------------------------------------------------------------------------------|---------------|---------------|----|-----|
| (5) |  | BOLT | Ø1/4*40mm | 20 | PCS |
| (6) |  | SPRING WASHER | Ø1/4"*11*1mm | 20 | PCS |
| (7) |  | FLAT WASHER | Ø5/16"*16*1mm | 20 | PCS |
| (8) |  | ALLEN WRENCH | M4 | 1 | PCS |



Attention

***Some number parts listed on the instruction sheet may not be in parts bag as they may already be assembled. Carefully check parts and packing materials prior to ordering replacements.

How to assemble:



ASSEMBLY INSTRUCTIONS FOR ACME FURNITURE








MODEL#30590 DAYBED HB-T

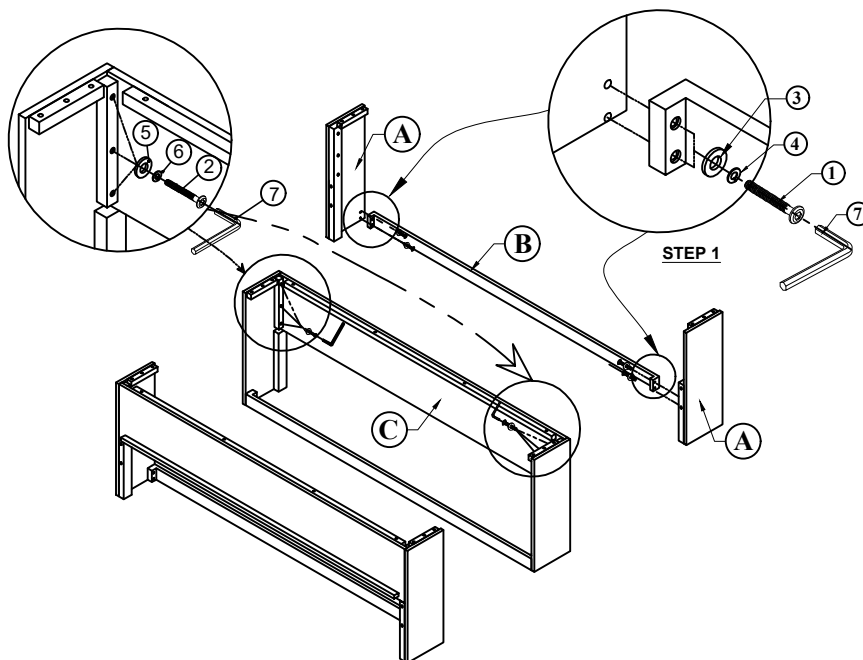
Thank you for purchasing this quality product. Be sure to check all packing material carefully for small parts which may have come loose inside the carton during shipment. Separate, identify and count all parts and metal hardware. Compare with parts list to be sure all parts are present. If any part(s) are missing or damaged, please contact your local furniture dealer. For efficient and speedy service, please indicate the model number and code letter of part(s) needed.

*** Do not fully tighten screws until fully assembled ***

| COMPONENT PARTS | | |
|-----------------|--------------------------|------------|
| DESCRIPTION | PART NAME | Q'TY (PCS) |
| (A) | SIDE FRAME (R/ L) | 2 |
| (B) | STRETCHER | 1 |
| (C) | FRONT PANEL | 1 |

HARDWARE REQUIRED

| | | | | | |
|---|-------------------------------------------------------------------------------------|---------------|---------------|----|-----|
| ① |  | BOLT | Ø1/4"×30mm | 4 | PCS |
| ② |  | BOLT | Ø5/16"×35mm | 16 | PCS |
| ③ |  | FLAT WASHER | Ø1/4"×19*2mm | 4 | PCS |
| ④ |  | SPRING WASHER | Ø1/4"×11*1mm | 4 | PCS |
| ⑤ |  | FLAT WASHER | Ø5/16"×19*2mm | 16 | PCS |
| ⑥ |  | SPRING WASHER | Ø5/16"×13*1mm | 16 | PCS |
| ⑦ |  | ALLEN WRENCH | M4 | 1 | PCS |



Attention

***Some number parts listed on the instruction sheet may not be in parts bag as they may already be assembled. Carefully check parts and packing materials prior to ordering replacements.

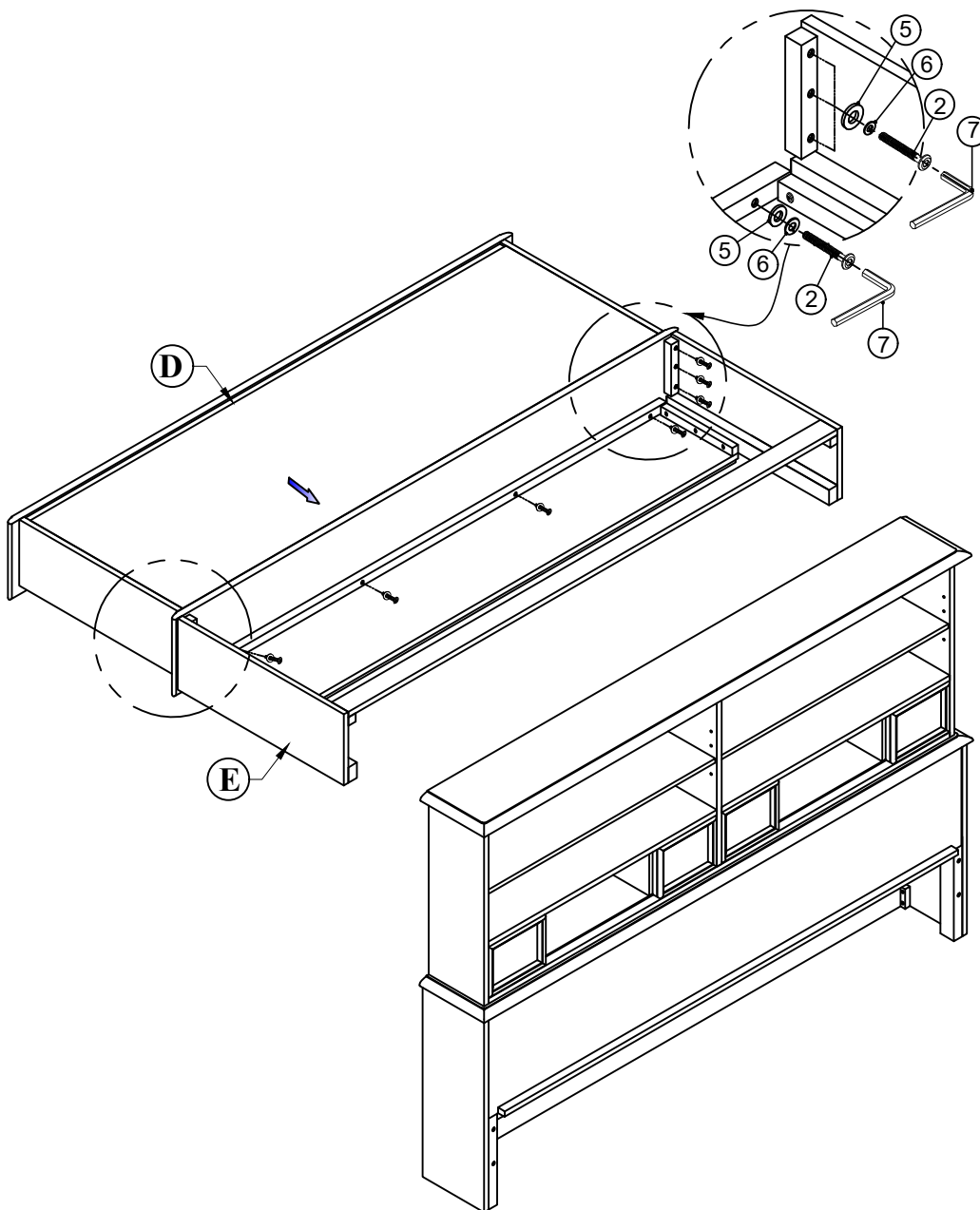
ASSEMBLY INSTRUCTIONS FOR ACME FURNITURE

MODEL#30590 DAYBED HB-T

Thank you for purchasing this quality product. Be sure to check all packing material carefully for small parts which may have come loose inside the carton during shipment. Separate, identify and count all parts and metal hardware. Compare with parts list to be sure all parts are present. If any part(s) are missing or damaged, please contact your local furniture dealer. For efficient and speedy service, please indicate the model number and code letter of part(s) needed.

*** Do not fully tighten screws until fully assembled ***

| COMPONENT PARTS | | |
|-----------------|-------------|------------|
| DESCRIPTION | PART NAME | Q'TY (PCS) |
| (D) | UPPER FRAME | 1 |
| (E) | LOWER FRAME | 1 |



Attention

***Some number parts listed on the instruction sheet may not be in parts bag as they may already be assembled. Carefully check parts and packing materials prior to ordering replacements.