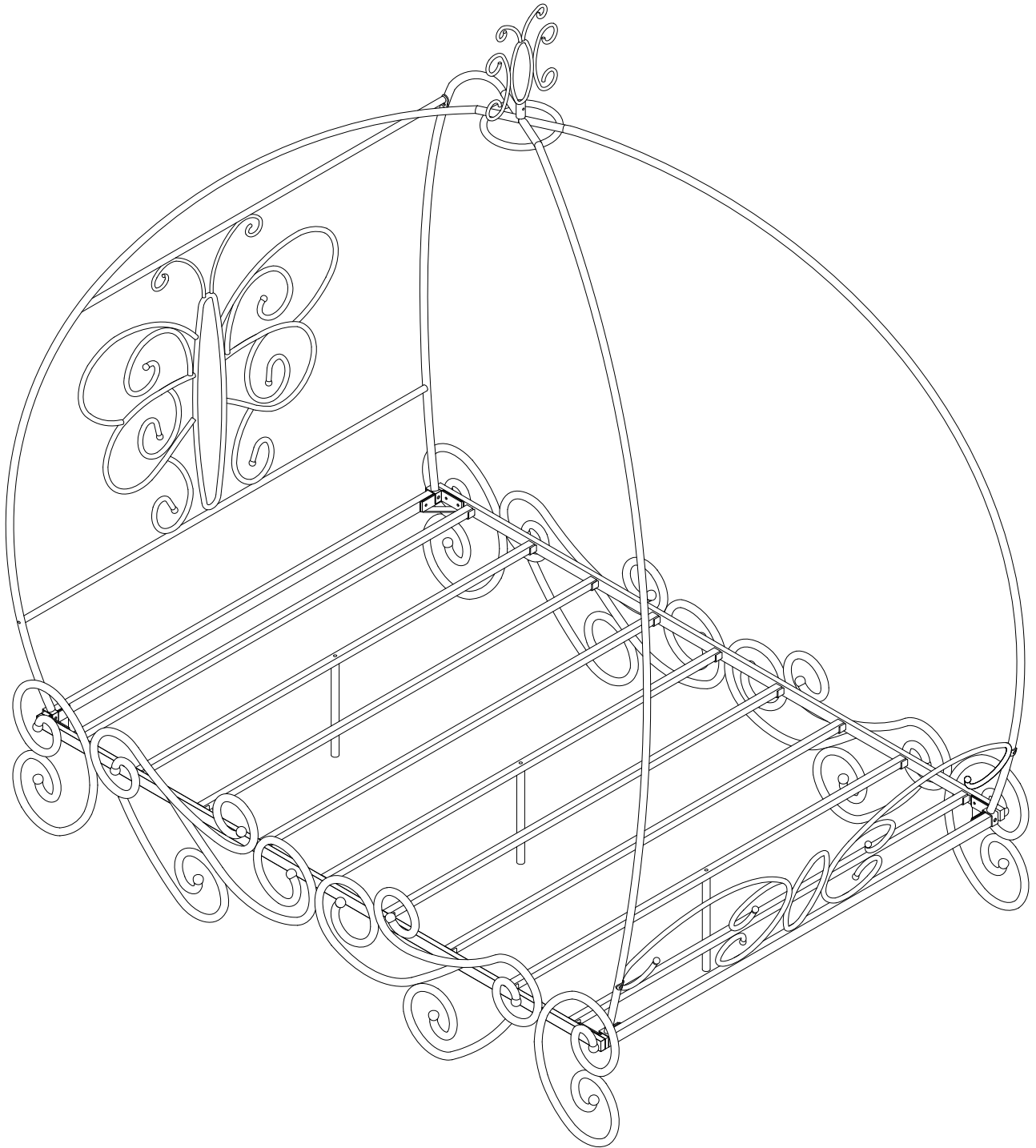


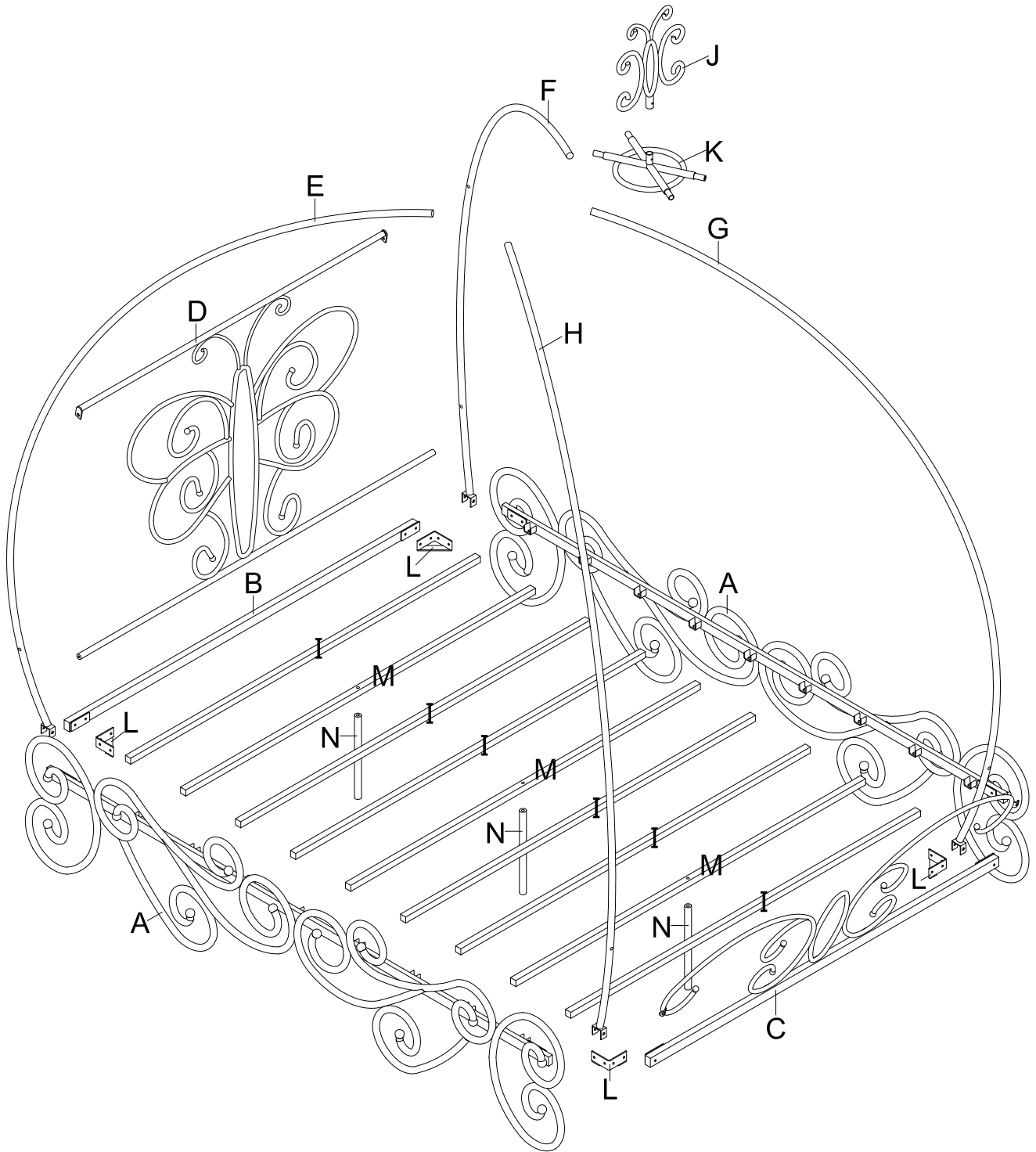
# **ASSEMBLY INSTRUCTIONS**

ITEM NO.:30535F

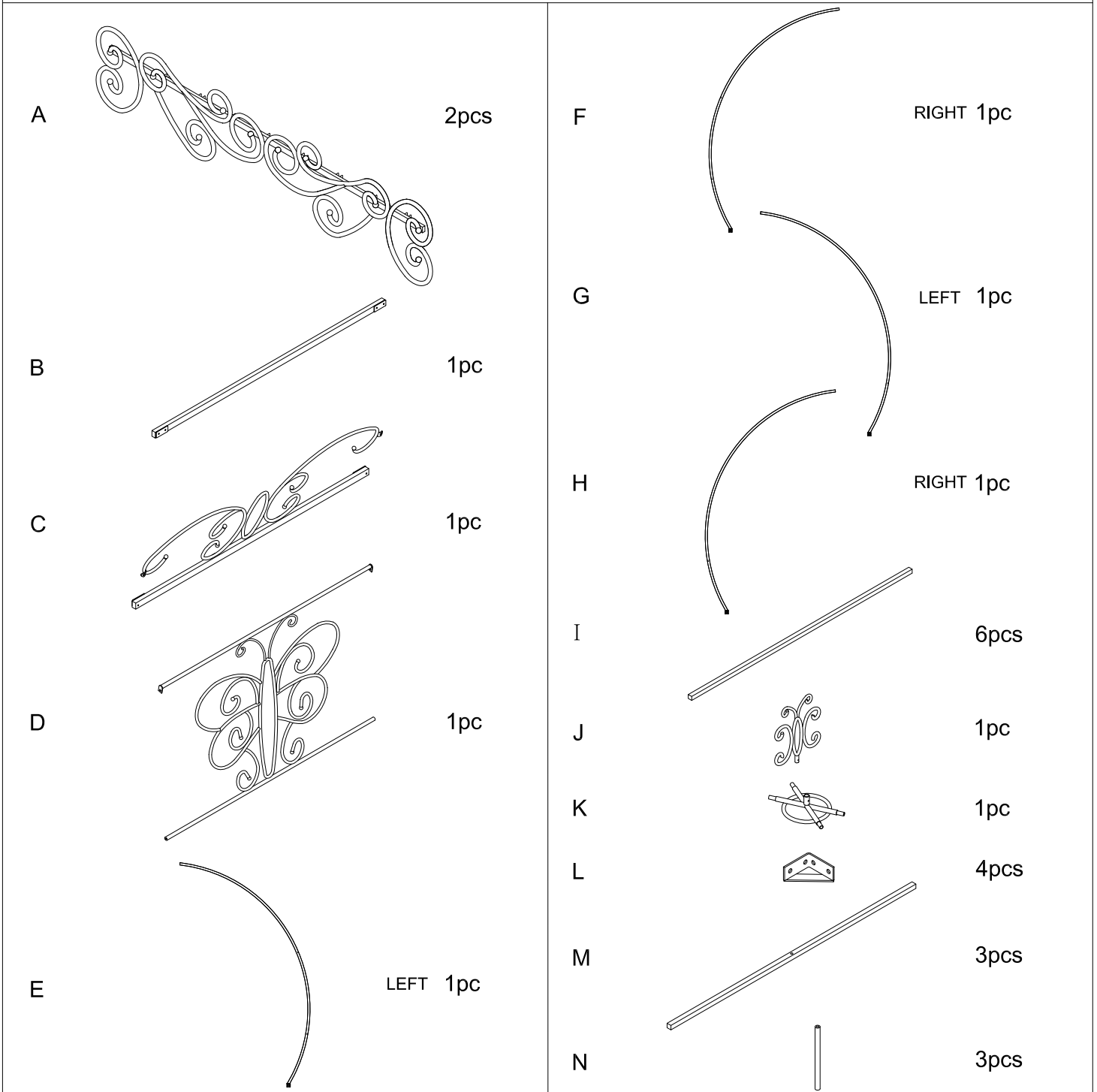


**Do not tighten screws until completely assembled.**

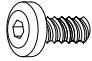
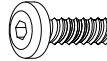
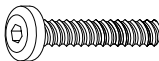



# PARTS IDENTIFICATION

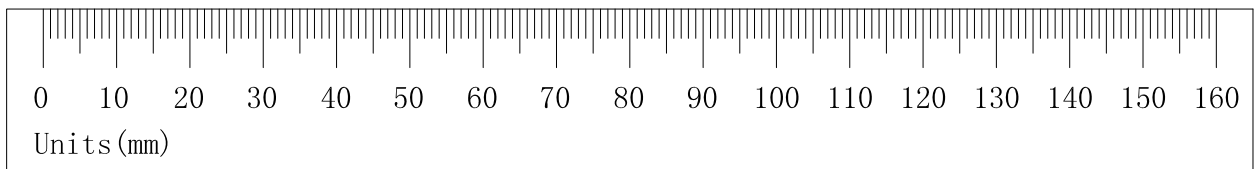


# PARTS IDENTIFICATION

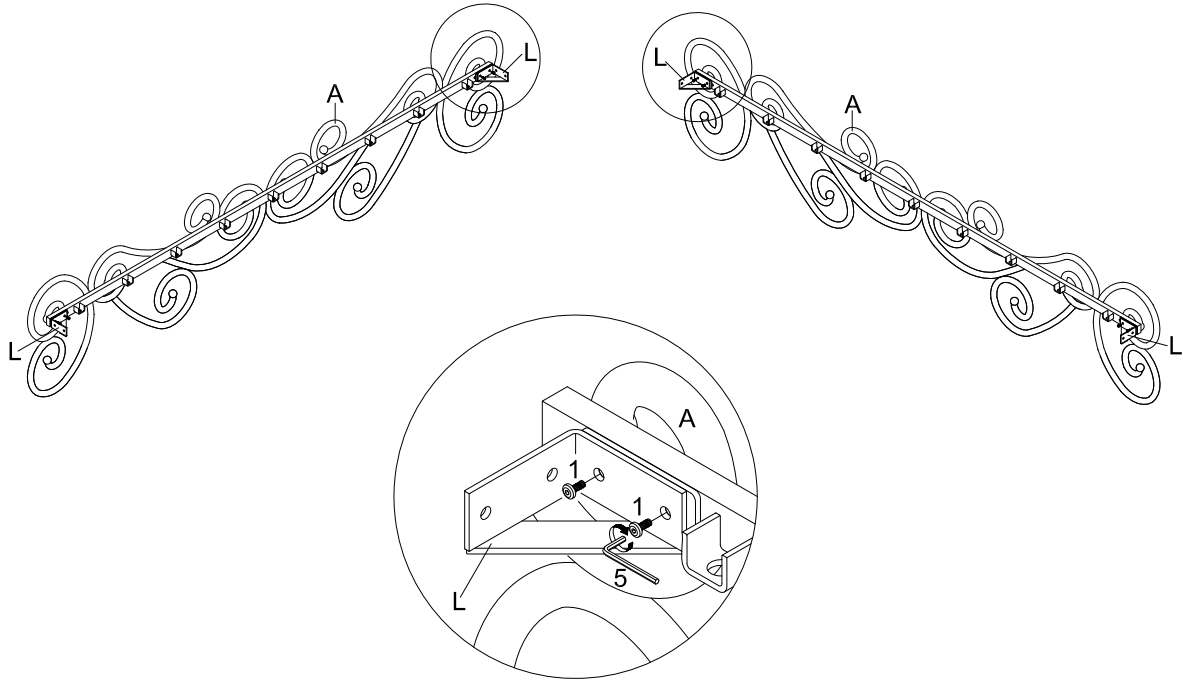


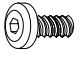
## HARDWARE LIST

<b>1</b> M6x15  27pcs	<b>2</b> M6x25  4pcs	<b>3</b> M6x30  5pcs
<b>4</b> M6x18  4pcs	<b>5</b> 4x4  2pcs	<b>6</b> Ø16xØ7x1.0  6pcs

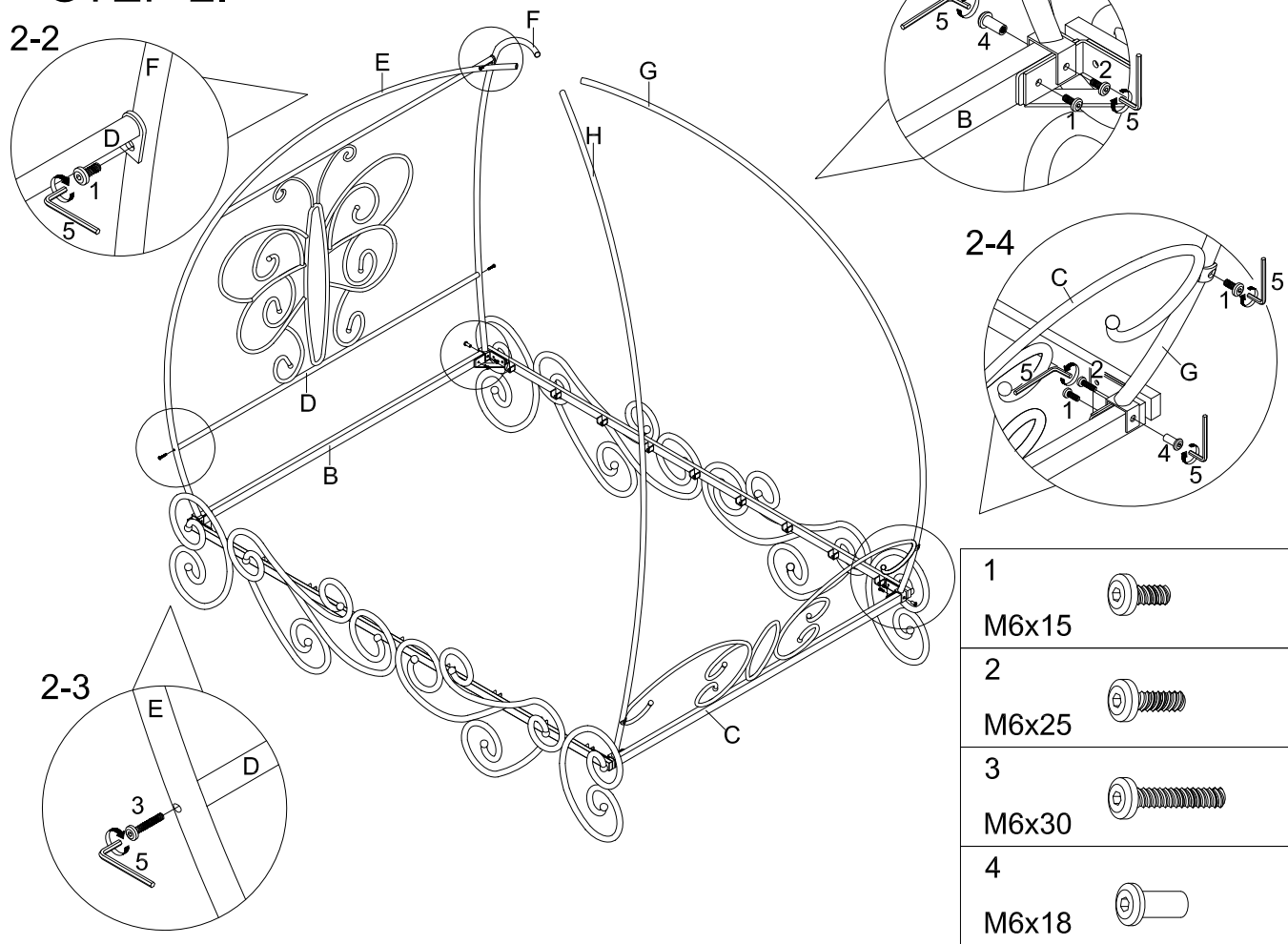


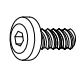
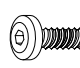
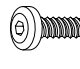
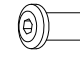
# STEP 1.



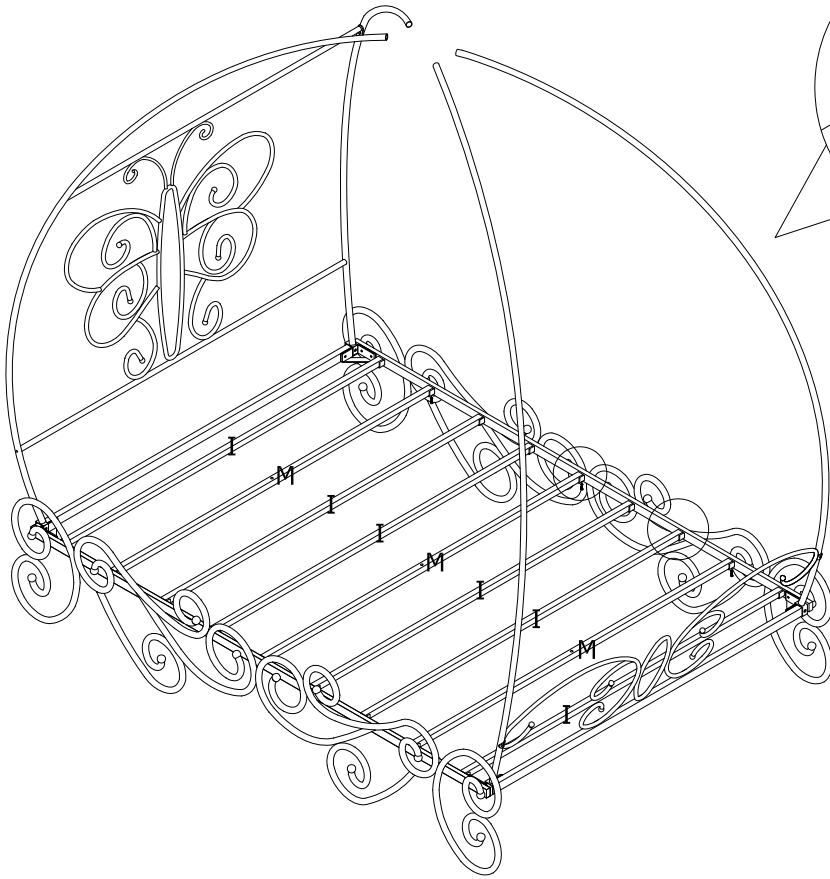
1		8pcs
M6x15		

# STEP 2.

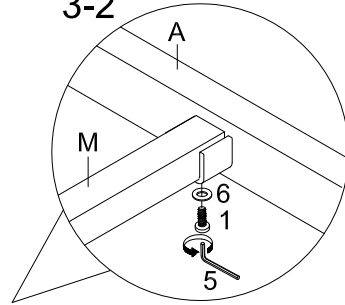


1		8pcs
M6x15		
2		4pcs
M6x25		
3		2pcs
M6x30		
4		4pcs
M6x18		

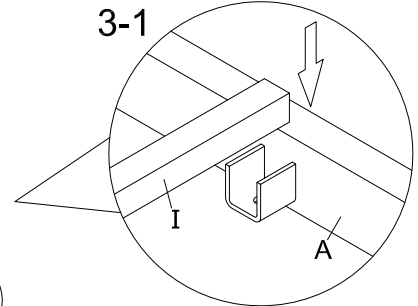
### STEP 3.





3-2

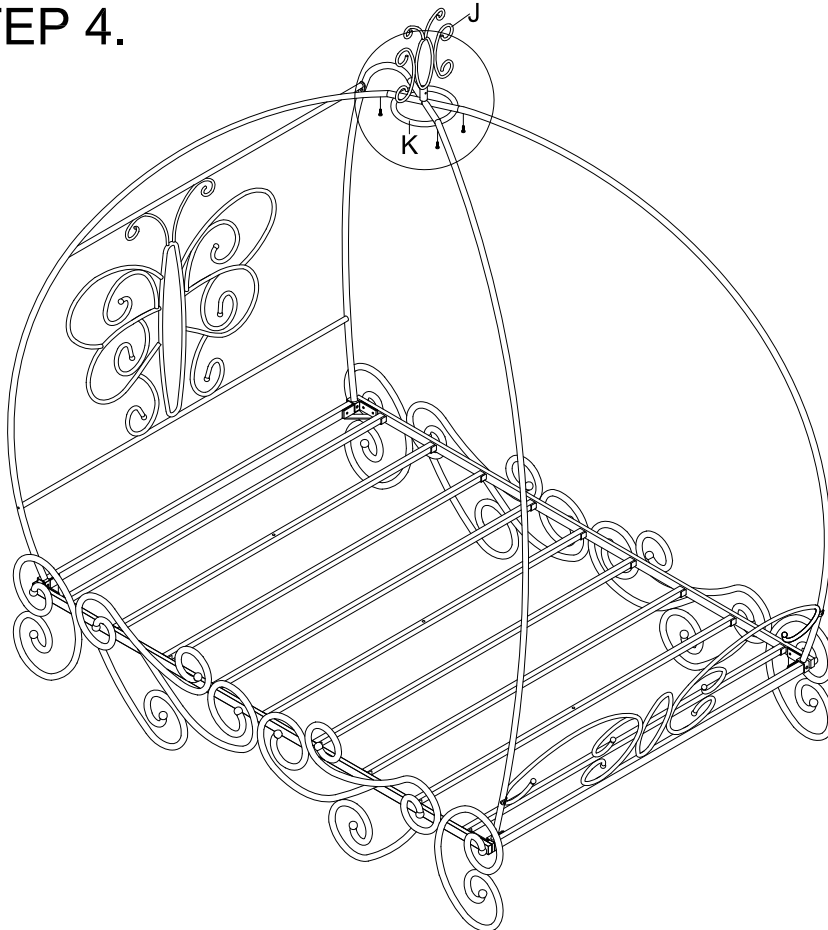


3-1

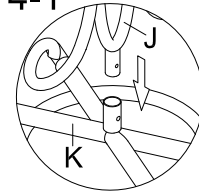


1		6pcs
M6x15		
6		6pcs
Ø16xØ7x1.0		

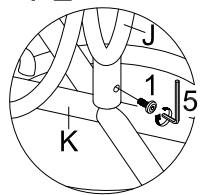
### STEP 4.



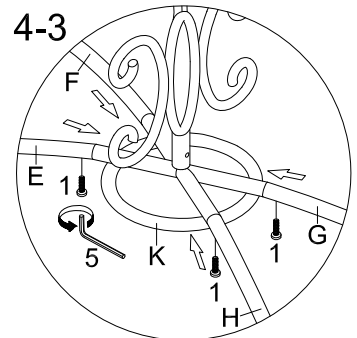
4-1

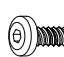


4-2

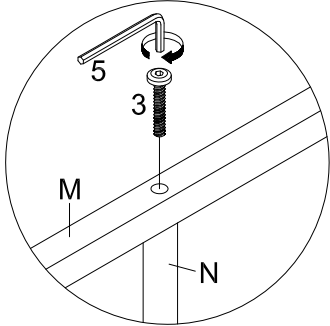
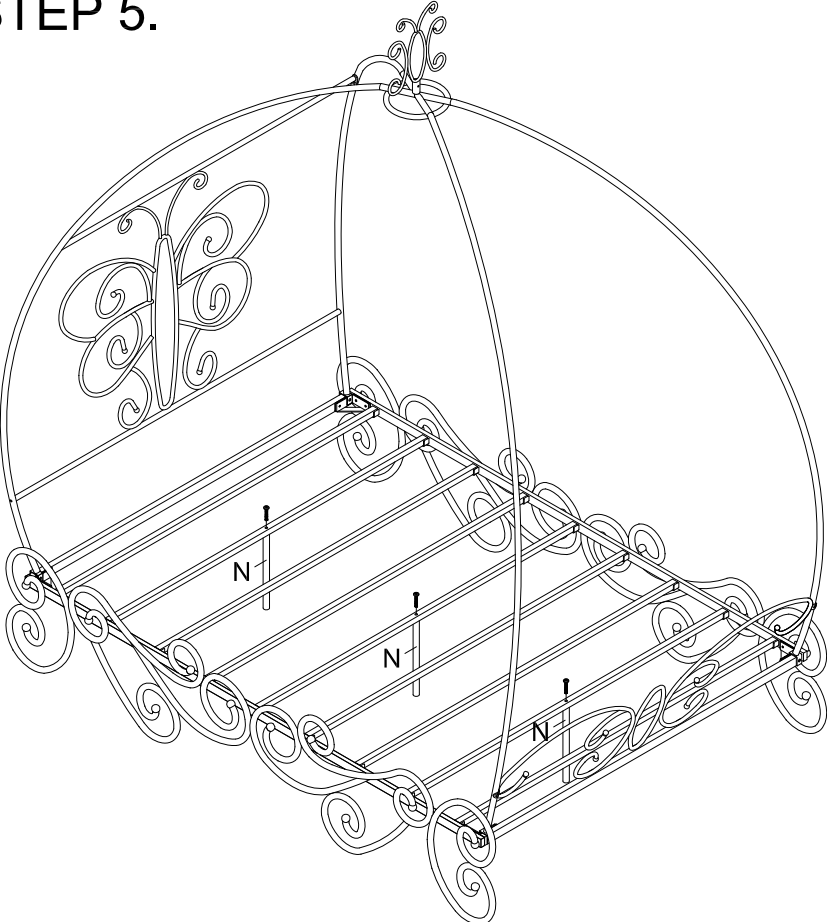



4-3



1		5pcs
M6x15		

**STEP 5.**



3		3pcs
M6x30		

**STEP 6.**

