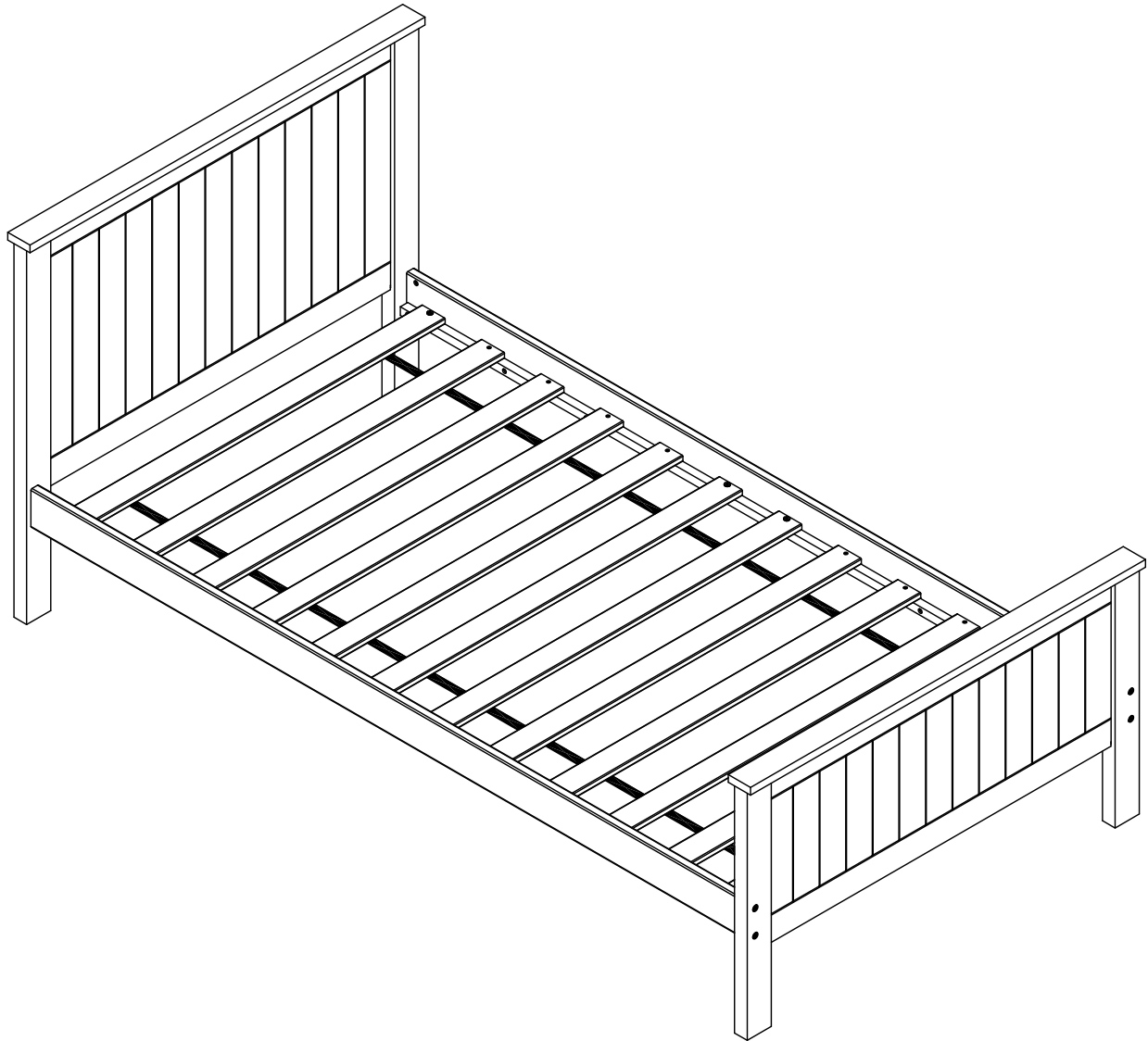


# ASSEMBLY INSTRUCTION

MODEL : 30025T/BD00494 **V2** TWIN BED (990 x 1905)MM

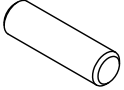
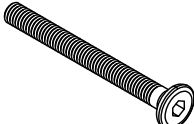

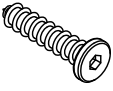

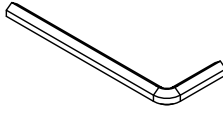
ACME FURNITURE



## **CARE & MAINTENANCE:**

- Check all the components and fittings before start assembly.
- Assemble the item as close as possible to its final position (in the room of use).
- Assemble on a soft level surface to avoid damaging the unit or your floor.
- Assemble the parts will be easier with 2 persons.
- Periodically check all screws and fittings to ensure they are secure.
- The use of power drill is not recommended as this could damage the unit. Only use hand screwdrivers.
- DO NOT push the bed frame as this will damage the legs.
- Always lift the item with 2 persons to reposition.
- Keep any sharp objects away from the item.
- DO NOT drag objects across finished surfaces.
- Avoid placing your furniture in direct sunlight.
- Use clean, soft, dry, and lint-free cloth for the dusting process.

## HARDWARE LIST (VP 408)

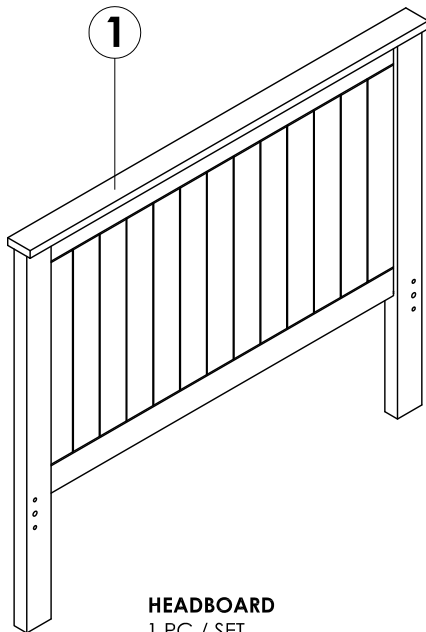
<p><b>A</b> <span style="float: right;"><b>4 PCS</b></span></p>  <p>PLASTIC DOWEL (M10 x 35MM)</p>	<p><b>B</b> <span style="float: right;"><b>8 PCS</b></span></p>  <p>JCBC BOLT (M6 x 60MM)</p>	<p><b>C</b> <span style="float: right;"><b>8 PCS</b></span></p>  <p>JRN NUT (M6 x 13MM)</p>
<p><b>D</b> <span style="float: right;"><b>8 PCS</b></span></p>  <p>JCBC W SCREW (M7 x 32MM)</p>	<p><b>E</b> <span style="float: right;"><b>16 PCS</b></span></p>  <p>CSK C/B SCREW (M4 x 32MM)</p>	<p><b>F</b> <span style="float: right;"><b>1 PC</b></span></p>  <p>ALLEN KEY (M4 x 60MM)</p>



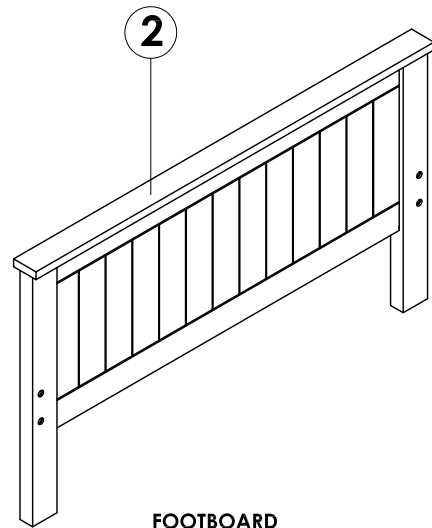
*Do not recommend the use of power drills/drivers for inserting bolts/screws as this could damage the unit.*

**Tools Required :**  
Crosshead Screw Driver

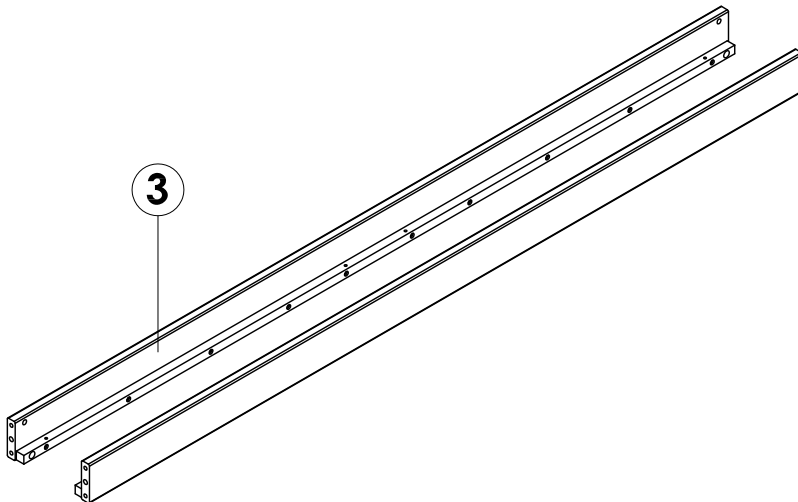
## PART LIST



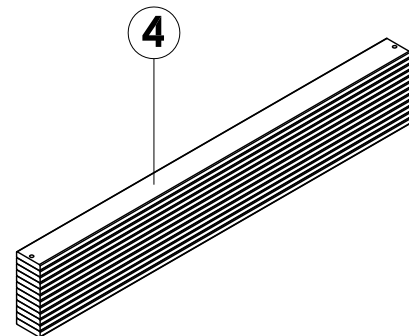
**HEADBOARD**  
1 PC / SET  
(CARTON 1 OF 2)



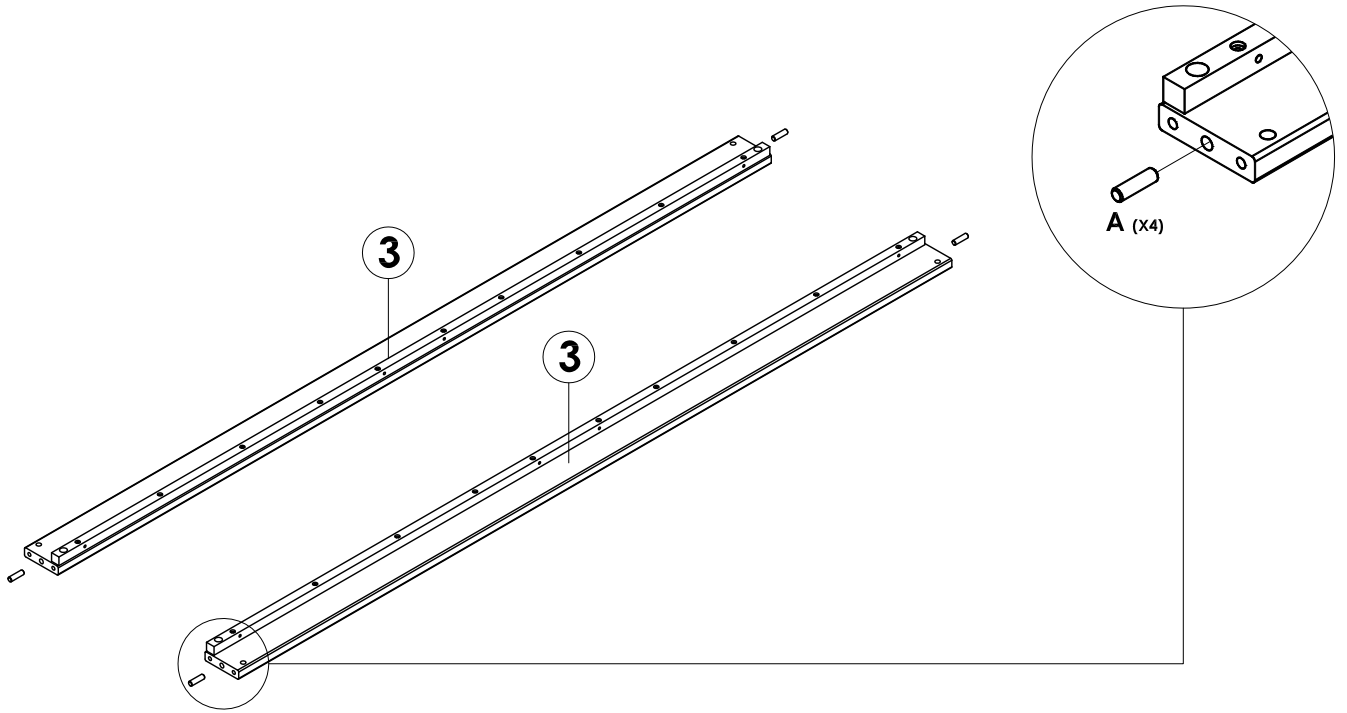
**FOOTBOARD**  
1 PC / SET  
(CARTON 1 OF 2)



**SIDE RAIL**  
2 PCS / SET  
(CARTON 2 OF 2)

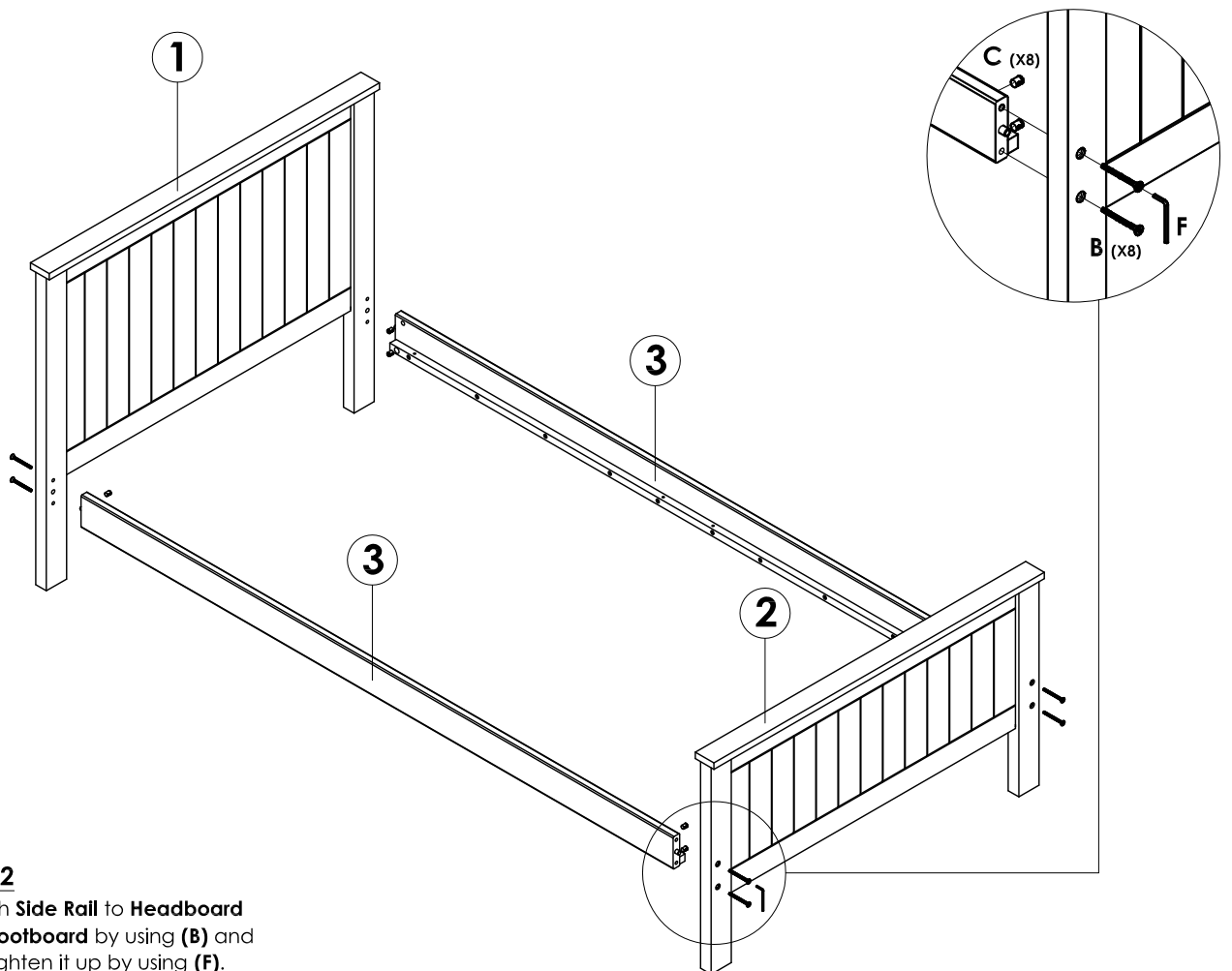


**WOODEN SLAT**  
12 PCS / SET  
(CARTON 1 OF 2)



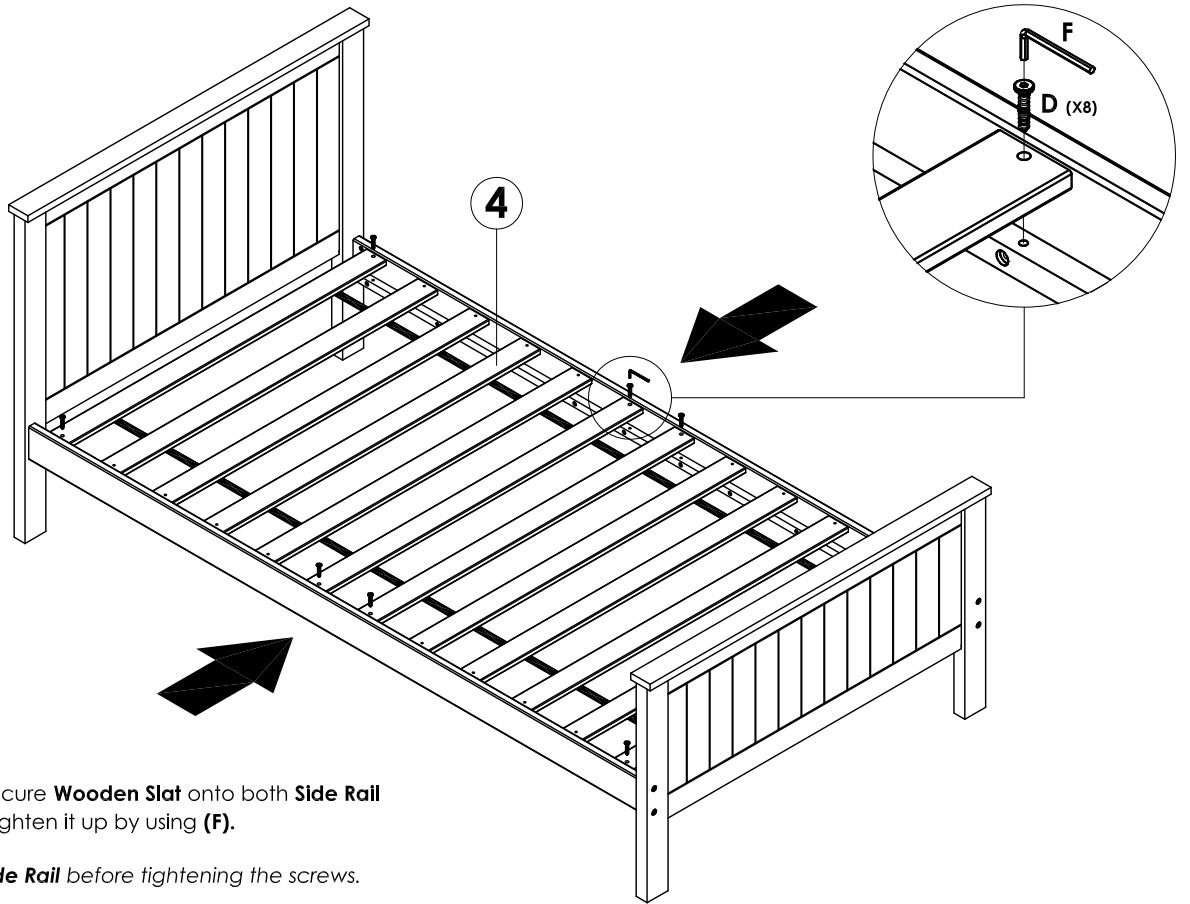
**STEP 1**

Insert **(A)** into  $\varnothing 10\text{MM}$  holes on both **Side Rail**.



**STEP 2**

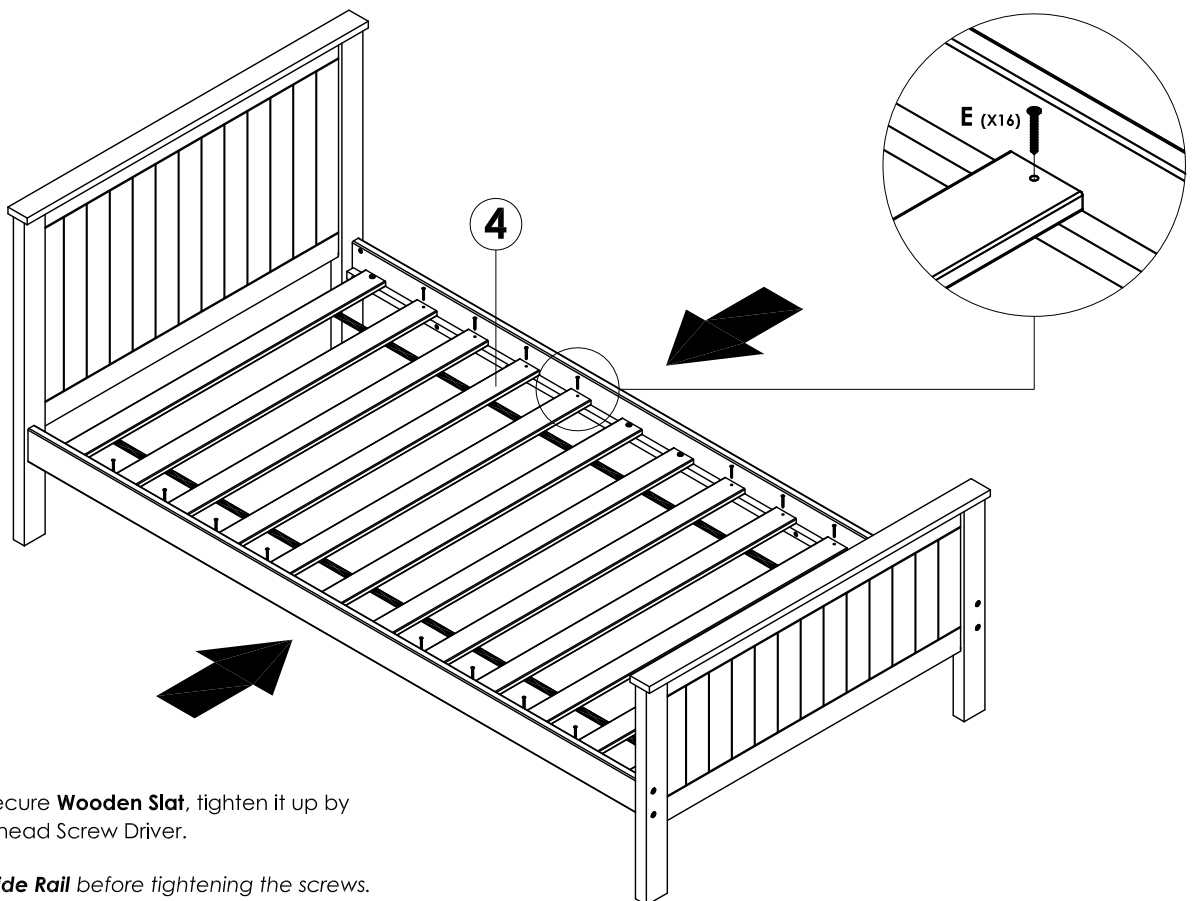
Attach **Side Rail** to **Headboard** and **Footboard** by using **(B)** and **(C)**, tighten it up by using **(F)**.



**STEP 3**

Attach and secure **Wooden Slat** onto both **Side Rail** by using **(D)**, tighten it up by using **(F)**.

*\*Align both **Side Rail** before tightening the screws.*



**STEP 4**

Using **(E)** to secure **Wooden Slat**, tighten it up by using a Crosshead Screw Driver.

*\*Align both **Side Rail** before tightening the screws.*