

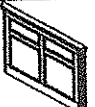


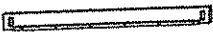

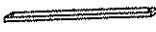
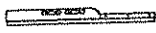
ASSEMBLY INSTRUCTIONS

ITEM : 30000F-HB / 30001F-FB / 30002F-R








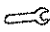

DESCRIPTION : FULL PANEL HEADBOARD/ FOOTBOARD/ RAILS & SLATS

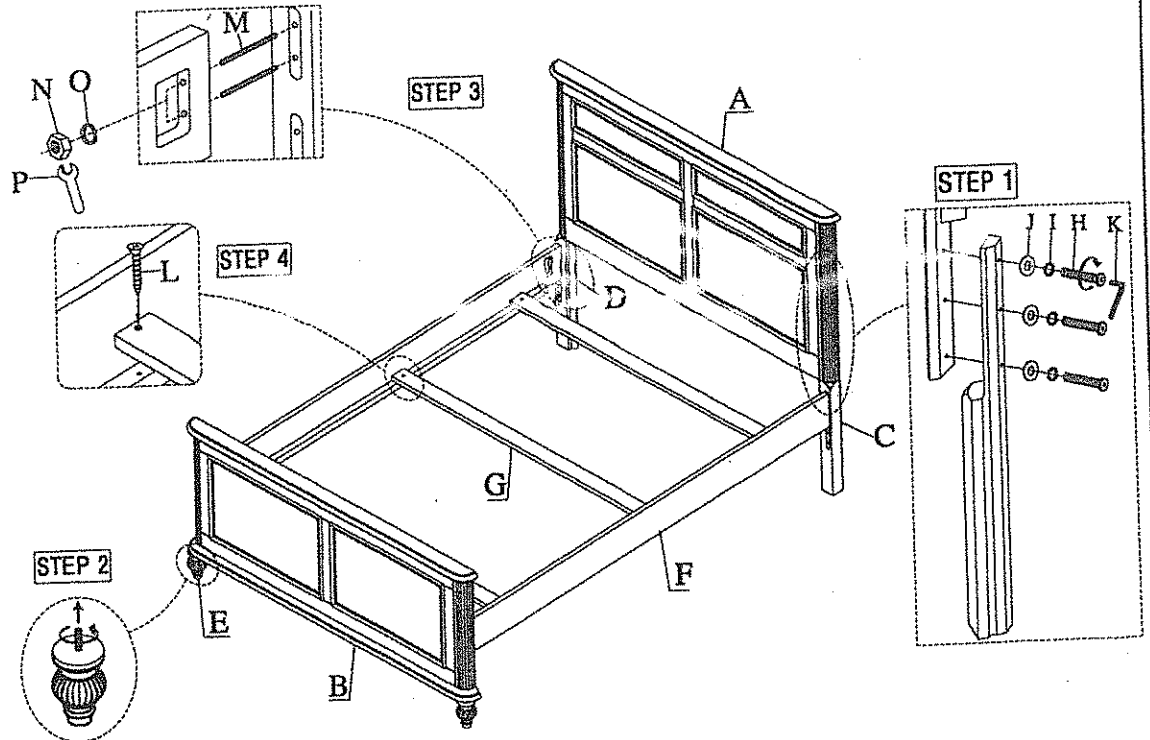
Thank you for purchasing this quality product. Be sure to check all packing material carefully for small Hardware which may have come loose inside the carton during shipment. Identify and count all Hardware and compare with the Hardware List Below.

PART LIST:

A	Headboard Panel		1pc	E	Footboard Bunfeet		2pcs
B	Footboard Panel		1pc	F	Bed Rails		2pcs
C	Headboard Leg Right		1pc	G	Bed Slats		3pcs
D	Headboard Leg Left		1pc				

HARDWARE LIST:

H	JCBC Screw M6 X 40MM		6 PCS	M	Hanger bolt 5/16" x 3 1/2"		8 PCS
I	Spring Washer 1/4"		6 PCS	N	Hexagon nut 5/16"		8 PCS
J	Flat Washer 1/4" x 19 x 1MM		6 PCS	O	Spring washer 5/16"		8 PCS
K	Allen Key M4 L		1 PC	P	Spanner		1 PC
L	CBS Screw M4 x 32MM		6 PCS				



MADE IN VIET NAM