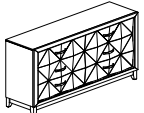
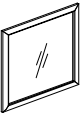



ASSEMBLY INSTRUCTION FOR ACME FURNITURE

MODEL# 27644

Thank you for purchasing the quality product. Be sure to check all packing material carefully for small parts which may have come loose inside the carton during shipment. Separate, identify and count all parts and metal hardware. Compare with all parts list to be sure all parts are present. If any part (s) are missing or damaged, please contact your local furniture dealer. For efficient and speedy service, please indicate the model number and code letter of part (s) needed.

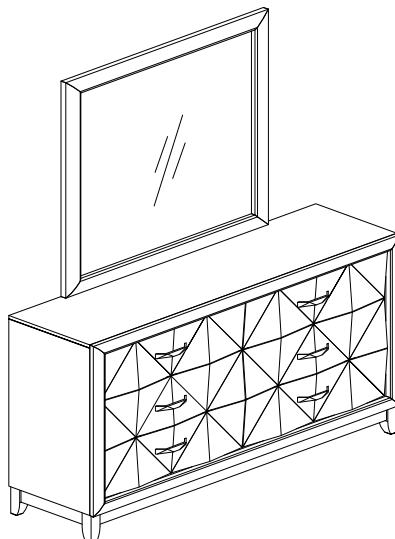
Do not fully tighten screws until fully assembled

COMPONENT PARTS		
DESCRIPTION	PART NAME	QTY (PCS)
1	 DRESSER	1
2	 MIRROR	1
3	 MIRROR SUPPORT	2

HARDWARE LIST			
A		JCBC BOLT - M6 x 35 mm	8
B		SPRING WASHER - M6	8
C		FLAT WASHER - M6	8
D		ALLEN KEY - M4	1

Attention:

*** Some number parts listed on the instruction sheet may not be in parts bag as they may already be assembled. Carefully check parts and packing materials prior to ordering replacements.

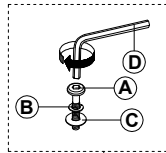
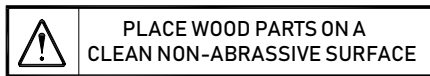


ASSEMBLY INSTRUCTION FOR ACME FURNITURE

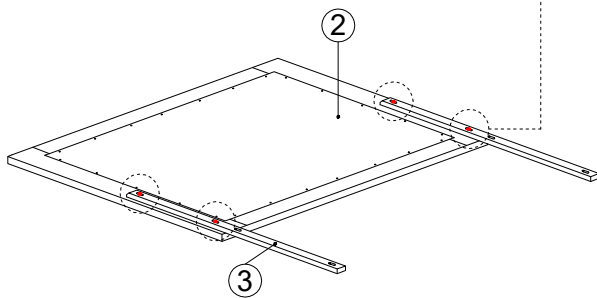
MODEL# 27644

How to assemble:

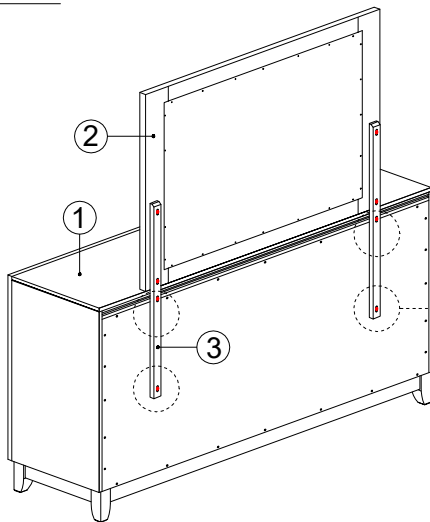
STEP 1



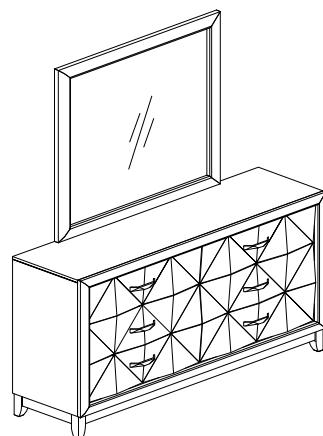
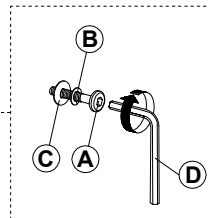
Fix Mirror Support on top of Mirror .
Insert JCBC BOLT (A) into the holes at the mirror support .
Tighten the support rail to the mirror & dresser with JCBC
Bolt (A) using ALLEN KEY (D) .



STEP 2



Fix Mirror on top of Dresser .
Insert JCBC BOLT (A) into the holes at the mirror support .
Tighten the support rail to the mirror & dresser with JCBC
BOLT (A) using ALLEN KEY (D) .



COMPLETE ASSEMBLY