

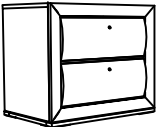
# ASSEMBLY INSTRUCTIONS

**MODEL : 0240A  
NIGHT STAND**

**STEP 1 :** Pull the drawer and take out the Bunfoot carton ( B ). Attach the Metal Leg ( 2 ) at the bottom Night Stand ( A ) by following the marking line provided used CSK screw (1) and tighten with screw driver.  
(NOT PROVIDED)

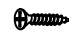

**(BOX 1)**

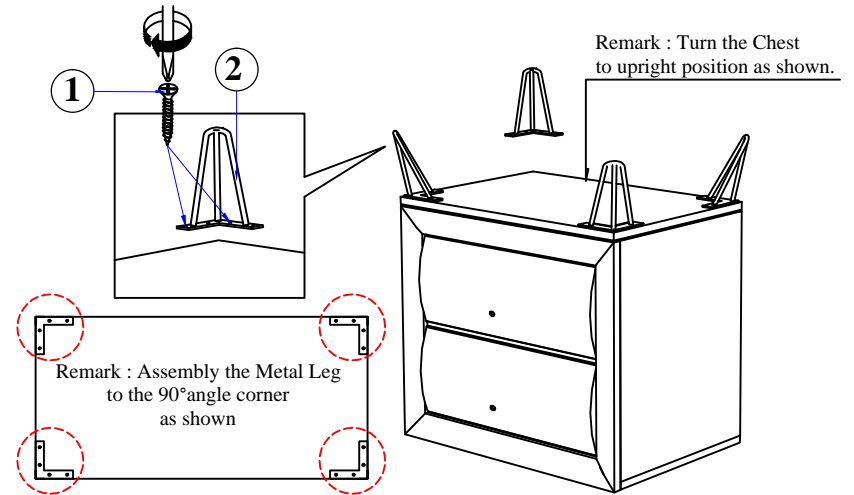
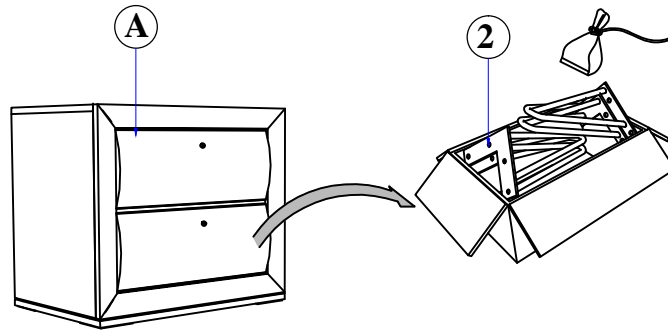
**BOX OF NIGHT STAND**

NO	ITEM	QTY
A	NIGHT STAND 	1 pc

**(BOX 1)**

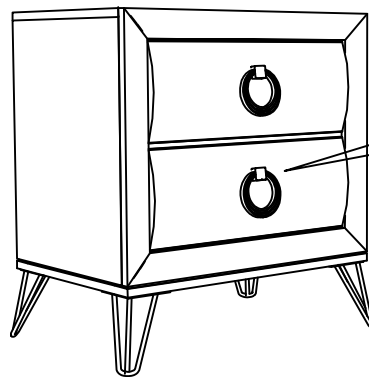
**HARDWARE LIST**

NO	ITEM	QTY
1	Flat Head Chipboard Screw m4x20mm Rbw 	16 PCS
2	Metal Leg 	4 pcs

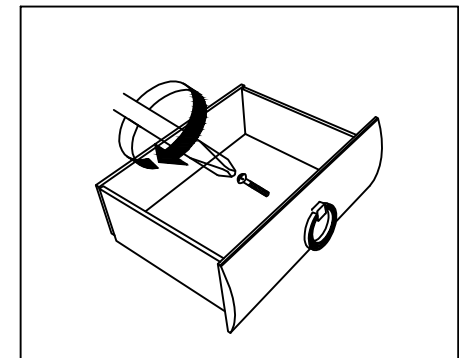
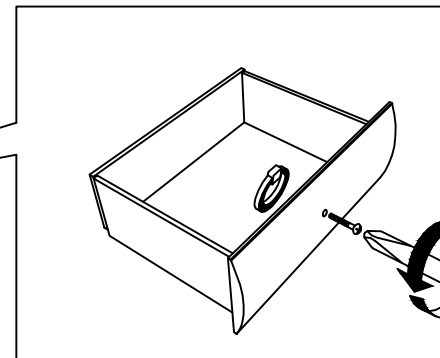


**STEP 1 :**

**STEP 2 :**



**COMPLETED ASSEMBLY**



**NOTE :** MUST TIGHTEN SCREWS **PERIODICALLY** WITH USE SCREW WILL BECOME LOOSE CHECK TIGHTNESS OF ALL SCREW EVERY 6-8 WEEKS.