

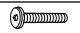






ASSEMBLY INSTRUCTION FOR ACME FURNITURE

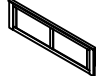

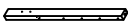

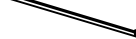
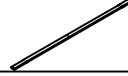
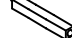
MODEL # 27320 Q-HF - Q HEADBOARD&FOOTBOARD

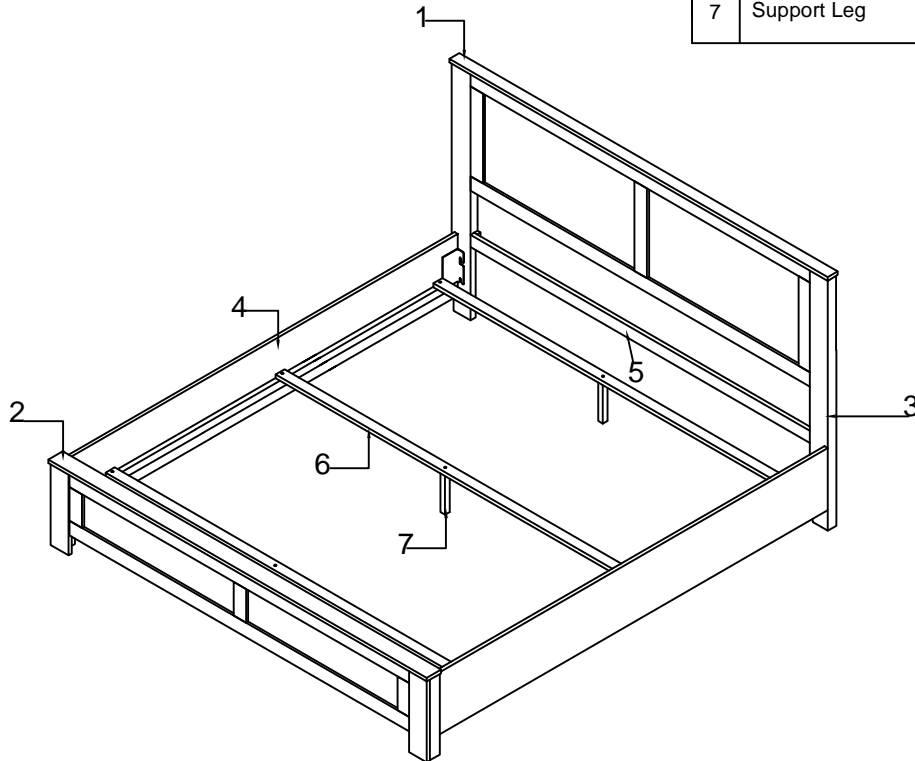
MODEL#27321 Q-R QUEEN BED-RAILS

Thank you for purchasing this quality product. Be sure to check all packing material carefully for small parts which may have come loose inside the carton during shipment. Separate, identify and count all parts and metal hardware. Compare with parts list to be sure all parts are present. If any part (S) are missing or damaged, please contact your local furniture dealer. For efficient and speedy service, please indicate the model number and code letter of parts (s) when needed.

Do not fully tighten screws until fully assembled

HARDWARE LIST				
No	Description	Sketch	Size	Qty
A	Allen Bolt		5/16"X35mm	8pcs
B	Allen Bolt		5/16"X55mm	10pcs
C	Lock Washer		5/16"	18pcs
D	Flat Washer		5/16"X19X2mm	18pcs
E	Allen Key		4mm	1 pc
F	Screw		#8X25mm	6 pcs
G	Cotter Nut		1/4"X35mm	2sets

No.	Description	Sketch	Qty
1	Headboard Panel		1 pc
2	Footboard		1 pc
3	Headboard Post		2 pcs
4	Side Rails		2 pcs
5	Headboard bottom stretcher		1 pc
6	Slat		3 Set
7	Support Leg		3 pcs



ASSEMBLY INSTRUCTION FOR ACME FURNITURE

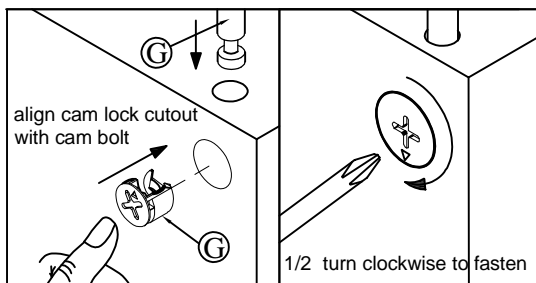
MODEL # 27320 Q-HF - Q HEADBOARD&FOOTBOARD

MODEL#27321 Q-R QUEEN BED-RAILS

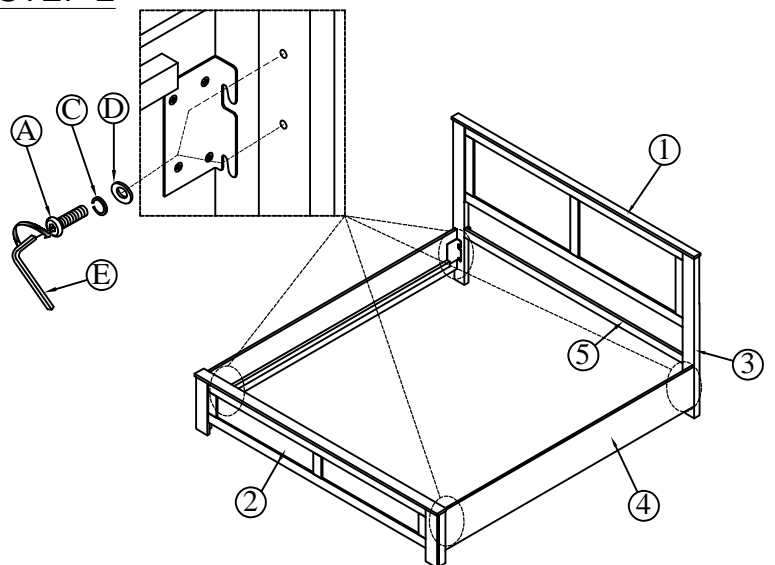
Thank you for purchasing this quality product. Be sure to check all packing material carefully for small parts which may have come loose inside the carton during shipment. Separate, identify and count all parts and metal hardware. Compare with parts list to be sure all parts are present. If any part (S) are missing or damaged, please contact your local furniture dealer. For efficient and speedy service, please indicate the model number and code letter of parts (s) when needed.

Do not fully tighten screws until fully assembled

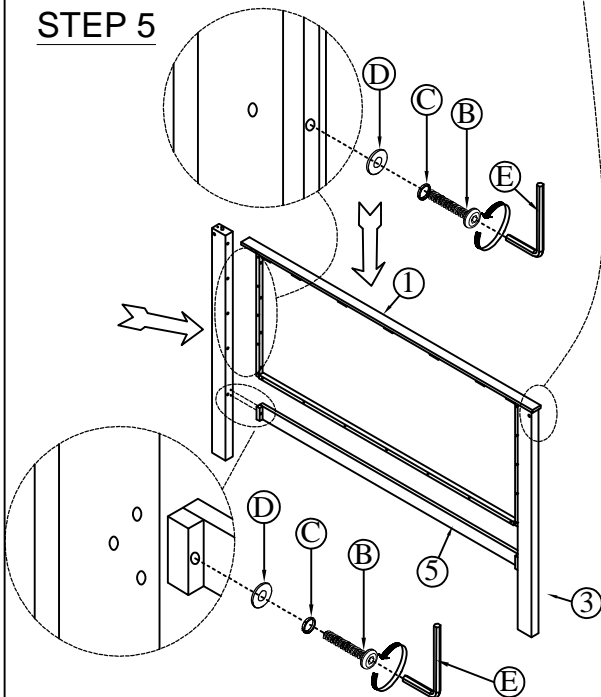
STEP 1



STEP 2



STEP 5



STEP 3

