


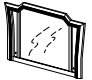

ASSEMBLY INSTRUCTION

MODEL : 27235 & 27234






DESCRIPTION : DRESSER & MIRROR

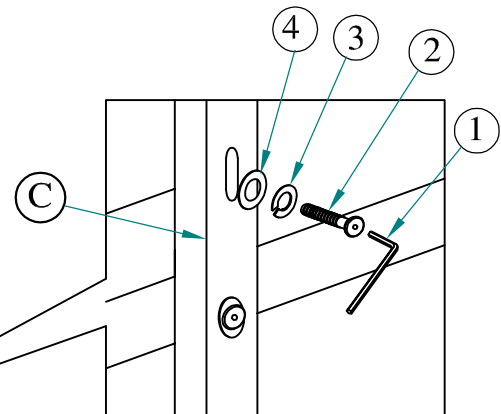
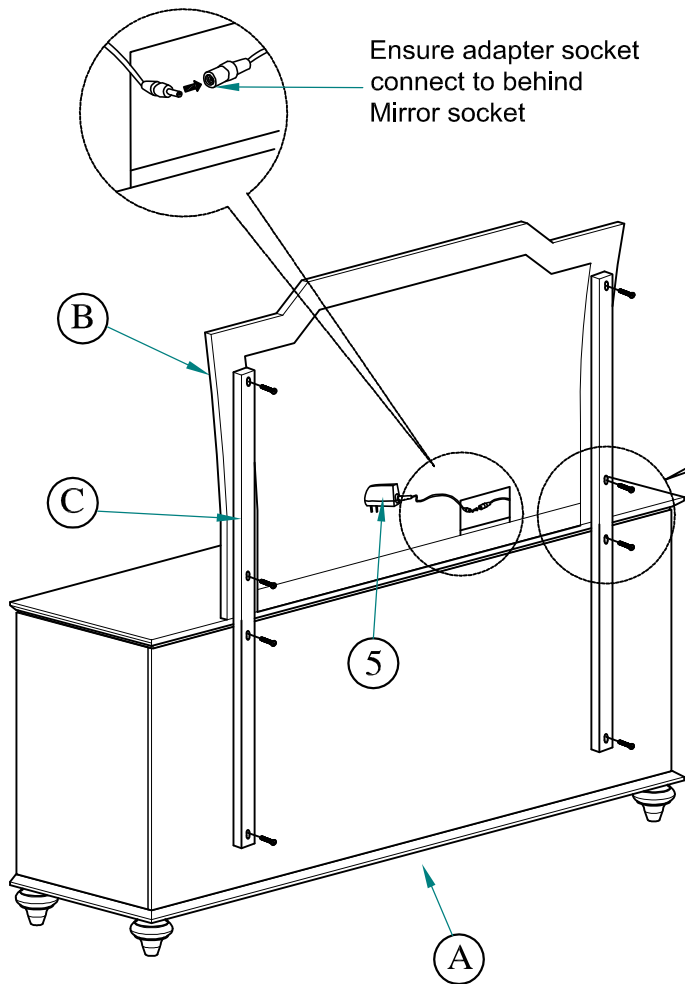
Thank you for purchasing this quality product. Be sure to check all packing material carefully for small parts which may have loose inside the carton during shipment. Identify and count all parts and compare with the parts list below.

BOX OF MIRROR

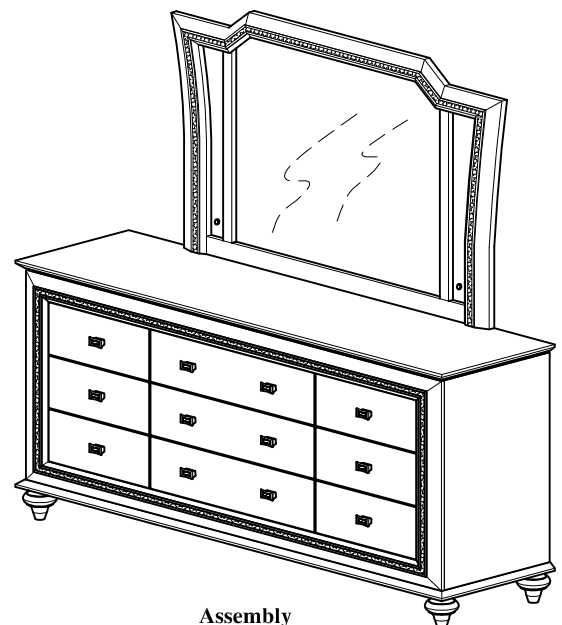
| NO | NAME | PART | QTY |
|----|----------------|---|------|
| A | Dresser |  | 1pc |
| B | Mirror |  | 1pc |
| C | Mirror Support |  | 2pcs |

HARDWARE LIST

| NO | NAME | PART | QTY |
|----|------------------|---|------|
| 1 | Allen key |  | 1pc |
| 2 | JCBC 35mm |  | 8pcs |
| 3 | M6 Spring washer |  | 8pcs |
| 4 | 1/4" Flat washer |  | 8pcs |
| 5 | AC/DC Adapter |  | 1pc |



Step 1: Place (B) Mirror on the top of (A) Dresser as arrow shown. Align Mirror to the center of Dresser and tighten with (2) JCBC 35mm, (3) Spring Washer & (4) Flat Washer.



Assembly completed.