

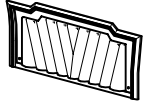

# ASSEMBLY INSTRUCTION

MODEL : 27227CK-HB






DESCRIPTION : CAL KING HEADBOARD

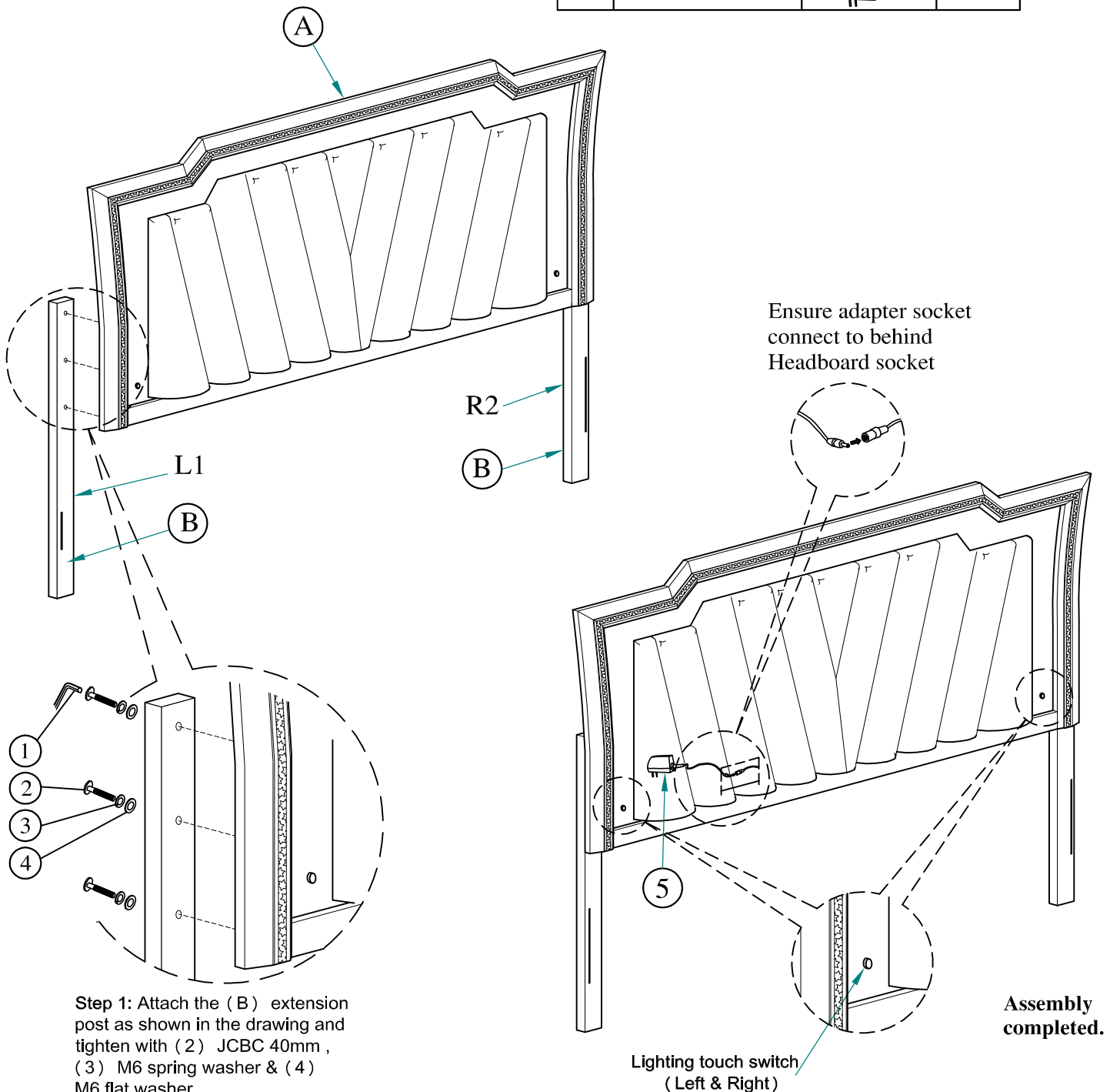
Thank you for purchasing this quality product. Be sure to check all packing material carefully for small parts which may have loose inside the carton during shipment. Identify and count all parts and compare with the parts list below.

## BOX OF MIRROR

NO	NAME	PART	QTY
A	Headboard		1pc
B	Headboard Post - (L/R)		2pcs

## HARDWARE LIST

NO	NAME	PART	QTY
1	Allen key		1pc
2	JCBC 40mm		6pcs
3	M6 Spring washer		6pcs
4	M6 Flat washer		6pcs
5	AC/DC Adapter		1pc




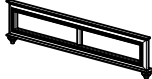



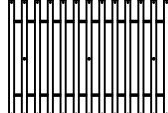
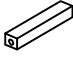
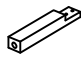
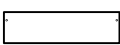
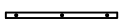



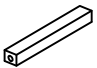
Step 1: Attach the (B) extension post as shown in the drawing and tighten with (2) JCBC 40mm , (3) M6 spring washer & (4) M6 flat washer.

# ASSEMBLY INSTRUCTION







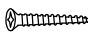
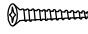


MODEL : 27227CK-HB / 27228CK-FB / 27229CK-DRW / 27224CK-R  
 DESCRIPTION : CAL KING BED WITH 14 SLATS

Thank you for purchasing this quality product. Be sure to check all packing material carefully for small parts which may have loose inside the carton during shipment. Identify and count all parts and compare with the parts list below.






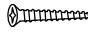

## PART LIST#

NO	NAME	PART	QTY
A	Headboard		1pc
B	Footboard		1pc
C	Side Rail		2pcs
D	Drawer		2pcs
E	Drawer Base Panel		2pcs
F	Roll Slat		13pcs
G	Slat Support Leg (short)		3pcs
H	Drawer Support Leg		1pc
I	Slat Cover Panel		1pc
J	Center Vertical Slat		1pc
K	Drawer Support Rail		1pc
L	Top Cap		2pcs
M	Slat		1pc
N	Slat Support Leg (long)		1pc

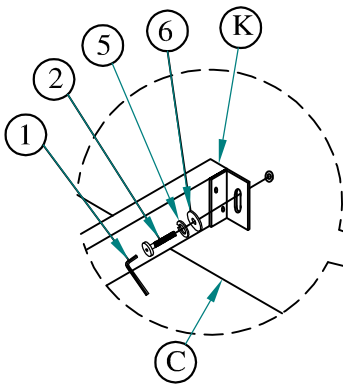
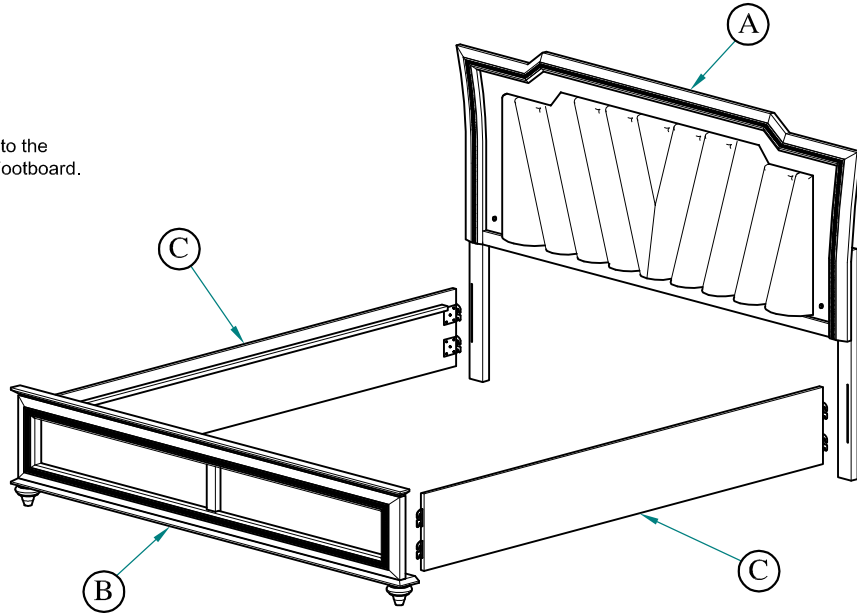
## HARDWARE LIST IN FOOTBOARD#

NO	NAME	PART	QTY
1	Allen key		1pc
2	JCBC 16mm		2pcs
3	JCBC 35mm		9pcs
4	JCBC 60mm		3pcs
5	M6 Spring washer		14pcs
6	M6 Flat washer		7pcs
7	Screw 32mm		26pcs
8	Screw 16mm		2pcs
9	Adjustable Leveller		4pcs
10	1/4" Flat washer		4pcs

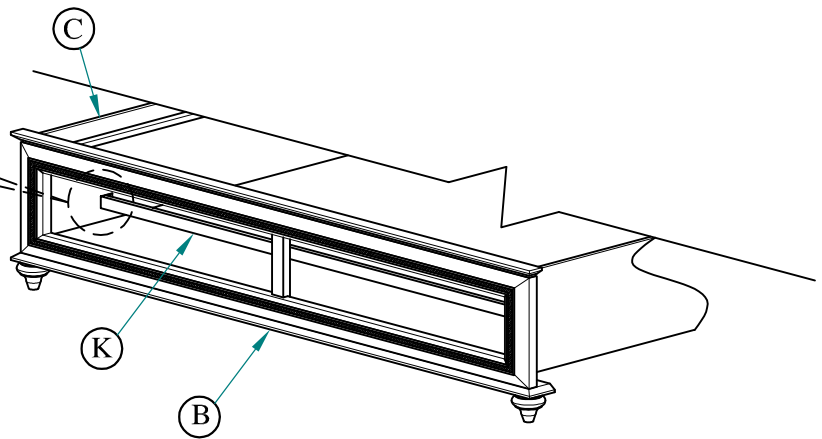
## HARDWARE LIST IN SIDE RAIL#

11	Allen key		1pc
12	JCBC 35mm		1pc
13	JCBC 45mm		10pcs
14	M6 Spring washer		11pcs
15	M6 Flat washer		10pcs
16	Screw 32mm		2pcs
17	Adjustable Leveller		1pc

**Step 1 :**  
 Attach the (C) Side Rail to the  
 (A) Headboard & (B) Footboard.

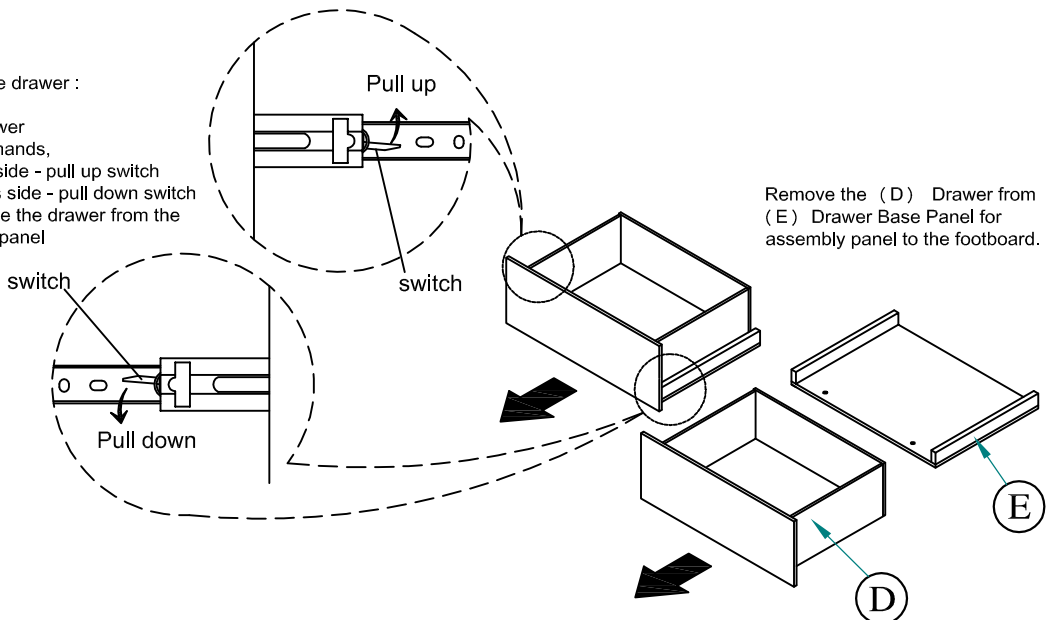


**Step 2 :**  
 Attach the (K) Drawer Support Rail  
 to the (C) Side Rail as a diagram  
 shown tighten with (2) JCBC 16mm, (5)  
 M6 Spring Washer & (6) M6 Flat Washer.



**Step to remove the drawer :**

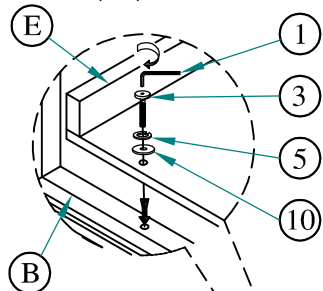
1. Pull the drawer
2. Using both hands,
  - Left hands side - pull up switch
  - Right hands side - pull down switch
3. Than remove the drawer from the drawer base panel



Remove the (D) Drawer from  
 (E) Drawer Base Panel for  
 assembly panel to the footboard.

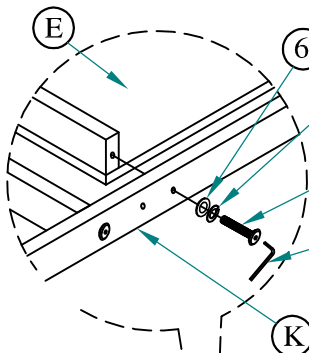
**Step 3 :**

Attach (E) Drawer Base Panel to the (B) Footboard as diagram shown and tighten using (3) JCBC 35mm, (5) M6 Spring Washer & (10) 1/4" Flat Washer.



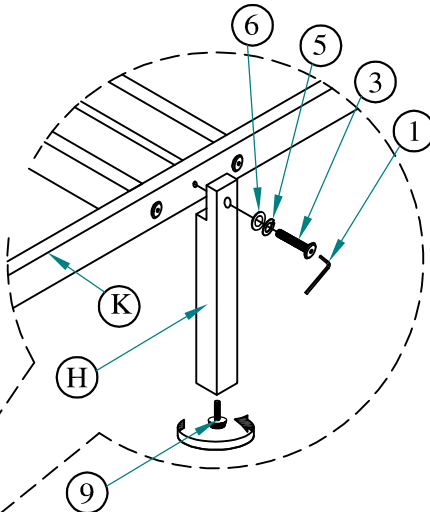
**Step 4 :**

Tighten the (K) Drawer Support Rail to the (E) Drawer Base Panel as diagram shown using the (3) JCBC 35mm, (5) M6 Spring Washer & (6) M6 Flat Washer.

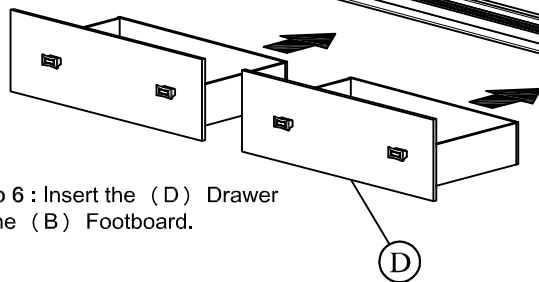


**Step 5 :**

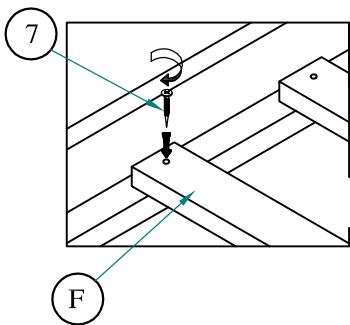
Attach (H) Drawer Support Leg to the (K) Drawer Support Rail using (3) JCBC 35mm, (5) M6 Spring Washer & (6) M6 Flat Washer. Attach the (9) Adjustable Leveller and adjust it to level the bed with the floor.



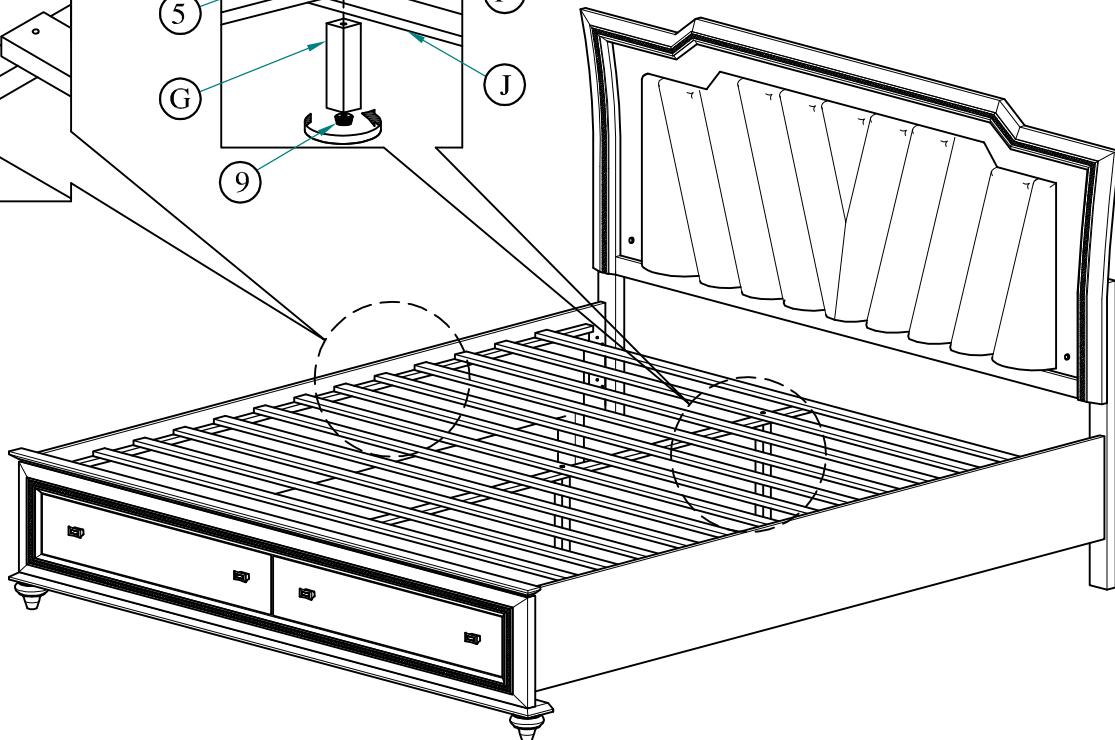
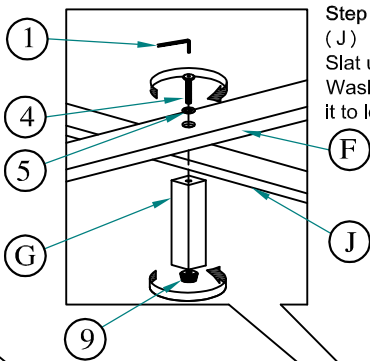
**Step 6 :** Insert the (D) Drawer to the (B) Footboard.

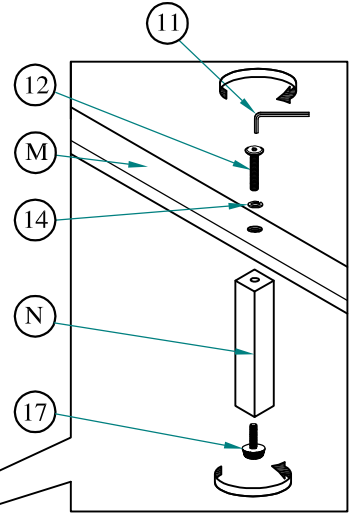
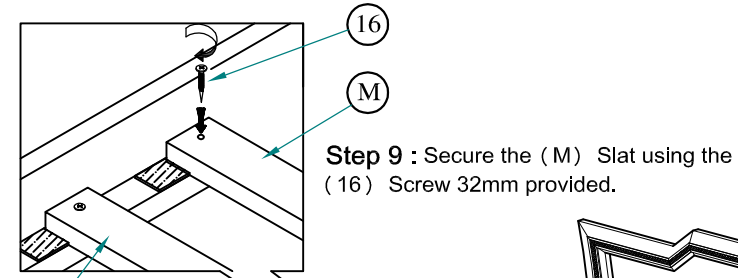


**Step 7 :** Secure the (F) Roll Slat using the (7) Screw 32mm provided.

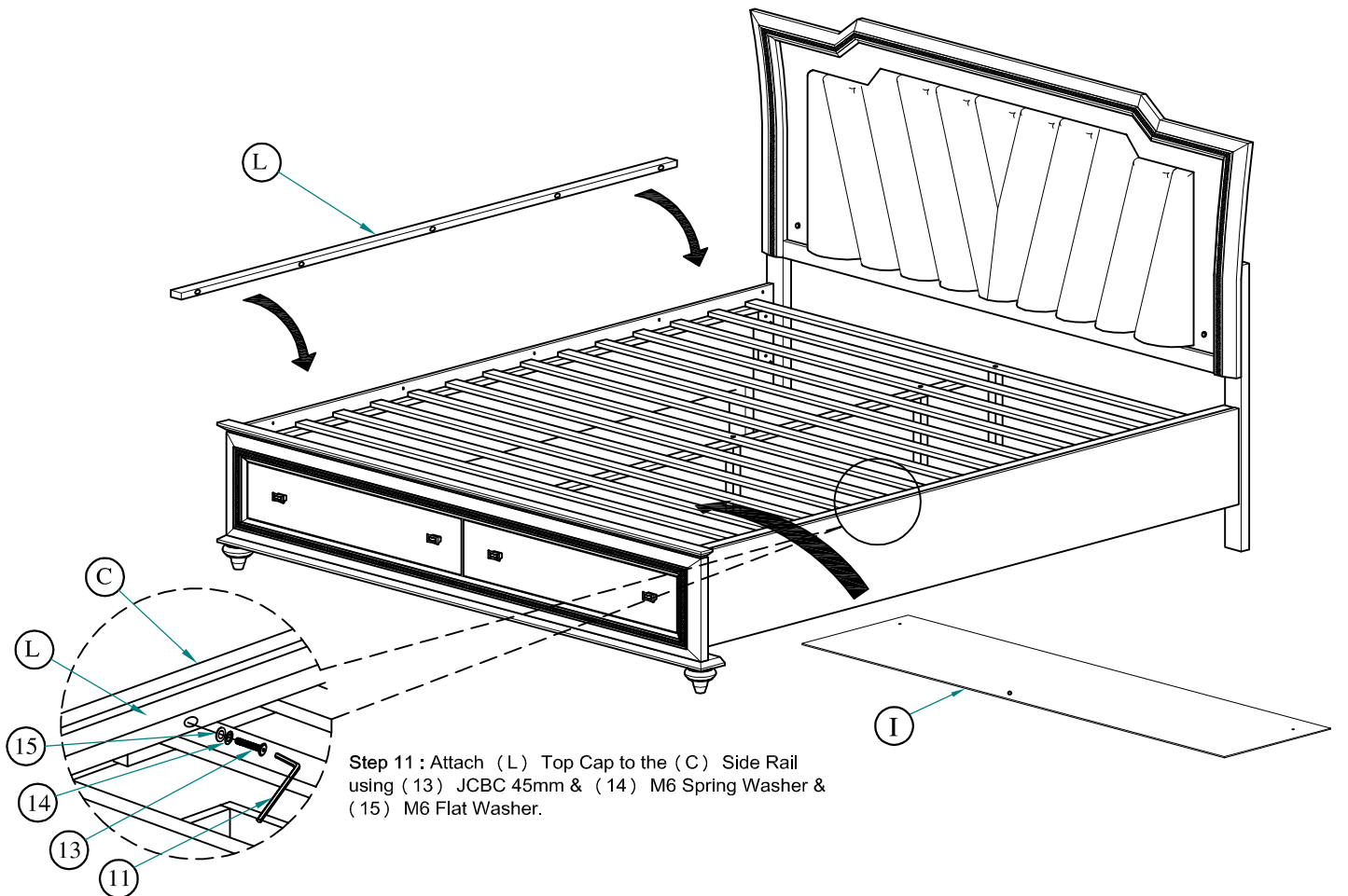
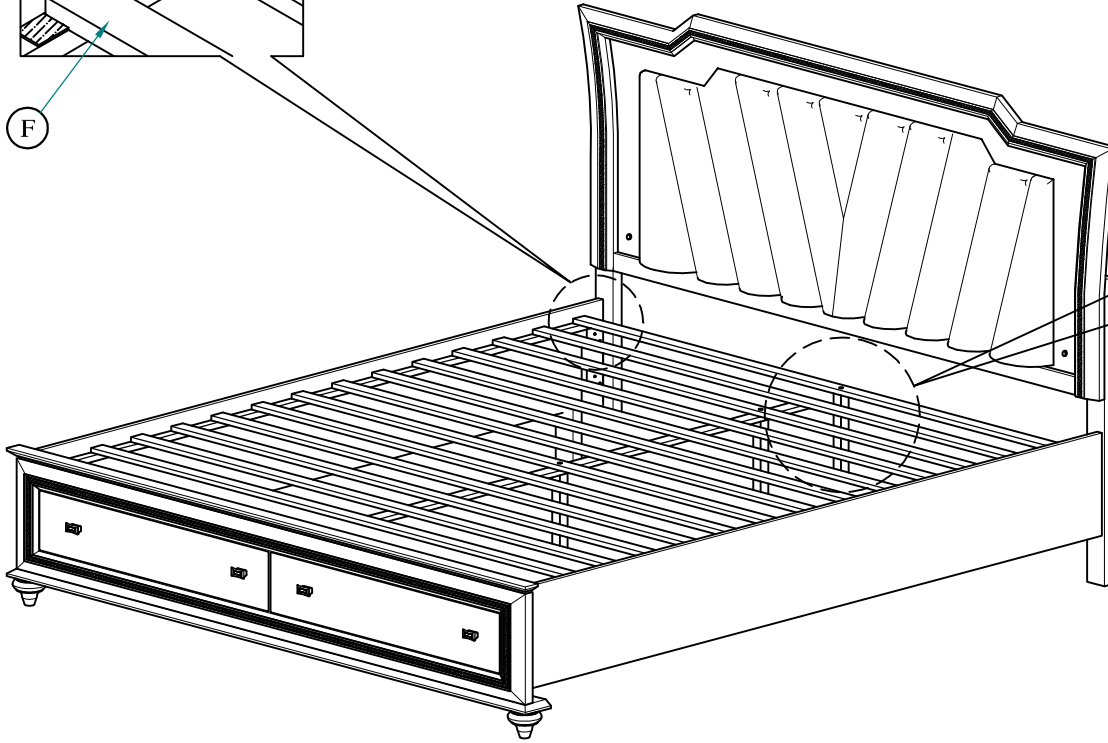


**Step 8 :** Attach (G) Slat Support Leg (short) & (J) Center Vertical Slat to the bottom of (F) Roll Slat using (4) JCBC 60mm & (5) M6 Spring Washer. Attach the (9) Adjustable leveller and adjust it to level the bed with the floor.



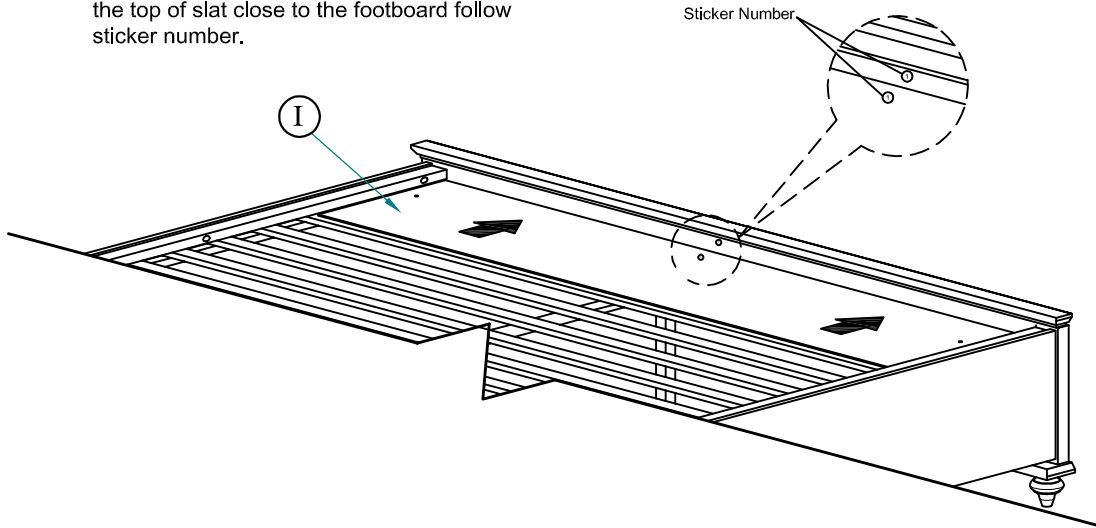


**Step 10 :** Attach (N) Slat Support Leg (long) to the bottom of (F) Slat using (12) JCBC 35mm & (14) M6 Spring Washer. Attach the (17) Adjustable leveller and adjust it to level the bed with the floor.

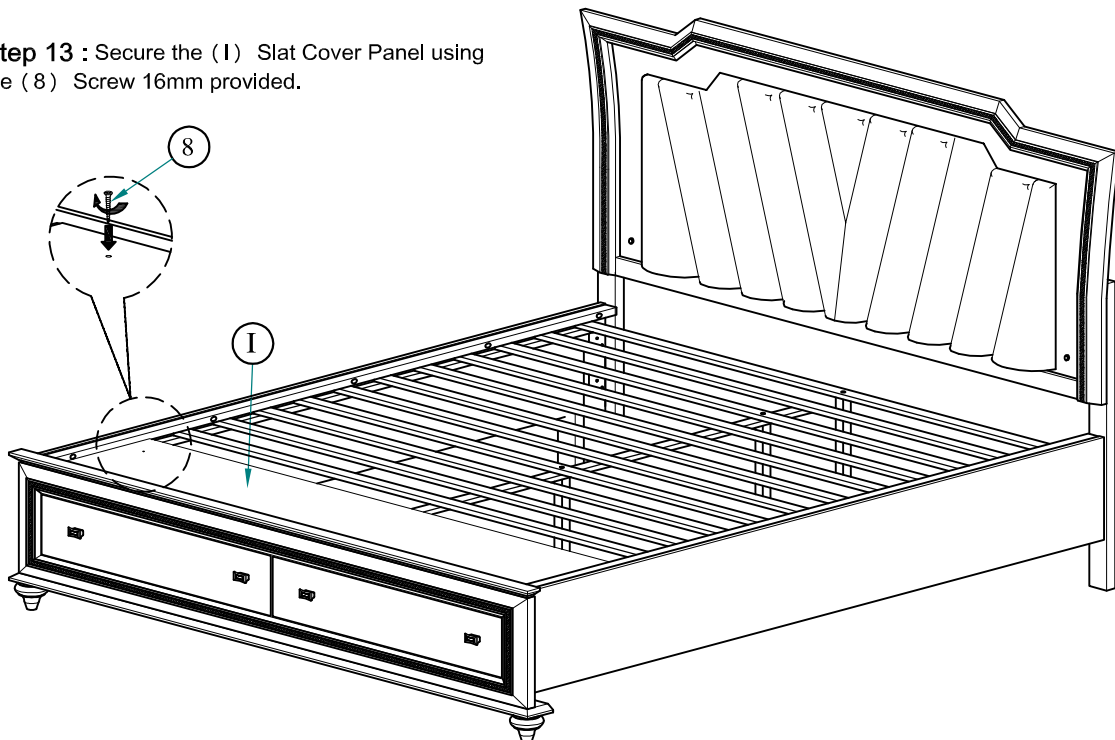


**STEP 12 :**

Attach the (1) Slat Cover Panel to the top of slat close to the footboard follow sticker number.



**Step 13 :** Secure the (1) Slat Cover Panel using the (8) Screw 16mm provided.



**Assembly completed**

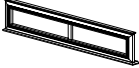

# ASSEMBLY INSTRUCTION

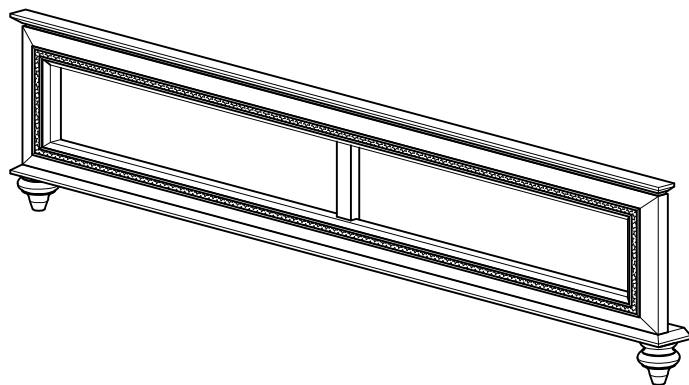
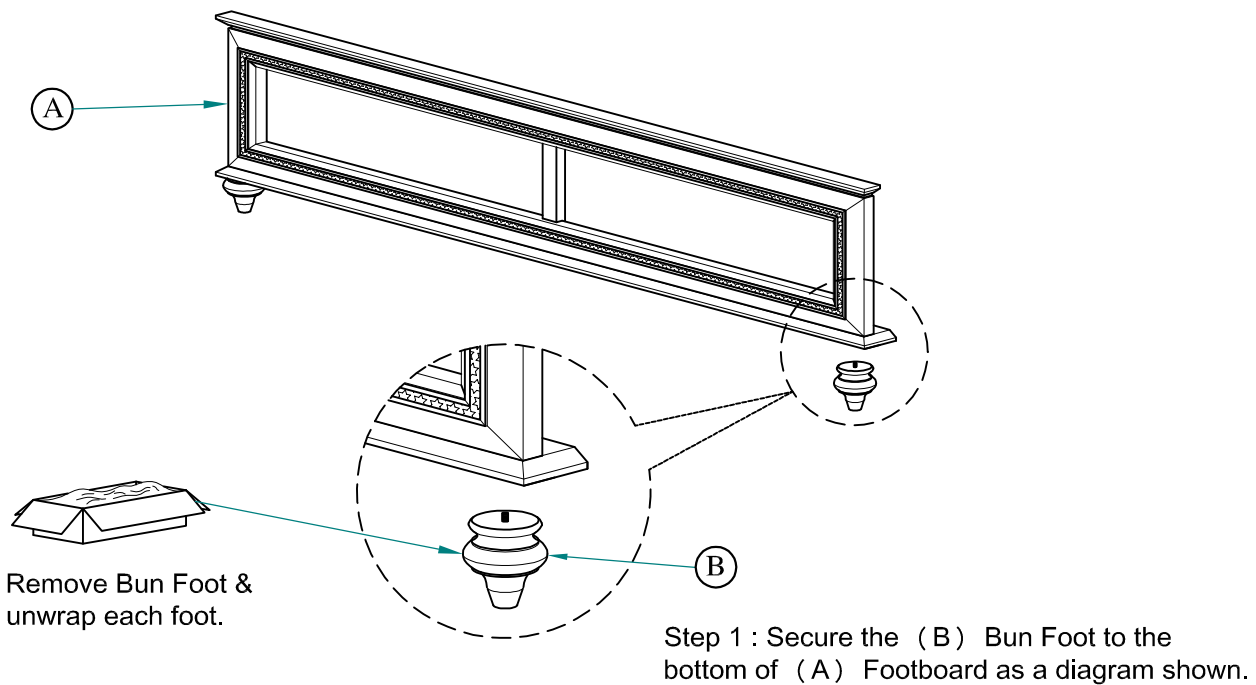
MODEL : 27228CK-FB

DESCRIPTION : CAL KING FOOTBOARD

Thank you for purchasing this quality product. Be sure to check all packing material carefully for small parts which may have loose inside the carton during shipment. Identify and count all parts and compare with the parts list below.

## PART LIST#

NO	DRAWING	DESCRIPTION	QTY
A		Footboard	1pc
B		Bun Foot	2pcs



Assembly completed