

ASSEMBLY INSTRUCTIONS






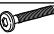


MODEL : 26540Q

REVISION : A

ASSEMBLY TIPS :

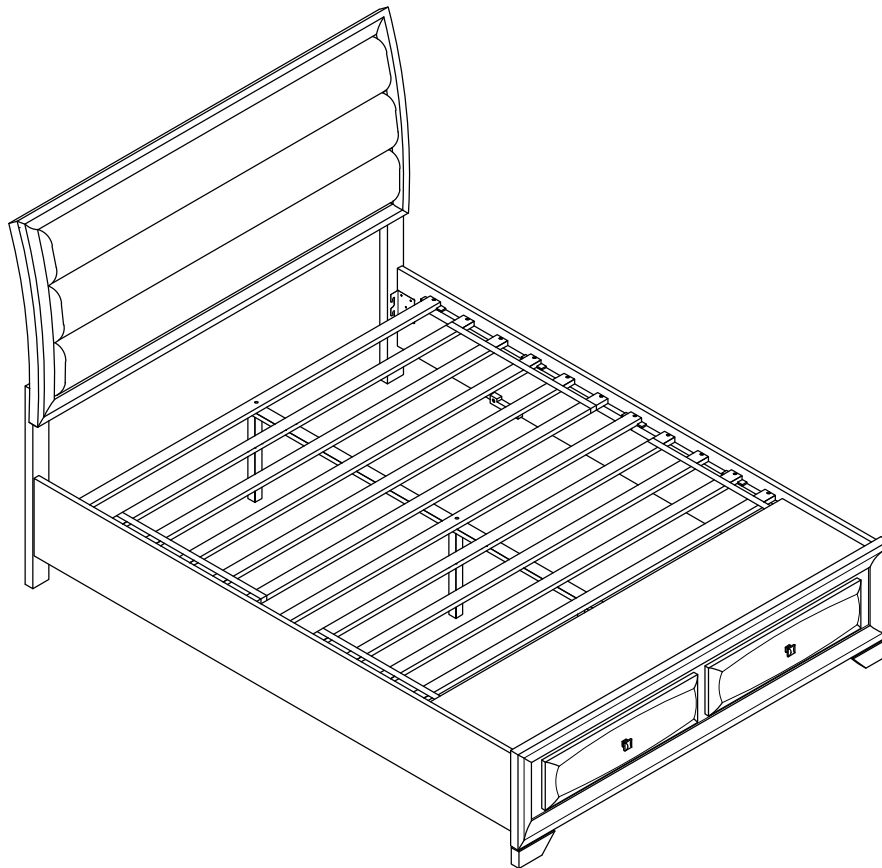
1. Remove hardware from box and sort by size.
2. Please check to see that all hardware and parts are present prior to start of assembly.
3. Please follow attached instructions in the same sequence as numbered to assure fast and easy assembly.

Component List		
Headboard & Footboard		
No	Descriptions	Qty
A	Headboard Panel	1
B	Headboard Leg Left (L)	1
C	Headboard Leg Right (R)	1
D	Footboard Panel	1
E	Slat Cover	1
F	Drawer Slat	1
G	Drawer Slat Support	1
H	Drawer Slat Support Stopper	1
I	Bed Slat 3 Holes	3
J	Bed Slat 2 Holes	10
K	Bed Slat Support	3

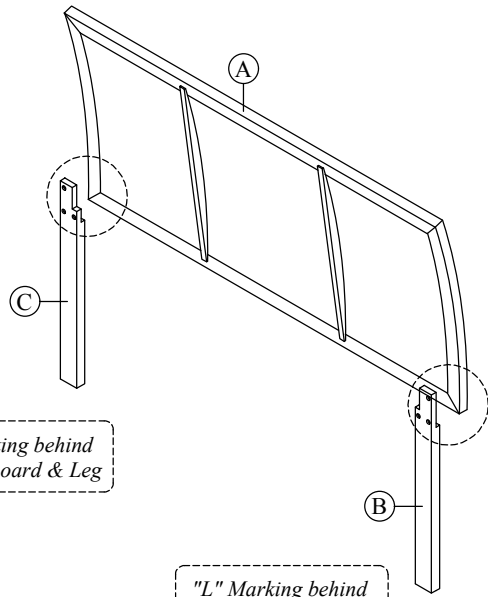
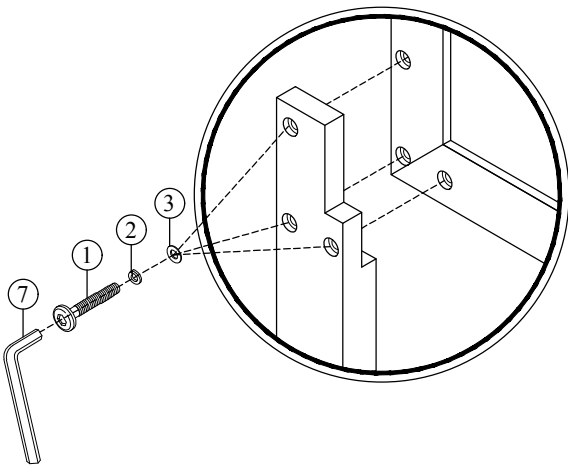
Hardware List		
Headboard & Footboard		
No	Descriptions	Qty
1	JCBC Screw M6 x 30mm 	6
2	Spring Washer Ø 1/4" 	6
3	Flat Washer Ø 1/4" x 13mm 	6
4	CSK M4 x 16mm 	6
5	CSK M4 x 32mm 	30
6	JCBC Screw M6 x 50mm 	3
7	L Key M4 	1
8	L Key M5 	1

Side Rail		
No	Descriptions	Qty
L	Side Rail	2
M	Center Slat With 3 Holes	1

Drawer		
No	Descriptions	Qty
N	Drawer	2

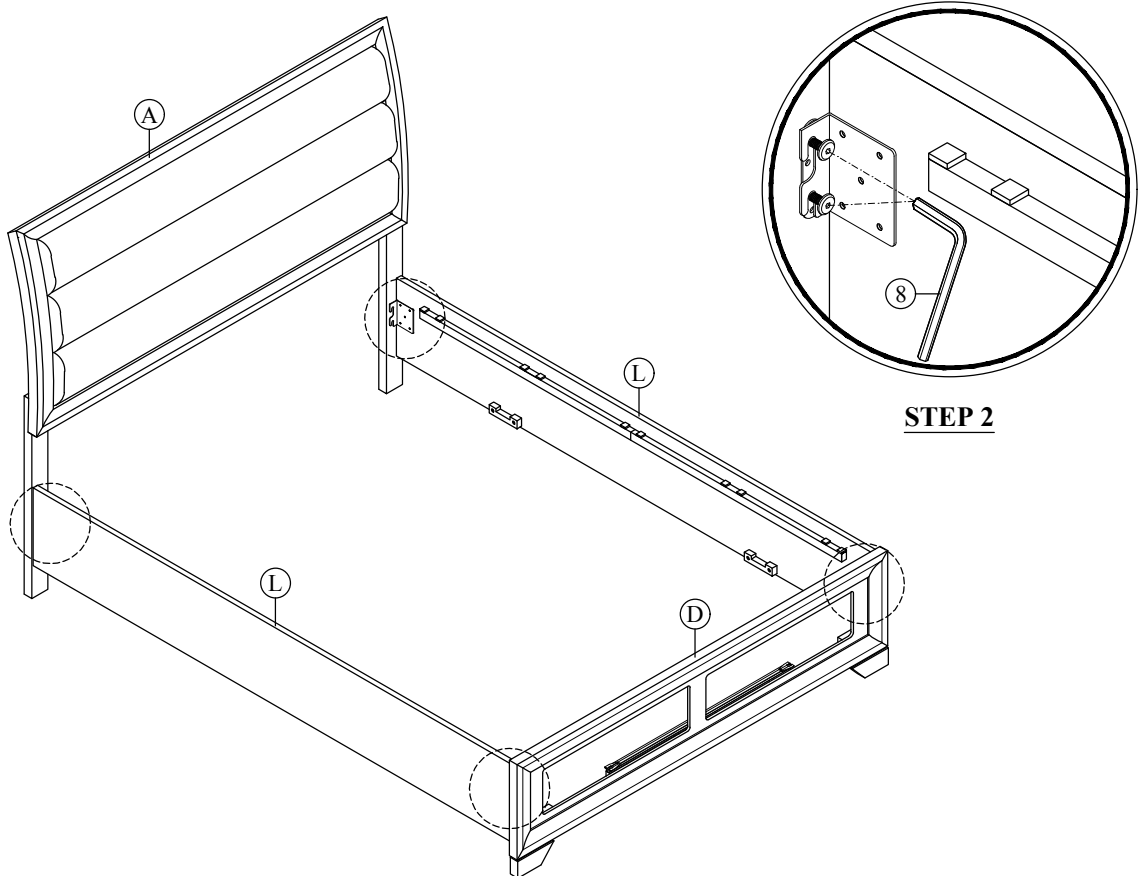


ASSEMBLY INSTRUCTIONS



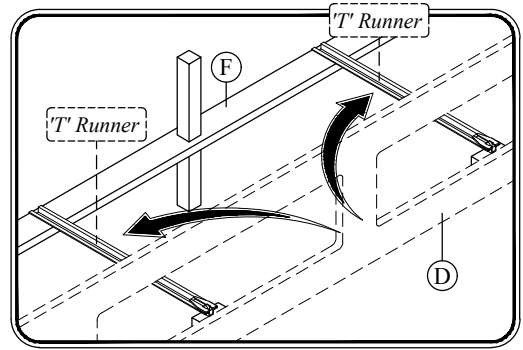
"R" Marking behind
the Headboard & Leg

"L" Marking behind
the Headboard & Leg



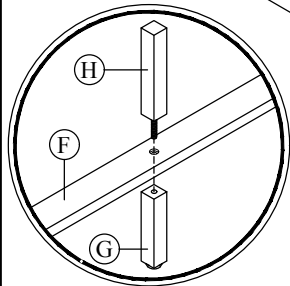
STEP 2

ASSEMBLY INSTRUCTIONS

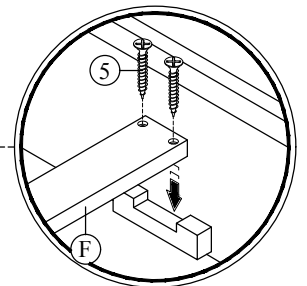


(Turn the 'T' runner towards the drawer slat.)

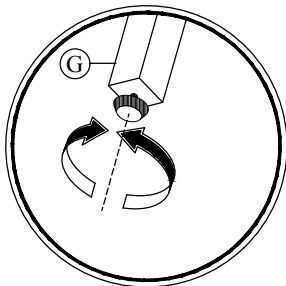
STEP 5



STEP 3

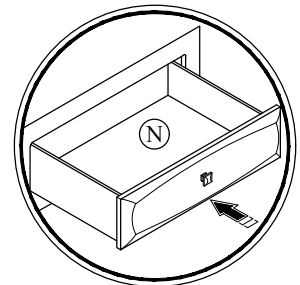


STEP 4

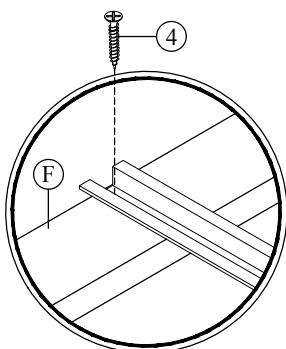


STEP 8

Adjust the adjuster until the drawer closes tightly.



STEP 6



STEP 7

After insert the drawer please fasten the T-Runner on the drawer slat with screw.

ASSEMBLY INSTRUCTIONS

