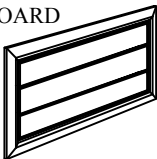
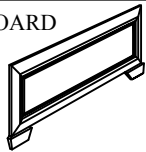
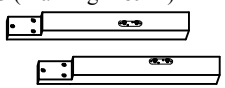
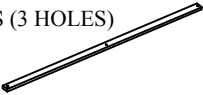
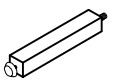
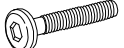



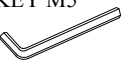
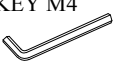
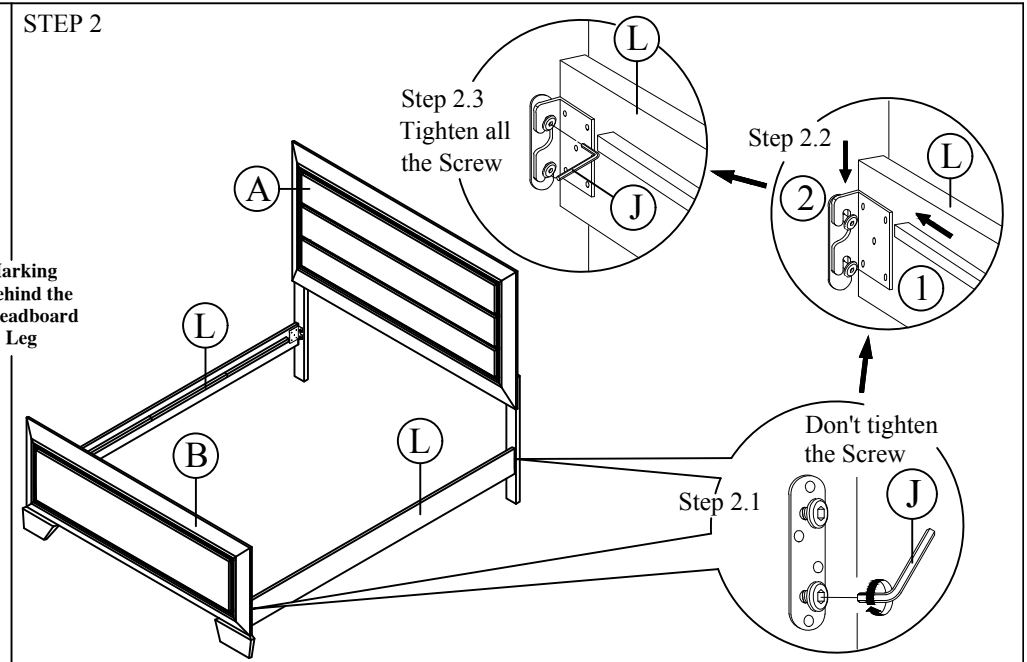
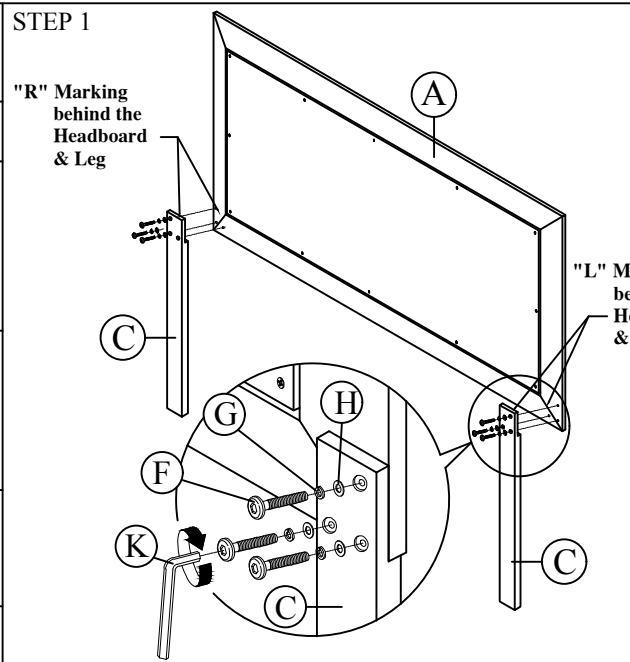
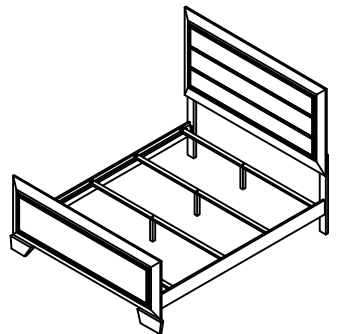


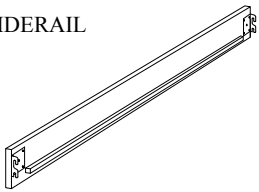
ASSEMBLY INSTRUCTION

MODEL : 26020 QUEEN BED		
REVISION : B		
NO	PART & HARDWARE LIST IN HEADBOARD	QTY.
A	HEADBOARD 	1PC
B	FOOTBOARD 	1PC
C	LEG (Marking L & R) 	2PCS
D	SLATS (3 HOLES) 	4PCS
E	BED SLAT SUPPORT 	4PCS
F	JCBC M6 X 30mm 	6PCS
G	SPRING WASHER $\frac{1}{4}$ " 	6PCS
H	FLAT WASHER $\frac{1}{4}$ " x 13mm 	6PCS
I	CSK M4 x 32mm 	8PCS
J	L KEY M5 	1PC
K	L KEY M4 	1PC



ASSEMBLY COMPLETED !



NO	PART LIST IN SIDERAIL	QTY.
L	SIDERAIL 	2PCS

