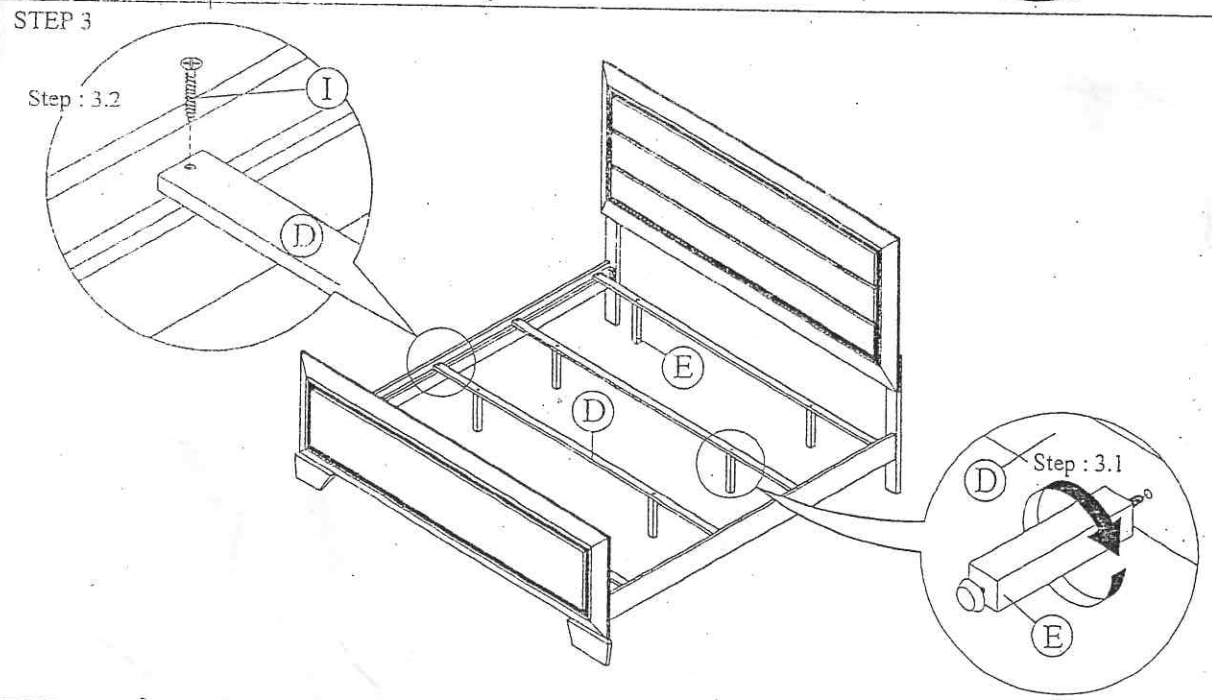
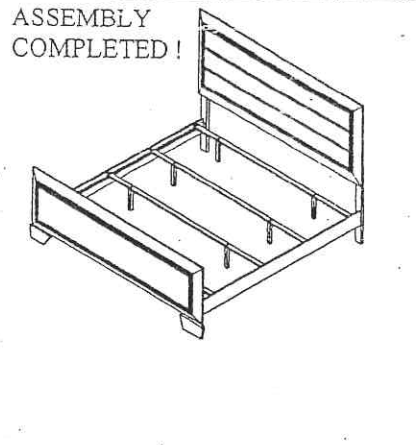
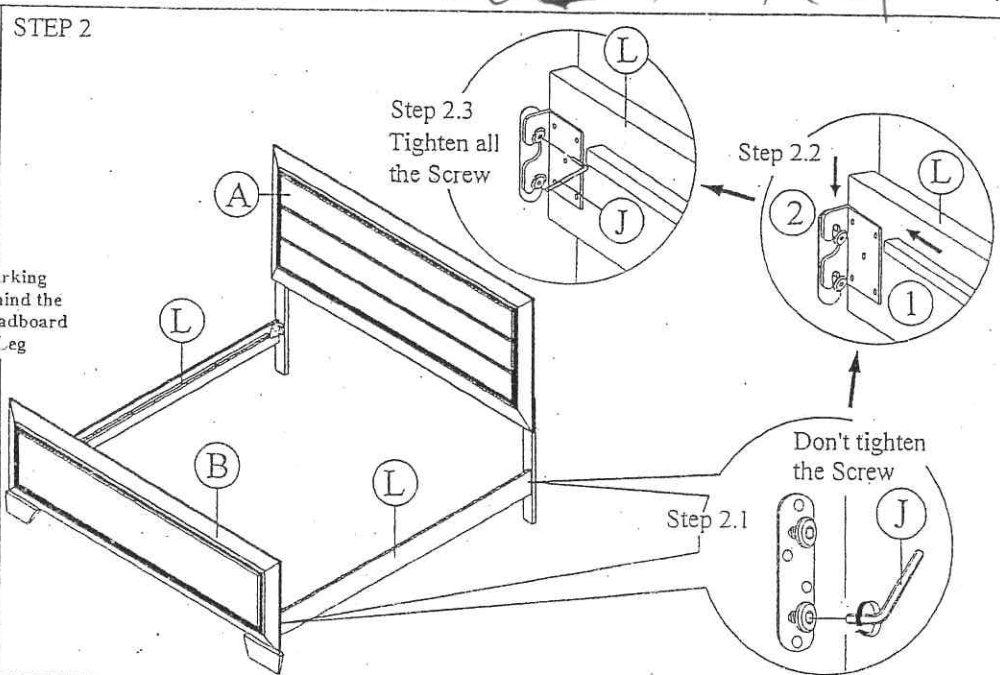
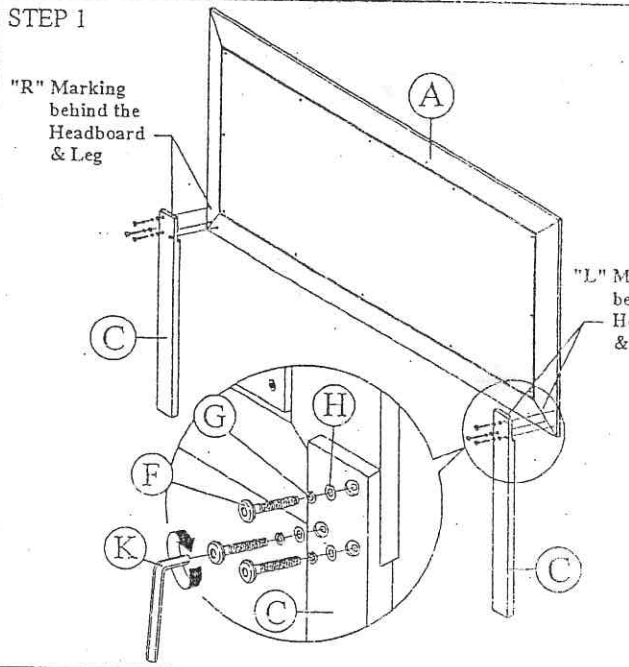


ASSEMBLY INSTRUCTION

2607 FER HF

MODEL : FBKHFR-077A + FBKSRR-077A
REVISION : A

NO	PART & HARDWARE LIST IN HEADBOARD	QTY.
A	HEADBOARD	1PC
B	FOOTBOARD	1PC
C	LEG (Marking L & R)	2PCS
D	SLATS (3 HOLES)	4PCS
E	BED SLAT SUPPORT	8PCS
F	JCBC M6 X 30mm	6PCS
G	SPRING WASHER $\frac{1}{2}$ "	6PCS
H	FLAT WASHER $\frac{1}{4}$ " x 13mm	6PCS
I	CSK M4 x 32mm	8PCS
J	L KEY M5	1PC
K	L KEY M4	1PC



NO	PART LIST IN SIDERAIL	QTY.
L	SIDERAIL	2PCS