

# ASSEMBLY INSTRUCTION FOR ACME FURNITURE

Item No: 25964 Mirror A  
25965 Dresser

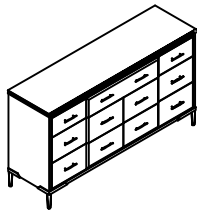


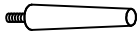
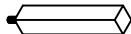
**Read instruction carefully prior for assembly.**

**Thank you for purchasing this product. Be sure to check all packing material carefully for small parts that may have come loose inside the carton during shipment.**





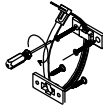
**Remove all components from pack and place on soft surface to prevent scratch during assembly. Identify and count all parts as specified below.**

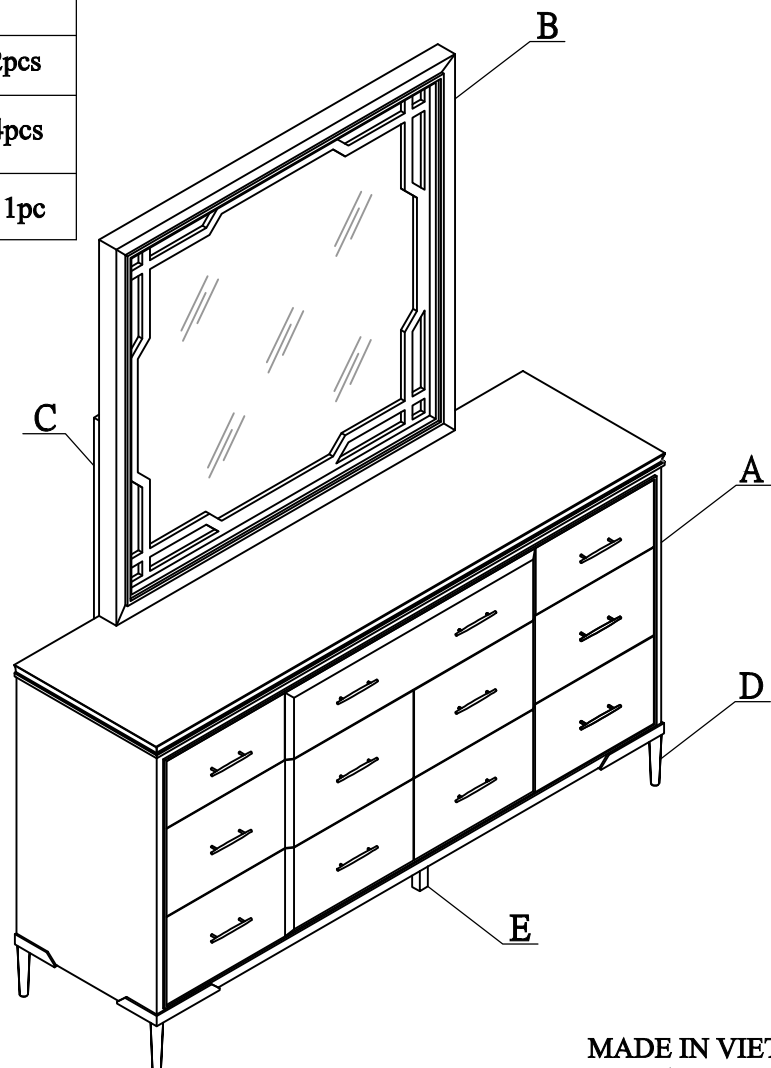
**It is recommended to use two or more persons during the assembly process.**

## PARTS LIST

No.	Description	Sketch	Q'ty
A	Dresser		1pc
B	Mirror		1pc
C	Mirror Support		2pcs
D	Legs		4pcs
E	Support Leg		1pc

## HARDWARE LIST

No.	Description	Sketch	Size	Q'ty
1	Allen Bolt		1/4"*30mm	8pcs
2	Spring Washer		5/16"	8pcs
3	Flat Washer		5/16"*19mm	8pcs
4	Allen Key		4mm	1pc
5	Tipping restraint			1set



# ASSEMBLY INSTRUCTION FOR ACME FURNITURE

Item No: 25964 Mirror A  
25965 Dresser

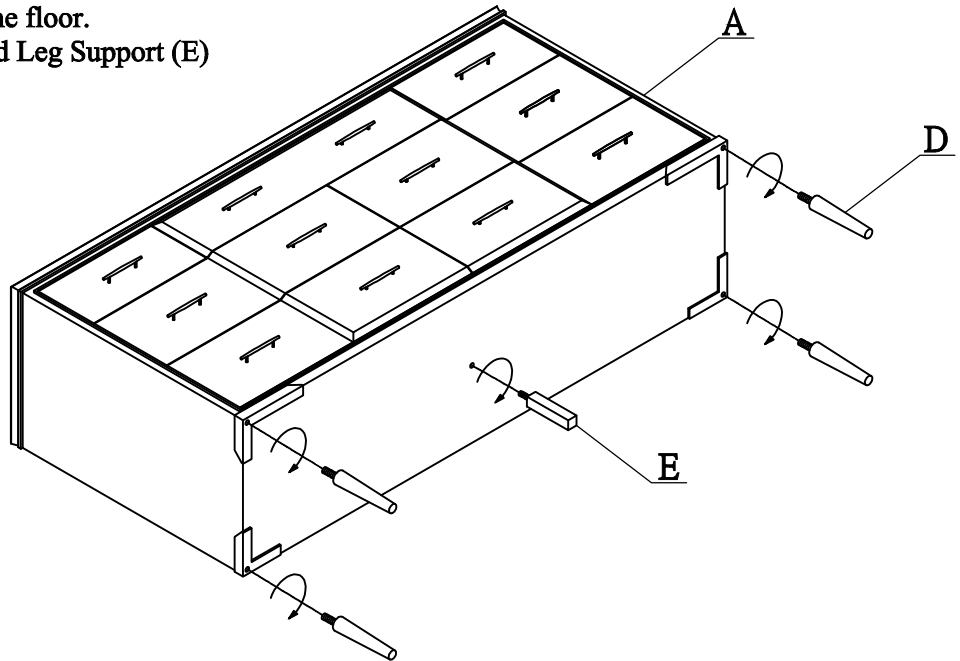
**Read instruction carefully prior for assembly.**

**Thank you for purchasing this product. Be sure to check all packing material carefully for small parts that may have come loose inside the carton during shipment.**

**Remove all components from pack and place on soft surface to prevent scratch during assembly. Identify and count all parts as specified below.**

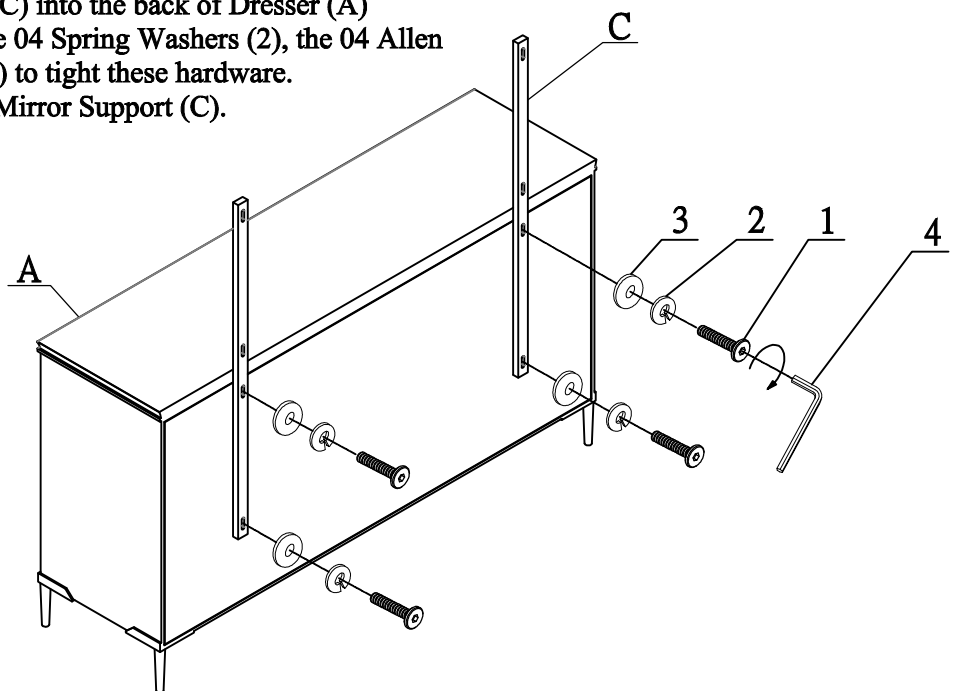
## Step 1

- Put back of Dresser (A) on the floor.
- Assembly the 04 legs (D) and Leg Support (E) into the Dresser (A) by hand.



## Step 2

- Assembly the Mirror Support (C) into the back of Dresser (A) by using 04 Flat Washers (3), the 04 Spring Washers (2), the 04 Allen Bolt (1) and the 01 Allen Key (4) to tight these hardware.
- Doing the same at the Second Mirror Support (C).



# ASSEMBLY INSTRUCTION FOR ACME FURNITURE

Item No: 25964 Mirror A  
25965 Dresser

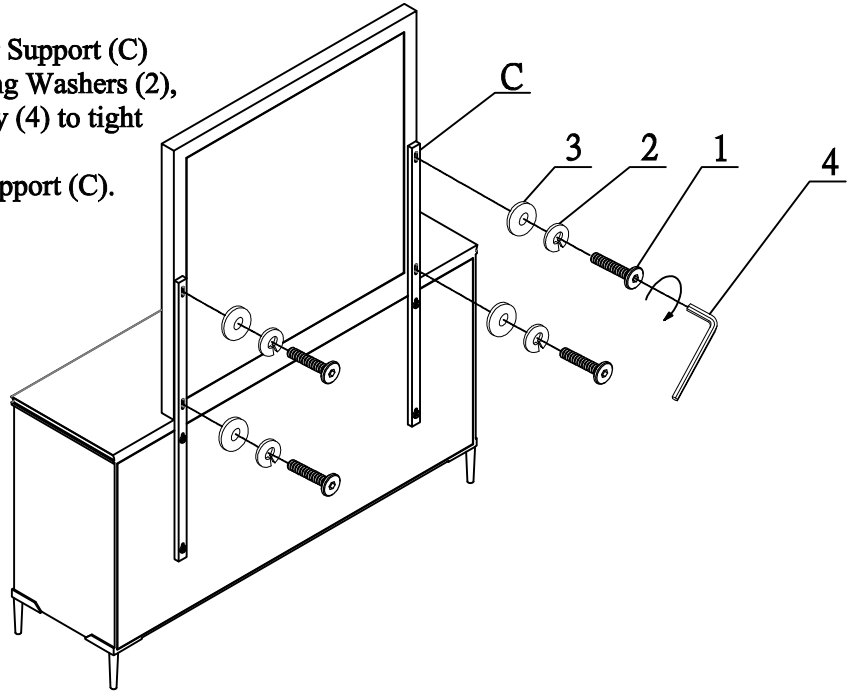
**Read instruction carefully prior for assembly.**

**Thank you for purchasing this product. Be sure to check all packing material carefully for small parts that may have come loose inside the carton during shipment.**

**Remove all components from pack and place on soft surface to prevent scratch during assembly. Identify and count all parts as specified below.**

## Step 3

- Assemble the Mirror (B) into the Mirror Support (C) by using 04 Flat Washers (3), the 04 Spring Washers (2), the 04 Allen Bolt (1) and the 01 Allen Key (4) to tight these hardware.
- Doing the same at the Second Mirror Support (C).



## Step 4

- Attach the tipping restraint (5) to the back of Dresser (A), above the right or left side.

