

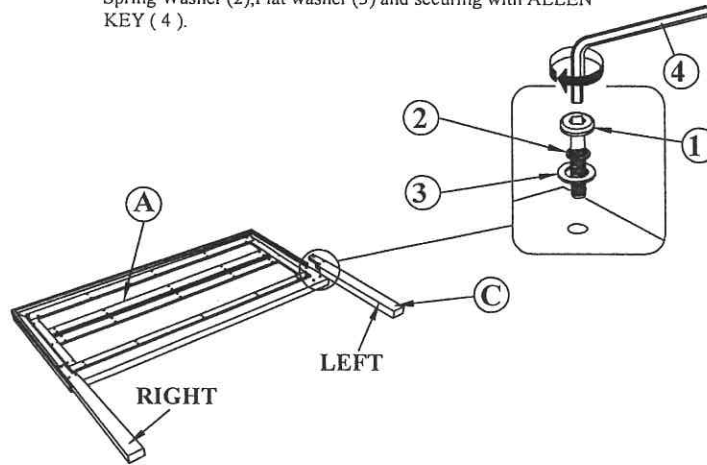
ASSEMBLY INSTRUCTIONS

MODEL : 0138B/0162B
FULL BED

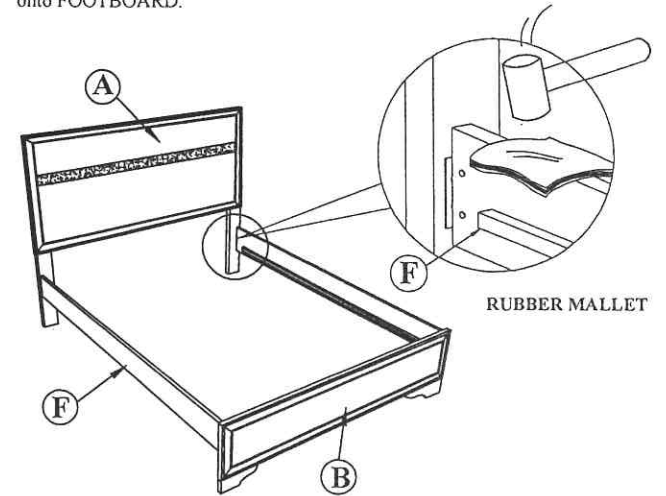
(Box 1)
BOX OF HEADBOARD & FOOTBOARD

No	ITEM	Qty
A	Headboard	1 pc
B	Footboard	1 pc
C	Headboard Leg (L/R)	2 pcs
D	Bed Slats	4 pcs
E	Bed Slats Support 30x30x225mm	4 pcs

STEP 1 : Attach Head Board Leg (C) to Head Board (A) as shown using JCBC BOLT (1) with Spring Washer (2), Flat washer (3) and securing with ALLEN KEY (4).



STEP 2 : Hook SIDE RAIL (F) TO HEAD BOARD closely and push down to fit. repeat step 2 with other end of rail to hook onto FOOTBOARD.



(Box 2)
BOX OF SIDE RAIL

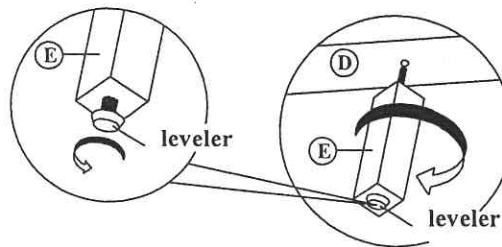
No	ITEM	Qty
F	Side Rail	2 pcs

STEP 2 : Fix the Bed Slat Support Leg (E), to Bed Slat (D) as shown. Install the bed slat (D) to side rail (F) and tighten with Csk Screw (5) as per diagram shown. (NOTE: THE SETUP MUST DONE AT THE DECIDED LOCATION FOR THE BED TO OBTAIN PERFECT STABILITY)

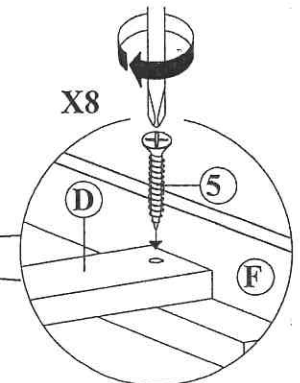
(Box 1)
HARDWARE LIST (HEADBOARD)

No	ITEM	Qty
1	JCBC M6 x 30mm	6 pcs
2	SPRING WASHER 1/4" Rbw	6 pcs
3	Flat Washer 1/4"ID x 13mmOD Blk	6 pcs
4	ALLEN KEY m4x65mm Blk	1 pc
5	CSK M4 x 32mm	8 pcs

STEP 3.2 :



STEP 3.1 :



STEP 3.2 :

Fix Slat (D) flush against Side Rail (F) using screw driver & CSK screw (5).

NOTE : MUST TIGHTEN SCREWS PERIODCALLY.SCREW NATURALLY LOOSEN WITH USE.CHECK TIGHTNESS OF ALL SCREW EVERY 6-8 WEEKS.