

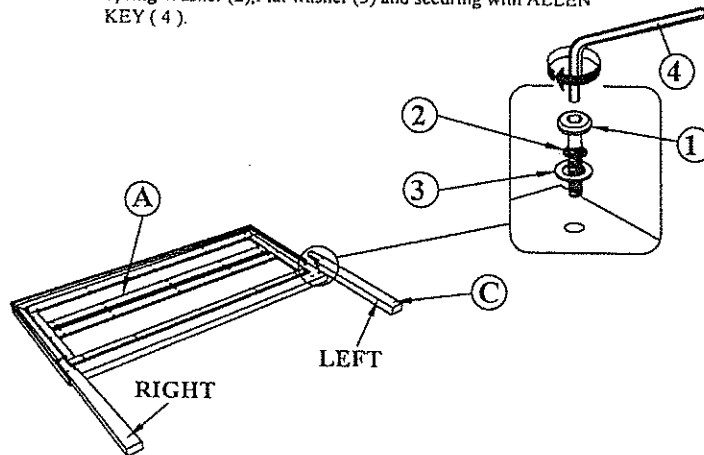
ASSEMBLY INSTRUCTIONS

**MODEL : 0138B/0162B
TWIN BED**

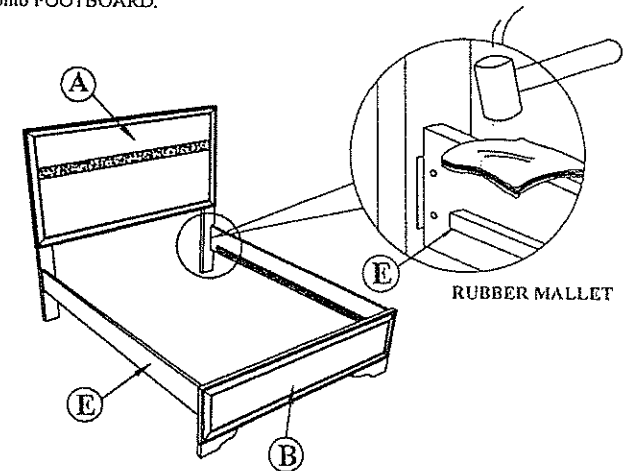
**(Box 1)
BOX OF HEADBOARD & FOOTBOARD**

No	ITEM	Qty
A	Headboard	1 pc
B	Footboard	1 pc
C	Headboard Leg (L/R)	2 pcs
D	Bed Slats	4 pcs

STEP 1 : Attach Head Board Leg (C) to Head Board (A) as shown using JCBC BOLT (1) with Spring Washer (2), Flat washer (3) and securing with ALLEN KEY (4).



STEP 2 : Hook SIDE RAIL (E) TO HEAD BOARD closely and push down to fit. repeat step 2 with other end of rail to hook onto FOOTBOARD.



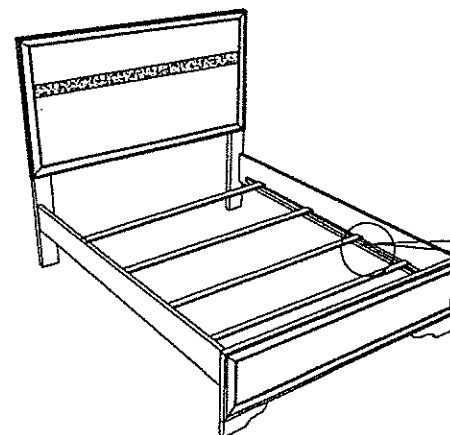
**(Box 2)
BOX OF SIDE RAIL**

No	ITEM	Qty
E	Side Rail	2 pcs

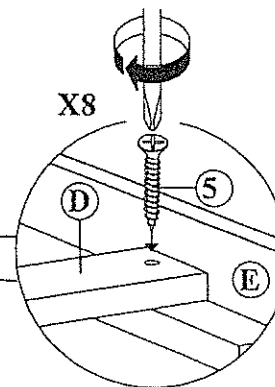
STEP 2 : Install the bed stat (D) to side rail (E) and tighten with Csk Screw (5) as per diagram shown. (NOTE: THE SETUP MUST DONE AT THE DECIDED LOCATION FOR THE BED TO OBTAIN PERFECT STABILITY)

**(Box 1)
HARDWARE LIST (HEADBOARD)**

No	ITEM	Qty
1	JCBC M6 x 30mm	6 pcs
2	SPRING WASHER 1/4" Rbw	6 pcs
3	Flat Washer 1/4" ID x 13mm OD Blk	6 pcs
4	ALLEN KEY m4x65mm Blk	1 pc
5	CSK M4 x 32mm	8 pcs



STEP 3.1 :



STEP 3.2 :

Fix Slat (D) flush against Side Rail (E) using screw driver & CSK screw (5).

NOTE : MUST TIGHTEN SCREWS PERIODCALLY. SCREW NATURALLY LOOSEN WITH USE. CHECK TIGHTNESS OF ALL SCREW EVERY 6-8 WEEKS.