

ASSEMBLY INSTRUCTIONS

MODEL : 0138A
KING STORAGE BED

(Box 1)
HARDWARE LIST (HEADBOARD)

| No | ITEM | Qty |
|----|---------------------|-------|
| A | Headboard | 1 pc |
| B | Footboard | 1 pc |
| C | Headboard Leg (L/R) | 2 pcs |

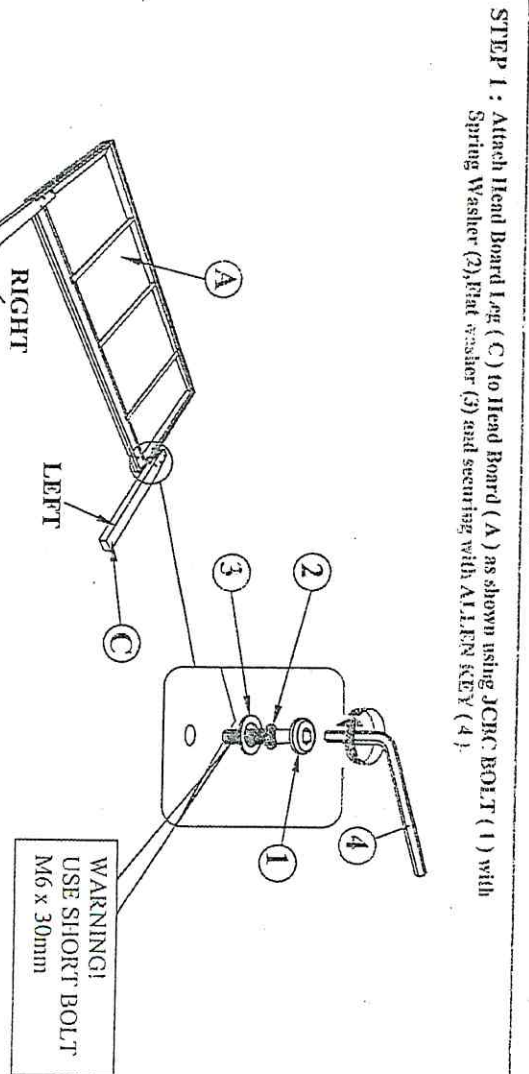
| No | ITEM | Qty |
|----|--------------------------------|-------|
| 1 | JCRC M6 x 30mm | 6 pcs |
| 2 | SPRING WASHER 1/4" Rbw | 6 pcs |
| 3 | Flat Washer 1/4"ID x 13mmOD Bk | 6 pcs |
| 4 | ALLEN KEY m4x65mm Bk | 1 pc |

(Box 2)
HARDWARE LIST (SIDE RAIL)

| No | ITEM | Qty |
|----|--------------------------------|--------|
| 5 | CSK M4 x 32mm | 14 pcs |
| 6 | Pan Head Screw M3.5 x 20 blk | 30 pcs |
| 7 | JCBC M6 x 35mm | 2 pcs |
| 8 | JCBC M6 x 50mm | 9 pcs |
| 9 | SPRING WASHER 1/4" Rbw | 2 pcs |
| 10 | Flat Washer 1/4"ID x 13mmOD Bk | 2 pcs |
| 11 | ALLEN KEY m4x65mm Bk | 1 pc |
| 12 | ALLEN KEY m5x65mm Bk | 1 pc |

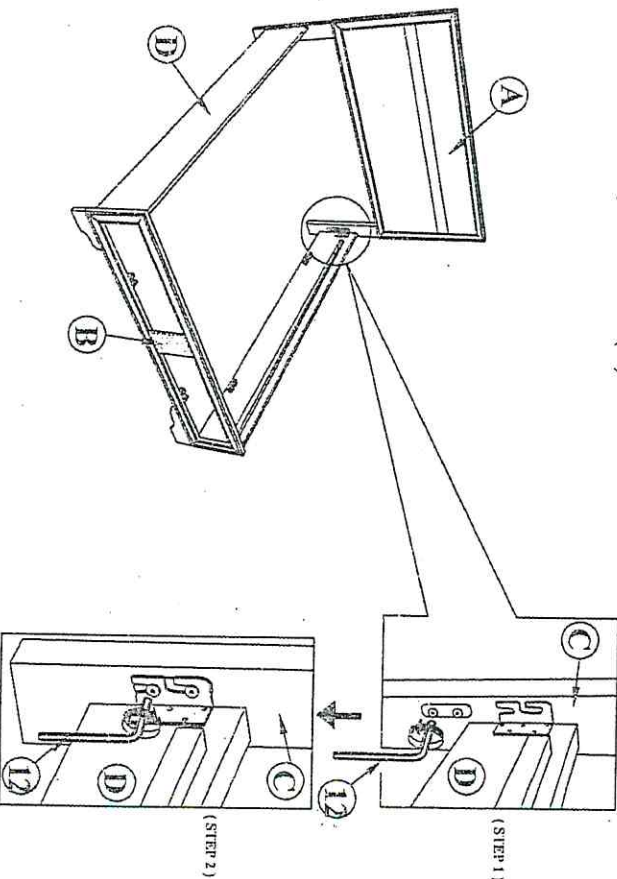
(Box 3)
BOX OF DRAWER

| No | ITEM | Qty |
|----|--------|-------|
| L | Drawer | 2 pcs |



STEP 1 : Attach Head Board Leg (C) to Head Board (A) as shown using JCRB BOLT (1) with Spring Washer (2), Flat washer (3) and securing with ALLEN KEY (4).

STEP 2 : Loosen the JCRB Bolt from Headboard (A) and Footboard (B) using ALLEN KEY (12). Attach the Side Rail (D) to Headboard (A) and Footboard (B) by pushing the bracket down to fit it. Tighten the JCRB Bolt by ALLEN KEY (12).

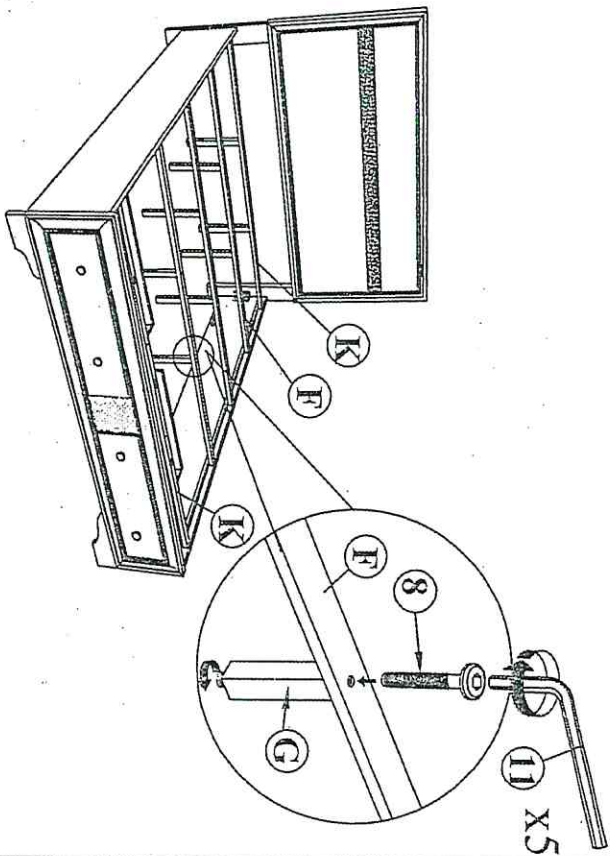


| No | ITEM | Qty |
|----|------------------------|-------|
| D | Side rail | 2 pcs |
| E | Center slat drawer | 1 pc |
| F | Bed slat | 3 pcs |
| G | Bed slat support | 8 pcs |
| H | Drawer slat support | 1 pc |
| I | Concealed panel | 6 pcs |
| J | Drawer support rail | 2 pcs |
| K | Bed slat with markings | 2 pcs |

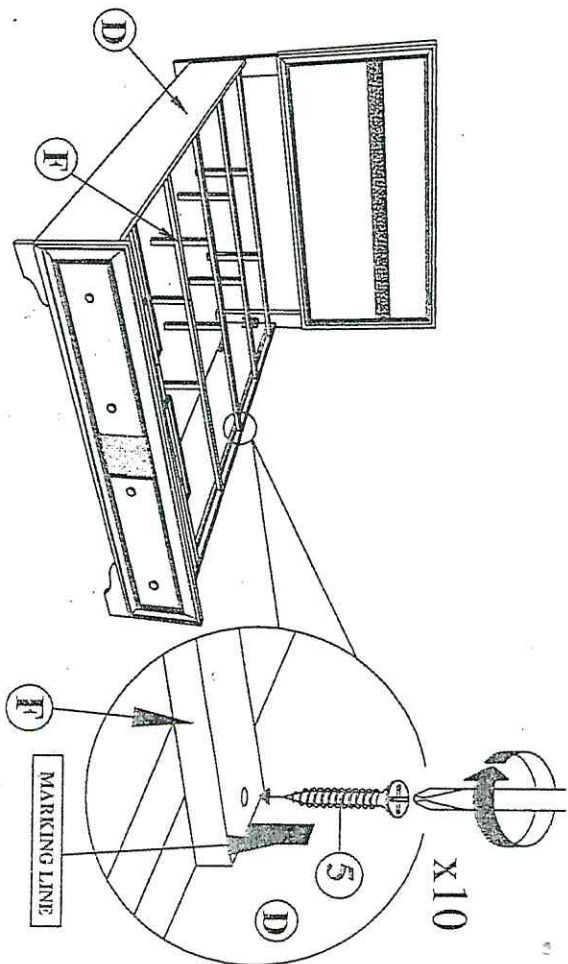
NOTE : MUST TIGHTEN SCREWS PERIODICALLY.SCREW NATURALLY LOOSEN WITH USE.CHECK TIGHTNESS OF ALL SCREW EVERY 6-8 WEEKS.

ASSEMBLY INSTRUCTIONS

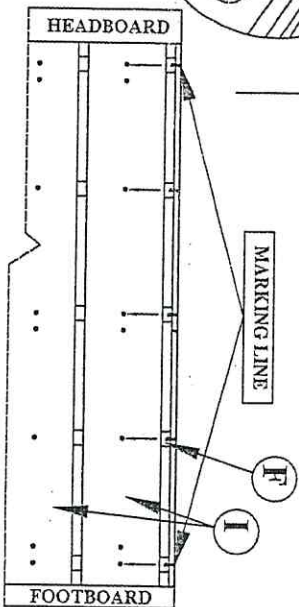
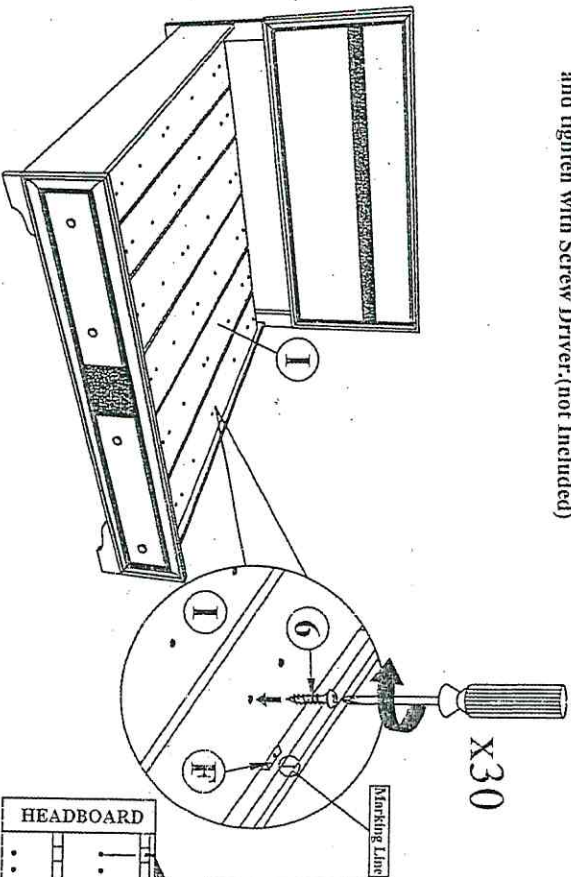
STEP 7 : Fix the Bed Slat Support (G) to the Bed Slat (F) as shown.



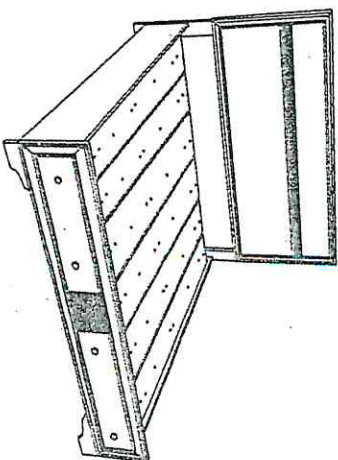
STEP 8 : Fix the Bed Slat (F) & (K) by push closely to the Side Rail (D) by using SCK Screw (5) as shown.



STEP 9 : Attach Concealed Panel (I) at the upper Bed Slat (F) using Panhead Screw (6) and tighten with Screw Driver.(not Included)



TIGHTEN THE PANHEAD SCREW (6) BY FOLLOW THE ARROW AS SHOWN



COMPLETED ASSEMBLY

NOTE : MUST TIGHTEN SCREWS PERIODCALLY.SCREW NATURALLY LOOSEN WITH USE.CHECK TIGHTNESS OF ALL SCREW EVERY 6-8 WEEKS.