

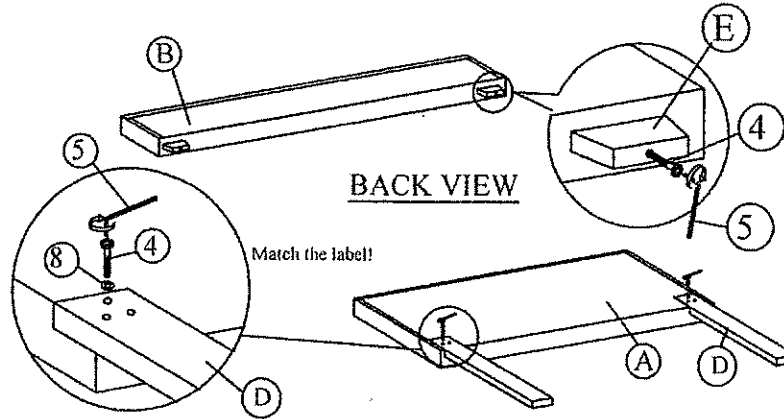
ITEM # 25736T

# Assembly Instruction

CL : 25716T & 25736T & 25756T

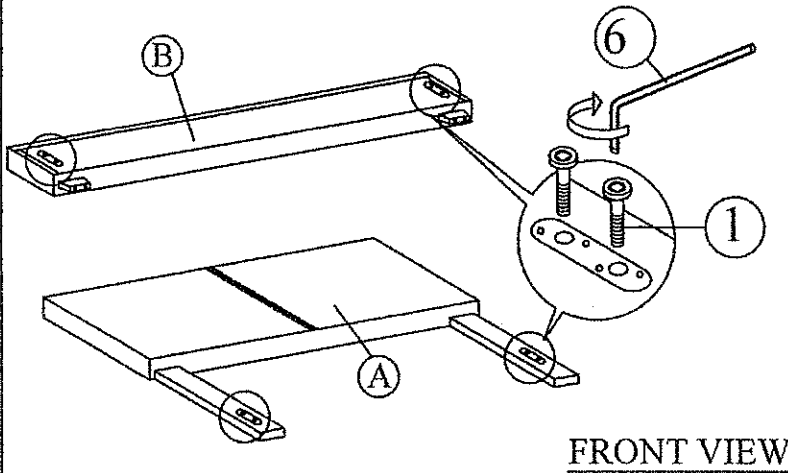
Step 1: Fix the headboard and footboard with legs as shown.

HEADBOARD & FOOTBOARD & SIDE RAIL	
ITEM	QTY
HEADBOARD	1 PC
FOOTBOARD	1 PC
SIDE RAIL	4 PCS
HEADBOARD LEG	2 PCS
FOOTBOARD LEG	2 PCS
SIDE RAIL LEG	2 PCS
SIDE RAIL SUPPORT WOOD	4 PCS
SLAT	4 PCS
SUPPORT LEG	4 PCS

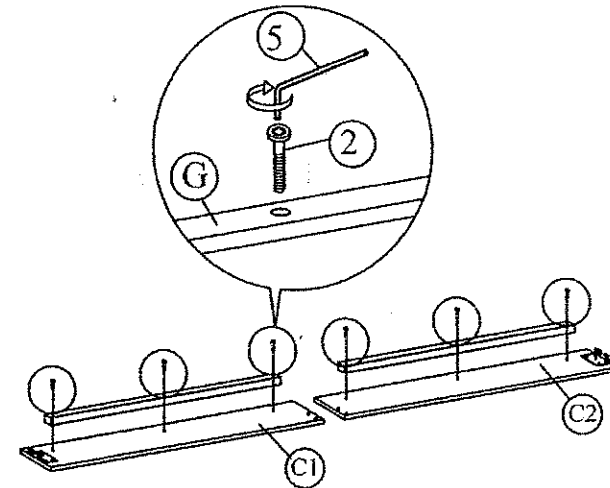


25736

Step 2: Attach the JCBB Bolt (1) to the headboard bracket and footboard bracket.

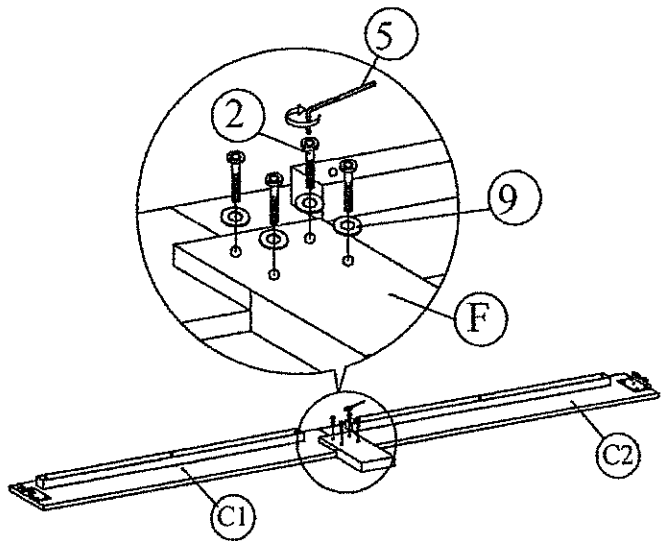


Step 3: Attach the side rail support wood (G) to the side rail (C).

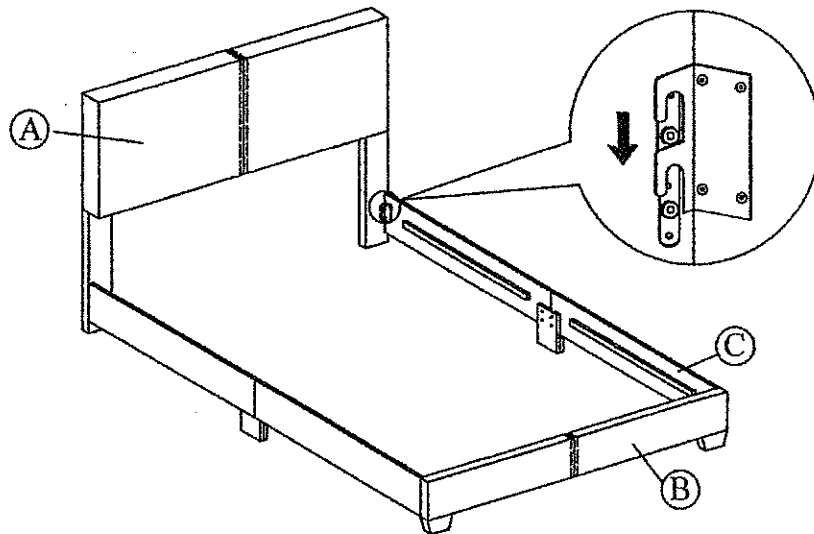


BOLT LIST	
ITEM	QTY
JCBB M6 x 16	8 PCS
JCBB M6 x 20	20 PCS
JCBB M6 x 35	4 PCS
JCBB M6 x 20	8 PCS
Allen Key 10mm	1 PC
Allen Key 5mm	1 PC
CSK Screw 3mm	8 PCS
Spring Washer	6 PCS
Flat Washer	8 PCS

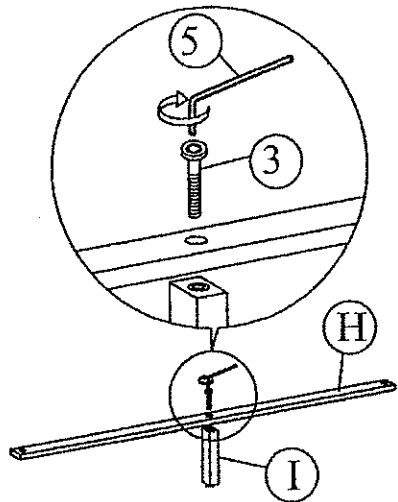
4: Attach the side rail leg (F) to the side rail (C).



Step 5: Attach side rail (C) to headboard (A) and footboard (B) by pushing the bracket down to fit it.



6: Attach the support legs (I) to the slats (H).



Step 7: Tighten the 4 Corner with Allen Key (6). Install the bed slats to side rail. Tighten the slats with CSK screw. The distance of the slats should be sufficient to obtain desirable bed stability.

